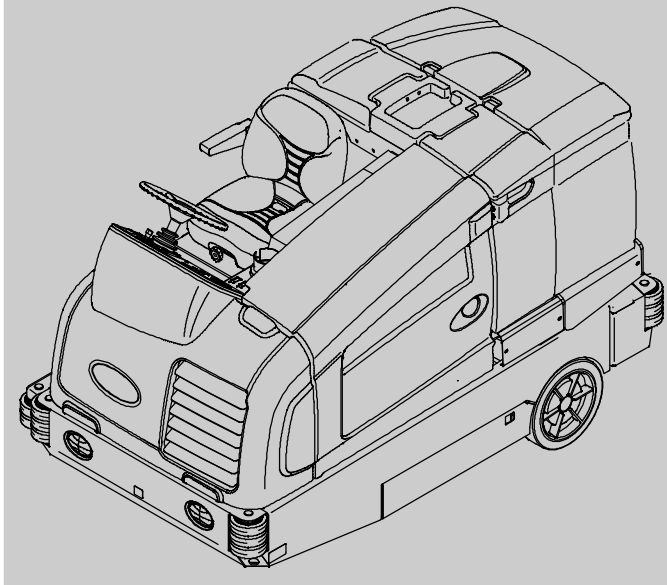




# T20

(Diesel)

## Scrubber-Sweeper Parts Manual



**The Safe Scrubbing Alternative®**

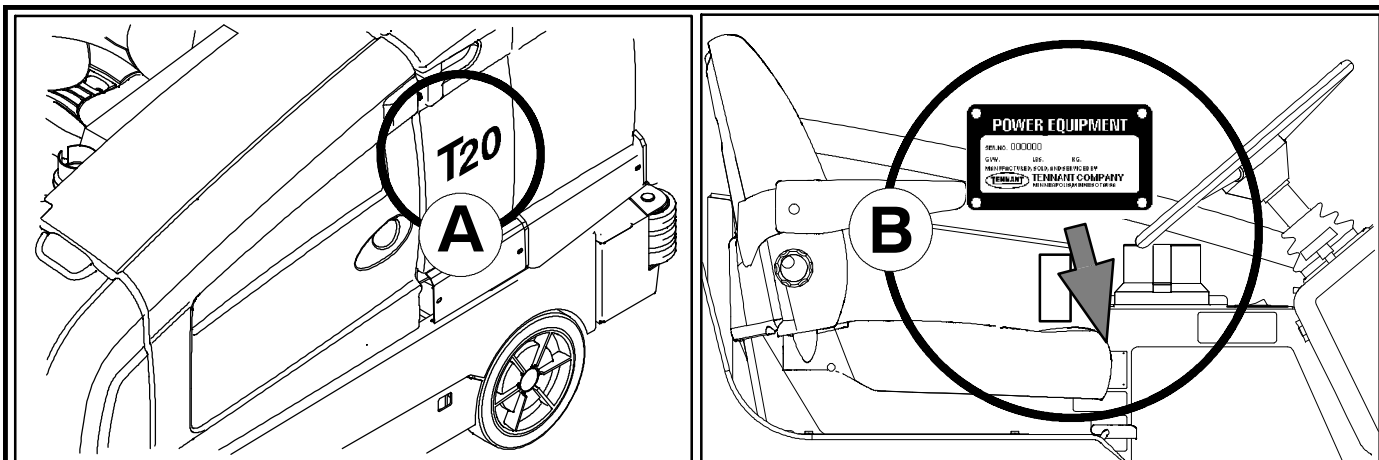
**Hygenic® Fully Cleanable Tanks**  
**FloorSmart™ Integrated Cleaning System**  
**ES® Extended Scrub System**

**North America / International**

[www.tennantco.com](http://www.tennantco.com)

**331501**  
**Rev. 05 (5-2009)**





Ref	Part No.	Serial Number	Description	Qty.
	82681	(000000- )	Bracket W/dt, Lpg Mount	1
	63810	(000000- )	Latch Assy, Lpg Tank Mtg, W/Nut	4
	51839	(000000- )	Nut Adjustable, Lpg Tank Mtg	2
	49263	(000000- )	Tie, Cable	3
	82556	(000000-001039)	Bracket, Vaporizer	1
6	54930	(000000- )	Vaporizer, LPG	1

**HOW TO ORDER PARTS - See diagram above**

Only use TENNANT Company supplied or equivalent parts. Parts and supplies may be ordered online, by phone, by fax or by mail.

Follow the steps below to ensure prompt delivery.

1. **(A)** Identify the machine model.
2. **(B)** Identify the machine serial number from the data plate.
3. **(C)** Ensure the proper serial number is used from the parts list.
4. Identify the part number and quantity. Do not order by page or reference numbers.
5. Provide your name, company name, customer ID number, billing and shipping address, phone number and purchase order number.
6. Provide detail shipping instructions.

**(D)** ▽ - Identifies an assembly  
 ▲ - Identifies parts included in assembly

**EN**

**Please fill out at time of installation for future reference.**

Model No. - \_\_\_\_\_

Serial No. - \_\_\_\_\_

Machine Options - \_\_\_\_\_

Sales Rep. - \_\_\_\_\_

Sales Rep. phone no. - \_\_\_\_\_

Customer ID Number - \_\_\_\_\_

Installation Date - \_\_\_\_\_

**Tennant Company**  
 PO Box 1452  
 Minneapolis, MN 55440  
 Phone: (800) 553-8033 or (763) 513-2850  
 www.tennantco.com

Thermo-Sentry, Touch-N-Go, 1-STEP, Clean-Wedge, Variable Drain Valve, EasyOpen, Grip-N-Go, MaxPro<sup>2</sup>, Dura-Track, SmartRelease, InstantAccess, Duramer, FaST-PAK, ErgoSpace and Lower Total Cost of Ownership are US registered and unregistered trademarks of Tennant Company.

Specifications and parts are subject to change without notice.

Original Information, copyright © 2006 - 2009 TENNANT Company, Printed in U.S.A.

# GENERAL RECOMMENDED MAINTENANCE

## General Recommended Maintenance Items

Ref.	Part No.	Serial Number	Description	Qty.
▽	9003130	(000000-001779 )	Maint Kit, 400hr, Dsl [M20/T20]	1
▲	369746	(000000-001779 )	Element, Fltr, Air [Dn]	1
▲	39703-2	(000000-001779 )	Element, Fltr, Oil, Spin-On [Ku]	1
▲	1017126	(000000-001779 )	Element, Fltr, Fuel [Dn]	1
▲	1023911	(000000-001779 )	Belt, V, 37.5l [3v]	1
▲	31613	(000000-001779 )	Strainer, Hyd, 25 Gpm 100 Mesh	1
▲	1021579	(000000-001779 )	Filter Assy [Pt4 936498]	1
▽	9006060	(001780-	Maint Kit, 400hr, Dsl [M20/T20]	1
▲	369746	(001780-	Element, Fltr, Air [Dn]	1
▲	39703-2	(001780-	Element, Fltr, Oil, Spin-On [Ku]	1
▲	1017126	(001780-	Element, Fltr, Fuel [Dn]	1
▲	31613	(001780-	Strainer, Hyd, 25 Gpm 100 Mesh	1
▲	1021579	(001780-	Filter Assy [Pt4 936498]	1
▲	393244	(001780-	Belt, V, 42.0L [Hc41]	1
	371972	(000000-	Element, Fltr, Oil, Eng, Spin-On	1
	1027290	(000000-	Filter, Soltn, 20mesh, Pm12 3.1d 02.6l	1
	87866	(000000-	Key, Ignition [Set Of 2]	1
	10137	(000000-	Battery, Wet, 12vdc 0475cca	1
	20833	(000000-	Wheel, 3.0d 1.38w 0.50b	2
	1033644	(000000-	Belt, Ribbed, 38.5l	1
	1024586	(000000-	Skirt, Neo, .06, 06.85w 27.95l, 08 Hole	2
	1019295	(000000-	Skirt, Neo, .18, 10.37w 27.95l, 12 H&S	2
	1020166	(000000-	Skirt, Neo, .06, 12.00w 45.88l, 07 Hole	1
	1028433	(000000-	Skirt, Front, Disk Head	1
	1017868	(000000-	Blade, Sqge, Front [Linard]	1
	1031331	(000000-	Blade, Sqge, Rear, Linatex	1
	83874	(000000-	Gasket, Sqge	2
	1031011	(000000-	Blade, Sqge, 37.08l Linatex	2
	1027719	(000000-	Blade, Sqge, Front, 49.59l Pyu	1
	1031945	(000000-	Blade, Sqge, Rear, 53.78L Pyu	1
	1031823	(000000-	Blade, Sqge, .38 3.55w 038.3l, Ure	2
	1027716	(000000-	Squeegee Assy, Sba, Ure	1
	1025005	(000000-	Squeegee Assy, Sba, Linatex	1
	84597	(000000-	Tire Assy, Solid, 18.0x6.0 4.5bc/5bolt	1
	16411	(000000-	Paint, Airdry, Off-White, 12oz	1
	16412	(000000-	Paint, Airdry, Teal, 12oz, Solid	1
	377540	(000000-	Paint, Airdry, Blk, 12oz	1
	377538	(000000-	Paint, Airdry, Gray, 12oz [Enamel]	1
	377537	(000000-	Paint, Airdry, Iron Gray, 12oz[Pwdr Coat]	1



## SECTION 2

Contents	Page
Fig. 1 - Brushes, Replacement, Scrub Head	2-2
Fig. 2 - Brushes, Replacement, Side Brush	2-4
Fig. 3 - Main Frame Group	2-6
Fig. 4 - Operator Station	2-8
Fig. 5 - Operator Station Insulation Group	2-10
Fig. 6 - Instrument Panel Group, Diesel	2-12
Fig. 7 - Seat Group	2-14
Fig. 8 - Steering Group	2-16
Fig. 9 - Front Cover Group	2-18
Fig. 10 - Engine Cover Group	2-20
Fig. 11 - Engine and Mount Group, Diesel	2-22
Fig. 12 - Engine Fuel Tank Group, Diesel	2-26
Fig. 13 - Engine Fuel Line Group, Diesel	2-28
Fig. 14 - Engine Air Cleaner Group, Diesel	2-30
Fig. 15 - Engine Alternator Group, Diesel (000000-001759)	2-32
Fig. 16 - Engine Alternator Group, Diesel (001760- )	2-34
Fig. 17 - Engine Muffler Group, Diesel	2-36
Fig. 18 - Engine Radiator Group, Diesel	2-38
Fig. 19 - Battery and Electrical Group	2-40
Fig. 20 - Wheel Group, Front Drive	2-42
Fig. 21 - Wheel Group, Rear	2-44
Fig. 22 - Brake Pedal Linkage Group	2-46
Fig. 23 - Directional Pedal and Linkage Group, Diesel	2-48
Fig. 24 - Cylindrical Scrub Brush Drive Group, Left Side	2-50
Fig. 25 - Cylindrical Scrub Brush Drive Group, Right Side	2-52
Fig. 26 - Cylindrical Scrub Brush Head Lift Group	2-54
Fig. 27 - Cylindrical Brush Head Skirt Group	2-56
Fig. 28 - Disk Scrub Head Drive Motor Group	2-58
Fig. 29 - Disk Scrub Head Lift Group	2-60
Fig. 30 - Rear Squeegee Lift Group	2-62
Fig. 31 - Cylindrical Scrub Head Debris Tray Mount Group	2-64
Fig. 32 - Cylindrical Scrub Head Debris Tray Group	2-66
Fig. 33 - Squeegee Group, Rear	2-68
Fig. 34 - Squeegee Linkage Group, Rear	2-70
Fig. 35 - Cylindrical Scrub Head Squeegee Group, Right Side	2-72
Fig. 36 - Squeegee Lift Group, Right Side	2-74
Fig. 37 - Cylindrical Scrub Head Squeegee Group, Left Side	2-76
Fig. 38 - Squeegee Lift Group, Left Side	2-78
Fig. 39 - Solution Tank Group	2-80
Fig. 40 - Solution Tank Drain Group	2-84
Fig. 41 - Solution Control Group, Cylindrical Scrub Head	2-86

Contents	Page
Fig. 42 - Solution Control Group, Disk Scrub Head	2-88
Fig. 43 - Recovery Tank Group	2-90
Fig. 44 - Recovery Tank Drain Group	2-92
Fig. 45 - Vacuum Fan Group, Scrubbing	2-94
Fig. 46 - Hydraulic Schematic (000000-001503)	2-96
Fig. 47 - Hydraulic Schematic (001504- )	2-98
Fig. 48 - Hydraulic Hose Group, Steering and Propel	2-100
Fig. 49 - Hydraulic Hose Group, Pump and Vacuum Fan	2-102
Fig. 50 - Hydraulic Hose Group, Cylindrical Brush	2-104
Fig. 51 - Hydraulic Hose Group, Disk Brush	2-106
Fig. 52 - Hydraulic Hose Group, Squeegee Lift	2-108
Fig. 53 - Hydraulic Pumps Group	2-110
Fig. 54 - Hydraulic Cooler and Tubes Group	2-112
Fig. 55 - Hydraulic Reservoir Group	2-114
Fig. 56 - Hydraulic Valves Group	2-116
Fig. 57 - Electrical Schematic (000000-001742)	2-118
Fig. 58 - Electrical Schematic (001743- )	2-122
Fig. 59 - Electrical Schematic, Diesel Engine Harness	2-126
Fig. 60 - Electrical Wire Harnesses Group	2-128
Fig. 61 - Label Group	2-140

Fig. 1 - Brushes, Replacement, Scrub Head

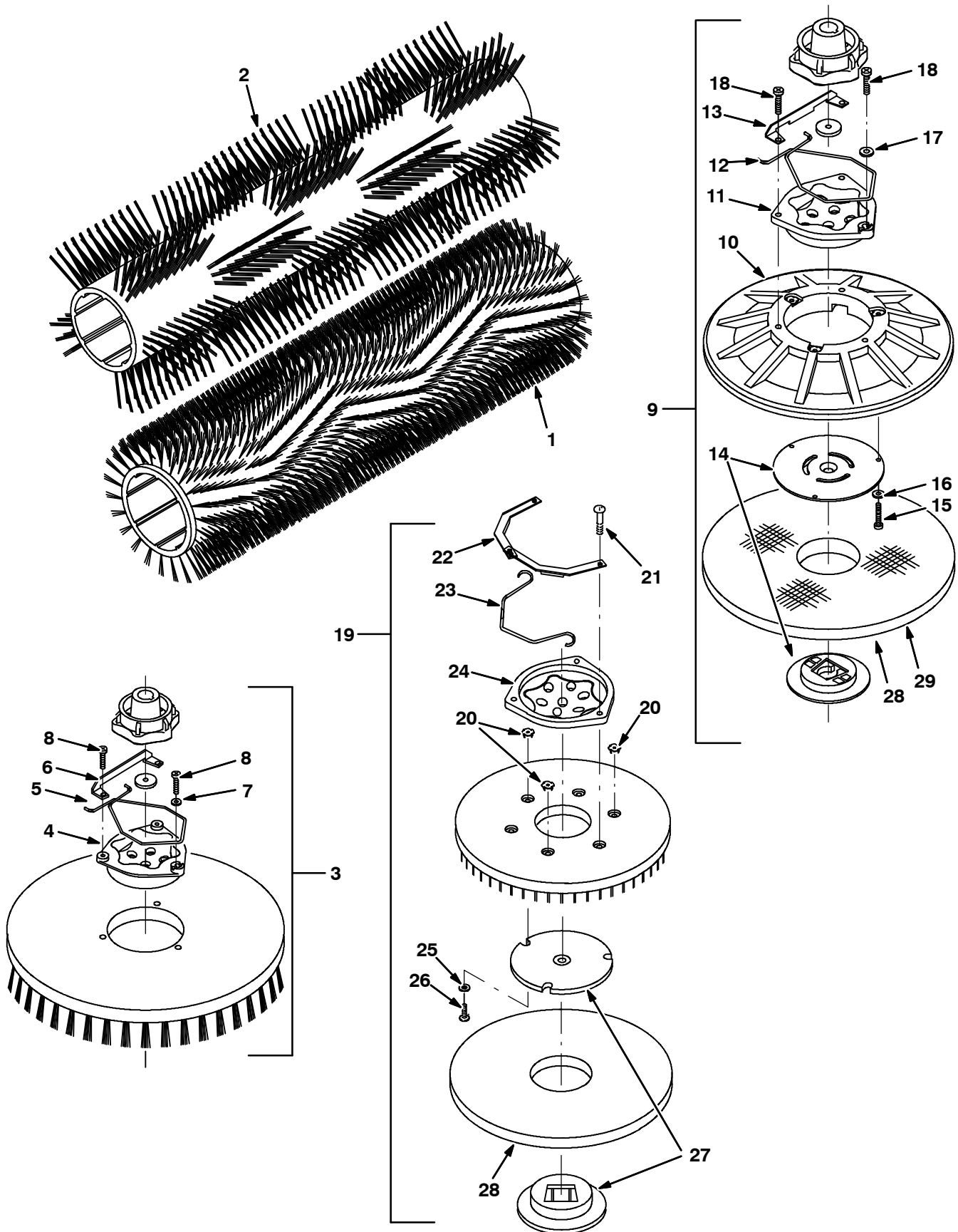


Fig. 1 - Brushes, Replacement, Scrub Head

Ref.	Part No.	Serial Number	Description	Qty.	
1	1026223	(000000-	) Brush, Swp / Scb, 40l, Polypropylene	2	
1	1026222	(000000-	) Brush, Swp / Scb, 40l, Super Abrasive	2	
1	1027697	(000000-	) Brush, Swp / Scb, 40l, Polyester	2	
1	1030969	(000000-	) Brush, Swp / Scb, 40l, Heavy Duty Polypropylene	2	
2	1040524	(000000-	) Brush, Swp / Scb, 40l, Heavy Duty Polypropylene	2	
▽	3	222320	(000000-	) Brush Assy, Disk, Scb, 14.0 D, Polypropylene	3
▲	4	1017368	(000000-	) Hub, Drive, Brush, Disk, 3Hole 5.8Bc	1
▲	5	14838	(000000-	) Spring, Wir, 0.16d, Brush Retaining	1
▲	6	24299	(000000-	) Bracket, Retainer, Spring	1
▲	7	01684	(000000-	) Washer,Flat 0.25, Ss	1
▲	8	32746	(000000-	) Screw, Pan, M6 X 1.0 X 35, Ss	3
▽	3	222321	(000000-	) Brush Assy, Disk, Scb, 14.0 D, Soft Nylon	3
▲	4	1017368	(000000-	) Hub, Drive, Brush, Disk, 3Hole 5.8Bc	1
▲	5	14838	(000000-	) Spring, Wir, 0.16d, Brush Retaining	1
▲	6	24299	(000000-	) Bracket, Retainer, Spring	1
▲	7	01684	(000000-	) Washer,Flat 0.25, Ss	1
▲	8	32746	(000000-	) Screw, Pan, M6 X 1.0 X 35, Ss	3
▽	3	222322	(000000-	) Brush Assy, Disk, Scb, 14.0d, Super Abrasive	3
▲	4	1017368	(000000-	) Hub, Drive, Brush, Disk, 3Hole 5.8Bc	1
▲	5	14838	(000000-	) Spring, Wir, 0.16d, Brush Retaining	1
▲	6	24299	(000000-	) Bracket, Retainer, Spring	1
▲	7	01684	(000000-	) Washer,Flat 0.25, Ss	1
▲	8	32746	(000000-	) Screw, Pan, M6 X 1.0 X 35, Ss	3
▽	9	397914	(000000-	) Driver Assy, Pad, 14.0d	3
▲	10	397974	(000000-	) Disk, Driver, Pad, W/ Face, 14.0d	1
▲	11	15539	(000000-	) Hub, Drive, Brush, Disk, 3hole 5.8bc[6t]	1
▲	12	14838	(000000-	) Spring, Wir, 0.16d, Brush Retaining	1
▲	13	24299	(000000-	) Bracket, Retainer, Spring	1
▲	14	370095	(000000-	) Device, Centering, Clip On, TI [Gf Pp]	1
▲	15	09198	(000000-	) Screw, Pan, M4 X 0.7 X 35, Ss	3
▲	16	41579	(000000-	) Washer, Flat, #08, Ss	3
▲	17	01684	(000000-	) Washer,Flat 0.25, Ss	1
▲	18	32746	(000000-	) Screw, Pan, M6 X 1.0 X 35, Ss	3
▽	19	399249	(000000-	) Driver Assy, Pad, 14 D, Brush	3
▲	20	10908	(000000-	) Nut, T, M4 X 0.70	3
▲	21	32747	(000000-	) Screw, Pan, M6 X 1.0 X 40, Ss	3
▲	22	21852	(000000-	) Bracket, Retainer, Spring	2
▲	23	1028905	(000000-	) Spring, Wir, 0.16d, Brush Retaining [T5]	1
▲	24	1017112	(000000-	) Hub, Drive, Brush, Disk, 3hole 5.8bc	1
▲	25	41579	(000000-	) Washer, Flat, #08, Ss	3
▲	26	04403	(000000-	) Screw, Pan, M4 X 0.7 X 25, Ss, NI	3
▲	27	370095	(000000-	) Device, Centering, Clip On, TI [Gf Pp]	1
	28	222324	(000000-	) Pad, Polish, 14.0d, White [1pad=1pc]	3
	28	222325	(000000-	) Pad, Buff, 14.0d, Red	3
	28	222326	(000000-	) Pad, Scb, 14.0d, Blu [1pad=1pc]	3
	28	222327	(000000-	) Pad, Stripping, 14.0d, Brown [1pad=1pc]	3
	28	1051026	(000000-	) Pad, Surf Prep, 14.0D, Maroon [1Pick=1Pad]	3
	29	370091	(000000-	) Pad, High Productivity Stripping, 14.0d, Blk	3

Fig. 2 - Brushes, Replacement, Side Brush

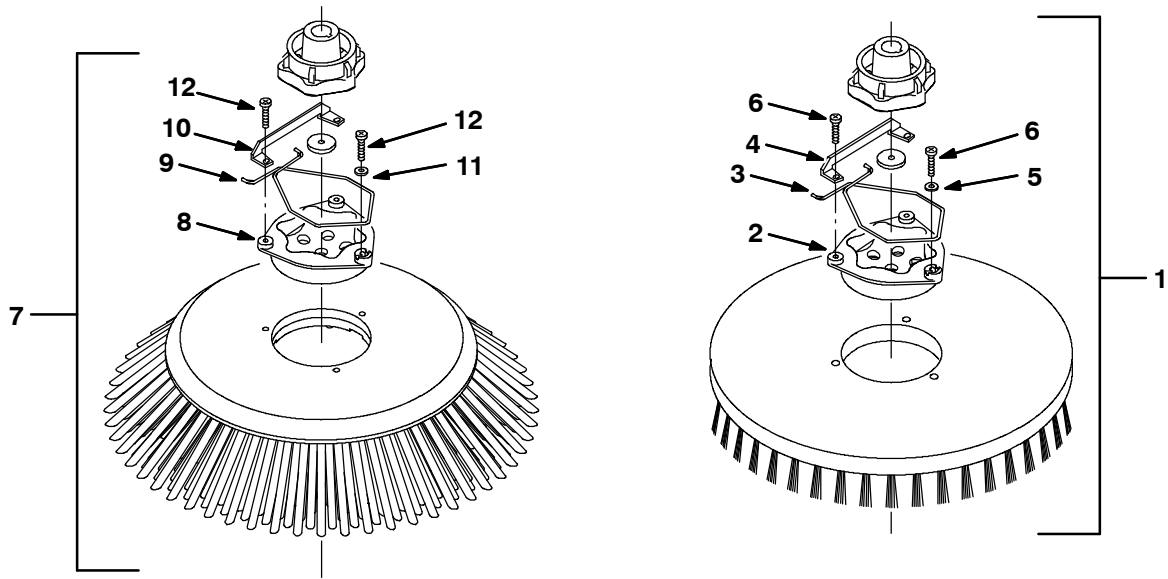




Fig. 2 - Brushes, Replacement, Side Brush

Ref.	Part No.	Serial Number	Description	Qty.
▽	1	1042500	(000000- ) Brush Assy, Disk, Scg, 16.0 D, Polypropylene	1
▲	2	1017368	(000000- ) Hub, Drive, Brush, Disk, 3hole 5.8bc	1
▲	3	14838	(000000- ) Spring, Wir, 0.16d, Brush Retaining	1
▲	4	24299	(000000- ) Bracket, Retainer, Spring	1
▲	5	01684	(000000- ) Washer, Flat, 0.27b 0.69d .05, Ss	1
▲	6	32746	(000000- ) Screw, Pan, Phl, M6 X 1.00 X 35, Ss	3
▽	1	1042504	(000000- ) Brush Assy, Disk, Scg, 16.0 D, Super Abrasive	1
▲	2	1017368	(000000- ) Hub, Drive, Brush, Disk, 3hole 5.8bc	1
▲	3	14838	(000000- ) Spring, Wir, 0.16d, Brush Retaining	1
▲	4	24299	(000000- ) Bracket, Retainer, Spring	1
▲	5	01684	(000000- ) Washer, Flat, 0.27b 0.69d .05, Ss	1
▲	6	32746	(000000- ) Screw, Pan, Phl, M6 X 1.00 X 35, Ss	3
▽	1	1042499	(000000- ) Brush Assy, Disk, Scb, 16.0D, Nyl	1
▲	2	1017368	(000000- ) Hub, Drive, Brush, Disk, 3hole 5.8bc	1
▲	3	14838	(000000- ) Spring, Wir, 0.16d, Brush Retaining	1
▲	4	24299	(000000- ) Bracket, Retainer, Spring	1
▲	5	01684	(000000- ) Washer, Flat, 0.27b 0.69d .05, Ss	1
▲	6	32746	(000000- ) Screw, Pan, Phl, M6 X 1.00 X 35, Ss	3
▽	7	1027688	(000000- ) Brush Assy, Disk, Swp, 24.0D, Polypropylene	1
▲	8	15539	(000000- ) Hub, Drive, Brush, Disk, 3hole 5.8bc[6t]	1
▲	9	14838	(000000- ) Spring, Wir, 0.16d, Brush Retaining	1
▲	10	24299	(000000- ) Bracket, Retainer, Spring	1
▲	11	01684	(000000- ) Washer, Flat, 0.25, Ss	1
▲	12	32746	(000000- ) Screw, Pan, M6 X 1.0 X 35, Ss	3

**Fig. 3 - Main Frame Group**

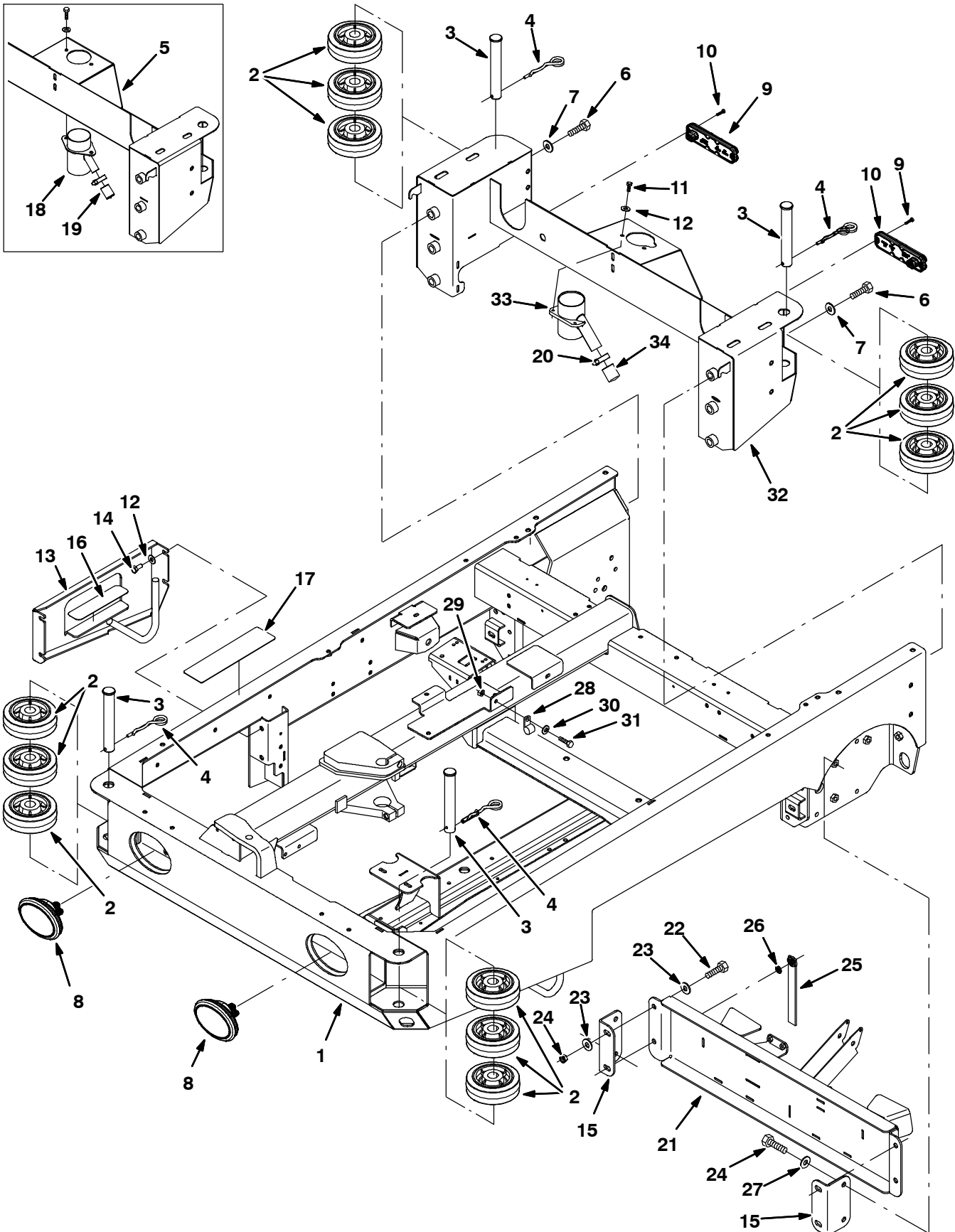


Fig. 3 - Main Frame Group

Ref.	Part No.	Serial Number	Description	Qty.	
1	9002401	(000000-	) Frame Wldt, Main, Replmt [M20 & T20]	1	
2	1021047	(000000-	) Wheel, 06.0d 2.00w 1.19b, Gray Rbr	12	
3	1017672	(000000-	) Pin, Clevis, 30mmd X 200mml	4	
4	761490	(000000-	) Pin, Cotter, Hair, Dbl	4	
5	1026150	(000000-001720	) Bumper Wldt, Rear (Replaced by 9003679)	1	
6	06971	(000000-	) Screw, Hex, M12 X 1.75 X 50, 8.8	6	
7	32493	(000000-	) Washer, Flat, 0.50, Std	6	
▽	8	1019225	(000000-	) Headlight, 12vdc, 27watt, 2.1a, Oval	2
▲		1031826	(000000-	) Lamp, 12vdc [Speaker]	1
▲		1031827	(000000-	) Receptacle, Lamp [Speaker]	1
9	1018208	(000000-	) Light, Tail, 12vdc	2	
10	06928	(000000-	) Screw, Pan, M4 X 0.70 X 20, 4.8	4	
11	09740	(000000-	) Screw, Hex, M8 X 1.25 X 20, Ss	2	
12	01686	(000000-	) Washer, Flat, 0.44b 1.00d .08, Ss	6	
13	1027916	(000000-	) Panel Wldt, Filler	1	
14	12317	(000000-	) Screw, Hex, M10 X 1.5 X 30, Ss	4	
15	1025254	(000000-	) Bracket, Mtg, Sqge, Disk Head (Disk Scrub Head)	2	
16	363458	(000000-	) Tread, Non-Skid, 01.9w 08.0l	1	
17	58819	(000000-	) Tread, Non-Skid, 03.0w 11.6l	1	
18	1027347	(000000-001720	) Coupling, Hose	1	
19	1028253	(000000-001720	) Grip, Handle, 1.0d 1.5l Blk (Disk Scrub Head)	1	
20	11399	(000000-	) Clamp, Hose, Wormdrive, 0.81-1.50d, .50w (Disk Scrub Head)	1	
21	1027269	(000000-	) Crossmember Wldt, Sqge (Disk Scrub Head)	1	
22	77347	(000000-	) Screw, Hex, M10 X 1.5 X 35, Ss (Disk Scrub Head)	4	
23	32492	(000000-	) Washer, Flat, 0.38, Std (Disk Scrub Head)	8	
24	08714	(000000-	) Nut, Hex, Lock, M10 X 1.5, NI, Ss (Disk Scrub Head)	4	
25	71579	(000000-	) Strap, Static, W/Grommet, .19 1.1w 25.0l (Disk Scrub Head)	1	
26	41141	(000000-	) Washer, Lock, Int-Ext, 0.31 (Disk Scrub Head)	1	
27	32493	(000000-	) Washer, Flat, 0.50, Std (Disk Scrub Head)	4	
28	53466	(001036-	) Clamp, Cable, Stl, 1.50d X 1.00w, 1hole	1	
29	08709	(001036-	) Nut, Hex, Lock, M8 X 1.25, NI	1	
30	32491	(001036-	) Washer, Flat, 0.31, Std	1	
31	39277	(001036-	) Screw, Hex, M8 X 1.25 X 25, 8.8	1	
32	1039091	(001721-	) Bumper Wldt, Rear	1	
33	1036240	(001721-	) Tube, Vacuum	1	
34	1038498	(001721-	) Grip, Handle, 1.25D 1.50L Blk	1	

Fig. 4 - Operator Station

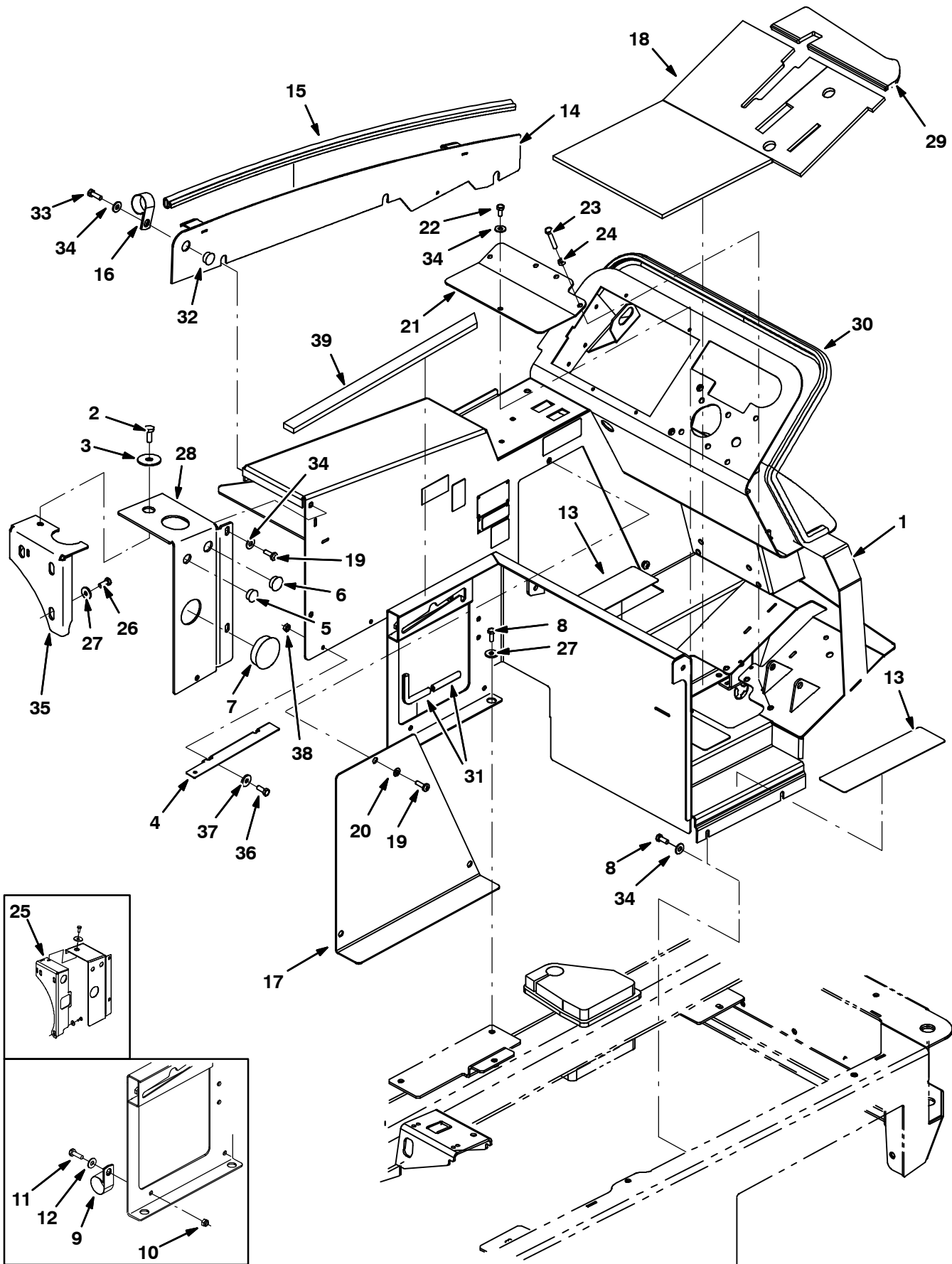


Fig. 4 - Operator Station

Ref.	Part No.	Serial Number	Description	Qty.
1	9002410	(000000-	) Panel Wldt, Dsl, Replmt	1
1	9002382	(000000-	) Panel Wldt, Dsl, Replmt [W/Fast]	1
1	9002383	(000000-	) Panel Wldt, Dsl, W/ Es, Replmt	1
1	9003424	(000000-	) Panel Wldt, Dsl, Replmt, TJ (Japan only)	1
1	9003427	(000000-	) Panel Wldt, Dsl, Replmt, TJ [W/Fast] (Japan only)	1
1	9003430	(000000-	) Panel Wldt, Dsl, Replmt, TJ, W/Es (Japan only)	1
2	39283	(000000-	) Screw, Hex, M10 X 1.5 X 25, 8.8	1
3	04414	(000000-	) Washer, Flat, 0.53b 1.88d .12, Stl, PI	1
4	1047169	(000000-	) Bracket, Mtg, Insulation	2
5	82727	(000000-	) Plug, Hole, Rnd, 0.88h .03-.12, Blk Nyl	1
6	01493	(000000-	) Plug, Hole, Rnd, 1.00h .03-.12, Blk Nyl	1
7	1030017	(000000-	) Plug, Hole, Rnd, 2.50h .03-.25, Blk Nyl	1
8	16931	(000000-	) Screw, Hex, M8 X 1.25 X 20, 8.8	8
9	70157	(000000-001035)	) Clamp, Cable, Ss, 2.50d X 1.00w, 1h	1
10	08709	(000000-001035)	) Nut, Hex, Lock, M8 X 1.25, NI	2
11	39277	(000000-001035)	) Screw, Hex, M8 X 1.25 X 25, 8.8	7
12	32491	(000000-001035)	) Washer, Flat, 0.31, Std	18
13	58819	(000000-	) Tread, Non-Skid, 03.0w 11.6l	4
14	1025435	(000000-001499)	) Panel Wldt, Adj	1
14	1035832	(001500-	) Panel Wldt, Adj [2007]	1
15	1030593	(000000-	) Seal, Afmkt, Bulb, 90, 0.75d F/11ga 08ft	1
16	53466	(000000-	) Clamp, Cable, Stl, 1.50d X 1.00w, 1h	5
17	1021834	(000000-	) Panel, Access, Door	1
18	1027218	(000000-	) Mat, Floor	1
19	1031665	(000000-	) Screw, Pan, M8 X 1.25 X 25, Blk	4
20	39349	(000000-	) Washer, Flat, 0.31 Sae	3
21	1022699	(000000-	) Panel, Access, Floor	1
22	16931	(000000-	) Screw, Hex, M8 X 1.25 X 20, 8.8	4
23	363976	(000000-	) Screw, Hex, M8 X 1.25 X 60, 8.8, FI	1
24	39311	(000000-	) Nut, Hex, Std, M8 X 1.25	1
25	1020540	(000000-001683)	) Bracket Wldt, Mtg, Tank	1
26	09740	(000000-	) Screw, Hex, M8 X 1.25 X 20, Ss	3
27	1017218	(000000-	) Washer, Flat, 0.32b 1.00d .12, Ss	5
28	1033975	(000000-	) Bracket, Mtg	1
29	1027267	(000000-	) Mat, Floor	1
30	1020904	(000000-	) Seal, Panl, Instmt	1
31	1020168	(000000-	) Molding, Afmkt, Trim, Pvc, .08 .11, 1ft	1
32	80288	(002000-	) Plug, Hole, Rnd, 0.81h, Blk	1
33	39277	(000000-	) Screw, Hex, M8 X 1.25 X 25, 8.8	6
34	32491	(000000-	) Washer, Flat, 0.31, Std	17
35	1035997	(001684-	) Bracket Wldt, Mtg, Tank	1
36	06942	(000000-	) Screw, Hex, M6 X 1.00 X 16, 8.8	2
37	32490	(000000-	) Washer, Flat, 0.25, Std	2
38	08708	(000000-	) Nut, Hex, Lock, M6 X 1.00, NI	2
39	1047295	(000000-	) Seal, Foam, 0.50	1

Fig. 5 - Operator Station Insulation Group

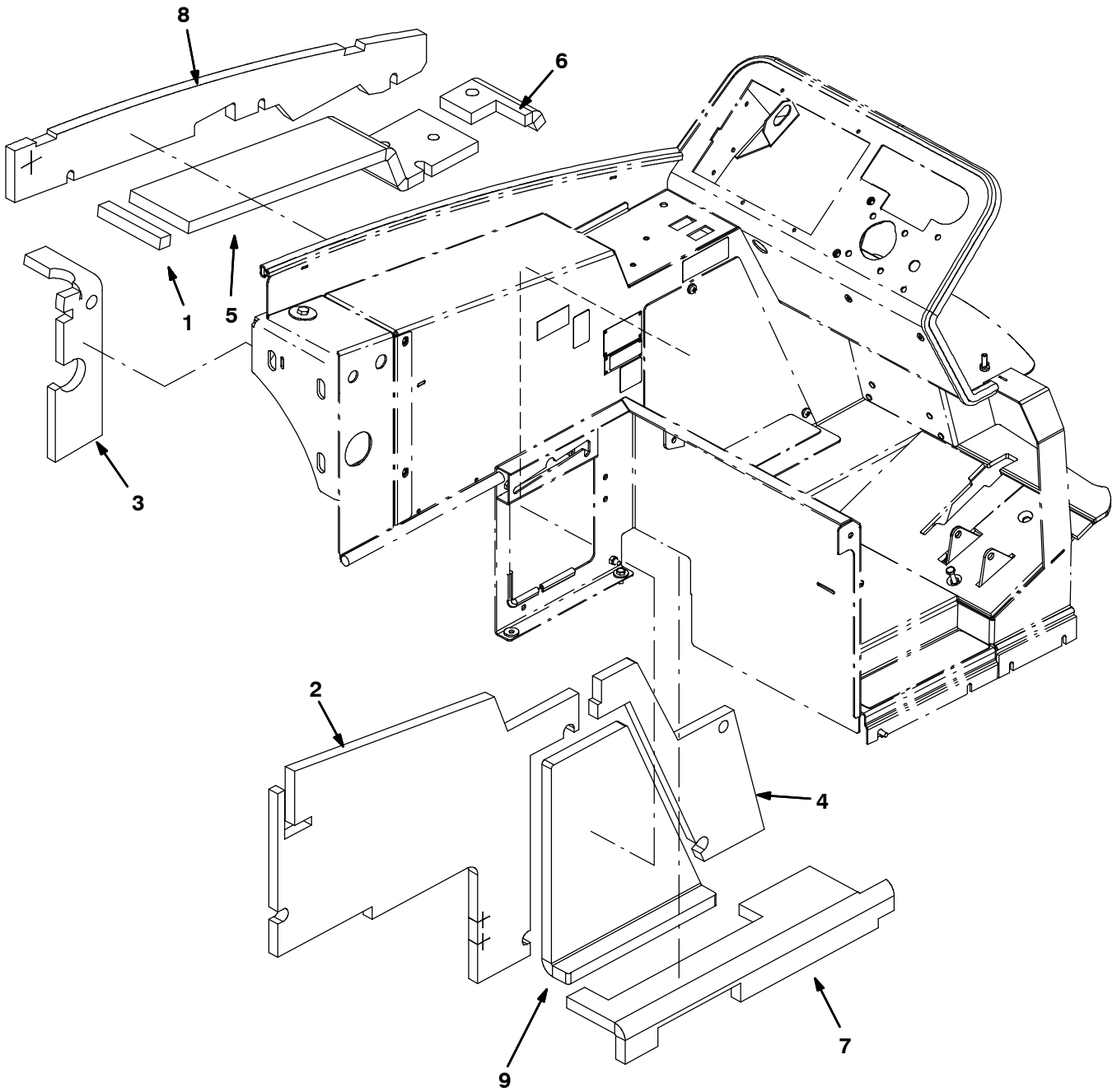


Fig. 5 - Operator Station Insulation Group

Ref.	Part No.	Serial Number	Description	Qty.
1	1034769	(000000-	) Insulation, Flame-retardant, 0.75-0.88	1
2	1034765	(000000-	) Insulation, Flame-retardant, 0.75-0.88	1
3	1040841	(000000-	) Insulation, Flame-Retardant, 0.75-0.88	1
4	1023464	(000000-	) Insulation, Flame-Retardant, 0.75-0.88	1
5	1034764	(000000-	) Insulation, Flame-retardant, 0.75-0.88	1
6	1034766	(000000-	) Insulation, Flame-retardant, 0.75-0.88	1
7	1034768	(000000-	) Insulation, Flame-retardant, 0.75-0.88	1
8	1034770	(000000-	) Insulation, Flame-retardant, 0.75-0.88	1
9	1023569	(000000-	) Insulation, Flame-Retardant, 0.75-0.88	1

Fig. 6 - Instrument Panel Group, Diesel

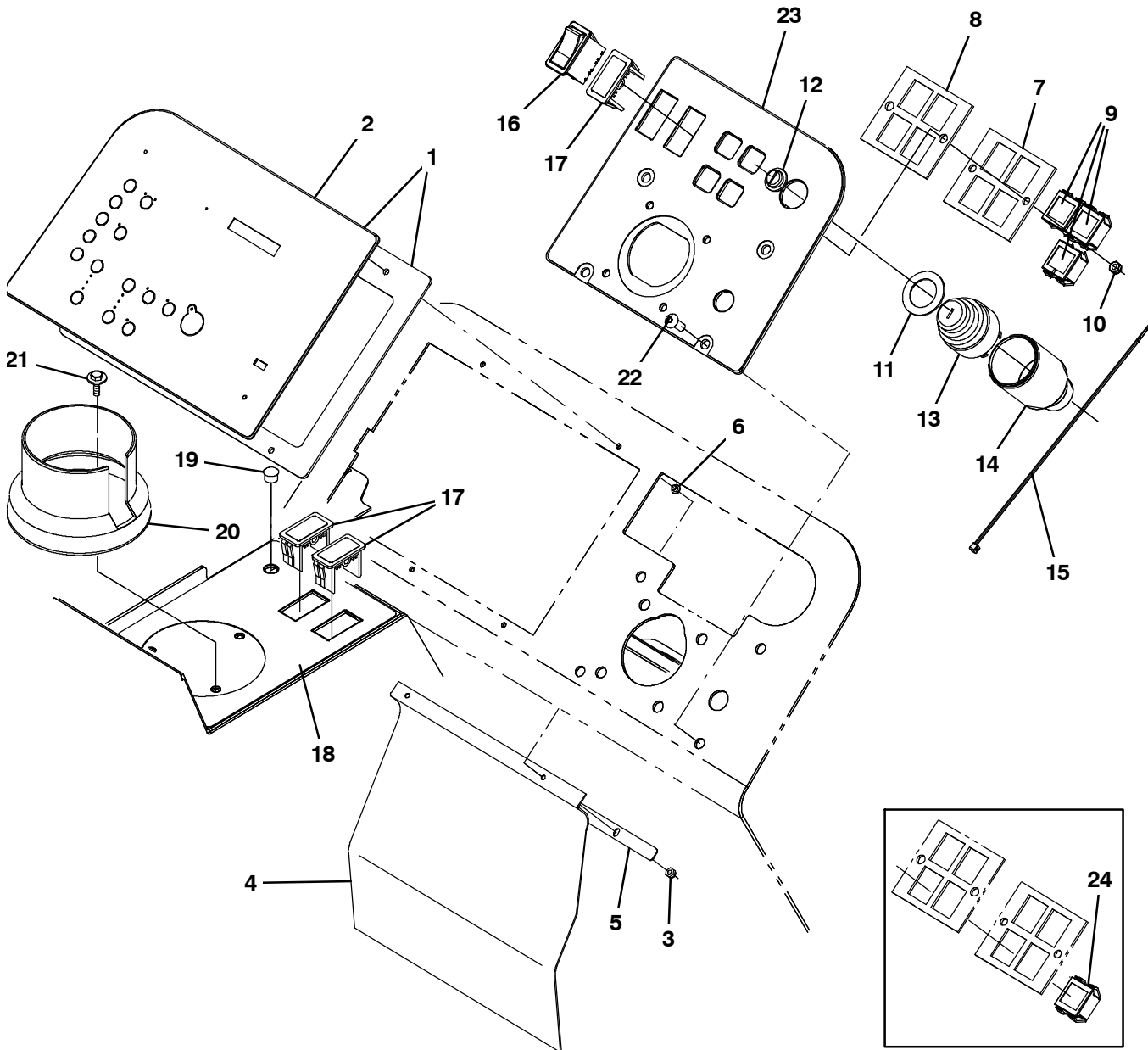




Fig. 6 - Instrument Panel Group, Diesel

Ref.	Part No.	Serial Number	Description	Qty.
▽	1	9002436	(000000- ) Panel Kit, Instmt, Replmt [T20]	1
▲	2	9002437	(000000- ) Label Kit, Panel, Replmt [T20]	1
	3	16968	(000000- ) Nut, Hex, Lock, #08-32, NI	4
	4	1028769	(000000- ) Flap, Battery	1
	5	1028772	(000000- ) Bar, Flat, Ss, .06 X .50 X 10.0l 2/.19sl	1
	6	1029362	(000000- ) Washer, Shld, Nyl [8-32]	4
	7	361071	(000000- ) Plate, Mtg, Light	1
	8	361073	(000000- ) Seal, Rbr, Clsd, 0.13, Instmt Panl	1
	9	361075	(000000- ) Light, Panl, 14vdc, , 1.1 X 1.0	3
	10	08712	(000000- ) Nut, Hex, Lock, M6 X 1.0, Ss, NI	2
	11	73736	(000000- ) Washer, Flat, 1.15b 1.75d .08, Stl	1
	12	382516	(000000- ) Boot, .63id .29l .90w	1
▽	13	87536	(000000- ) Switch, Ignition [Ku]	1
▲		87866	(000000- ) Key, Ignition [Set Of 2]	1
	14	383165	(000000- ) Boot, Switch, Ignition	1
	15	49266	(000000- ) Tie, Cable, Nyl, 07.3l .19w 1.8 Max D	2
	16	392171	(000000- ) Switch, Rocker, Dpdt On/Off/On	1
	17	398501	(000000- ) Plug, Hole, Rt, Rocker Switch, .87 X 1.7	3
	18	1027284	(000000- ) Label, Switch, Rocker [T20]	1
	19	56992	(000000- ) Plug, Hole, Rnd, 0.50h .03-.12, Blk Nyl	1
	20	223599	(000000- ) Cup Holder, Rwk	1
	21	1036892	(000000- ) Screw, Hex, M6 X 1.00 X 25, 9.8 Sems	3
	22	1031665	(000000- ) Screw, Pan, M8 X 1.25 X 25, Blk	4
	23	9004880	(000000- ) Panel, Instmt, Rh, Gas, Replmt	1
	23	9002391	(000000- ) Panel, Instmt, Rh, Lpg, Replmt	1
	23	9002392	(000000- ) Panel, Instmt, Rh, Lpg, Replmt, CE/TJ (Japan only)	1
	24	361075	(000000-001997 ) Light, Panl, 14vdc, , 1.1 X 1.0	1

Fig. 7 - Seat Group

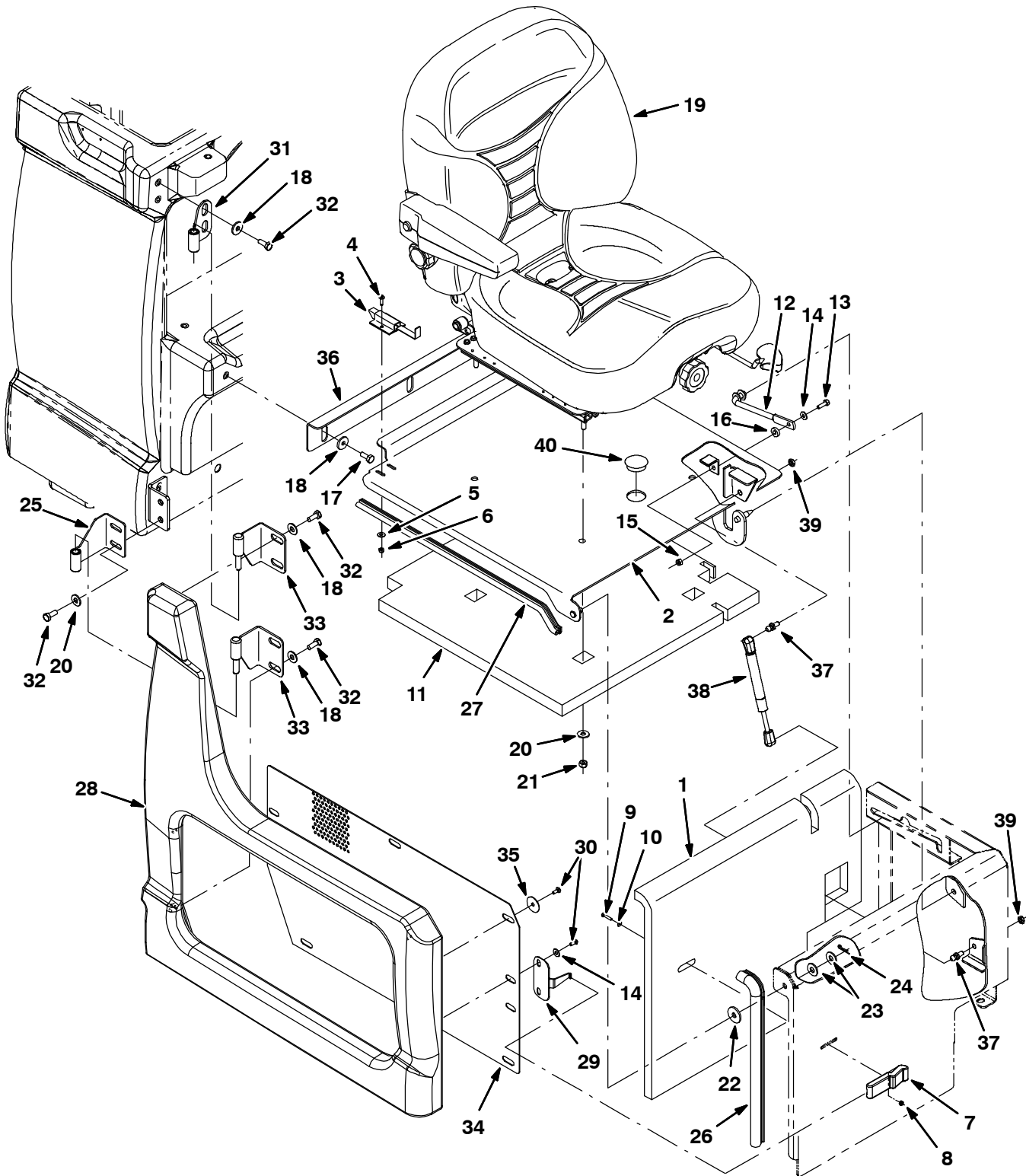


Fig. 7 - Seat Group

Ref.	Part No.	Serial Number	Description	Qty.
1	1034767	(000000-	) Insulation, Flame-retardant, 0.75-0.88	1
2	1019228	(000000-	) Plate Wldt, Seat	1
3	1025736	(000000-	) Latch	1
4	09252	(000000-	) Screw, Hex, M5 X 0.8 X 20, 8.8	2
5	19066	(000000-	) Washer, Flat, #10	2
6	06549	(000000-	) Nut, Hex, Lock, M5 X 0.8, NI	2
7	49800	(000000-	) Latch	1
8	02850	(000000-	) Nut, Hex, Lock, M4 X 0.7, NI	4
9	06929	(000000-	) Screw, Pan, M4 X 0.7 X 25, 4.8	4
10	19065	(000000-	) Washer, Flat, #08	2
11	1023499	(000000-	) Insulation, Flame-Retardant, 1.0	1
12	223080	(000000-	) Arm Wldt, Safety, Sppt, Seat, .38d 06.5d	1
13	06943	(000000-	) Screw, Hex, M6 X 1.0 X 20, 8.8	1
14	32483	(000000-	) Washer, Flat, 0.25 Sae	9
15	08708	(000000-	) Nut, Hex, Lock, M6 X 1.0, NI	1
16	21851	(000000-	) Spacer, Plstc, Ny	1
17	09740	(000000-	) Screw, Hex, M8 X 1.25 X 20, Ss	3
18	1017218	(000000-	) Washer, Flat, 0.32b 1.00d .12, Ss	11
19	1022105	(000000-	) Seat, Suspension, W/1 Arm And Belt	1
20	32491	(000000-	) Washer, Flat, 0.31, Std	6
21	32983	(000000-	) Nut, Hex, Lock, .31-18, NI	4
22	364749	(000000-	) Washer, Flat, 0.41b 1.25d .12, Pye	1
23	32492	(000000-	) Washer, Flat, 0.38 Std	2
24	08085	(000000-	) Pin, Cotter, Hair, 0.31d .058 Wir	1
25	1024138	(000000-	) Hinge Wldt, Door	1
26	1030588	(000000-	) Seal, Afmkt, Bulb, 90, 0.75d F/11ga 02ft	1
27	1031206	(000000-	) Seal, Afmkt, Bulb, 90, 0.50d, 02ft	1
28	1018776	(000000-	) Shroud, Seat	1
29	1026825	(000000-	) Bracket, Latch, Shrd, Seat	1
30	09200	(000000-	) Screw, Pan, M5 X 0.8 X 12, Ss	8
31	1024464	(000000-	) Hinge Wldt, Shrd, Rh	1
32	16931	(000000-	) Screw, Hex, M8 X 1.25 X 20, 8.8	10
33	1024425	(000000-	) Hinge Wldt, Shrd, Rh	2
34	1025916	(000000-	) Grill, Side	1
35	41178	(000000-	) Washer, Flat, 0.25 Fendr	6
36	1020487	(000000-	) Bracket, Seat, Adj	1
37	58494	(001014-	) Stud, Ball, .39d .31-16, Gasspring	2
38	368391	(001014-	) Gasspring, 180lb, 03.0strk	1
39	01760	(001014-	) Nut, Hex, Lock, .31-18, NI, Thin	2
40	76888	(001998-	) Plug, Hole, Rnd, 1.25H .03-.12, Blk Nyl	1

Fig. 8 - Steering Group

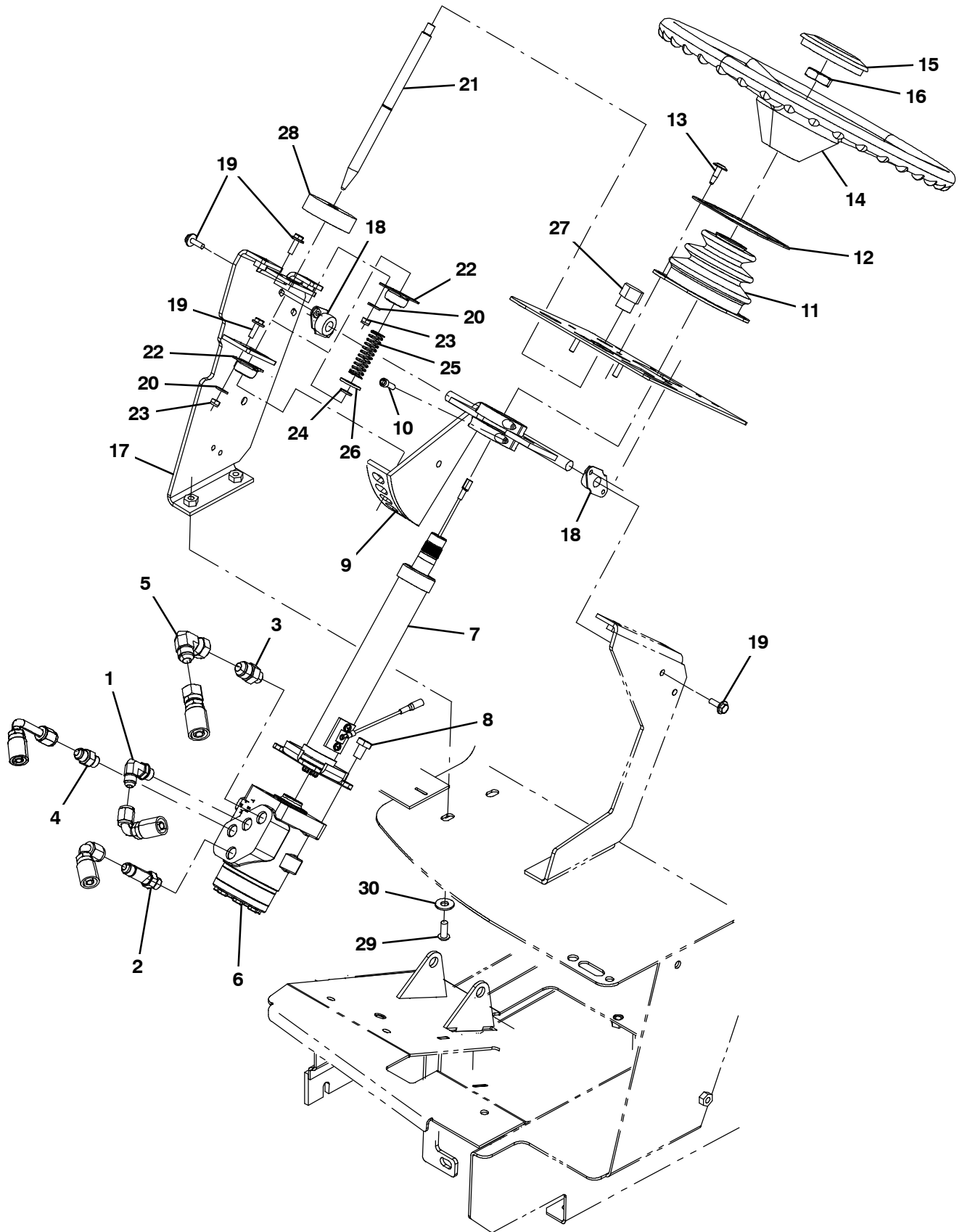


Fig. 8 - Steering Group

Ref.	Part No.	Serial Number	Description	Qty.	
1	56820	(000000-	) Fitting, Hyd, E90, Jm06/Om06	1	
2	59577	(000000-	) Fitting, Hyd, Str, Jm06/Om06, L	1	
3	56835	(000000-	) Fitting, Hyd, Str, Jm08/Om06	1	
4	56690	(000000-	) Fitting, Hyd, Str, Jm06/Om06	1	
5	17980	(000000-	) Fitting, Hyd, E90, Jf08/Jm08	1	
6	1024260	(000000-	) Steer-Control, Hyd#05, 06.1 2030 (See Breakdown)	1	
7	1021265	(000000-	) Column, Steering, 09.9l 0.86d 36tooth	1	
8	06960	(000000-	) Screw, Hex, M10 X 1.5 X 16, 8.8	4	
▽	9	73027	(000000-	) Bracket Wldt, Steering, Tilt	1
▲	10	01681	(000000-	) Screw, Soc, .25-20 X 0.75, Al	4
11	70622	(000000-	) Boot, Bellows, 3.1l 4.4w 2.8h 1hole, Neo	1	
12	70623	(000000-	) Retainer, Boot, Steering Column	1	
13	72970	(000000-	) Rivet, Plstc, .250d X 0.898	4	
14	768481	(000000-	) Wheel, Steering, 14.3d 0.81b 36tooth	1	
15	1024478	(000000-	) Button, Cntrl, Horn	1	
16	56185	(000000-	) Nut, Hex, Jam, M20 X 1.5	1	
17	1024695	(000000-	) Bracket Wldt, Tilt, Rh	1	
18	70709	(000000-	) Bearing, Flng, 2-Hole, 0.50b	2	
19	1040467	(000000-	) Screw, Hex, M6 X 1.00 X 20, 9.8, Sems	8	
20	32483	(000000-	) Washer, Flat, 0.25 Sae	4	
21	1023926	(000000-	) Pin, Locking, Steering, Tilt	1	
22	47585	(000000-	) Bearing, Flng, 2hole, 0.50b [Nyl]	2	
23	08708	(000000-	) Nut, Hex, Lock, M6 X 1.0, NI	4	
24	70717	(000000-	) Ring, Retaining, Ext, 0.50d, Hd	1	
25	22290	(000000-	) Spring, Cmpr, 18.8d, 1.6w, 57.1l	1	
26	32486	(000000-	) Washer, Flat, 0.50 Sae	1	
27	04706	(000000-	) Knob, Tee, 2.5x1.0 1.1l 0.38-16 Plstc	1	
28	75968	(000000-	) Insulation, Acstc, Rnd, 0.8, 02.5d 0.5h	1	
29	1031665	(000000-	) Screw, Pan, M8 X 1.25 X 25, Blk	2	
30	32491	(000000-	) Washer, Flat, 0.31, Std	2	

Fig. 9 - Front Cover Group

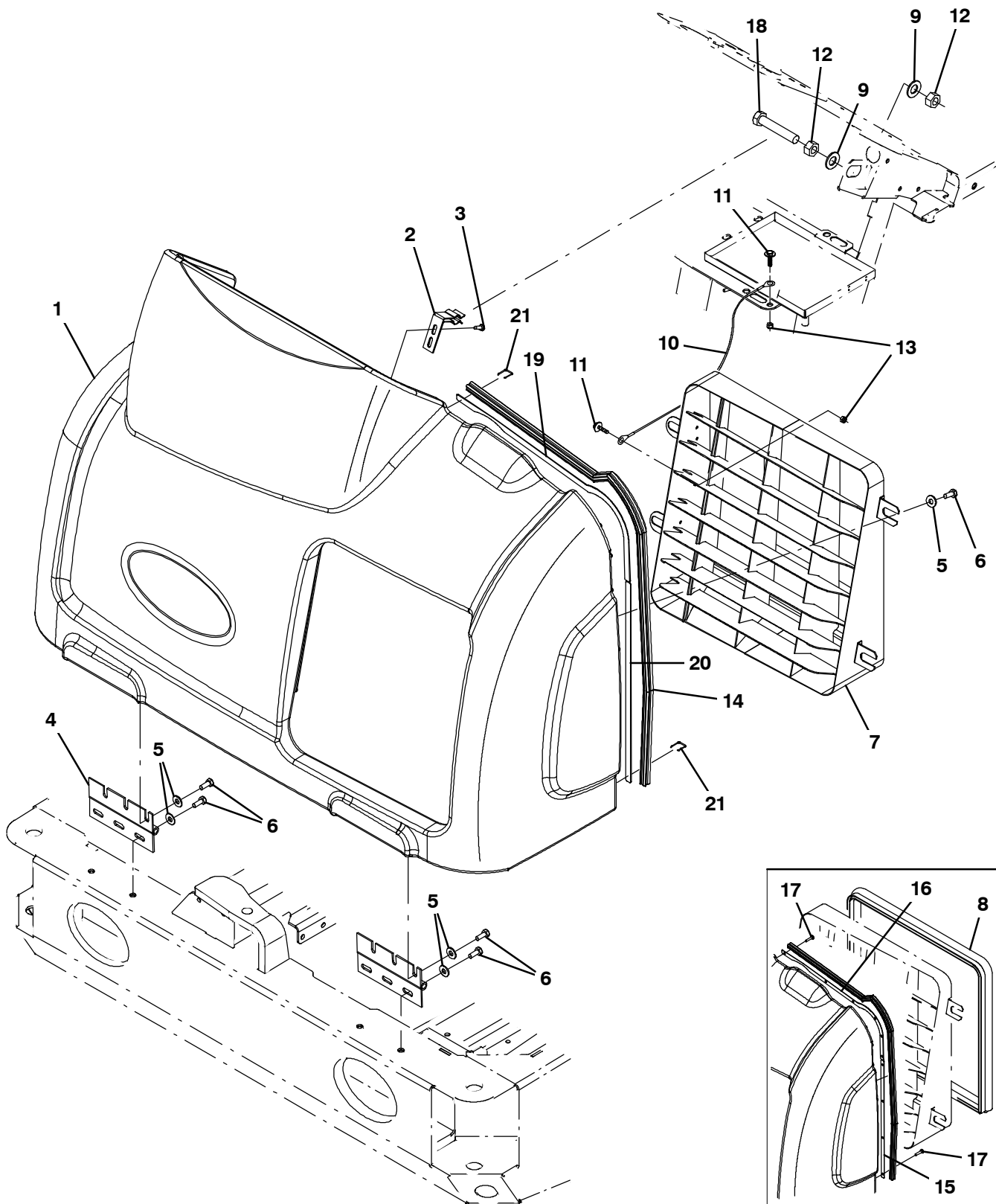


Fig. 9 - Front Cover Group

Ref.	Part No.	Serial Number	Description	Qty.
1	1022069	(000000-	) Shroud, Front, Trimmed	1
2	1008916	(000000-	) Bracket Wldt, Latch	1
3	06942	(000000-	) Screw, Hex, M6 X 1.0 X 16, 8.8	2
4	71941	(000000-	) Hinge, .38pin .11 3.5w 06.0l 6/0.38sl	2
5	32491	(000000-	) Washer, Flat, 0.31, Std	14
6	16931	(000000-	) Screw, Hex, M8 X 1.25 X 20, 8.8	14
7	1035068	(000000-	) Grill Wldt, Front	1
8	1031557	(000000-001021	) Seal, Afmkt, Bulb, Str, 1.0d F/11ga 08ft	1
9	15331	(000000-	) Washer, Flat, 0.62 Sae	2
10	391368	(000000-	) Cable, Glv .09d 016.5l .38eye /.38eye	1
11	1040467	(000000-	) Screw, Hex, M6 X 1.00 X 20, 9.8, Sems	2
12	07782	(000000-	) Nut, Hex, Std, M16 X 2.0	2
13	08708	(000000-	) Nut, Hex, Lock, M6 X 1.0, NI	2
14	1031543	(000000-	) Seal, Afmkt, Sponge, 0.88 1.00w 08ft	1
15	1029652	(000000-001512	) Plate, Mtg, Seal	1
16	1029545	(000000-001512	) Plate, Mtg, Seal	1
17	20394	(000000-001512	) Screw, Hex, #10-16 X 0.62, Fmg, [Ab]	10
18	06988	(000000-	) Screw, Hex, M16 X 2.0 X 90, 8.8	1
19	1037970	(001513-	) Strip Mtg, Seal	1
20	1037971	(001513-	) Strip Mtg, Seal	1
21	1037972	(001513-	) Fastener, 12.7Mm X 9.5Mm, Ss [Staple]	20

Fig. 10 - Engine Cover Group

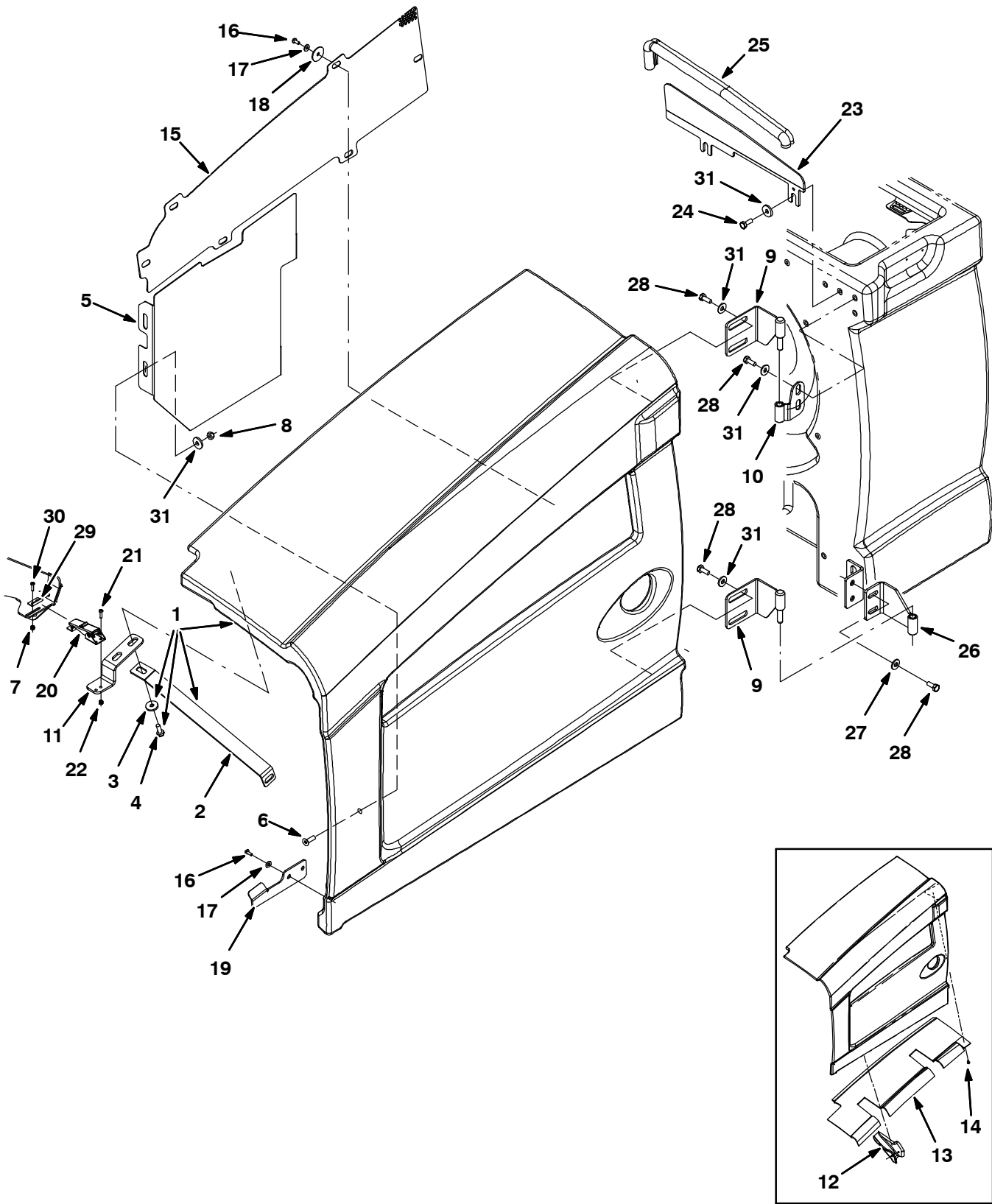




Fig. 10 - Engine Cover Group

Ref.	Part No.	Serial Number	Description	Qty.
▽	1	1033156	(000000- ) Shroud Assy, Eng	1
▲	2	1026628	(000000- ) Angle, Brace, Shrd	1
▲	3	1017218	(000000- ) Washer, Flat, 0.32b 1.00d .12, Ss	2
▲	4	16931	(000000- ) Screw, Hex, M8 X 1.25 X 20, 8.8	2
	5	1022004	(000000- ) Bracket, Shield, Heat	1
	6	74077	(000000- ) Screw, Flt, M8 X 1.25 X 25	4
	7	33932	(000000- ) Nut, Hex, Lock, M4 X 0.7, NI, Ss	2
	8	08709	(000000- ) Nut, Hex, Lock, M8 X 1.25, NI	4
	9	1024500	(000000- ) Hinge Wldt, Shrd, Lh	2
	10	1025196	(000000- ) Hinge Wldt, Shrd, Lh	2
	11	1020186	(000000- ) Bracket, Latch, Cover	1
	12	1028516	(000000-001030 ) Insulation, Shrd, Eng, Gusset	1
	13	1026665	(000000-001030 ) Insulation, Flame-Retardant, 0.5	1
	14	21168	(000000-001030 ) Clip, .250h, Plstc [Pine-Tree]	14
	15	1026726	(000000- ) Grill, Eng	1
	16	09200	(000000- ) Screw, Pan, M5 X 0.8 X 12, Ss	8
	17	19066	(000000- ) Washer, Flat, #10	8
	18	41178	(000000- ) Washer, Flat, 0.25 Fendr	6
	19	1028412	(000000- ) Bracket, Guide, Shrd	1
	20	384418	(000000- ) Latch, Door [Southco 91-562-07]	1
	21	06927	(000000- ) Screw, Pan, M4 X 0.7 X 16, 4.8	2
	22	02850	(000000- ) Nut, Hex, Lock, M4 X 0.7, NI	2
	23	1025806	(000000- ) Plate, Seal, Sound	1
	24	09740	(000000- ) Screw, Hex, M8 X 1.25 X 20, Ss	2
	25	1030588	(000000- ) Seal, Afrmkt, Bulb, 90, 0.75d F/11ga 02ft	2
	26	1024177	(000000- ) Hinge Wldt, Door	1
	27	32491	(000000- ) Washer, Flat, 0.31, Std	2
	28	16931	(000000- ) Screw, Hex, M8 X 1.25 X 20, 8.8	7
	29	384419	(000000- ) Bracket, Latch, Keeper [Southco]	1
	30	24265	(000000- ) Screw, Pan, M4 X 0.7 X 16, Ss	2
	31	1017218	(000000- ) Washer, Flat, 0.32b 1.00d .12, Ss	15

**Fig. 11 - Engine and Mount Group, Diesel**

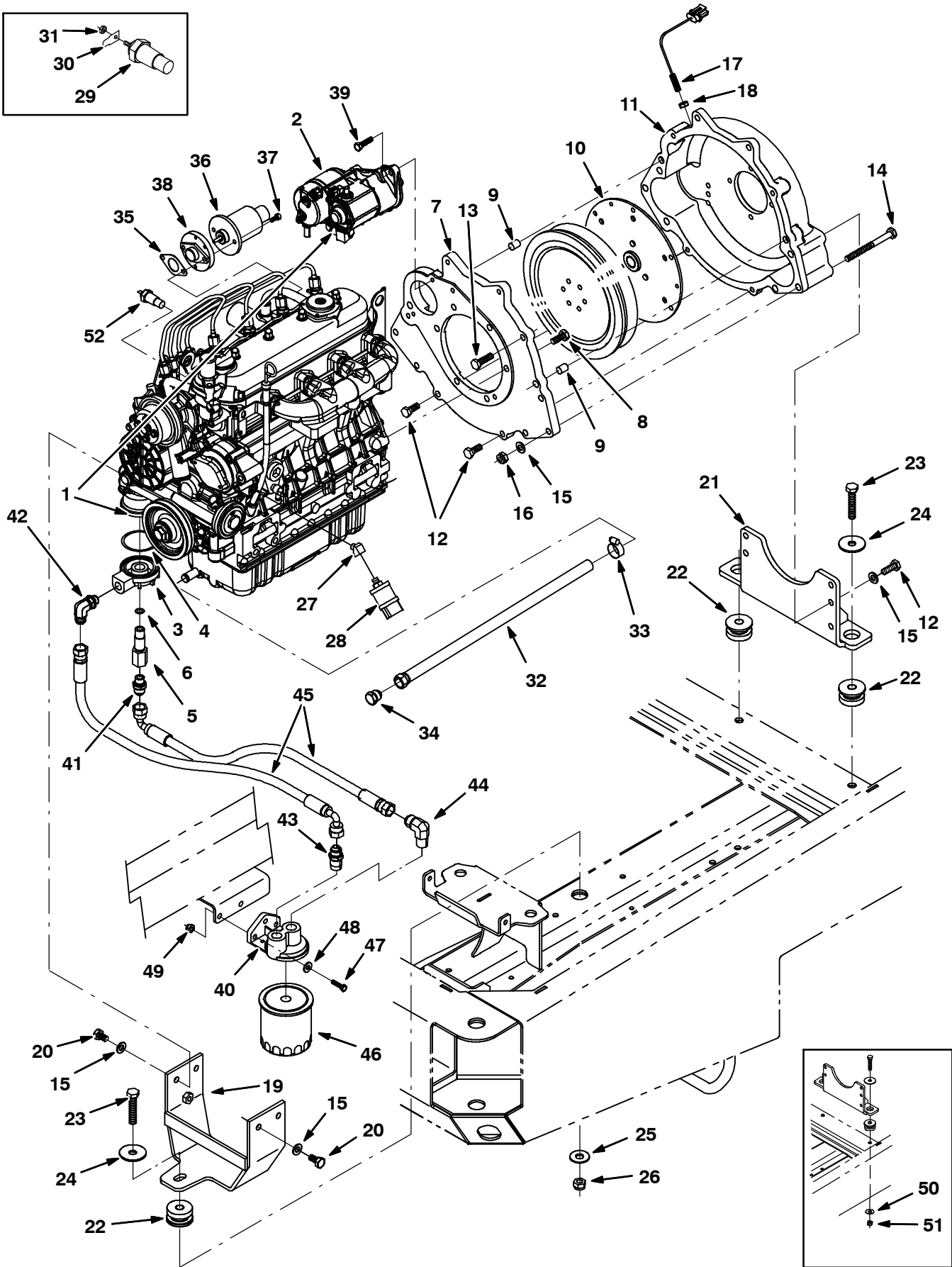


Fig. 11 - Engine and Mount Group, Diesel

Ref.	Part No.	Serial Number	Description	Qty.
▽	1	1040096	(001780- ) Engine Assy, Dsl, 37Hp [Ku V1505] (See Engine Breakdown)	1
▲	2	74405	(001780- ) Motor, Starter, 12vdc [Kubota] (See Engine Breakdown)	1
▽	1	1027591	(000000-001779 ) Engine Assy, Dsl, 37hp [Ku] (See Engine Breakdown)	1
▲	2	74405	(000000-001779 ) Motor, Starter, 12vdc [Kubota] (See Engine Breakdown)	1
	3	368056	(000000- ) Base, Fltr, Oil [Ku]	1
	4	70907	(000000- ) Seal, Org	1
	5	368059	(000000- ) Pipe, Fltr, Oil [Ku]	1
	6	70911	(000000- ) Seal, Org	1
	7	55837	(000000- ) Housing, Flywheel, Mach [1505, Kubo]	1
	8	07299	(000000- ) Screw, Hex, M10 X 1.25 X 25, 8.8	6
	9	54911-16	(000000- ) Pin, Dowel, Cyl Block [1pk=4]	2
	10	19252	(000000- ) Coupling, Drive, Flex, 09.5d / 13tooth	1
	11	58566	(000000- ) Housing, Flywheel, Mach [1505, Kubo]	1
	12	39283	(000000- ) Screw, Hex, M10 X 1.5 X 25, 8.8	6
	13	39284	(000000- ) Screw, Hex, M10 X 1.5 X 35, 8.8	2
	14	06966	(000000- ) Screw, Hex, M10 X 1.5 X 110, 8.8	5
	15	32485	(000000- ) Washer, Flat, 0.38, Sae	13
	16	41430	(000000- ) Nut, Hex, Lock, M10 X 1.5, NI	5
	17	380521	(000000- ) Magnet, Pickup	1
	18	20171	(000000- ) Nut, Hex, Jam, .38-24	1
	19	1023282	(000000- ) Bracket Wldt, Mtg, Eng, Front, Dsl	1
	20	58286	(000000- ) Screw, Hex, M10 X 1.25 X 20, 8.8	4
	21	1023074	(000000- ) Bracket Wldt, Mtg, Eng, Rear, Dsl	1
	22	51176	(000000- ) Isolator, Vib, .50d	3
	23	06972	(000000- ) Screw, Hex, M12 X 1.75 X 60, 8.8	3
	24	04414	(000000- ) Washer, Flat, 0.53b 1.88d .12, Stl, PI	3
	25	32493	(000000- ) Washer, Flat, 0.50, Std	1
	26	08711	(000000- ) Nut, Hex, Lock, M12 X 1.75, NI	1
	27	24976	(000000- ) Fitting, Brs, E45, Pf02/Pm02	1
	28	79399	(000000- ) Switch, Press, Dpdt 0006psi	1
	29	1050757	(000000-001970 ) Switch, Thermostat, Water	1
	30	68106	(000000-001970 ) Terminal, Tab, .25 .19h .84l	1
	31	19310	(000000-001970 ) Nut, Hex, Std, #08-32	1
	32	1027273	(000000- ) Hose, 0300, 08, Jf08str / None, 19.0	1
	33	63810	(000000- ) Clamp, Hose, Wormdrive, 0.56-1.06d, .56w	1
	34	16376	(000000- ) Fitting, Hyd, Plug, Jm08	1
	35	70165	(000000- ) Gasket, Solenoid, Throttle [Ku]	1
	36	71385	(000000- ) Actuator, Govnr, Dsl	1
	37	71388	(000000- ) Screw, Soc, M6 X 1.00 X 16, 12.9	4
	38	393401	(000000- ) Adapter, Actuator, Govnr, Eng, Dsl	1
	39	76570	(000000- ) Screw, Hex, M8 X 1.25 X 30, 8.8	2
	40	364972	(000000- ) Bracket, Mtg, Fltr, Oil, Remote	1
	41	367591	(000000- ) Fitting, Hyd, Str, Spcl	1
	42	33595	(000000- ) Fitting, Hyd, E90, Jm08/Om16 Metric	1
	43	15687	(000000- ) Fitting, Hyd, Str, Jm08/Pm08	1
	44	51869	(000000- ) Fitting, Hyd, E90, Jm08/Pm08	1
	45	59578	(000000- ) Hose, Hyd, Med08, Jf08e90/Jf08str, 032.0	2

## STANDARD PARTS

Fig. 11 - Engine and Mount Group, Diesel

Ref.	Part No.	Serial Number	Description	Qty.
46	39703-2	(000000-	) Element, Fitr, Oil, Spin-On	1
47	39277	(000000-	) Screw, Hex, M8 X 1.25 X 25, 8.8	2
48	32491	(000000-	) Washer, Flat, 0.31, Std	2
49	08709	(000000-	) Nut, Hex, Lock, M8 X 1.25, NI	2
50	32493	(000000-001337	) Washer, Flat, 0.50, Std	2
51	08711	(000000-001337	) Nut, Hex, Lock, M12 X 1.75,NI	3
52	1050757	(001971	) Switch, Thermostat, Water	1



**Fig. 12 - Engine Fuel Tank Group, Diesel**

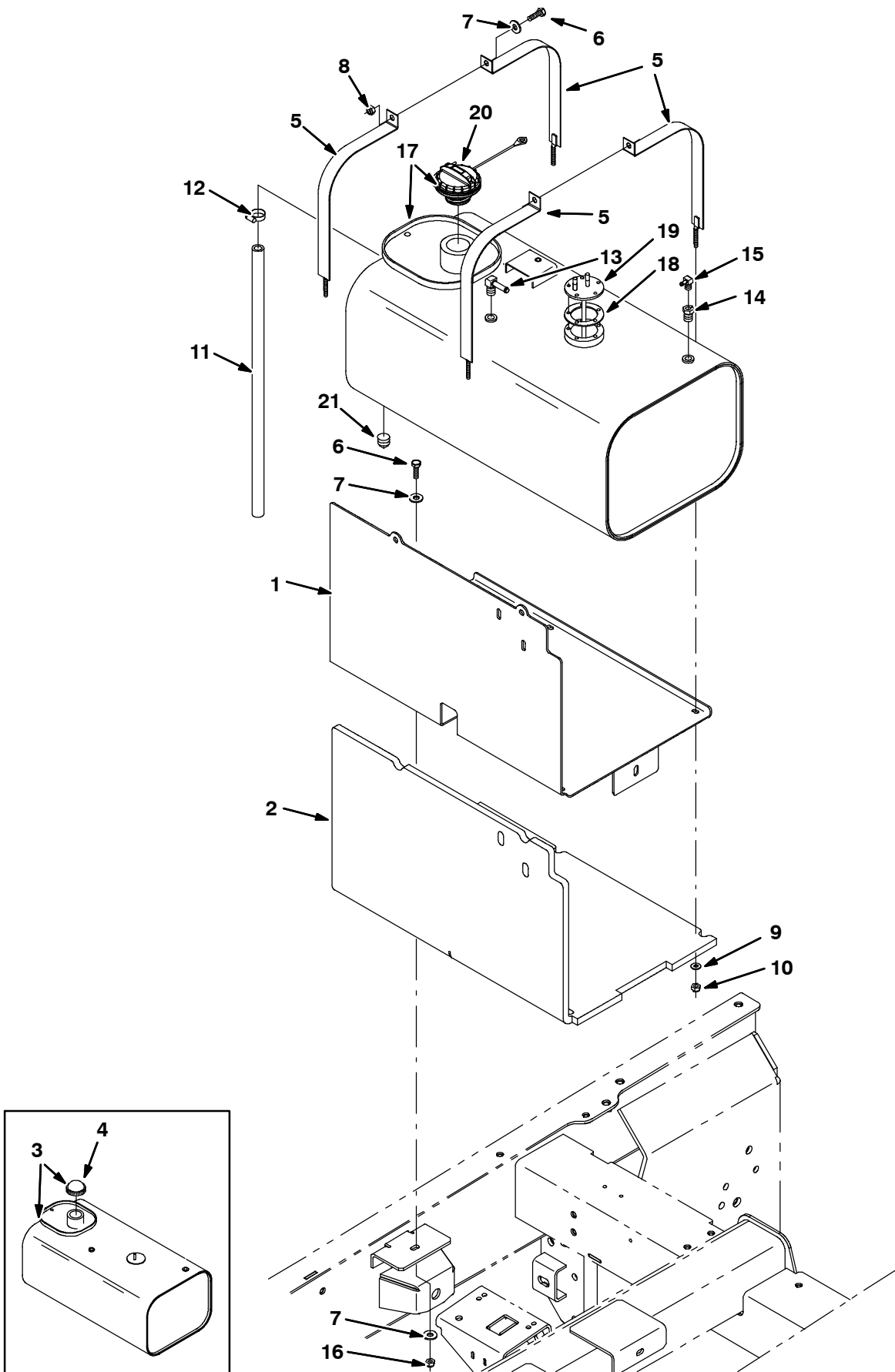


Fig. 12 - Engine Fuel Tank Group, Diesel

Ref.	Part No.	Serial Number	Description	Qty.
	1	1026550	(000000- ) Tray Wldt, Fuel	1
	2	1026759	(000000- ) Insulation, Flame-Retardant, 0.5	1
▽	3	9003611	(000000-001499 ) Tank, Fuel, 11.2gal [M20/T20]	1
▲	4	48267	(000000-001499 ) Cap, Tank, Fuel, 2.3neck 2.6d	1
▲		1039521	(000000-001499 ) Send-Unit, Fuel	1
	5	1025229	(000000- ) Strap, Tank, Gas	4
	6	39277	(000000- ) Screw, Hex, M8 X 1.25 X 25, 8.8	4
	7	32491	(000000- ) Washer, Flat, 0.31, Std	8
	8	08709	(000000- ) Nut, Hex, Lock, M8 X 1.25, NI	2
	9	32483	(000000- ) Washer, Flat, 0.25, Sae	4
	10	32981	(000000- ) Nut, Hex, Lock, .25-20, NI	4
	11	1023482	(000000- ) Hose, Fuel, 0.50id 21.0l	1
	12	54333	(000000- ) Clamp, Hose, Wormdrive, 0.31-0.88d, .31w	1
	13	9000355	(000000- ) Fitting, Brs, E90, Em05/Pm04	1
	14	17414	(000000- ) Fitting, Hyd, Str, Pf02/Pm04	1
	15	32183	(000000- ) Fitting, Brs, E90, Pm02/Bm03	1
	16	08709	(000000- ) Nut, Hex, Lock, M8 X 1.25, NI	4
▽	17	9003611	(001500-001779 ) Tank, Fuel, 11.2gal, Dsl, Replmt [2007]	1
▲	18	1033897	(001500-001779 ) Gasket, Sender, Fuel	1
▲	19	1033901	(001500-001779 ) Send-Unit, Fuel [2007]	1
▲	20	1032812	(001500-001779 ) Cap, Fuel, Tank	1
▲	21	48126	(001500-001779 ) Fitting, Pipe, Plug, Pm02, Sq Head	1
▽	17	9003934	(001780- ) Tank, Fuel, 11.2gal, Dsl, Replmt, Na[08]	1
▲	18	1033897	(001780- ) Gasket, Sender, Fuel	1
▲	19	1033901	(001780- ) Send-Unit, Fuel [2007]	1
▲	20	1032812	(001780- ) Cap, Fuel, Tank	1
▲	21	48126	(001780- ) Fitting, Pipe, Plug, Pm02, Sq Head	1
▽	17	9003958	(001780- ) Tank, Fuel, 11.2gal, Dsl, Replmt, Tj[08] (Japan Only)	1
▲	18	1033897	(001780- ) Gasket, Sender, Fuel	1
▲	19	1033901	(001780- ) Send-Unit, Fuel [2007]	1
▲	20	1032812	(001780- ) Cap, Fuel, Tank	1
▲	21	48126	(001780- ) Fitting, Pipe, Plug, Pm02, Sq Head	1

Fig. 13 - Engine Fuel Line Group, Diesel

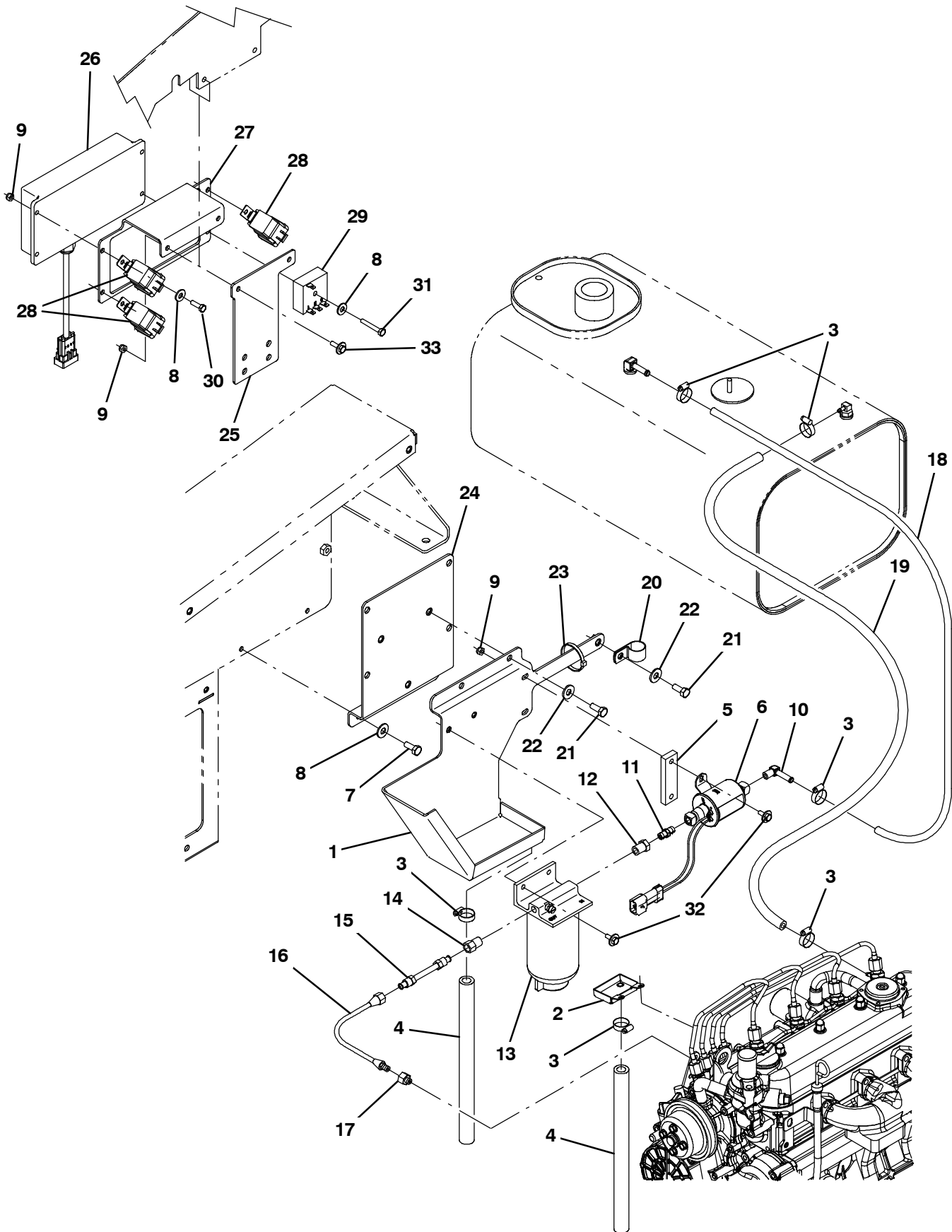




Fig. 13 - Engine Fuel Line Group, Diesel

Ref.	Part No.	Serial Number	Description	Qty.	
1	1032512	(000000-	) Tray Wldt, Drip, Dsl	1	
2	1032424	(000000-	) Tray Wldt, Drip, Fuel	1	
3	54333	(000000-	) Clamp, Hose, Wormdrive, 0.31-0.88d, .31w	6	
4	1006416	(000000-	) Hose, Afmkt, Pvc, Clr 0.38id 03ft	1	
5	364779	(000000-	) Bar, Flat, Stl 0.38, 01.00 X 03.3l	1	
6	59015	(000000-	) Pump, Fuel	1	
7	06942	(000000-	) Screw, Hex, M6 X 1.0 X 16, 8.8	2	
8	32490	(000000-	) Washer, Flat, 0.25, Std	6	
9	08708	(000000-	) Nut, Hex, Lock, M6 X 1.00, NI	10	
10	53029	(000000-	) Fitting, Brs, E90, Em05/Pm02	1	
11	47566	(000000-	) Fitting, Hyd, Str, Pm02/Pm02	1	
12	17414	(000000-	) Fitting, Hyd, Str, Pf02/Pm04	1	
▽	13	1016827	(000000-	) Filter Assy, Fuel, Dsl	1
▲		1017126	(000000-	) Element, Fltr, Fuel [Dn]	1
14	78043	(000000-	) Fitting, Brs, Str, lf05/Pm04	1	
15	1024380	(000000-	) Fuelline, .31d 04.0l 05if/05if, Stl	1	
16	70173	(000000-	) Hose, 0050, 04, lf05str / lm05str, 10.0	1	
17	365066	(000000-	) Fitting, Hyd, Str, Metric, Om10/lf05	1	
18	87738	(000000-	) Hose, Fuel, 0.18id 29.0l	1	
19	365190	(000000-	) Hose, Fuel, 0.31id 22.0l	1	
20	69234	(000000-	) Clamp, Cable, Stl, 1.00d X 0.75w, 1h	1	
21	16931	(000000-	) Screw, Hex, M8 X 1.25 X 20, 8.8	2	
22	32491	(000000-	) Washer, Flat, 0.31, Std	3	
23	49266	(000000-	) Tie, Cable, Nyl, 07.3l .19w 1.8 Max D	2	
24	1018939	(000000-	) Bracket, Mtg [Ecu]	1	
25	1031012	(000000-	) Bracket, Mtg, Coolant Tank	1	
26	1040835	(000000-	) Control, Govnr [All Purpose]	1	
27	1027922	(000000-	) Bracket, Mtg, Govnr Control, Dsl	1	
28	56186	(000000-	) Relay, 12vdc, 40a, Spdt N/O	3	
29	379656	(000000-	) Timer, 12vdc, 10 Sec	1	
30	06943	(000000-	) Screw, Hex, M6 X 1.0 X 20, 8.8	3	
31	06947	(000000-	) Screw, Hex, M6 X 1.0 X 40, 8.8	1	
32	1040467	(000000-	) Screw, Hex, M6 X 1.00 X 20, 9.8, Sems	4	
33	1036892	(000000-	) Screw, Hex, M6 X 1.00 X 25, 9.8, Sems	2	

Fig. 14 - Engine Air Cleaner Group, Diesel

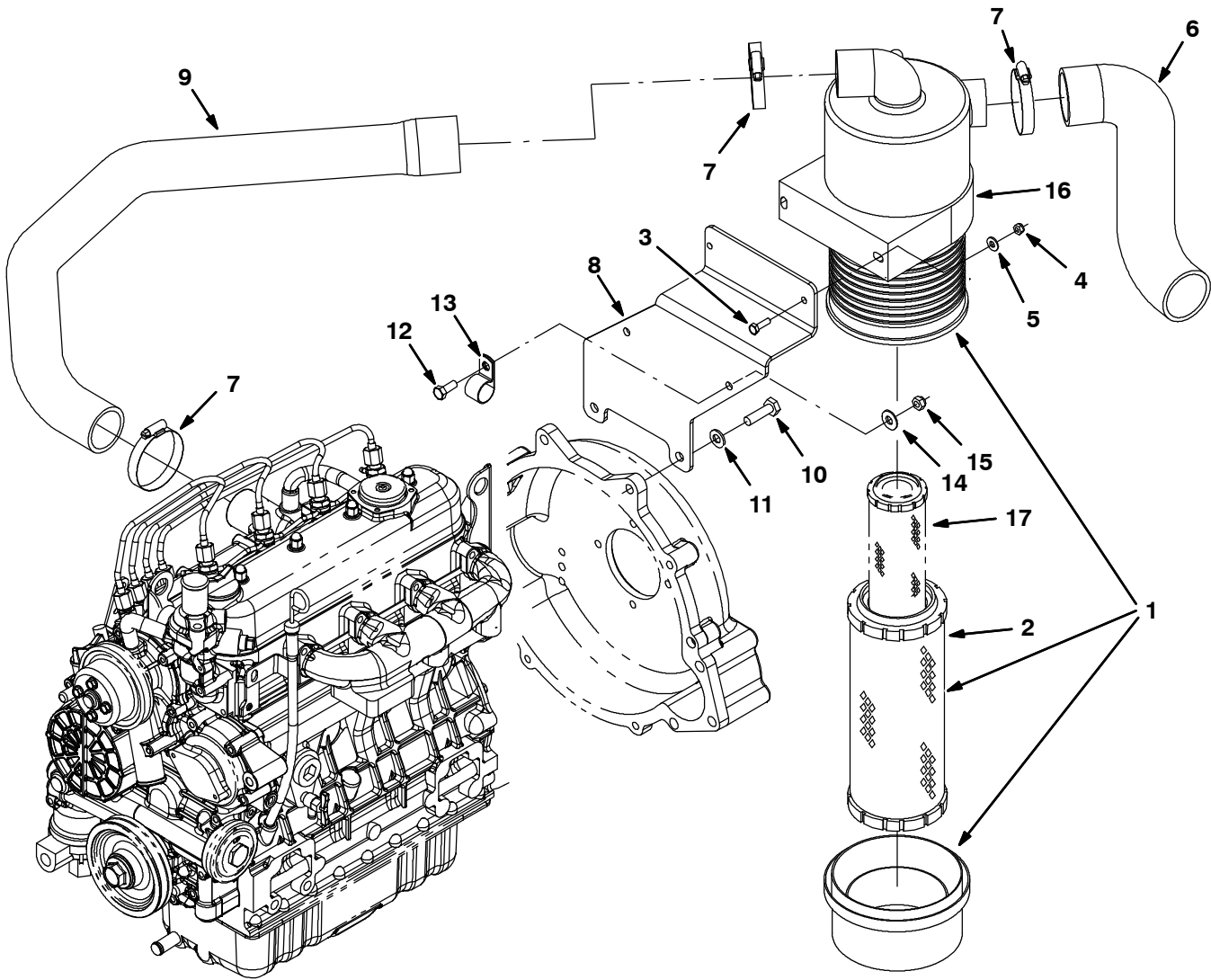


Fig. 14 - Engine Air Cleaner Group, Diesel

	Ref.	Part No.	Serial Number	Description	Qty.
▽	1	369745	(000000-	) Filter Assy, Air	1
▲	2	369746	(000000-	) Element, Fltr, Air [Dn]	1
	3	06943	(000000-	) Screw, Hex, M6 X 1.0 X 20, 8.8	2
	4	08708	(000000-	) Nut, Hex, Lock, M6 X 1.00, NI	2
	5	32483	(000000-	) Washer, Flat, 0.25, Sae	2
	6	1020949	(000000-	) Hose, Intake, Mold, 2.00id [Epdm]	1
	7	14432	(000000-	) Clamp, Hose, Wormdrive, 1.81-2.75d, .50w	3
	8	1024772	(000000-	) Bracket, Mtg, Air Fltr, Dsl	1
	9	1023892	(000000-	) Hose, Intake, Mold, 1.75id 1.75id Dsl	1
	10	39284	(000000-	) Screw, Hex, M10 X 1.5 X 35, 8.8	2
	11	32485	(000000-	) Washer, Flat, 0.38, Sae	2
	12	09740	(000000-	) Screw, Hex, M8 X 1.25 X 20, Ss	1
	13	69234	(000000-	) Clamp, Cable, Stl, 1.00d X 0.75w, 1h	1
	14	01685	(000000-	) Washer, Flat, 0.31, Ss	1
	15	08713	(000000-	) Nut, Hex, Lock, M8 X 1.25, NI, Ss	1
	16	369747	(000000-	) Clamp, Mtg, Fltr, Air	1
	17	398279	(000000-	) Element, Fltr, Air, Safety (Option)	1

**Fig. 15 - Engine Alternator Group, Diesel (000000-001759)**

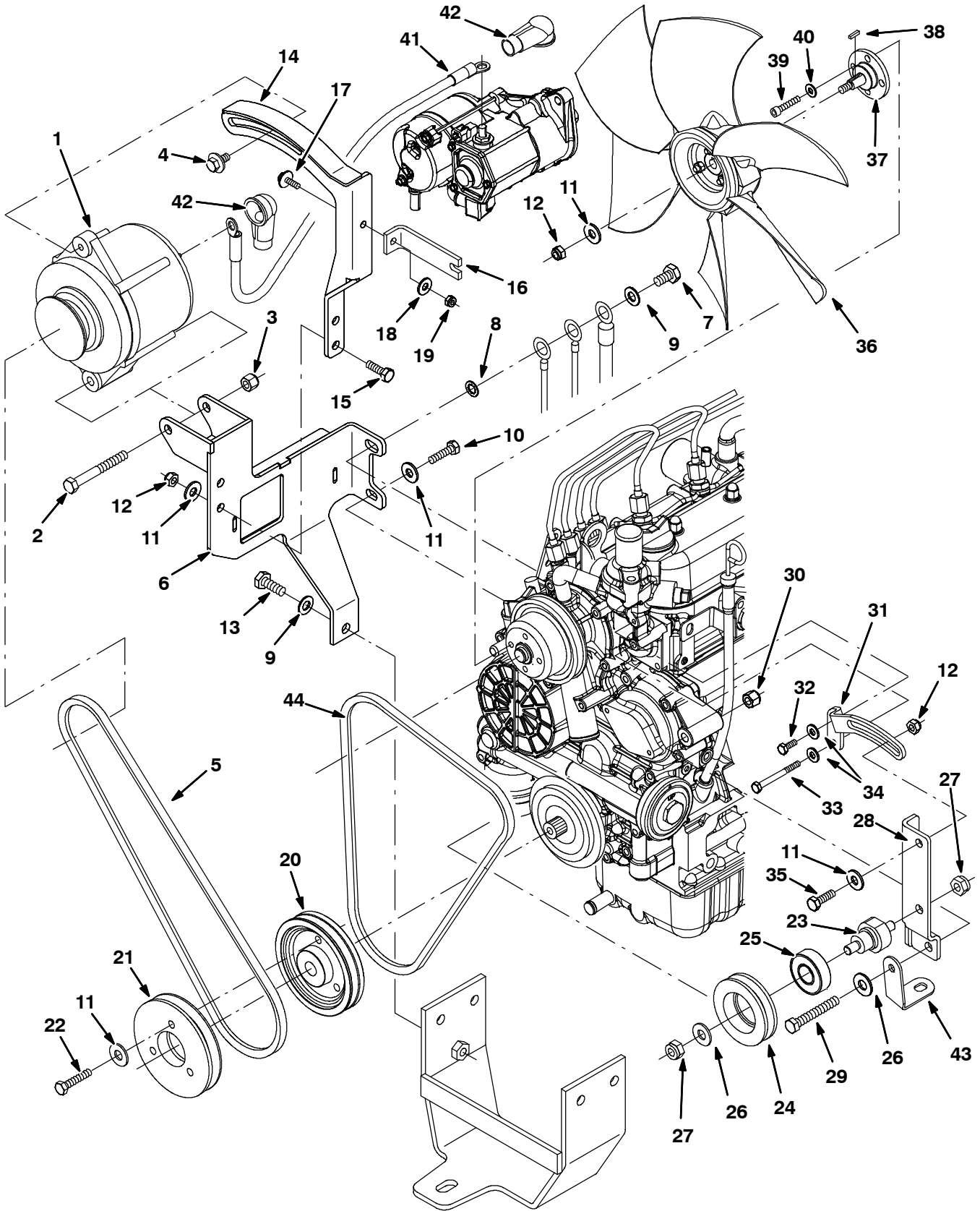


Fig. 15 - Engine Alternator Group, Diesel (000000-001759)

Ref.	Part No.	Serial Number	Description	Qty.
1	392611	(000000-001759 )	Alternator, 12vdc, 075a [Valeo]	1
2	35707	(000000-001759 )	Screw, Hex, .38-16 X 3.00, G5	1
3	59156	(000000-001759 )	Nut, Hex, Lock, .38-16, NI, Ss	1
4	16953	(000000-001759 )	Screw, Hex, .31-18 X 0.75, Sems	1
5	1023911	(000000-001759 )	Belt, V, 37.5l [3v]	1
6	1023943	(000000-001759 )	Bracket Wldt, Mtg, Alternator, Dsl	1
7	33612	(000000-001759 )	Screw, Hex, M10 X 1.25 X 35, 8.8	1
8	32988	(000000-001759 )	Washer, Lock, Int, 0.38	1
9	32485	(000000-001759 )	Washer, Flat, 0.38, Sae	2
10	76570	(000000-001759 )	Screw, Hex, M8 X 1.25 X 30, 8.8	1
11	32491	(000000-001759 )	Washer, Flat, 0.31, Std	7
12	08709	(000000-001759 )	Nut, Hex, Lock, M8 X 1.25, NI	3
13	39283	(000000-001759 )	Screw, Hex, M10 X 1.5 X 25, 8.8	1
14	1028667	(000000-001759 )	Arm Wldt, Alternator, Dsl	1
15	39277	(000000-001759 )	Screw, Hex, M8 X 1.25 X 25, 8.8	2
16	1028420	(000000-001759 )	Bracket, Sppt, Alternator, Dsl	1
17	06943	(000000-001759 )	Screw, Hex, M6 X 1.0 X 20, 8.8	1
18	32490	(000000-001759 )	Washer, Flat, 0.25, Std	1
19	08708	(000000-001759 )	Nut, Hex, Lock, M6 X 1.00, NI	1
20	393371	(000000-001759 )	Sheave, 01grv, Rwk 393400 [3v]	1
21	393370	(000000-001759 )	Sheave, 01grv, 04.1pd 1.6b [XI]	1
22	76957	(000000-001759 )	Screw, Hex, .31-18 X 1.50, G5	3
23	1024213	(000000-001759 )	Shaft, Mtg, Sheave, Dsl	1
24	1024211	(000000-001759 )	Sheave, 01grv, 02.6pd 0.63b [Hc41]	1
25	46390	(000000-001759 )	Bearing, Ball, 0.79b 1.85d 0.55w	1
26	32492	(000000-001759 )	Washer, Flat, 0.38, Std	2
27	41430	(000000-001759 )	Nut, Hex, Lock, M10 X 1.5, NI	2
28	1024206	(000000-001759 )	Bracket, Mtg, Sheave, Dsl	1
29	35707	(000000-001759 )	Screw, Hex, .38-16 X 3.00, G5	1
30	50902	(000000-001759 )	Nut, Hex, Lock, .38-16, NI	1
31	1024264	(000000-001759 )	Arm, Alternator, Dsl	1
32	06942	(000000-001759 )	Screw, Hex, M6 X 1.0 X 16, 8.8	1
33	06548	(000000-001759 )	Screw, Hex, M6 X 1.0 X 60, 8.8	1
34	32483	(000000-001759 )	Washer, Flat, 0.25, Sae	4
35	39277	(000000-001759 )	Screw, Hex, M8 X 1.25 X 25, 8.8	1
36	1031566	(000000-001759 )	Fan, Cooling, 14.1d, 6 Blade, 0.5b Taper	1
37	1035341	(000000-001759 )	Spacer, Fan, Dsl [M20/T20]	1
38	00960	(000000-001759 )	Key, Sq, 0.12 X 0.12, 0.50l	1
39	71388	(000000-001759 )	Screw, Soc, M6 X 1.00 X 16, 12.9	4
40	19066	(000000-001759 )	Washer, Flat, #10	4
41	1029689	(000000-001759 )	Cable, 06ga 16.0l Red .38ring /.38ring	1
42	1016314	(000000-001759 )	Boot, 90deg .50id 1.00id 2.50l, Red	2
43	1033697	(000000-001759 )	Bracket, Clamp, Hose	1
44	1038035	(000000-001759 )	Belt, v, 37.0L [3V]	1

**Fig. 16 - Engine Alternator Group, Diesel (001760- )**

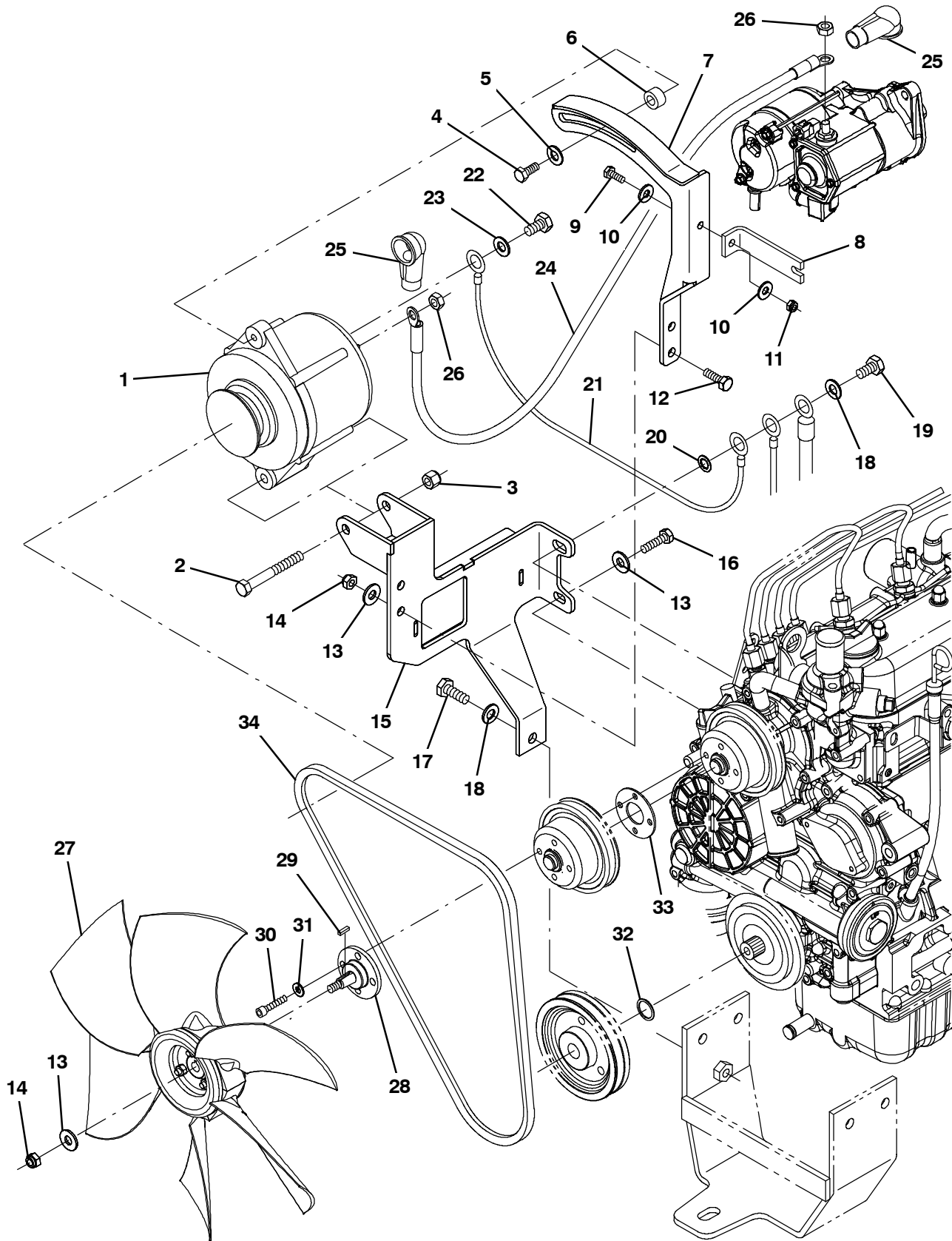


Fig. 15 - Engine Alternator Group, Diesel (001760- )

Ref.	Part No.	Serial Number	Description	Qty.
1	392611	(001760-	) Alternator, 12vdc, 075a [Valeo]	1
2	35707	(001760-	) Screw, Hex, .38-16 X 3.00, G5	1
3	59156	(001760-	) Nut, Hex, Lock, .38-16, NI, Ss	1
4	76955	(001760-	) Screw, Hex, .31-18 X 1.00, G5	1
5	41186	(001760-	) Washer, Flat, Belleville, .31	1
6	73737	(001760-	) Tube, 0.38id 0.75od 00.3l, Ss	1
7	1036847	(001760-	) Arm Wldt, Alternator, Dsl	1
8	1036859	(001760-	) Bracket, Sppt, Alternator, Dsl	1
9	06943	(001760-	) Screw, Hex, M6 X 1.00 X 20, 8.8	1
10	32483	(001760-	) Washer, Flat, 0.25, Sae	2
11	08708	(001760-	) Nut, Hex, Lock, M6 X 1.00, NI	1
12	39277	(001760-	) Screw, Hex, M8 X 1.25 X 25, 8.8	2
13	32491	(001760-	) Washer, Flat, 0.31, Std	4
14	08709	(001760-	) Nut, Hex, Lock, M8 X 1.25, NI	3
15	1036844	(001760-	) Bracket Wldt, Mtg, Alternator, Dsl	1
16	76570	(001760-	) Screw, Hex, M8 X 1.25 X 30, 8.8	1
17	39283	(001760-	) Screw, Hex, M10 X 1.50 X 25, 8.8	1
18	32492	(001760-	) Washer, Flat, 0.38, Std	2
19	33612	(001760-	) Screw, Hex, M10 X 1.25 X 35, 8.8	1
20	32988	(001760-	) Washer, Lock, Int, 0.38	1
21	371527	(001760-	) Wire, Ground	1
22	42011	(001760-	) Screw, Hex, 10-24 X 0.50, Ss	1
23	01683	(001760-	) Washer, Flat, 10, Ss	1
24	1029689	(001760-	) Cable, 06ga 16.0l Red .38ring /.38ring	1
25	1016314	(001760-	) Boot, 90deg .50id 1.00id 2.50l, Red	2
26	41361	(001760-	) Nut, Hex, Std, M8 X 1.25, Brs	2
27	1031566	(001760-	) Fan, Cooling, 14.1d, 6 Blade, 0.5b Taper	1
28	1035341	(001760-	) Spacer, Fan, Dsl [M20/T20]	1
29	00960	(001760-	) Key, Sq, 0.12 X 0.12, 0.50l	1
30	71388	(001760-	) Screw, Soc, M6 X 1.00 X 16, 12.9	4
31	19066	(001760-	) Washer, Flat, 10	4
32	1039208	(001760-	) Washer, Flat, 1.10b 1.50d .12, Stl, PI	1
33	1039212	(001760-	) Spacer, Fan	1
34	393244	(001760-	) Belt, V, 42.0l [Hc41]	1

**Fig. 17 - Engine Muffler Group, Diesel**

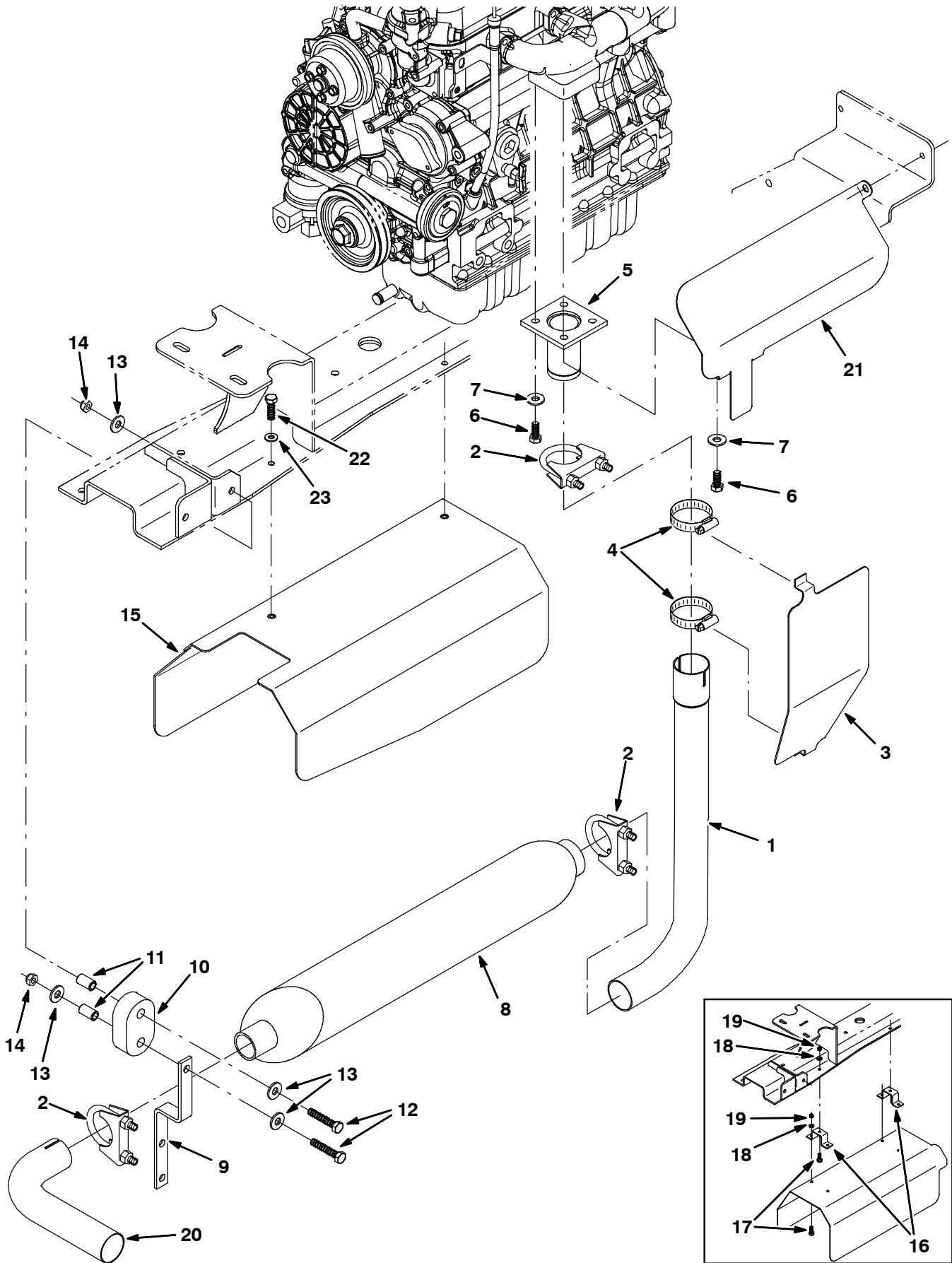




Fig. 17 - Engine Muffler Group, Diesel

Ref.	Part No.	Serial Number	Description	Qty.
1	1024357	(000000-	) Tube, Exhaust, Dsl	1
2	24012	(000000-	) Clamp, Muffler, 1.62d	3
3	9002411	(000000-	) Plate, Shield, Heat, Dsl, Replmt	1
4	11531	(000000-	) Clamp, Hose, Wormdrive, 1.06-2.00d, .56w	2
5	74452	(000000-	) Tube Wldt, Exhaust, 1.5d, 4 Hole Flng	1
6	16931	(000000-	) Screw, Hex, M8 X 1.25 X 20, 8.8	4
7	32491	(000000-	) Washer, Flat, 0.31, Std	4
8	364805	(000000-	) Muffler, Exhaust	1
9	1017969	(000000-	) Bracket, Muffler, Hanger, Front	1
10	1013031	(000000-	) Isolator, Rbr	1
11	222496	(000000-	) Sleeve, P/M, 0.31b 0.50d 0.9l [430ss]	2
12	222505	(000000-	) Screw, Hex, M8 X 1.25 X 45, Ss	2
13	01685	(000000-	) Washer, Flat, 0.31, Ss	4
14	08713	(000000-	) Nut, Hex, Lock, M8 X 1.25, NI, Ss	2
15	1028994	(000000-	) Channel, Shield, Muffler [M20/T20 2007]	1
16	1022113	(000000-001047	) Bracket, Retainer, Shield, Heat	2
17	08716	(000000-001047	) Screw, Hex, M6 X 1.0 X 20, Ss	6
18	32483	(000000-001047	) Washer, Flat, 0.25, Sae	6
19	08712	(000000-001047	) Nut, Hex, Lock, M6 X 1.00, Ss, NI	6
20	1021789	(000000-	) Tube, Exhaust, 1.5d	1
21	1032010	(000000-	) Shield, Heat, Dsl	1
22	08716	(001048-	) Screw, Hex, M6 X 1.0 X 20, Ss	2
23	32483	(001048-	) Washer, Flat, 0.25, Sae	2

**Fig. 18 - Engine Radiator Group, Diesel**

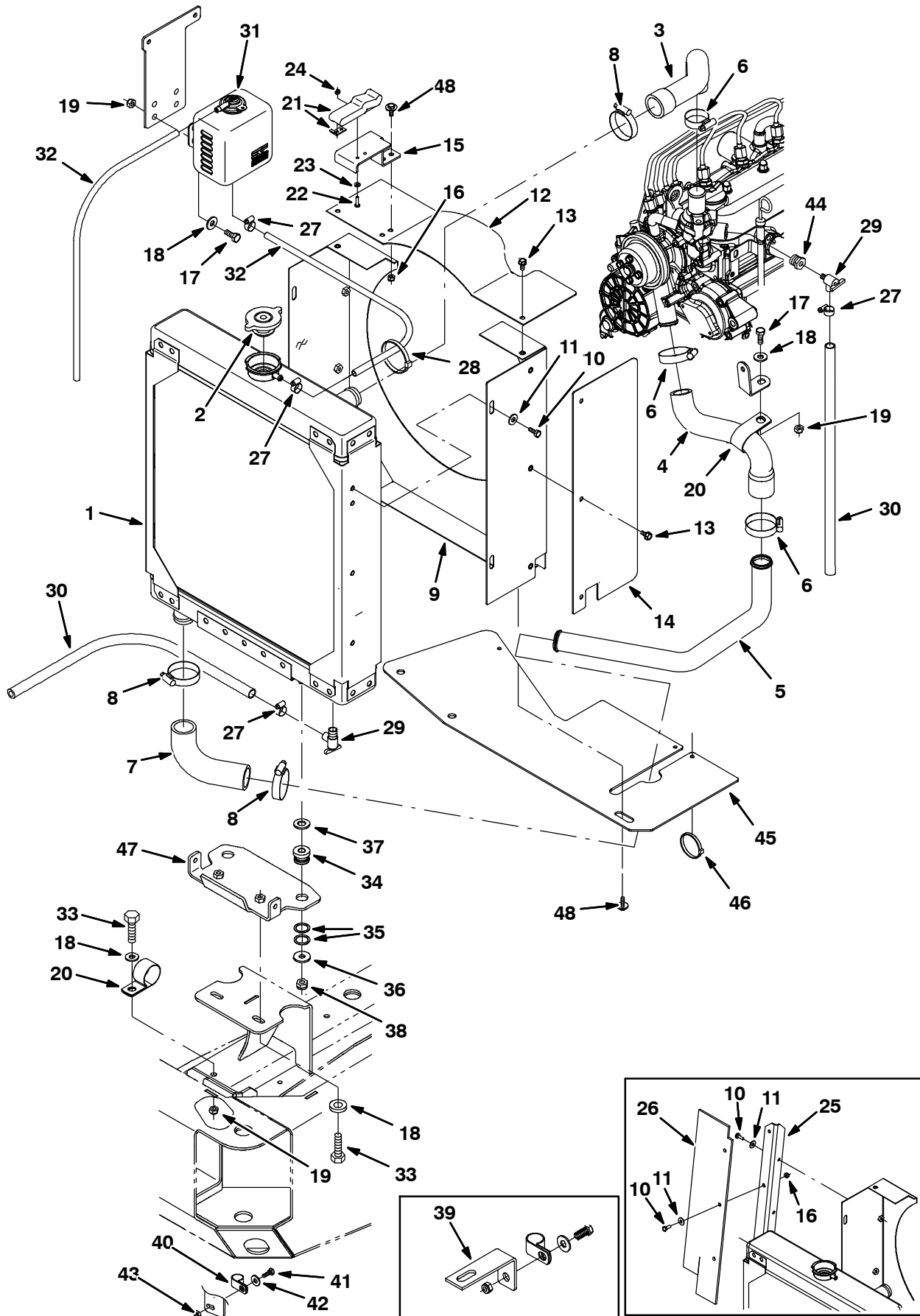


Fig. 18 - Engine Radiator Group, Diesel

Ref.	Part No.	Serial Number	Description	Qty.
1	1018059	(000000-	) Radiator	1
2	368132	(000000-	) Cap, Radiator, 15psi	1
3	1023154	(000000-	) Hose, Radiator, Upper, Dsl	1
4	1033688	(000000-	) Hose, Radiator, Lower, Dsl	1
5	1023180	(000000-	) Tube, Radiator, Lower, Dsl	1
6	11399	(000000-	) Clamp, Hose, Wormdrive, 0.81-1.50d, .50w	3
7	1007482	(000000-	) Hose, Rbr, E90 1.25id 1.25id 04.2 03.1	1
8	11531	(000000-	) Clamp, Hose, Wormdrive, 1.06-2.00d, .56w	3
9	1023810	(000000-	) Panel, Shrd, Fan, Dsl	1
10	06942	(000000-	) Screw, Hex, M6 X 1.0 X 16, 8.8	9
11	32490	(000000-	) Washer, Flat, 0.25, Std	9
12	1024028	(000000-	) Plate, Guard, Fan Shrd, Dsl	1
13	74455	(000000-	) Screw, Hex, M6 X 1.0 X 12, Fmg	5
14	9002412	(000000-	) Plate, Guard, Fan, Shrd, Dsl, Replmt	1
15	1027112	(000000-	) Bracket, Mtg, Latch, Dsl	1
16	08708	(000000-	) Nut, Hex, Lock, M6 X 1.00, NI	5
17	16931	(000000-	) Screw, Hex, M8 X 1.25 X 20, 8.8	5
18	32491	(000000-	) Washer, Flat, 0.31, Std	8
19	08709	(000000-	) Nut, Hex, Lock, M8 X 1.25, NI	6
20	53466	(000000-	) Clamp, Cable, Stl, 1.50d X 1.00w, 1h	2
21	49800	(000000-	) Latch	1
22	06927	(000000-	) Screw, Pan, M4 X 0.70 X 16, 4.8	2
23	19064	(000000-	) Washer, Flat, #06	2
24	02850	(000000-	) Nut, Hex, Lock, M4 X 0.70, NI	2
25	1027099	(000000-001013	) Plate, Mtg, Seal	1
26	1027103	(000000-001013	) Seal, Radiator	1
27	43844	(000000-	) Clamp, Hose, Wormdrive, 0.25-0.62d, .31w	4
28	49266	(000000-	) Tie, Cable, Nyl, 07.3l .19w 1.8 Max D	2
29	51305	(000000-	) Fitting, Draincock, E90, .25npt	2
30	73471	(000000-	) Hose, Pvc, Clr, 0.38id 0.56od 22.00l	2
31	1023853	(000000-	) Tank, Coolant, 04.7 03.3 4.7deep, 1liter	1
32	1015041	(000000-	) Hose, Afmkt, Coolant Recvy, 05ft	1
33	39277	(000000-	) Screw, Hex, M8 X 1.25 X 25, 8.8	3
34	54274	(000000-	) Isolator, Vib, Bshg, 1.1d 0.6l .4b 0.78h	2
35	09832	(000000-	) Washer, Flat, 0.81b 1.06d .06, Stl	4
36	1014563	(000000-	) Washer, Flat, 0.40b 1.12d .12, Ss	2
37	32486	(000000-	) Washer, Flat, 0.50, Sae	2
38	41430	(000000-	) Nut, Hex, Lock, M10 X 1.5, NI	2
39	1026003	(000000-001602	) Bracket, Ftg, Bh	1
40	67767	(000000-	) Clamp, Cable, Stl, 0.69d X 0.62w, 1h	1
41	09740	(000000-	) Screw, Hex, M8 X 1.25 X 20, Ss	1
42	01685	(000000-	) Washer, Flat, 0.31, Ss	1
43	08713	(000000-	) Nut, Hex, Lock, M8 X 1.25, NI, Ss	1
44	1016383	(000000-	) Fitting, Brs, Str, Pf04/Pm06	1
45	1035878	(000000-	) Skirt, Debris, Eng Radiator	1
46	763116	(000000-	) Tie, Cable, Nyl, 15.3l . W 4.5 Max D	1
47	1035976	(001036-	) Bracket, Sppt, Radiator, Upper	1
48	1040467	(000000-	) Screw, Hex, M6 X 1.00 X 20, 9.8, Sems	4

**Fig. 19 - Battery and Electrical Group**

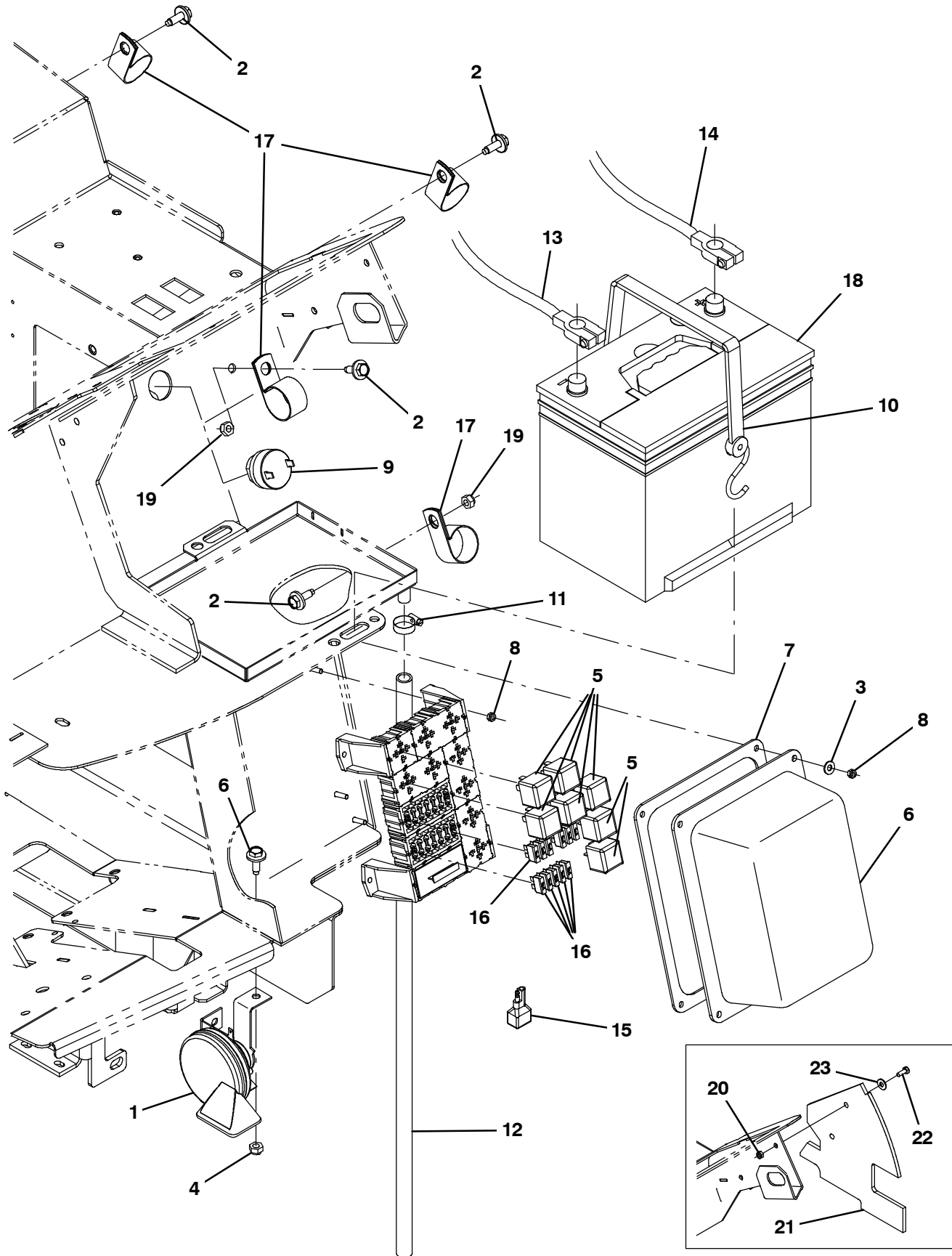


Fig. 19 - Battery and Electrical Group

Ref.	Part No.	Serial Number	Description	Qty.
1	369704	(000000-	) Horn, 12vdc, Dba [Wolo]	1
2	1037346	(000000-	) Screw, Hex, M8 X 1.25 X 25, 9.8, Sems	5
4	08709	(000000-	) Nut, Hex, Lock, M8 X 1.25, NI	1
3	19066	(000000-	) Washer, Flat, #10	4
5	57804	(000000-	) Relay, 12vdc, 40a, Spdt N/O	7
6	1024274	(000000-	) Cover, Fuse, Block	1
7	1026576	(000000-	) Gasket, Cover, Fuse Block	1
8	06549	(000000-	) Nut, Hex, Lock, M5 X 0.8, NI	8
9	1021290	(000000-	) Alarm, Warning [Sonalert, St628]	1
10	33671	(000000-	) Strap, Rbr, Tie-Down, 2/Hooks 19.0l	1
11	54333	(000000-	) Clamp, Hose, Wormdrive, 0.31-0.88d, .31w	1
12	20778	(000000-	) Hose, Pvc, Clr, 0.50id 0.69od 30.00l	1
13	60295	(000000-	) Cable, Battery, 02ga 60.0l Blk .41ring	1
14	68869	(000000-	) Cable, Battery, 02ga 48.0l Red .41ring	1
15	222290	(000000-	) Diode, Ele, Plug	1
16	762514	(000000-	) Fuse, 015a	14
17	53466	(000000-	) Clamp, Cable, Stl, 1.50d X 1.00w, 1h	4
18	10143	(000000-	) Battery, Wet, 12Vdc 0600Cca	1
19	08709	(000000-	) Nut, Hex, Lock, M8 X 1.25, NI	2
20	08708	(000000-001013	) Nut, Hex, Lock, M6 X 1.0, NI	2
21	1027228	(000000-001013	) Seal, Radiator, Upper	1
22	06942	(000000-001013	) Screw, Hex, M6 X 1.0 X 16, 8.8	2
23	32490	(000000-001013	) Washer, Flat, 0.25 Std	2

**Fig. 20 - Wheel Group, Front Drive**

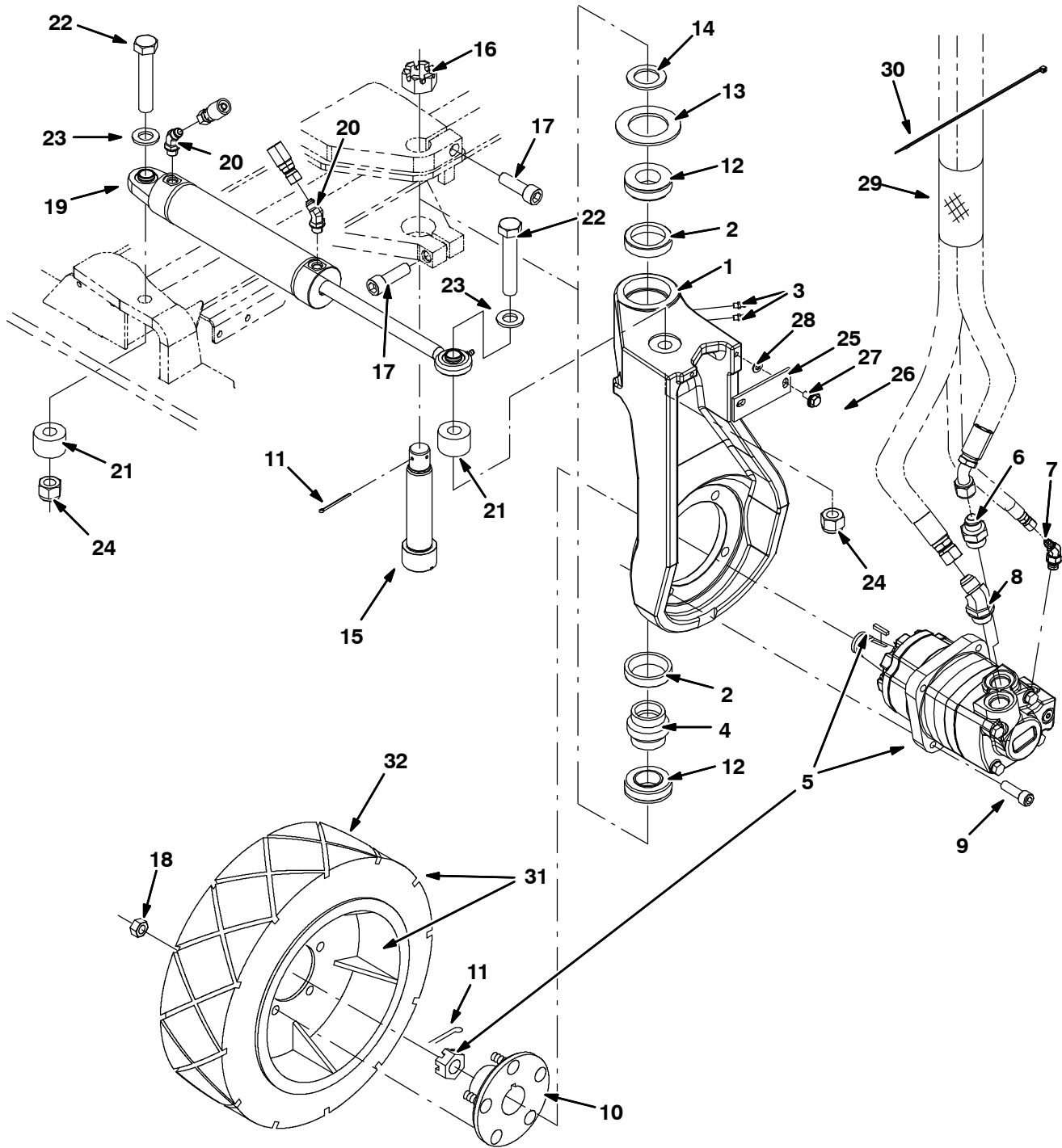


Fig. 20 - Wheel Group, Front Drive

Ref.	Part No.	Serial Number	Description	Qty.	
1	1037940	(000000-	) Housing, Sppt, Rear Wheel	1	
2	51338	(000000-	) Bearing, Cup, 2.56d 0.55w	2	
3	47801	(000000-	) Fitting, Grease, Str Pm04 .63l	2	
4	374560	(000000-	) Seal, Drive, Rear, Grease Cav	1	
5	379609	(000000-	) Motor, Hyd, Gear, Int 19.0 Bi-Dir 3000 (See Breakdown)	1	
6	42223	(000000-	) Fitting, Hyd, Str, Jm10/Om12	1	
7	393215	(000000-	) Fitting, Hyd, E45, Jm04/Om06	1	
8	1024249	(000000-	) Fitting, Hyd, E45, Jm10/Om12	1	
9	19583	(000000-	) Screw, Soc, .50-13 X 1.50, Al	4	
10	54087	(000000-	) Hub Assy, Wheel, 5 Bolt 4.50bc Taper B	1	
11	08180	(000000-	) Pin, Cotter, .125 X 2.00	2	
12	51339	(000000-	) Bearing, Cone, 1.38b 0.71w	2	
13	374563	(000000-	) Washer, Flat, 2.16b 3.50d .16, Felt	1	
14	54051	(000000-	) Washer, Flat, 1.39b 2.12d .13, Stl	1	
15	73281	(000000-	) Bolt, Shld, 1.37d X 5.13l,1.1-18 Drilled	1	
16	54052	(000000-	) Nut, Hex, Sltd, 1.12-18	1	
17	72926	(000000-	) Screw, Soc, M16 X 2.0 X 50, 12.9	2	
18	24339	(000000-	) Nut, Wheel, .50-20 X 60 Angle	5	
19	1017903	(000000-	) Cylinder, Hyd, 2.0b,15.2l,09.00strk,3000	1	
20	47522	(000000-	) Fitting, Hyd, E45, Jm06/Om06	2	
21	71340	(000000-	) Tube, Rnd, 1.75d 0.77b 01.1l, Stl, Pntd	2	
22	71341	(000000-	) Screw, Hex, .75-10 X 4.00, 5	2	
23	39350	(000000-	) Washer, Flat, 0.75 Sae	2	
24	32987	(000000-	) Nut, Hex, Lock, .75-10, NI	2	
25	58842	(000000-	) Bar, Flat, Stl 0.19, 01.50 X 04.1l	1	
26	16931	(000000-	) Screw, Hex, M8 X 1.25 X 20, 8.8	2	
27	32491	(000000-	) Washer, Flat, 0.31, Std	2	
28	39349	(000000-	) Washer, Flat, 0.31 Sae	1	
29	57315	(000000-	) Sleeve, Nyl, #37 05.0l	1	
30	49266	(000000-	) Tie, Cable, Nyl, 07.3l .19w 1.8 Max D	1	
▽	31	84597	(000000-	) Tire Assy, Solid, 18.0X6.0 4.5BC/5Bolt	1
▲	32	84596	(000000-	) Tire, Non-Skid, 18.0X6.0X12.10	1

Fig. 21 - Wheel Group, Rear

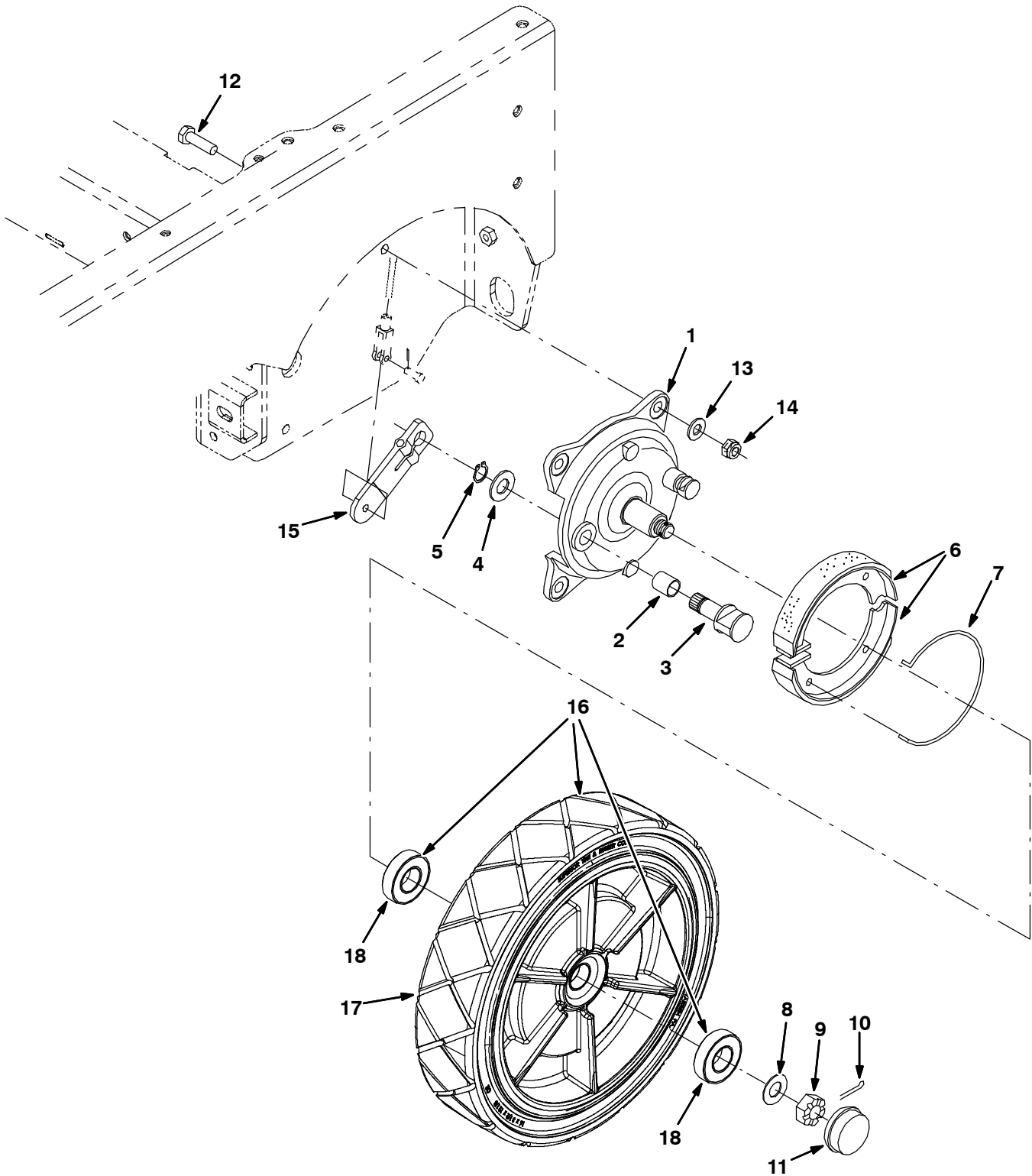




Fig. 21 - Wheel Group, Rear

	Ref.	Part No.	Serial Number	Description	Qty.
▽		360023	(000000-	) Brake Assy, Drum, Mech, 07.0d 1.2w	2
▲	1	360270	(000000-	) Plate, Backing, Brake	1
▲	2	360271	(000000-	) Bushing, Sleeve, 0.78b 0.86d 0.93l, Bnz	1
▲	3	360272	(000000-	) Cam, Plt, Brake [Nickel]	1
▲	4	360273	(000000-	) Washer, Flat, M21.0b X 37d X 3	1
▲	5	360274	(000000-	) Retainer, Ring, Brake	1
▲	6	360275	(000000-	) Shoe, Brake, 180 X 30mm	2
▲	7	360276	(000000-	) Spring, Wir, 0.25d, Return, Brake	1
	8	49145	(000000-	) Washer, Flat, 0.76b 1.50d .06, Ss	2
	9	86659	(000000-	) Nut, Hex, Sltd, .75-16	2
	10	08171	(000000-	) Pin, Cotter, .156 X 2.00	2
	11	54390	(000000-	) Cap, Hub, Dust 2.57d 0.77l	2
	12	06969	(000000-	) Screw, Hex, M12 X 1.75 X 40, 8.8	8
	13	32486	(000000-	) Washer, Flat, 0.50 Sae	8
	14	08711	(000000-	) Nut, Hex, Lock, M12 X 1.75,NI	8
	15	360802	(000000-	) Arm, Lever, Brake, 4.1 [Knott]	2
▽	16	1028203	(000000-	) Tire Assy, Solid, 16.0x3.5, W/ Brg [Ni]	2
▲	17	1028590	(000000-	) Tire, Solid, 16.0 X 3.5 X 12.1 [Nitrile]	1
▲	18	360074	(000000-	) Bearing, Ball, 1.18b 2.44d 0.63w	2

**Fig. 22 - Brake Pedal Linkage Group**

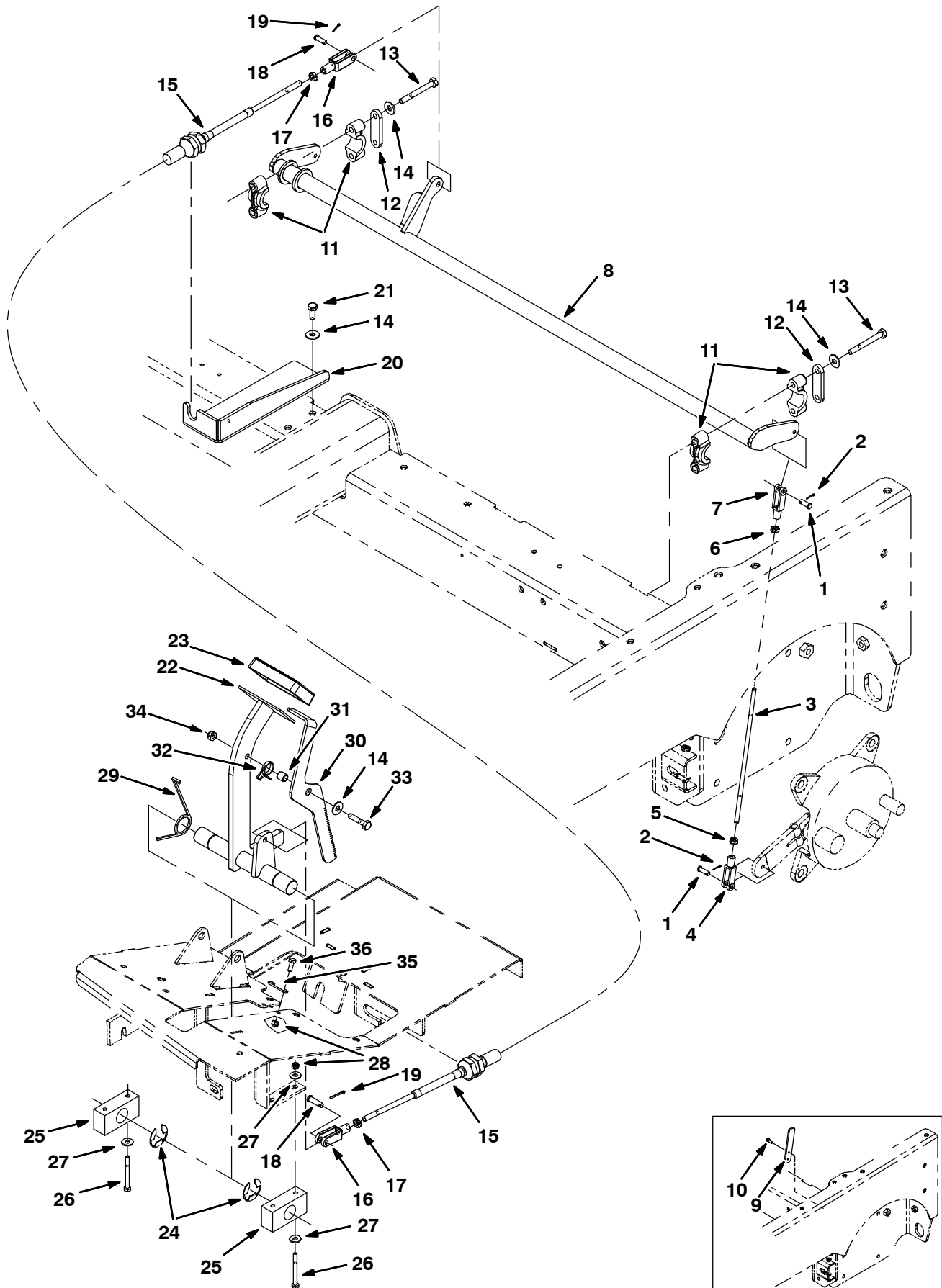
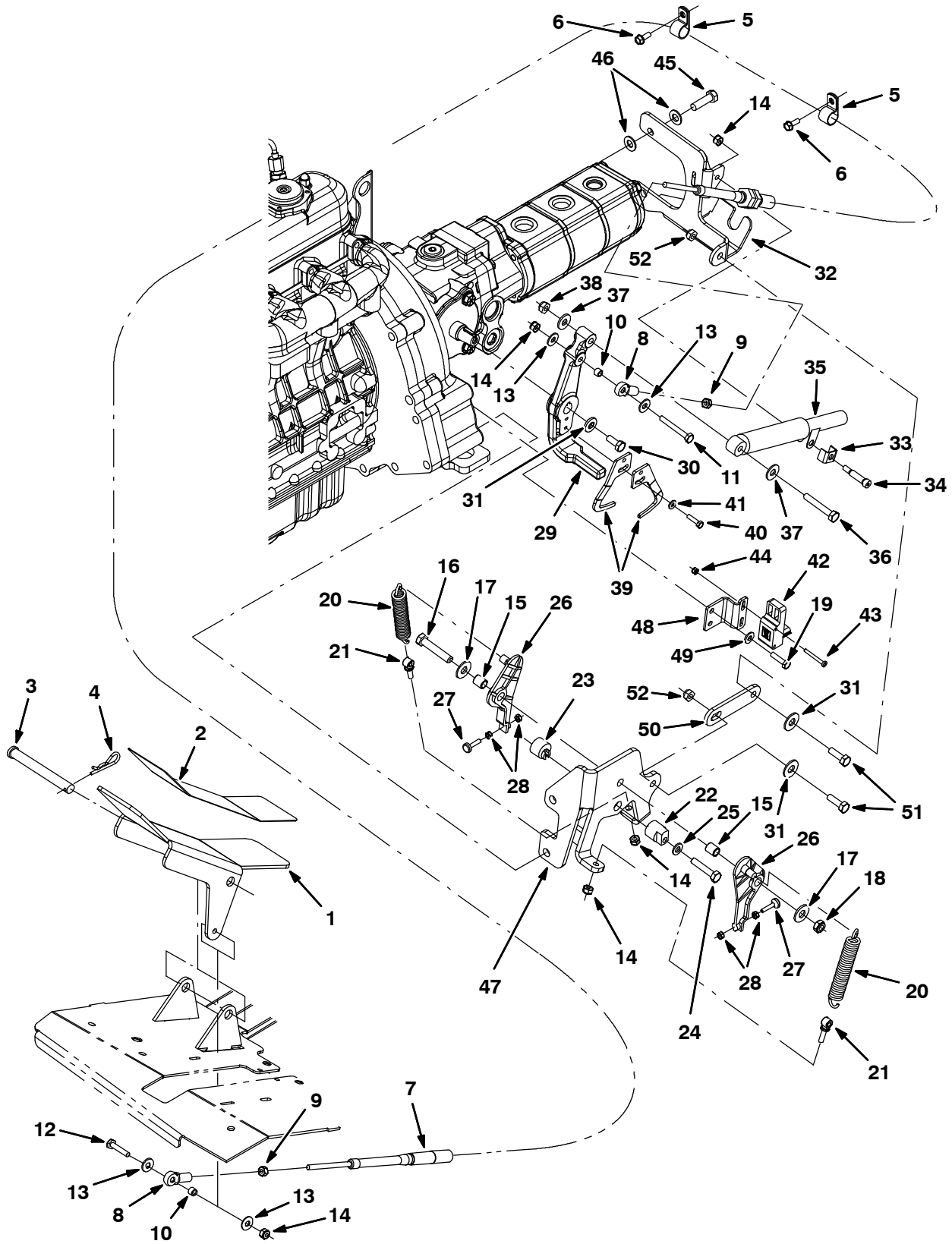


Fig. 22 - Brake Pedal Linkage Group

Ref.	Part No.	Serial Number	Description	Qty.
1	14605	(000000-	) Pin, Clevis, 0.25d X 0.75l	4
2	08170	(000000-	) Pin, Cotter, .062 X 0.50	4
3	364347	(000000-	) Rod	2
4	14595-1	(000000-	) Clevis, Adj, 0.25 Pin, 0.25-28 Rh, Pl	2
5	364948	(000000-	) Nut, Hex, Std, .25-28, Lh	2
6	01714	(000000-	) Nut, Hex, Std, .25-28	2
7	364864	(000000-	) Clevis, Adj, 0.25pin, 0.25-28left Pl	2
8	1022031	(000000-	) Shaft Wldt, Brake	1
9	1026025	(000000-xxxxxx	) Plate, Stop, Brake	2
10	361339	(000000-xxxxxx	) Screw, Hex, M6 X 1.0 X 16, Fmg	4
11	381502	(000000-	) Bearing, Split, 1.00b	4
12	382224	(000000-	) Plate, Sppt	2
13	39279	(000000-	) Screw, Hex, M8 X 1.25 X 70, 8.8	4
14	32491	(000000-	) Washer, Flat, 0.31, Std	7
15	1025495	(000000-	) Cable, Push / Pull, 063.0l 4.0, .31-24	1
16	58311	(000000-	) Clevis, Adj, 0.31 pin, 0.31-24	2
17	20170	(000000-	) Nut, Hex, Jam, .31-24	2
18	69582	(000000-	) Pin, Clevis, 0.31d X 1.00l	2
19	08179	(000000-	) Pin, Cotter, .094 X 1.00	2
20	1022736	(000000-	) Bracket, Mtg, Cable	1
21	16931	(000000-	) Screw, Hex, M8 X 1.25 X 20, 8.8	2
22	1022243	(000000-	) Shaft Wldt, Pedal, Brake	1
23	51109	(000000-	) Pad, Pedal, Brake, 3.96l 2.36w 0.75	1
24	23788	(000000-	) Ring, Retaining, Ext, 0.98d, [E-Ring]	2
25	86751	(000000-	) Bearing, Pillowblock, 1.02b [Solid Pye]	2
26	06548	(000000-	) Screw, Hex, M6 X 1.0 X 60, 8.8	4
27	32490	(000000-	) Washer, Flat, 0.25 Std	8
28	08708	(000000-	) Nut, Hex, Lock, M6 X 1.0, NI	6
29	54607	(000000-	) Spring, Tors, 1.13id .12wir 02.3coil Rh	2
30	1025487	(000000-	) Pedal, Brake, Lock	1
31	46563	(000000-	) Bushing, Sleeve, 0.37b 0.50d 0.50l, Oib	1
32	59009	(000000-	) Spring, Tors, 0.75id .06wir 02.8coil	1
33	06955	(000000-	) Screw, Hex, M8 X 1.25 X 35, 8.8	1
34	08709	(000000-	) Nut, Hex, Lock, M8 X 1.25, NI	1
35	71367	(000000-	) Spring, Wir, 0.08d, Brake, Parking	1
36	06942	(000000-	) Screw, Hex, M6 X 1.0 X 16, 8.8	2

**Fig. 23 - Directional Pedal and Linkage Group, Diesel**



Ref.	Part No.	Serial Number	Description	Qty.
1	1025140	(000000-	) Pedal, Propel	1
2	58819	(000000-	) Tread, Non-Skid, 03.0w 11.6l	1

Fig. 23 - Directional Pedal and Linkage Group, Diesel

Ref.	Part No.	Serial Number	Description	Qty.
3	59668	(000000-	) Pin, Clevis, 0.50 D X 4.50l	1
4	08182	(000000-	) Pin, Cotter, .125 X 1.00	1
5	67767	(000000-	) Clamp, Cable, Stl, 0.69d X 0.62w, 1h	2
6	361339	(000000-	) Screw, Hex, M6 X 1.0 X 16, Fmg	2
7	1022345	(000000-	) Cable, Push / Pull, 098.0l .25-28/.25-28	1
8	68866	(000000-	) Rod-End, .25-28rh Fem 0.25b [Teflon]	2
9	01714	(000000-	) Nut, Hex, Std, .25-28	2
10	65441	(000000-	) Tube, 00.38d 00.26b 00.3l Stl Plt	2
11	41370	(000000-	) Screw, Hex, .25-20 X 2.00, Ss	1
12	42180	(000000-	) Screw, Hex, .25-20 X 1.75, Ss	1
13	32490	(000000-	) Washer, Flat, 0.25 Std	4
14	41169	(000000-	) Nut, Hex, Lock, .25-20, NI, Ss	5
15	63234	(000000-	) Tube, 00.50d 00.38b 00.6l Stl	2
16	42467	(000000-	) Screw, Hex, .38-16 X 2.00, Ss	1
17	32492	(000000-	) Washer, Flat, 0.38 Std	2
18	36643	(000000-	) Nut, Hex, Lock, .38-16, NI, Thin	1
19	21197	(000000-	) Screw, Hex, .38-16 X 1.00, 5	2
20	11842	(000000-	) Spring, Extn, 0.75od X 0.12wir, 4.3l	2
21	48079	(000000-	) Bolt, Eye, .25-20 X 1.40 X .25 Eye	2
22	53947	(000000-	) Cam, Centering, Pintle	1
23	54655	(000000-	) Cam, Centering, Pintle	1
24	74440	(000000-	) Screw, Hex, M8 X 1.25 X 40, Ss, NI	1
25	39349	(000000-	) Washer, Flat, 0.31 Sae	1
26	53953	(000000-	) Arm, Cntrl, Pintle, Centering	2
27	54205	(000000-	) Bumper, Rbr, 0.5d 0.16t M5 X 08	2
28	50335	(000000-	) Nut, Hex, Std, M5 X 0.8, 8	4
29	1027233	(000000-	) Arm, Pintle	1
30	83879	(000000-	) Screw, Hex, .31-24 X 0.75, NI	1
31	41186	(000000-	) Washer, Belleville, .31	3
32	1027313	(000000-	) Bracket Wldt, Propel, Pintle	1
33	84170	(000000-	) Bracket, Retainer, Safety	1
34	16213	(000000-	) Bolt, Shld, .31d X 1.00, .25-20	1
35	73411	(000000-	) Shock Absorber, 2.3 Strk	1
36	39278	(000000-	) Screw, Hex, M8 X 1.25 X 50, 8.8	1
37	32491	(000000-	) Washer, Flat, 0.31 Std	2
38	08709	(000000-	) Nut, Hex, Lock, M8 X 1.25, NI	1
39	1022787	(000000-	) Arm [Positioning]	2
40	09252	(000000-	) Screw, Hex, M5 X 0.8 X 20, 8.8	2
41	01683	(000000-	) Washer, Flat, #10 Ss	2
42	1022779	(000000-	) Sensor, Spd / Dir, 6-30vdc	1
43	09198	(000000-	) Screw, Pan, M4 X 0.7 X 35, Ss	2
44	33932	(000000-	) Nut, Hex, Lock, M4 X 0.7, NI, Ss	2
45	46559	(000000-	) Screw, Hex, .38-16 X 1.25, NI	2
46	32485	(000000-	) Washer, Flat, 0.38 Sae	4
47	1027692	(000000-	) Bracket, Propel, Dsl	1
48	1027742	(000000-	) Bracket, Mtg, Sensor	1
49	32483	(000000-	) Washer, Flat, 0.25, Sae	2
50	1032399	(000000-	) Strap, Sppt	1
51	09010	(000000-	) Screw, Hex, M8 X 1.25 X 25, Ss	2
52	08713	(000000-	) Nut, Hex, Lock, M8 X 1.25, NI, Ss	2

**Fig. 24 - Cylindrical Scrub Brush Drive Group, Left Side**

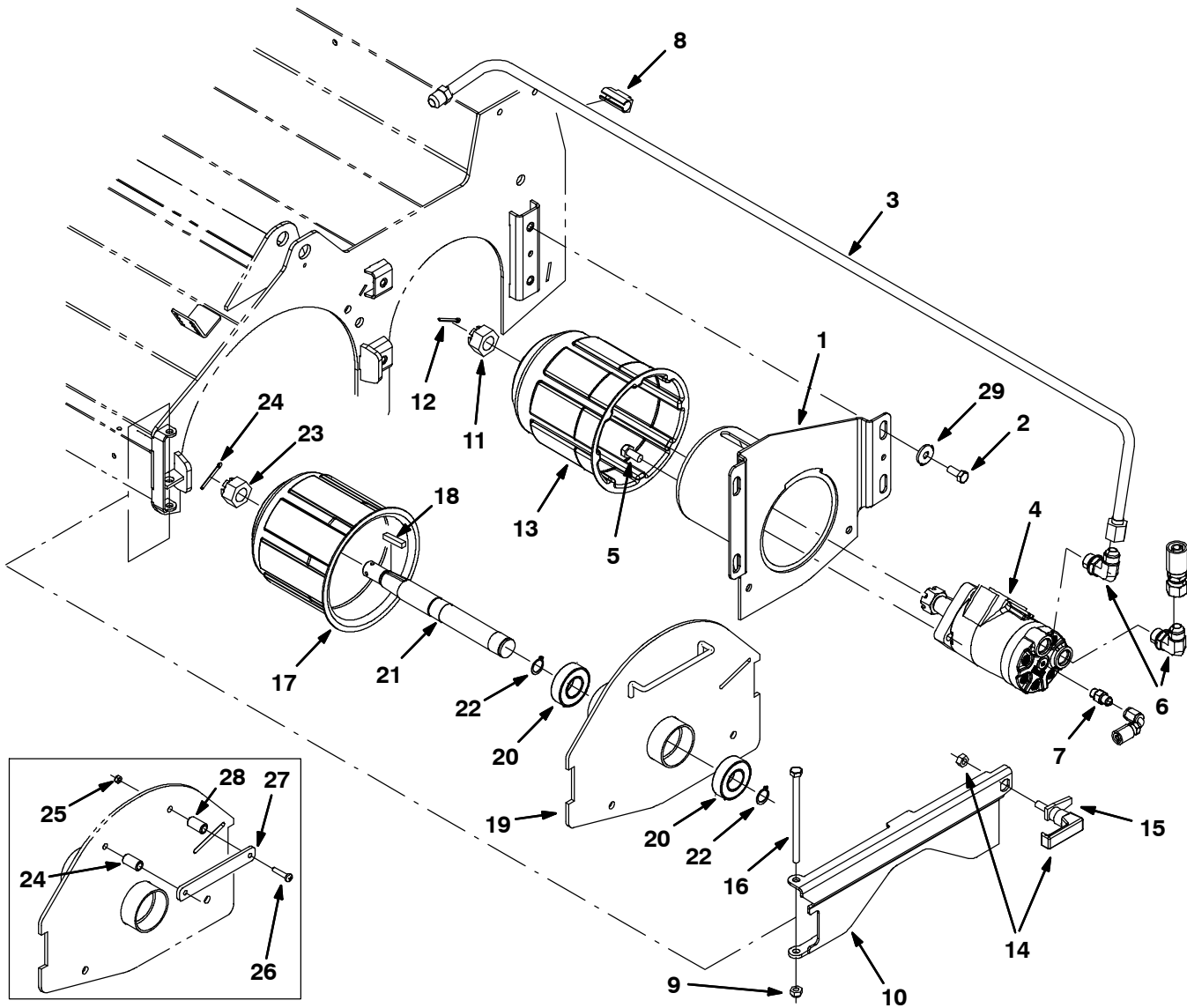


Fig. 24 - Cylindrical Scrub Brush Drive Group, Left Side

Ref.	Part No.	Serial Number	Description	Qty.
1	1021019	(000000-	) Housing Wldt, Brush, Drive	1
2	15675	(000000-	) Screw, Hex, M8 X 1.25 X 16, Ss	4
3	1023617	(000000-	) Tube, Hyd, 08 Jf08/Jm08	1
4	71729	(000000-	) Motor, Hyd, Gear, Int 04.5 Bi-Dir 1500 (See Breakdown)	1
5	01762	(000000-	) Screw, Hex, .38-16 X 0.75, NI	4
6	44868	(000000-	) Fitting, Hyd, E90, Jm08/Om08	2
7	55586	(000000-	) Fitting, Hyd, Str, Jm04/Om04	1
8	1026080	(000000-	) Clamp, Hyd, 0.50d	1
9	08713	(000000-	) Nut, Hex, Lock, M8 X 1.25, NI, Ss	11
10	1029964	(000000-	) Door Wldt, Brush	1
11	12295	(000000-	) Nut, Hex, Sltd, M20 X 2.5, 8	1
12	08175	(000000-	) Pin, Cotter, .125 X 1.25	1
13	87631	(000000-	) Plug Wldt, Drive, Brush, Sweep	1
14	65695	(000000-	) Latch	1
15	1026352	(000000-	) Pawl, Str	1
16	70563	(000000-	) Screw, Hex, M8 X 1.25 X 130, 8.8	1
▽	9006398	(000000-	) Idler Assy, Brush, Replmt [M20/T20, M30]	1
▲	17 25686	(000000-	) Plug Wldt, Drive, Brush	1
▲	18 00927	(000000-	) Key, Sq, 0.25 X 0.25, 1.25l	1
▲	19 1038258	(000000-	) Door Wldt, Brush, Idler	1
▲	20 13534	(000000-	) Bearing, Ball, 0.98b 2.05d 0.59w	2
▲	21 56078	(000000-	) Shaft, Brush, Idler	1
▲	22 09005	(000000-	) Ring, Retaining, Ext, 1.00d, Basic	2
▲	23 12295	(000000-	) Nut, Hex, Sltd, M20 X 2.5, 8	1
▲	24 08175	(000000-	) Pin, Cotter, .125 X 1.25	1
	25 09739	(000000-001558	) Nut, Hex, Lock, M5 X 0.8, NI, Ss	2
	26 17185	(000000-001558	) Screw, Pan, M5 X 0.8 X 40, Ss	2
	27 1032743	(000000-001558	) Plate, Handle	1
	28 222496	(000000-001558	) Sleeve, P/M, 0.31b 0.50d 0.9l [430ss]	2
	29 32491	(000000-	) Washer, Flat, 0.31, Std	4

Fig. 25 - Cylindrical Scrub Brush Drive Group, Right Side

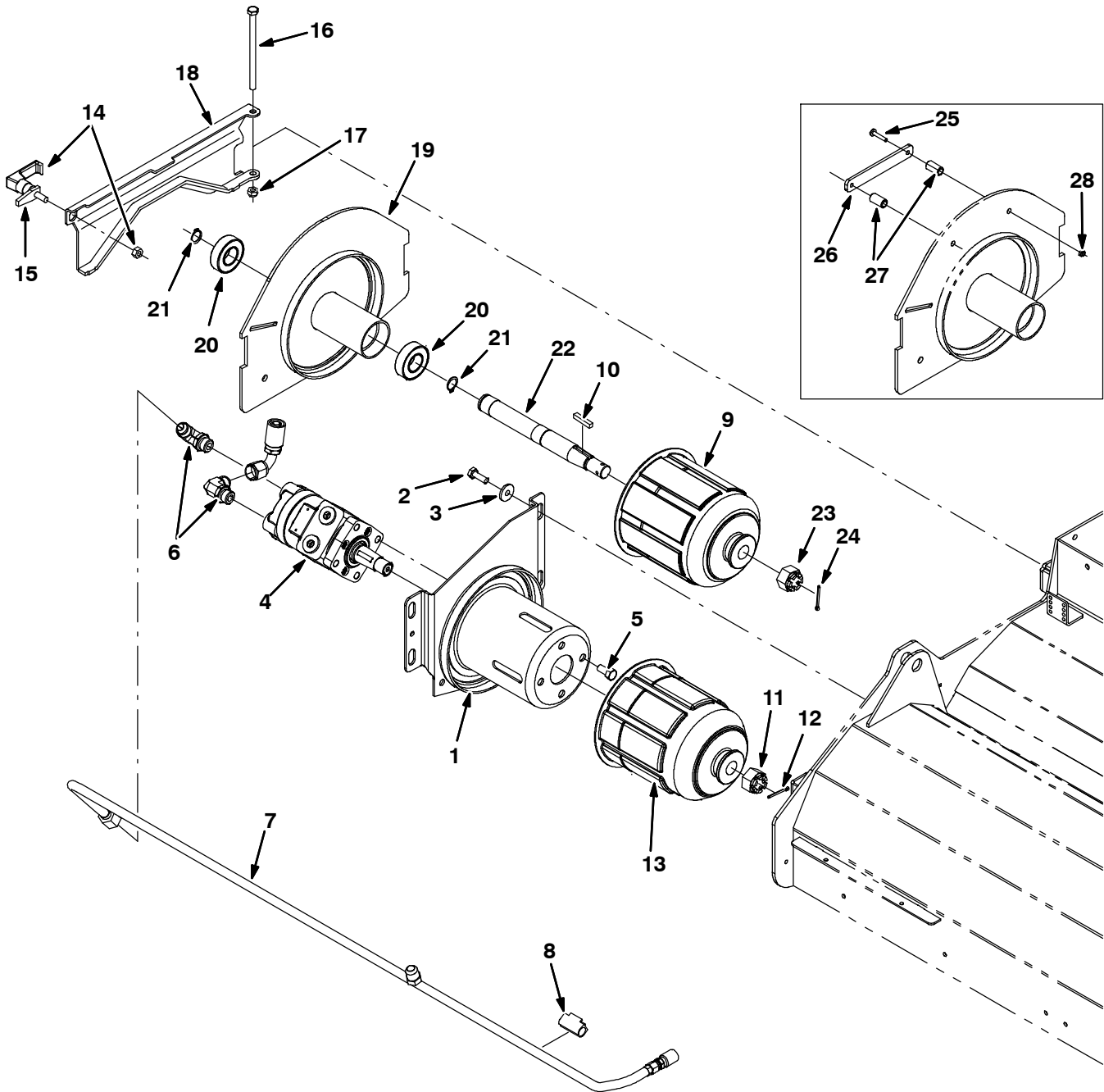




Fig. 25 - Cylindrical Scrub Brush Drive Group, Right Side

Ref.	Part No.	Serial Number	Description	Qty.	
1	1021019	(000000-	) Housing Wldt, Brush, Drive	1	
2	15675	(000000-	) Screw, Hex, M8 X 1.25 X 16, Ss	4	
3	32491	(000000-	) Washer, Flat, 0.31, Std	4	
4	71729	(000000-	) Motor, Hyd, Gear, Int 04.5 Bi-Dir 1500 (See Breakdown)	1	
5	01762	(000000-	) Screw, Hex, .38-16 X 0.75, NI	4	
6	44868	(000000-	) Fitting, Hyd, E90, Jm08/Om08	2	
7	1023303	(000000-	) Tube, Hyd, Brush Return	1	
8	1026080	(000000-	) Clamp, Hyd, 0.50d	1	
9	25686	(000000-	) Plug Wldt, Drive, Brush	1	
10	00927	(000000-	) Key, Sq, 0.25 X 0.25, 1.25l	1	
11	12295	(000000-	) Nut, Hex, Sltd, M20 X 2.5, 8	1	
12	08175	(000000-	) Pin, Cotter, .125 X 1.25	1	
13	87631	(000000-	) Plug Wldt, Drive, Brush, Sweep	1	
14	65695	(000000-	) Latch	1	
15	1026352	(000000-	) Pawl, Str	1	
16	70563	(000000-	) Screw, Hex, M8 X 1.25 X 130, 8.8	1	
17	08713	(000000-	) Nut, Hex, Lock, M8 X 1.25, NI, Ss	1	
18	1029964	(000000-	) Door Wldt, Brush	1	
▽	9006398	(000000-	) Idler Assy, Brush, Replmt [M20/T20, M30]	1	
▲	19	1038258	(000000-	) Door Wldt, Brush, Idler	1
▲	20	13534	(000000-	) Bearing, Ball, 0.98b 2.05d 0.59w	2
▲	21	09005	(000000-	) Ring, Retaining, Ext, 1.00d, Basic	2
▲	22	56078	(000000-	) Shaft, Brush, Idler	1
▲	23	12295	(000000-	) Nut, Hex, Sltd, M20 X 2.5, 8	1
▲	24	08175	(000000-	) Pin, Cotter, .125 X 1.25	1
	25	17185	(000000-001558 )	Screw, Pan, M5 X 0.8 X 40, Ss	2
	26	1032743	(000000-001558 )	Plate, Handle	1
	27	222496	(000000-001558 )	Sleeve, P/M, 0.31b 0.50d 0.9l [430ss]	2
	28	09739	(000000-001558 )	Nut, Hex, Lock, M5 X 0.8, NI, Ss	2

Fig. 26 - Cylindrical Scrub Brush Head Lift Group

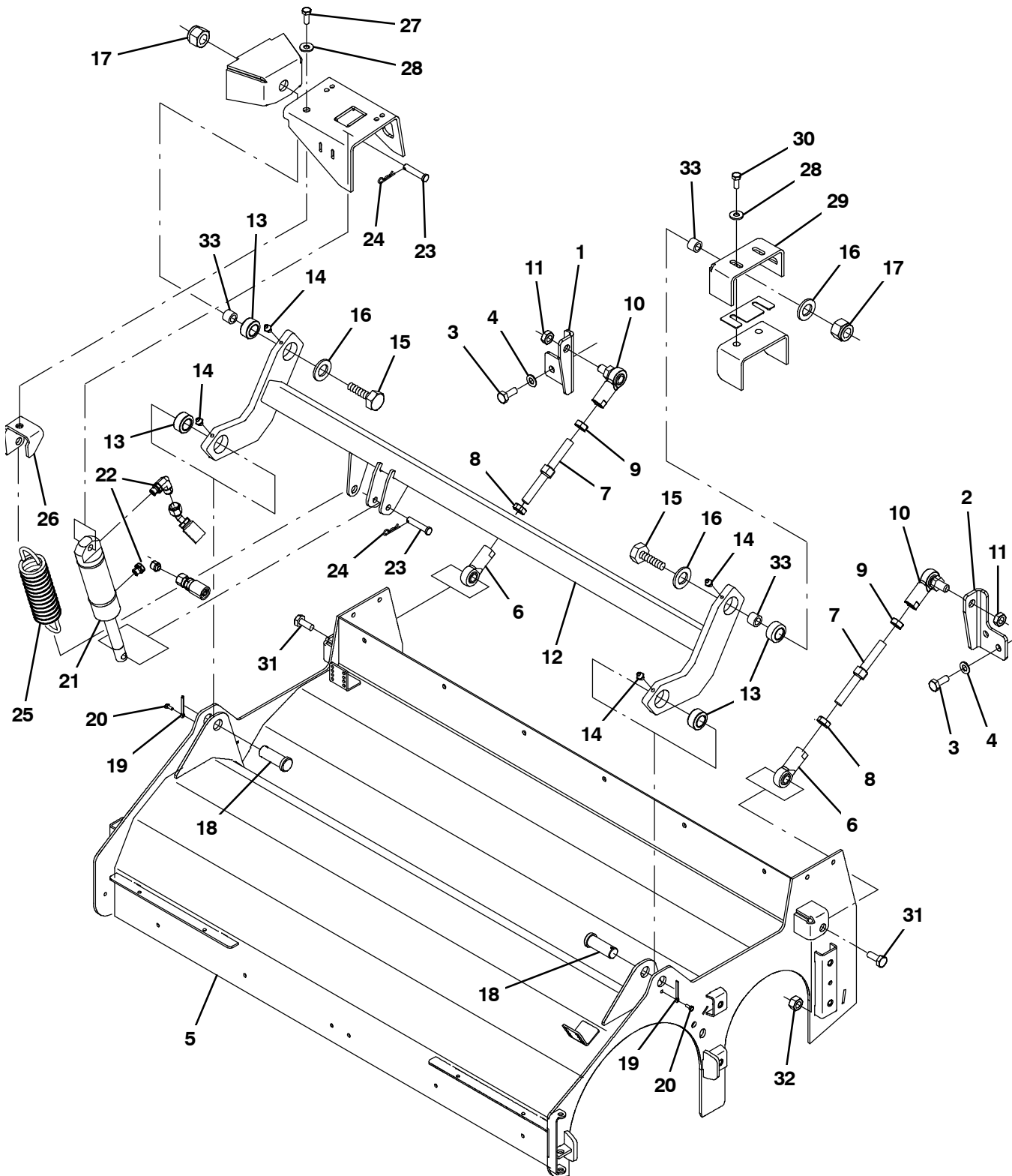


Fig. 26 - Cylindrical Scrub Brush Head Lift Group

Ref.	Part No.	Serial Number	Description	Qty.
1	1030910	(000000-	) Bracket, Mtg, Scb Head, Rh	1
2	1030911	(000000-	) Bracket, Mtg, Scb Head, Lh	1
3	09028	(000000-	) Screw, Hex, M10 X 1.5 X 25, Ss	4
4	32485	(000000-	) Washer, Flat, 0.38 Sae	4
5	1020002	(000000-	) Housing Wldt, Swp, Scb	1
6	67555	(000000-	) Rod-End, .50-20rh Fem 0.50b	2
7	1014705	(000000-	) Rod, Thrd, 2 End, .50-20 04.9l, Rh / Lh	2
8	48985	(000000-	) Nut, Hex, Jam, .50-20	2
9	71369	(000000-	) Nut, Hex, Jam, .50-20, Lh	2
10	382099	(000000-	) Rod-End, .50-20lh Fem 0.50-20stud	2
11	51824	(000000-	) Nut, Hex, Lock, .50-20, NI, Thin	2
12	1020003	(000000-	) Tube Wldt, Torque	1
13	42120	(000000-	) Bearing, Self Align, 0.75b 1.25d	4
14	07259	(000000-	) Fitting, Grease, Str Pm04 .47l	4
15	06969	(000000-	) Screw, Hex, M12 X 1.75 X 40, 8.8	2
16	41619	(000000-	) Washer, Flat, 0.56b 1.38d .11, Ss	2
17	09741	(000000-	) Nut, Hex, Lock, M12 X 1.75, NI, Ss	2
18	04733-12	(000000-	) Pin, Clevis, 0.75d X 2.00l	2
19	08236	(000000-	) Pin, Cotter, .156 X 1.25	2
20	223198	(000000-	) Screw, Hex, M5 X 0.8 X 10, Fmg	2
21	1038137	(000000-	) Cylinder, Hyd, 1.5b 07.8l 02.80strk 2500	1
22	77098	(000000-	) Fitting, Hyd, E90, Jm06/Om04	2
23	17461	(000000-	) Pin, Clevis, 0.37d X 1.75l	2
24	86866	(000000-	) Pin, Cotter, Hair, 0.38d .072 Wir	2
25	1031413	(000000-	) Spring, Extn, 1.68od X .203wir, 7.5l	1
26	1027810	(000000-	) Bracket, Mtg, Spring	1
27	763090	(000000-	) Screw, Hex, M8 X 1.25 X 60, FI	1
28	32491	(000000-	) Washer, Flat, 0.31, Std	4
29	1019146	(000000-	) Bracket, Mtg, Lift, Scb Head	1
30	09740	(000000-	) Screw, Hex, M8 X 1.25 X 20, Ss	3
31	39811	(000000-	) Screw, Hex, .50-13 X 1.50, 5	2
32	36644	(000000-	) Nut, Hex, Lock, .50-13, NI, Thin	2
33	1025100	(000000-	) Sleeve, P/M, 0.47b 0.75d 0.5l [430ss]	3

Fig. 27 - Cylindrical Brush Head Skirt Group

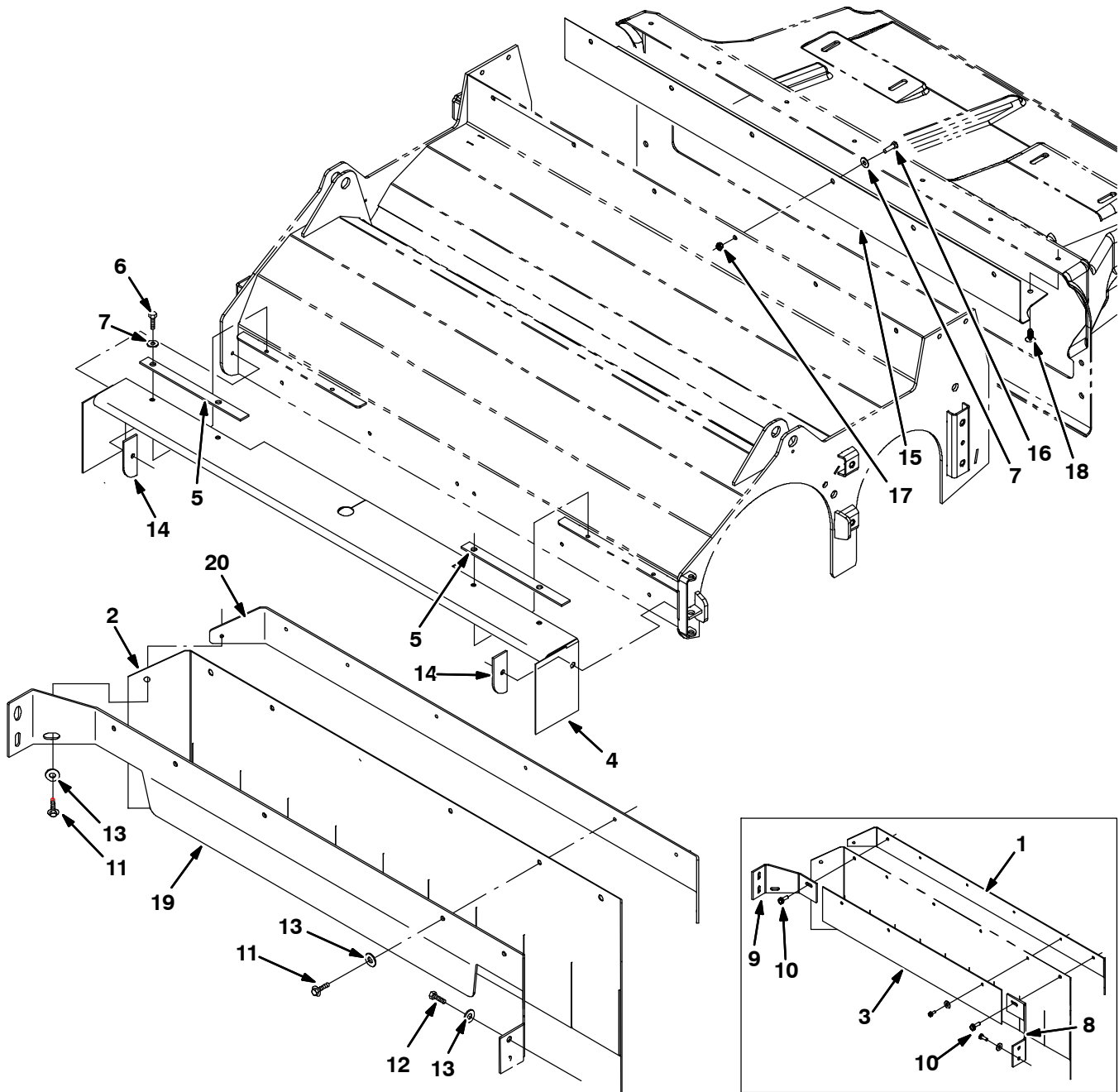


Fig. 27 - Cylindrical Brush Head Skirt Group

Ref.	Part No.	Serial Number	Description	Qty.
1	1020208	(000000-001603 )	Plate, Skirt, Front	1
2	1020166	(000000-	Skirt, Neo, .06, 12.00w 45.88l, 07 Hole	1
3	1020207	(000000-001603 )	Retainer, Skirt, Front	1
4	1022363	(000000-	Skirt, Neo, .06, 07.63w 51.52l, 11 Hole	1
5	1022003	(000000-	Retainer, Skirt	2
6	361339	(000000-	Screw, Hex, M6 X 1.0 X 16, Fmg	6
7	01684	(000000-	Washer, Flat, 0.25, Ss	16
8	1024570	(000000-001603 )	Bracket, Mtg, Skirt	1
9	1020163	(000000-001603 )	Bracket, Mtg, Skirt	1
10	76099	(000000-001603 )	Screw, Hex, M8 X 1.25 X 25, Fmg	4
11	361339	(000000-	Screw, Hex, M6 X 1.0 X 16, Fmg	8
12	09740	(000000-	Screw, Hex, M8 X 1.25 X 20, Ss	4
13	01685	(000000-	Washer, Flat, 0.31, Ss	9
14	1022359	(000000-	Plate, Mtg, Skirt, Scb Head	2
15	1025826	(000000-	Angle, Deflector	1
16	08716	(000000-	Screw, Hex, M6 X 1.0 X 20, Ss	4
17	08712	(000000-	Nut, Hex, Lock, M6 X 1.00, Ss, NI	4
18	21168	(000000-	Clip, .250h, Plstc [Pine-tree]	7
19	1039396	(001604-	Bracket, Mtg, Skirt	1
20	1040018	(001604-	Plate, Skirt, Front	1

**Fig. 28 - Disk Scrub Head Drive Motor Group**

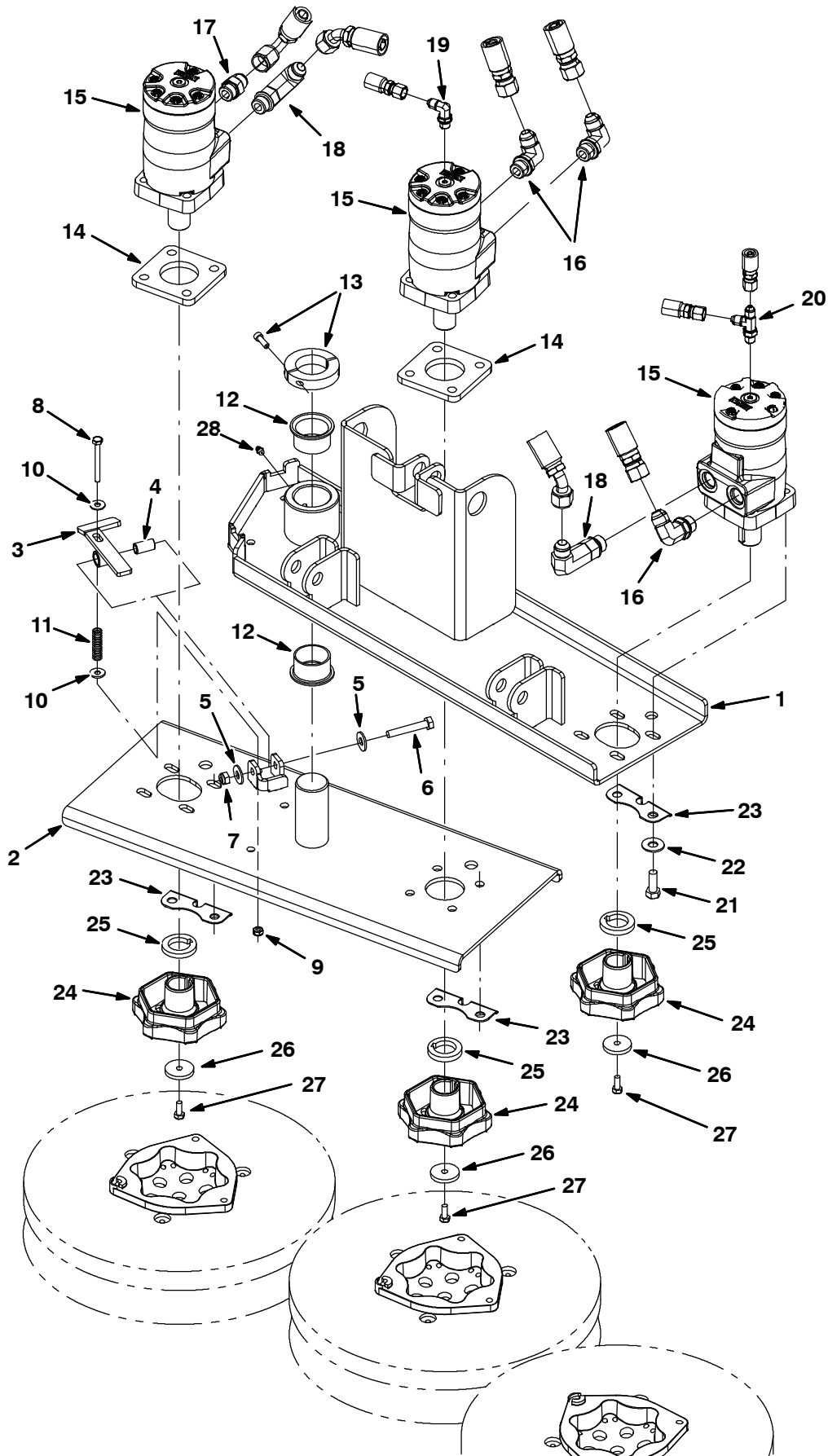


Fig. 28 - Disk Scrub Head Drive Motor Group

Ref.	Part No.	Serial Number	Description	Qty.
	1	9003247	(000000- ) Head Wldt, Disk, Std, Replmt	1
	1	9003249	(000000- ) Head Wldt, Disk, Replmt, Jp (Japn Only)	1
1026101	2	9003247	(000000- ) Head Wldt, Disk, Std, Replmt	1
▽		9003061	(000000- ) Latch Kit, Disk, Replmt [T20]	1
▲	3	1031286	(000000- ) Latch Wldt, Head, Disk	1
▲	4	222496	(000000- ) Sleeve, P/M, 0.31b 0.50d 0.9l [430ss]	1
▲	5	01685	(000000- ) Washer, Flat, 0.31, Ss	2
▲	6	49694	(000000- ) Screw, Hex, M8 X 1.25 X 50, Ss	1
▲	7	08713	(000000- ) Nut, Hex, Lock, M8 X 1.25, NI, Ss	1
▲	8	58979	(000000- ) Screw, Hex, M6 X 1.0 X 55, Ss	1
▲	9	08712	(000000- ) Nut, Hex, Lock, M6 X 1.00, Ss, NI	1
▲	10	01684	(000000- ) Washer, Flat, 0.25, Ss	2
▲	11	1031217	(000000- ) Spring, Cmpr, 0.42od .06wir 1.50l	1
	12	54620	(000000- ) Bushing, Flng, 1.50b 1.65d 1.00l	2
	13	70624	(000000- ) Collar, Split, 1.50b .50w 2/Bolt	1
	14	1025968	(000000- ) Spacer	2
	15	1024407	(000000- ) Motor, Hyd, Gear, Int 09.7 Bi-Dir 2500	3
	16	44868	(000000- ) Fitting, Hyd, E90, Jm08/Om08	3
	17	44869	(000000- ) Fitting, Hyd, Str, Jm08/Om08	1
	18	69173	(000000- ) Fitting, Hyd, E90, Jm08/Om08, L	2
	19	77097	(000000- ) Fitting, Hyd, E90, Jm04/Om04	1
	20	34390	(000000- ) Fitting, Hyd, Tee, Jm04/Jm04/Om04, Run	1
	21	21197	(000000- ) Screw, Hex, .38-16 X 1.00, G5	12
	22	32492	(000000- ) Washer, Flat, 0.38, Std	12
	23	1028495	(000000- ) Brkt, Ftg	3
	24	1042963	(000000- ) Hub, Drive, Brush, Disk, 1.00B [6T]	3
	25	25611	(000000- ) Spacer, Hub, Keyed	3
	26	19191	(000000- ) Spacer	3
	27	25046	(000000- ) Screw, Hex, .25-20 X 1.00, G5	3
	28	07259	(000000- ) Fitting, Grease. Str Pm04 .47L	1

**Fig. 29 - Disk Scrub Head Lift Group**

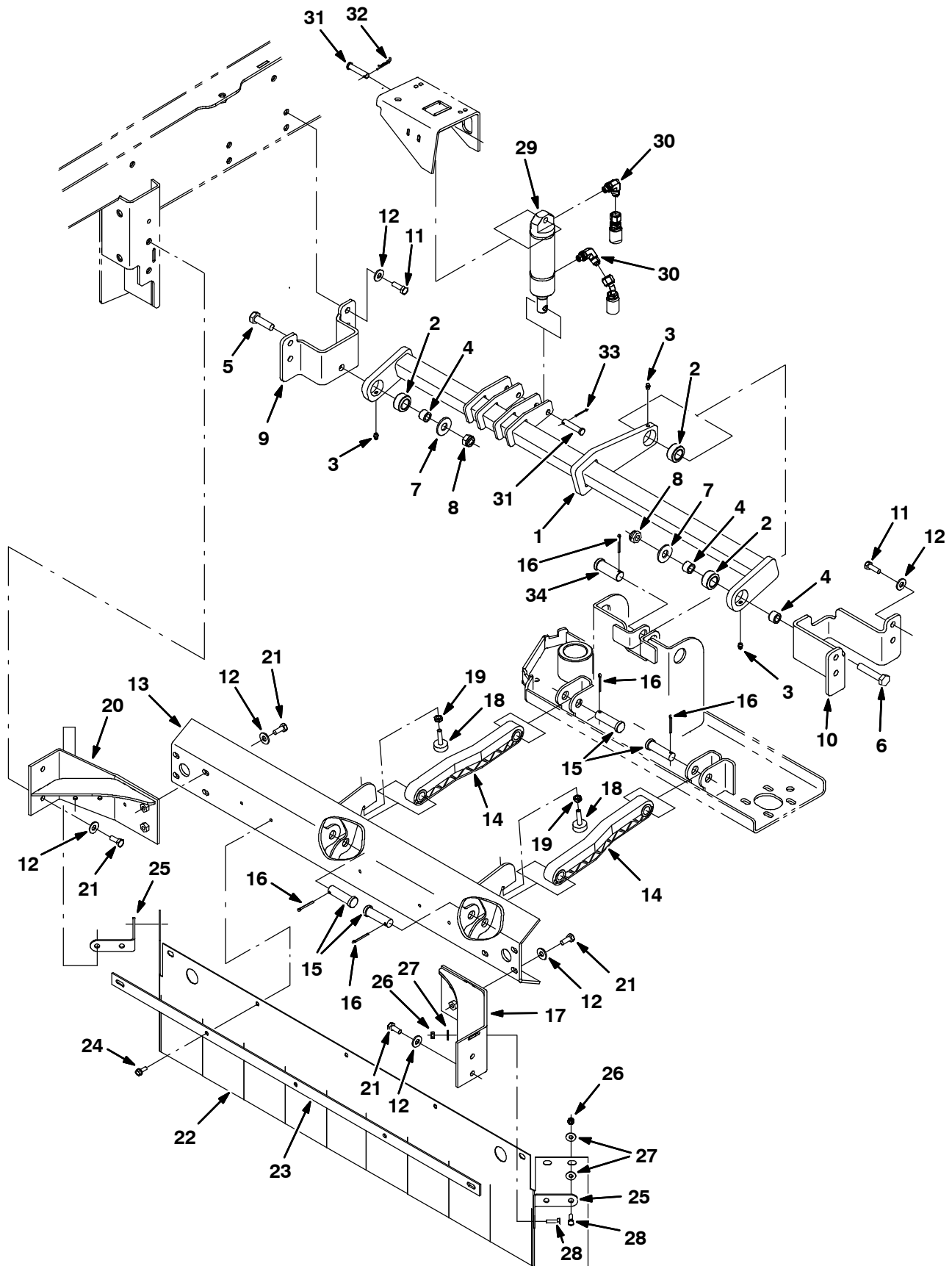




Fig. 29 - Disk Scrub Head Lift Group

Ref.	Part No.	Serial Number	Description	Qty.
1	1026130	(000000-	) Tube Wldt, Torque	1
2	42120	(000000-	) Bearing, Self Align, 0.75b 1.25d	3
3	07259	(000000-	) Fitting, Grease, Str Pm04 .47l	3
4	1025100	(000000-	) Sleeve, P/M, 0.47b 0.75d 0.5l [430ss]	3
5	06969	(000000-	) Screw, Hex, M12 X 1.75 X 40, 8.8	1
6	06972	(000000-	) Screw, Hex, M12 X 1.75 X 60, 8.8	1
7	41619	(000000-	) Washer, Flat, 0.56b 1.38d .11, Ss	2
8	09741	(000000-	) Nut, Hex, Lock, M12 X 1.75, NI, Ss	2
9	1025041	(000000-	) Bracket, Mtg, Torque Tube	1
10	1030558	(000000-	) Bracket, Mtg, Torque Tube	1
11	09010	(000000-	) Screw, Hex, M8 X 1.25 X 25, Ss	8
12	32491	(000000-	) Washer, Flat, 0.31, Std	16
13	1039469	(000000-	) Bracket Wldt, Arm, Lower Cntrl	1
14	222027	(000000-	) Arm, Lift, Head [5700]	2
15	222210	(000000-	) Pin, Clevis, 0.62d X 2.12l	44
16	08175	(000000-	) Pin, Cotter, .125 X 1.25	5
17	1025198	(000000-	) Bracket Wldt, Head, Lower, Lh	1
18	1039468	(000000-	) Bumper, Rbr, 1.00d 0.38th M8x1.25	2
19	07786	(000000-	) Nut, Hex, Std, M8 X 1.25, Ss	2
20	1025320	(000000-	) Bracket Wldt, Head, Lower, Rh	1
21	09740	(000000-	) Screw, Hex, M8 X 1.25 X 20, Ss	8
22	1028433	(000000-	) Skirt, Front, Disk Head	1
23	1028446	(000000-	) Retainer, Skirt, Disk Head	1
24	361339	(000000-	) Screw, Hex, M6 X 1.0 X 16, Fmg	5
25	1028440	(000000-	) Bracket, Angle, Sppt, Shield	2
26	08712	(000000-	) Nut, Hex, Lock, M6 X 1.00, Ss, NI	8
27	01684	(000000-	) Washer, Flat, 0.25, Ss	12
28	08716	(000000-	) Screw, Hex, M6 X 1.0 X 20, Ss	8
29	379030	(000000-	) Cylinder, Hyd, 1.5b,07.8l,02.80strk,2500	1
30	77098	(000000-	) Fitting, Hyd, E90, Jm06/Om04	2
31	17461	(000000-	) Pin, Clevis, 0.37d X 1.75l	2
32	86866	(000000-	) Pin, Cotter, Hair, 0.38d .072 Wir	1
33	08179	(000000-	) Pin, Cotter, .094 X 1.00	1
34	04733-12	(000000-	) Pin, Clevis, 0.75d X 2.00l	1

**Fig. 30 - Rear Squeegee Lift Group**

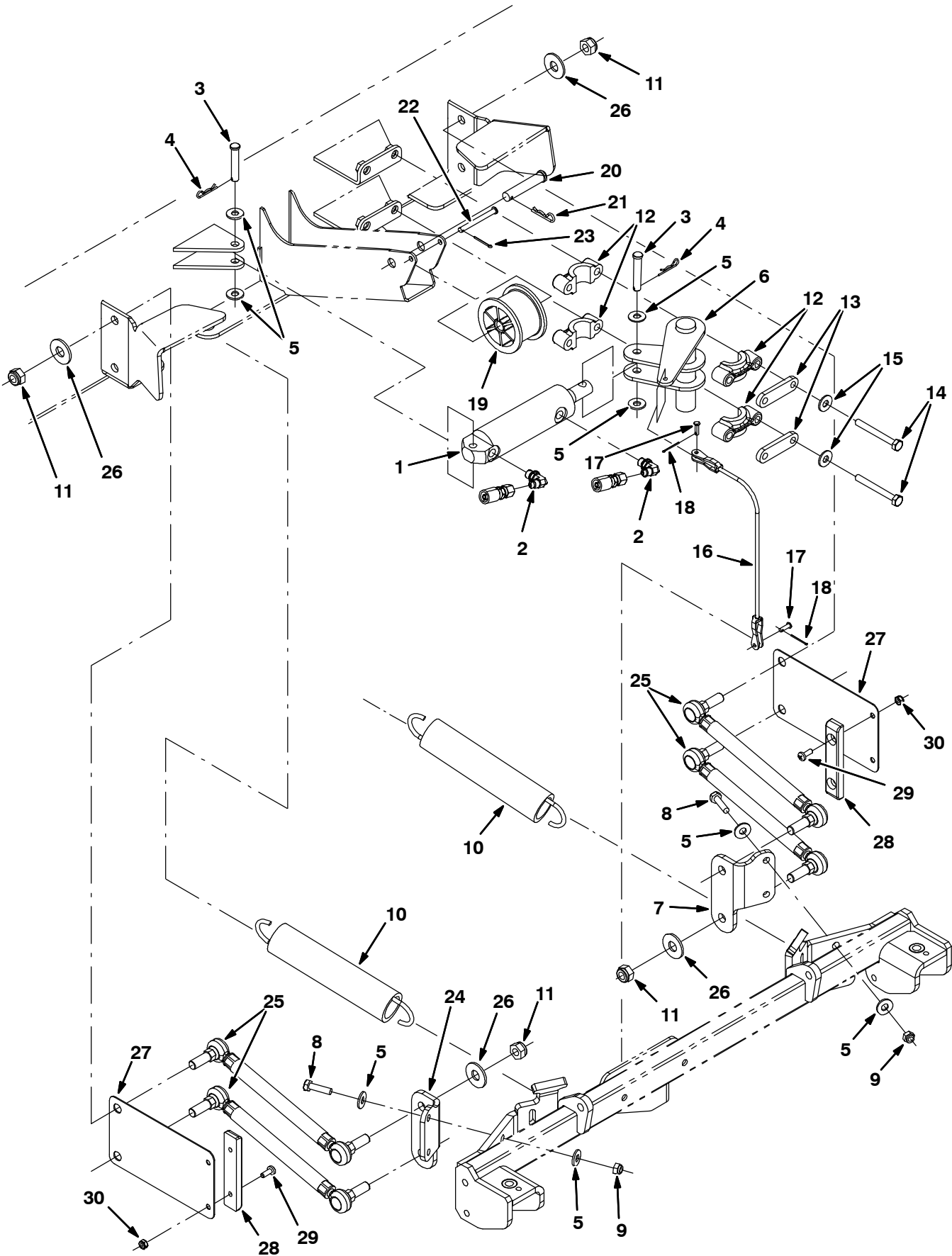


Fig. 30 - Rear Squeegee Lift Group

Ref.	Part No.	Serial Number	Description	Qty.	
1	379030	(000000-	) Cylinder, Hyd, 1.5b,07.8l,02.80strk,2500	1	
2	77097	(000000-	) Fitting, Hyd, E90, Jm04/Om04	2	
3	29584	(000000-	) Pin, Clevis, 0.37d X 2.00l	2	
4	86866	(000000-	) Pin, Cotter, Hair, 0.38d .072 Wir	2	
5	01685	(000000-	) Washer, Flat, 0.31, Ss	12	
6	1022903	(000000-	) Shaft Wldt, Arm, Lift	1	
7	1026804	(000000-	) Angle, Protector, Lh	1	
8	09011	(000000-	) Screw, Hex, M8 X 1.25 X 30, Ss	4	
9	08713	(000000-	) Nut, Hex, Lock, M8 X 1.25, NI, Ss	4	
10	71100	(000000-	) Spring, Extn, 1.69od X 0.20wir, 9.5l	2	
11	09741	(000000-	) Nut, Hex, Lock, M12 X 1.75, NI, Ss	8	
12	381502	(000000-	) Bearing, Split, 1.00b	4	
13	382224	(000000-	) Plate, Sppt	2	
14	09767	(000000-	) Screw, Hex, M8 X 1.25 X 70, Ss	4	
15	32491	(000000-	) Washer, Flat, 0.31, Std	4	
16	71101	(000000-	) Cable, Ss .12d 013.3l .2clevis /.2clevis	1	
17	77488	(000000-	) Pin, Clevis, 0.19d X 0.63l	2	
18	39005	(000000-	) Pin, Cotter, .094X0.75	2	
19	223054	(000000-	) Drum, Cable, Lift	1	
20	06279	(000000-	) Pin, Clevis, 0.50d X 2.50l	1	
21	08179	(000000-	) Pin, Cotter, .094 X 1.00	1	
22	04733-10	(000000-	) Pin, Clevis, 0.25d X 2.44l	1	
23	08178	(000000-	) Pin, Cotter, .062 X 0.75	1	
24	1026806	(000000-	) Angle, Protector, Rh	1	
25	1026007	(000000-	) Link Assy, Rod-End, M12	4	
26	41619	(000000-	) Washer, Flat, 0.56b 1.38d .11, Ss	8	
▽	9003060	(000000-	) Spring Kit, Flat, Replmt [T20]	1	
▲	27	1028049	(000000-	) Spring, Flat, .06 X 4.13 X 6.5l 4 Hole	2
▲	28	1024648	(000000-	) Block, Centering	4
▲	29	367770	(000000-	) Screw, Pan, M6 X 1.0 X 16, Ss	4
▲	30	08712	(000000-	) Nut, Hex, Lock, M6 X 1.00, Ss, NI	4

**Fig. 31 - Cylindrical Scrub Head Debris Tray Mount Group**

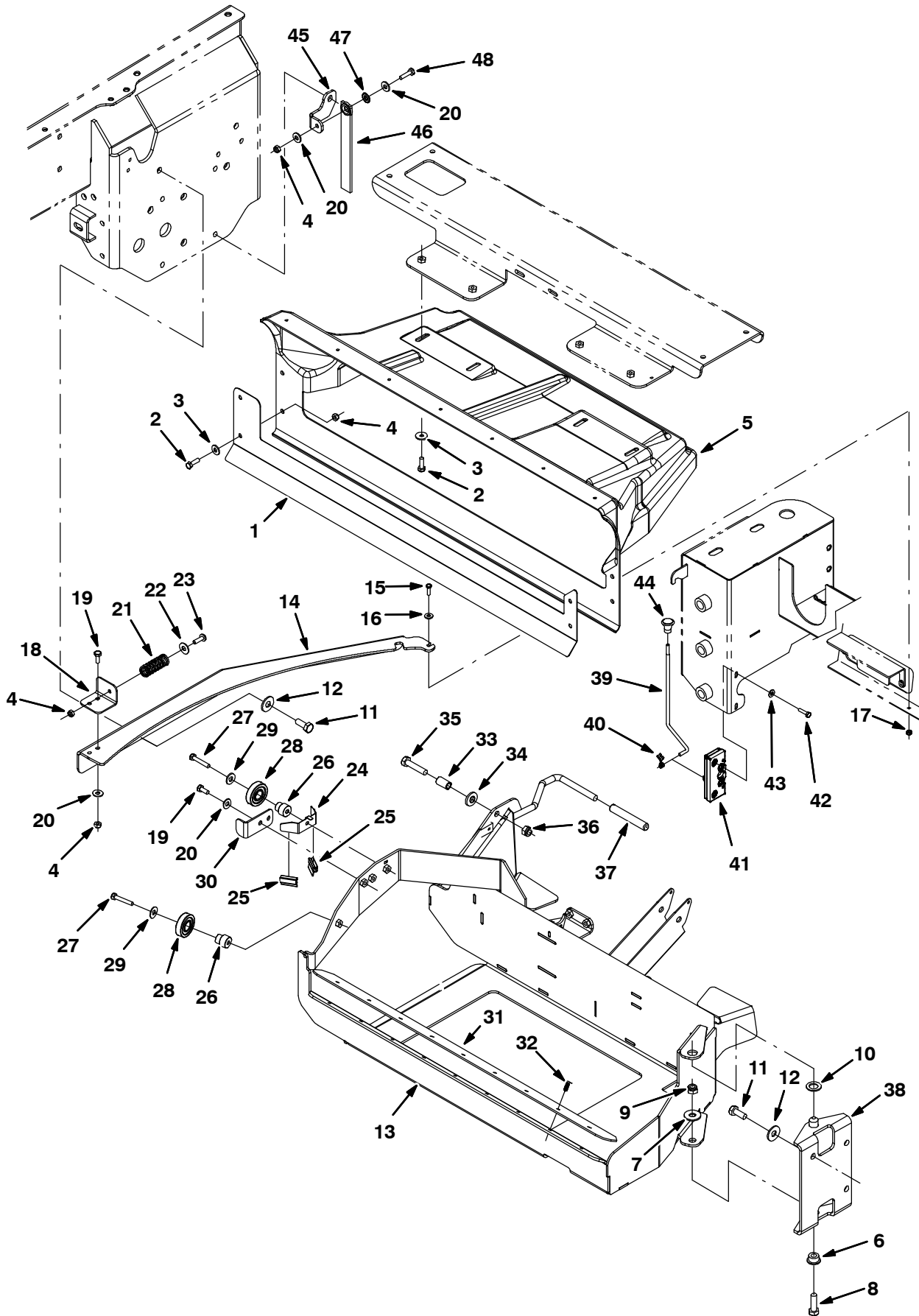


Fig. 31 - Cylindrical Scrub Head Debris Tray Mount Group

Ref.	Part No.	Serial Number	Description	Qty.
▽		9003059	(000000- ) Shield Kit, Debris, Replmt [T20]	1
▲	1	1028334	(000000- ) Bracket, Sppt, Shield	1
▲	2	09010	(000000- ) Screw, Hex, M8 X 1.25 X 25, Ss	8
▲	3	1017218	(000000- ) Washer, Flat, 0.32b 1.00d .12, Ss	8
▲	4	08713	(000000- ) Nut, Hex, Lock, M8 X 1.25, NI, Ss	8
▲	5	1024658	(000000- ) Shield, Tray, Debris [Trimmed]	1
	6	391804	(000000- ) Sleeve, Flng, 0.48b 1.25/0.88d 0.6l, Stl	1
	7	32493	(000000- ) Washer, Flat, 0.50, Std	1
	8	09029	(000000- ) Screw, Hex, M12 X 1.75 X 40, Ss	1
	9	09741	(000000- ) Nut, Hex, Lock, M12 X 1.75, NI, Ss	1
	10	53782	(000000- ) Bearing, Thrust, 0.75b 1.25d 0.06w	1
	11	12309	(000000- ) Screw, Hex, M12 X 1.75 X 30, Ss	6
	12	32493	(000000- ) Washer, Flat, 0.50, Std	6
	13	1023334	(000000- ) Frame Wldt, Hppr	1
	14	1022683	(000000- ) Guide, Rlr	1
	15	08716	(000000- ) Screw, Hex, M6 X 1.0 X 20, Ss	1
	16	01684	(000000- ) Washer, Flat, 0.25, Ss	1
	17	08712	(000000- ) Nut, Hex, Lock, M6 X 1.00, Ss, NI	1
	18	1027108	(000000- ) Bracket, Spring	1
	19	09740	(000000- ) Screw, Hex, M8 X 1.25 X 20, Ss	4
	20	01685	(000000- ) Washer, Flat, 0.31, Ss	6
	21	45261	(000000- ) Spring, Cmpr, 0.97od .11wir 2.5l	1
	22	01686	(000000- ) Washer, Flat, 0.44b 1.00d .08, Ss	1
	23	367771	(000000- ) Screw, Pan, M8 X 1.25 X 25, Ss	1
	24	1027147	(000000- ) Clip, Wiper	1
	25	1031351	(000000- ) Seal, Wiper	2
	26	1023685	(000000- ) Spacer, Rlr	2
	27	222505	(000000- ) Screw, Hex, M8 X 1.25 X 45, Ss	2
	28	760740	(000000- ) Bearing, Rlr, Cam 52 X 14 X 20	2
	29	1017218	(000000- ) Washer, Flat, 0.32b 1.00d .12, Ss	2
	30	1027143	(000000- ) Bracket, Angle, Stop	1
▽	31	9003058	(000000- ) Lip Kit, Debris, Replmt [T20]	1
▲	32	21168	(000000- ) Clip, .250h, Plstc [Pine-Tree]	9
	33	1039348	(000000- ) Sleeve, 0.49b 0.68d 1.2l [304ss]	1
	34	36328	(000000- ) Washer, Flat, Belleville, .50	1
	35	379870	(000000- ) Screw, Hex, M12 X 1.75 X 55, Ss	1
	36	09741	(000000- ) Nut, Hex, Lock, M12 X 1.75, NI, Ss	1
	37	1028249	(000000- ) Grip, Handle, .50d 4.0l Yel	1
	38	1022668	(000000- ) Bracket Wldt, Pivot	1
	39	1023917	(000000- ) Rod, Latch	1
	40	1031305	(000000- ) Clip, Retainer, .25d	1
	41	21623	(000000- ) Latch	1
	42	09007	(000000- ) Screw, Hex, M6 X 1.0 X 25, Ss	2
	43	41185	(000000- ) Washer, Flat, Belleville, .25	2
	44	1032546	(000000- ) Knob, Rnd, 1.04d 1.18l .25-20 Yel Plstc	1
	45	1031152	(000000- ) Bracket, Mtg, Static Strap	1
	46	71579	(000000- ) Strap, Static, .19 1.1w 25.0l W/ Grommet	1
	47	41141	(000000- ) Washer, Lock, Int-Ext, 0.31	1
	48	09011	(000000- ) Screw, Hex, M8 X 1.25 X 30, Ss	1

Fig. 32 - Cylindrical Scrub Head Debris Tray Group

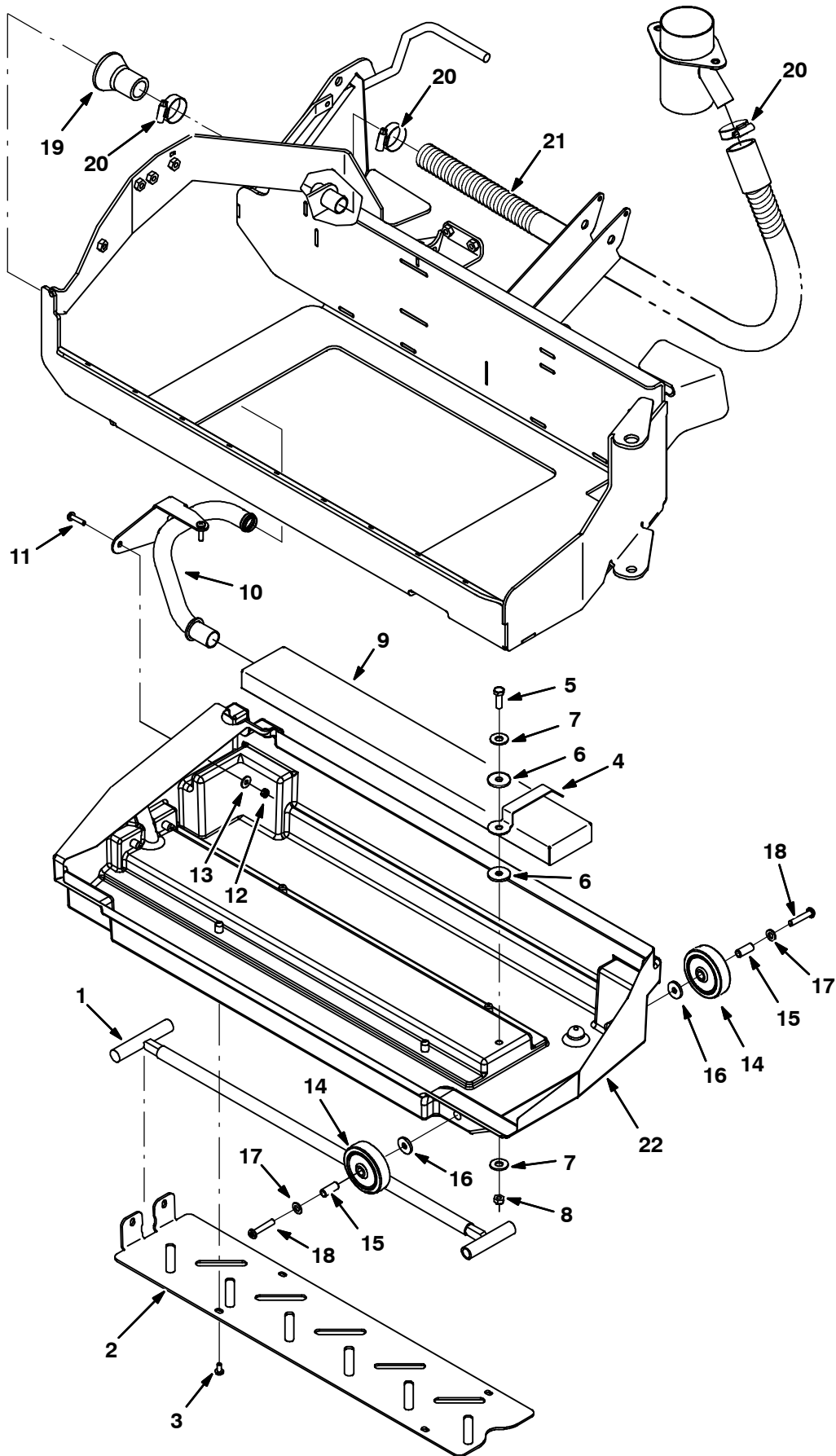


Fig. 32 - Cylindrical Scrub Head Debris tray Group

Ref.	Part No.	Serial Number	Description	Qty.
▽	9003055	(000000-	) Tray Kit, Debris, Replmt [T20]	1
▲	1 1026417	(000000-	) Handle Wldt, T, Hpr	1
▲	2 1026195	(000000-	) Panel, Access, Debris Tray	1
▲	3 74027	(000000-	) Screw, Pan, M6 X 1.0 X 12, Ss, NI	6
▲	4 1026900	(000000-	) Spring, Flat, Retainer, Screen	1
▲	5 09010	(000000-	) Screw, Hex, M8 X 1.25 X 25, Ss	1
▲	6 222268	(000000-	) Washer, Flat, 0.38b 1.25d .12, Neo	2
▲	7 01686	(000000-	) Washer, Flat, 0.44b 1.00d .08, Ss	2
▲	8 08713	(000000-	) Nut, Hex, Lock, M8 X 1.25, NI, Ss	1
▲	9 1024309	(000000-	) Strainer Wldt, Trough, Debris 4.3w 15.L	1
▲	10 1026831	(000000-	) Tube Wldt, Vacuum	1
▲	11 1019526	(000000-	) Screw, Pan, M6 X 1.0 X 25, Ss	3
▲	12 08712	(000000-	) Nut, Hex, Lock, M6 X 1.00, Ss, NI	3
▲	13 01684	(000000-	) Washer, Flat, 0.25, Ss	3
▲	14 81582	(000000-	) Wheel, 3.0d 0.87w 0.44b, Rbr, Pp Core	2
▲	15 393129	(000000-	) Sleeve, P/M, 0.31B 0.44D 1.2L [430Ss]	2
▲	16 1017218	(000000-	) Washer, Flat, 0.32b 1.00d .12, Ss	2
▲	17 39349	(000000-	) Washer, Flat, 0.31, Sae	2
▲	18 397826	(000000-	) Screw, Btn, M8 X 1.25 X 40, Ss	2
▲	19 1023063	(000000-	) Coupling, Tube, Vacuum	1
	20 11399	(000000-	) Clamp, Hose, Wormdrive, 0.81-1.50d, .50w	3
	21 1040098	(000000-	) Hose Assy, W/1cuff, 1.0d, 030l 1.25/	1
	22 1024450	(000000-	) Tray, Debris, Trimmed	1

Fig. 33 - Squeegee Group, Rear

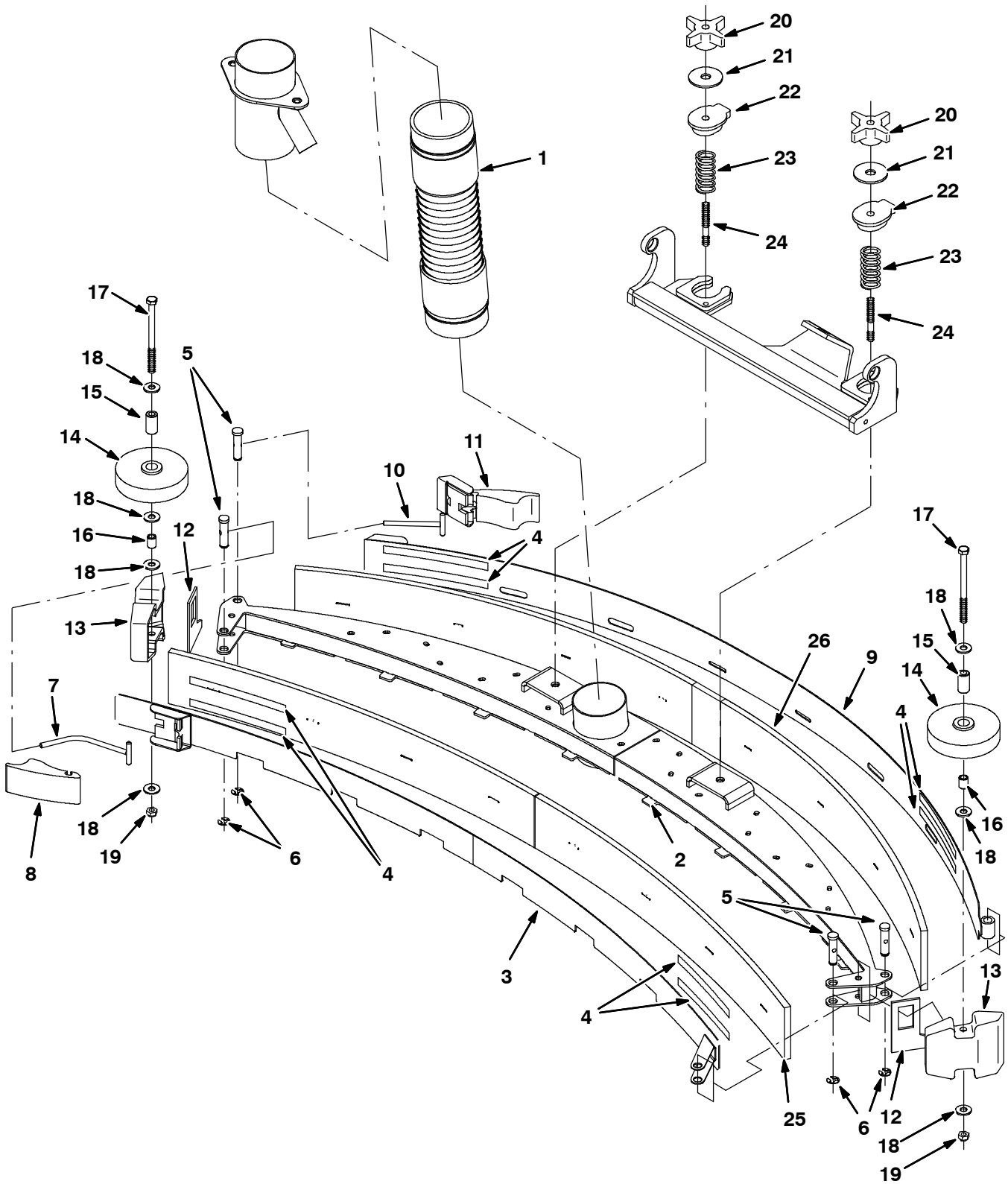




Fig. 33 - Squeegee Group, Rear

Ref.	Part No.	Serial Number	Description	Qty.
	1	1028236	(000000- ) Hose Assy, W/2cuff, 3.0d 14l 3.0/3.0	1
▽		9004493	(000000- ) Squeegee Kit, Rear, Replmt [M20/T20]	1
▲	2	1022831	(000000- ) Squeegee Wldt, Rear	1
▲	3	1023239	(000000- ) Clamp Wldt, Front	1
▲	4	03495	(000000- ) Strip, Non-Slip, 0.50w 06.0l	8
▲	5	21603	(000000- ) Pin, Grvd, 0.43d 01.8l [303ss]	4
▲	6	24555	(000000- ) Ring, Retaining, Ext, 0.38d, [E-Ring]	4
▲	7	386298	(000000- ) Pin Wldt, Front	1
▲	8	21601	(000000- ) Cam	1
▲	9	1028374	(000000- ) Clamp Wldt, Rear	1
▲	10	21606	(000000- ) Bar Wldt, Retainer, Sqge, Rear	1
▲	11	21602	(000000- ) Cam, Rear	1
▲	12	83874	(000000- ) Gasket, Sqge	2
▲	13	386264	(000000- ) Bumper, Sqge	2
▲	14	363162	(000000- ) Wheel, 4.0d 0.89w 0.64b	2
▲	15	363301	(000000- ) Sleeve, P/M, 0.34b 0.63d 1.2l, Bnz	2
▲	16	80395	(000000- ) Sleeve, P/M, 0.31b 0.50d 0.7l [430ss]	2
▲	17	364441	(000000- ) Screw, Hex, M8 X 1.25 X 110, Ss	2
▲	18	01685	(000000- ) Washer, Flat, 0.31, Ss	10
▲	19	08713	(000000- ) Nut, Hex, Lock, M8 X 1.25, NI, Ss	2
	20	370100	(000000- ) Knob, Star, 2.80d 4ear 1.1l .31-18 Pyp	2
	21	04414	(000000- ) Washer, Flat, 0.53b 1.88d .12, Stl, Pl	2
	22	387433	(000000- ) Ring, Mtg, Sqge, .50l	2
	23	387500	(000000- ) Spring, Cmpr, 0.9od .042wir 02.0l	2
	24	387237	(000000- ) Stud, .31-18 2.75l M8 X 1.25, Ss	2
	25	1017868	(000000- ) Blade, Sqge, Front, 49.58l Linatex	1
	25	1027719	(000000- ) Blade, Sqge, Front, 49.58l Ure (Option)	1
	26	1031331	(000000- ) Blade, Sqge, Rear, Linatex	1
	26	1031945	(000000- ) Blade, Sqge, Rear, 53.78l Ure (Option)	1

**Fig. 34 - Squeegee Linkage Group, Rear**

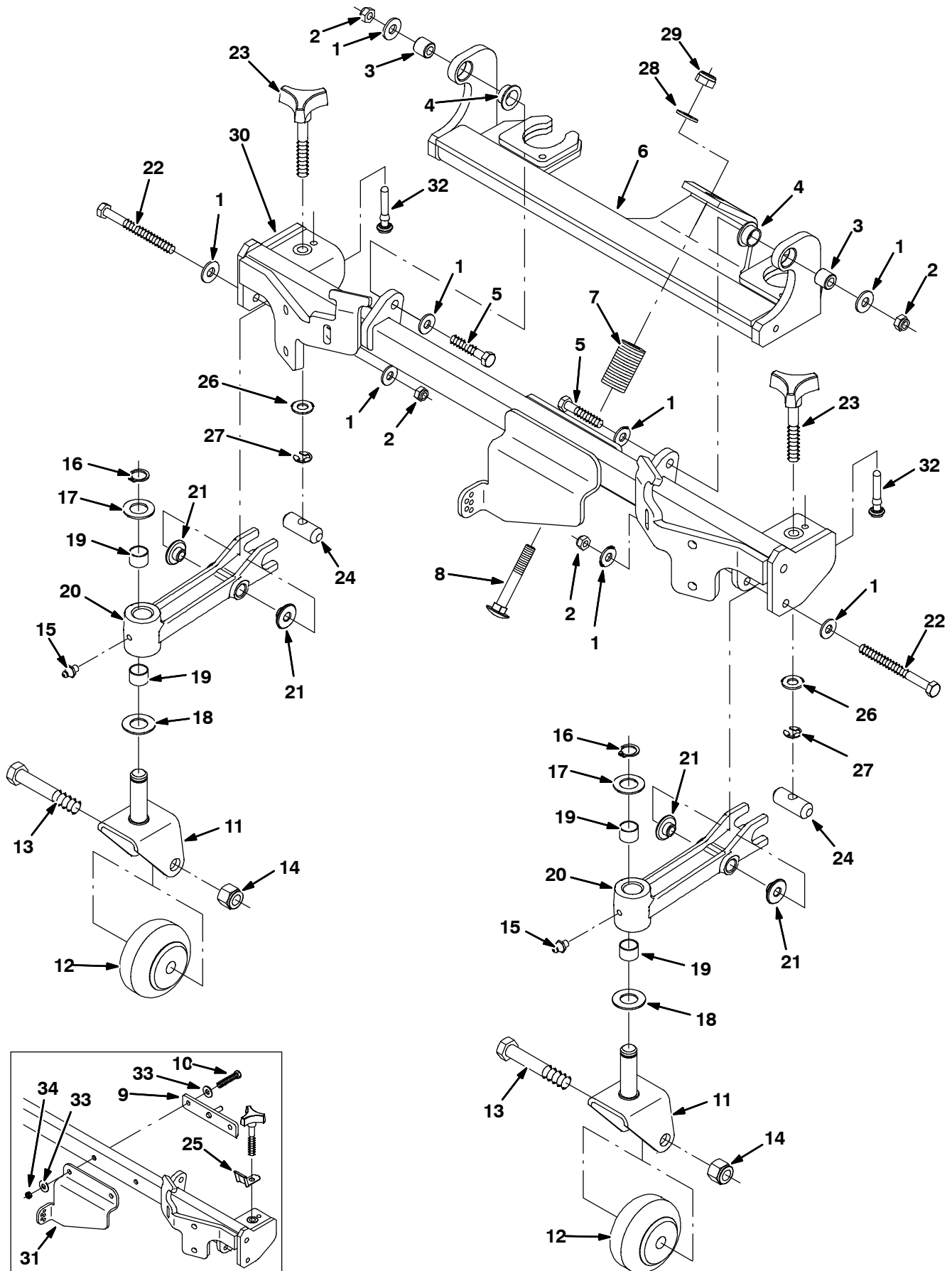


Fig. 34 - Squeegee Linkage Group, Rear

Ref.	Part No.	Serial Number	Description	Qty.
1	01685	(000000-	) Washer, Flat, 0.31, Ss	6
2	08713	(000000-	) Nut, Hex, Lock, M8 X 1.25, NI, Ss	4
3	80409	(000000-	) Sleeve, P/M, 0.34b 0.63d 0.6l, Bnz	2
4	25735	(000000-	) Bushing, Fling, 0.63b 0.75d 0.38l	2
5	222505	(000000-	) Screw, Hex, M8 X 1.25 X 45, Ss	2
6	1023476	(000000-	) Bracket Wldt, Mtg, Sqge	1
7	65180	(000000-	) Spring, Dsl, 1.00od 0.50id 1.7l	1
8	1025601	(000000-	) Bolt, Carriage, M10 X 1.5 X 70	1
9	1034147	(000000-001524	) Pin Wldt, Lift (Replaced By 9003478)	1
10	222505	(000000-001524	) Screw, Hex, M8 X 1.25 X 45, Ss	2
11	1021404	(000000-	) Bracket Wldt, Mtg, Caster	2
12	20833	(000000-	) Wheel, 3.0d 1.38w 0.50b	2
13	81952	(000000-	) Screw, Hex, .50-13 X 3.00, Ss18-8	2
14	02931	(000000-	) Nut, Hex, Lock, .50-13, NI, Ss	2
15	07259	(000000-	) Fitting, Grease, Str Pm04 .47l	2
16	33373	(000000-	) Ring, Retaining, Ext, 0.62d, Hd	2
17	63468	(000000-	) Washer, Flat, 0.69b 1.19d .06, Stl, Pl	2
18	64425	(000000-	) Washer, Thrust, 0.61b 1.25d .06, Fgl	2
19	07449	(000000-	) Bushing, Sleeve, 0.62b 0.72d 0.50l, Fgl	4
20	1025460	(000000-	) Caster, Pivot	2
21	80950	(000000-	) Bushing, Fling, 0.32b 0.50d 0.24l, Bnz	4
22	39281	(000000-	) Screw, Hex, M8 X 1.25 X 90, 8.8	2
23	1021546	(000000-	) Knob Assy, Star, 1.12d 3ear M10	2
24	1021497	(000000-	) Pin, 0.63d 01.8l, 1/M10h, 2cham	2
25	1022545	(000000-001508	) Spring, Keeper	2
26	32485	(000000-	) Washer, Flat, 0.38 Sae	2
27	24555	(000000-	) Ring, Retaining, Ext, 0.38d, [E-Ring]	2
28	32492	(000000-	) Washer, Flat, 0.38 Std	1
29	08714	(000000-	) Nut, Hex, Lock, M10 X 1.5, NI, Ss	1
30	1034282	(000000-	) Crossmember Wldt, Lift	1
31	1025178	(000000-001524	) Bracket, Lift, Sqge	1
32	1035727	(001509-	) Stop, Rotation	1
33	01685	(000000-001524	) Washer, Flat, 0.38b 0.88d .08, Ss	4
34	08713	(000000-001524	) Nut, Hex, Lock, M8 X 1.25, NI, Ss	2

Fig. 35 - Cylindrical Scrub Head Squeegee Group, Right Side

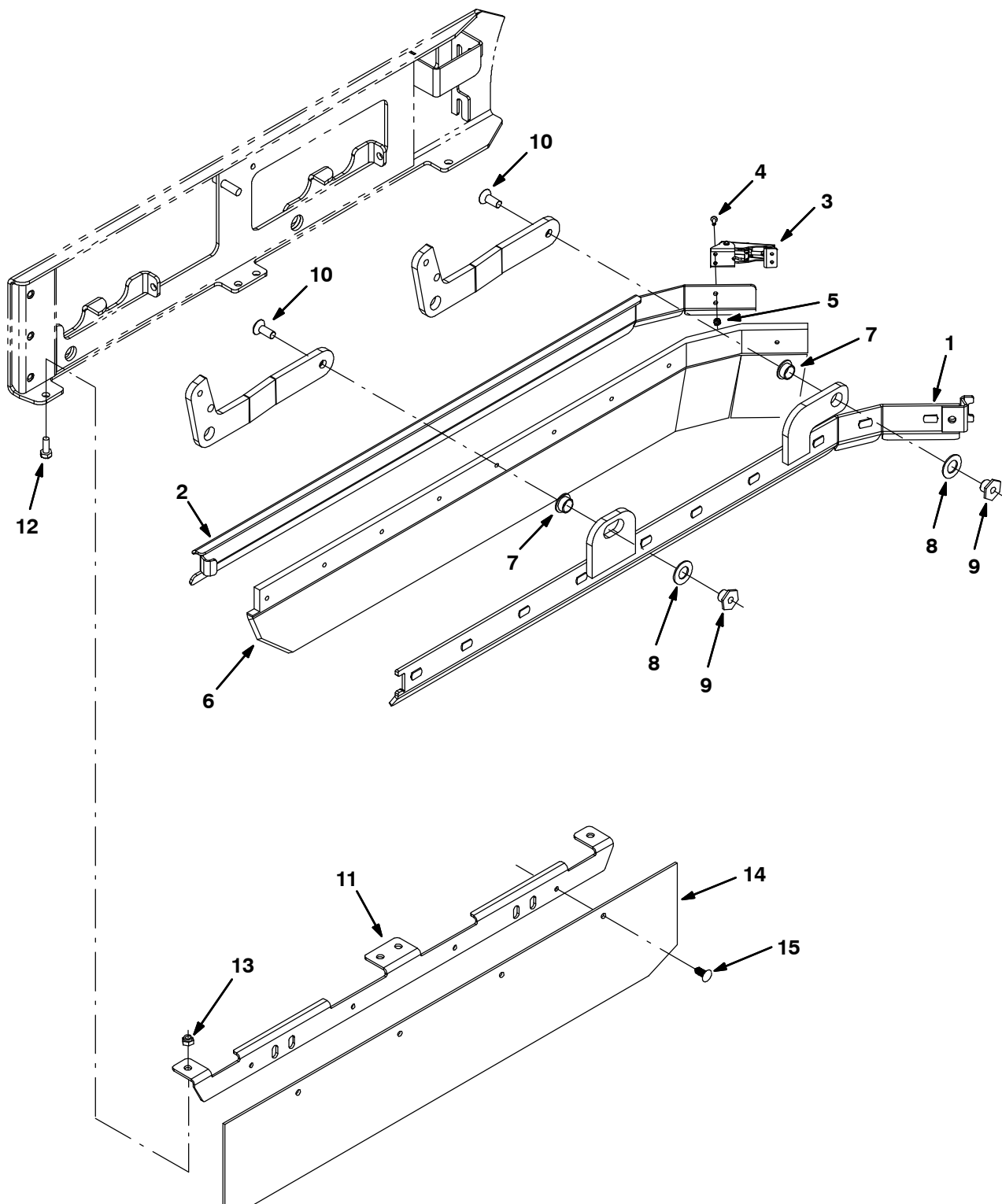


Fig. 35 - Cylindrical Scrub Head Squeegee Group, Right Side

Ref.	Part No.	Serial Number	Description	Qty.
1	1029132	(000000-	) Frame Wldt, Sqge, Rh	1
2	1029128	(000000-	) Retainer, Sqge, Side, Rh	1
3	384418	(000000-	) Latch, Door [Southco 91-562-07]	1
4	49697	(000000-	) Screw, Pan, M4 X 0.7 X 10, Ss	2
5	33932	(000000-	) Nut, Hex, Lock, M4 X 0.7, NI, Ss	2
6	1031011	(000000-	) Blade, Sqge, 37.08l Linatex	1
6	1031823	(000000-	) Blade, Sqge, .38 3.55w 038.3l, Ure (Option)	1
7	25735	(000000-	) Bushing, Flng, 0.63b 0.75d 0.38l	2
8	64425	(000000-	) Washer, Thrust, 0.61b 1.25d .06, Fgl	2
9	1022846	(000000-	) Nut, T, M10 X 1.50 X 15.8od X 13.0l	2
10	09081	(000000-	) Screw, Flt, M10 X 1.5 X 25, 10.9	2
11	1025151	(000000-	) Bracket, Mtg, Skirt, Door, Brush	1
12	393135	(000000-	) Screw, Btn, M8 X 1.25 X 20, Blk	4
13	08713	(000000-	) Nut, Hex, Lock, M8 X 1.25, NI, Ss	4
▽	14	9003057	(000000-) Shield Kit, Side, Replmt [T20]	1
▲	15	21168	(000000-) Clip, .250h, Plstc [Pine-Tree]	4

Fig. 36 - Squeegee Lift Group, Right Side

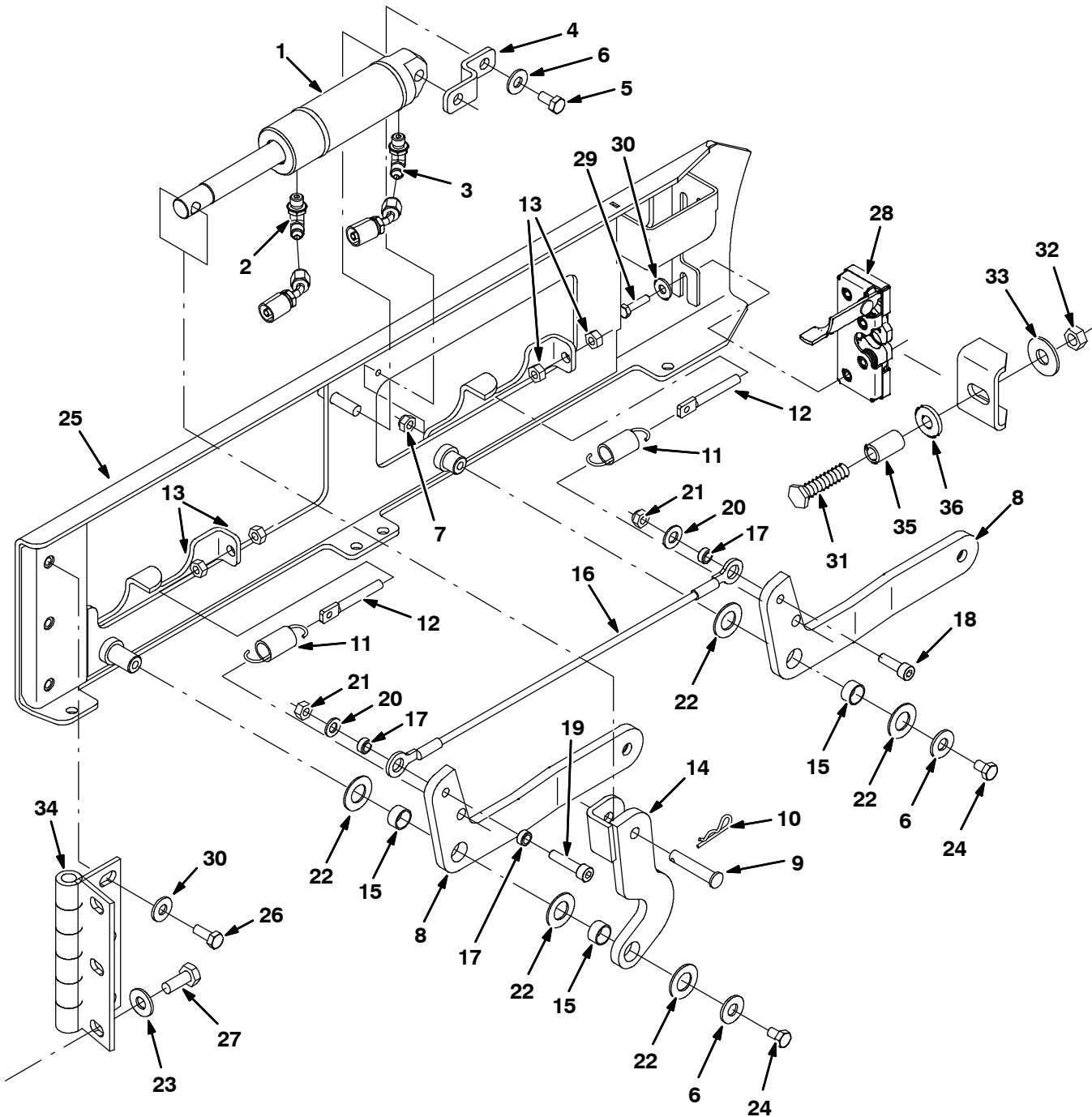


Fig. 36 - Squeegee Lift Group, Right Side

Ref.	Part No.	Serial Number	Description	Qty.
1	1038137	(000000-	) Cylinder, Hyd, 1.5b 07.8l 02.80strk 2500	1
2	77097	(000000-	) Fitting, Hyd, E90, Jm04/Om04	1
3	1028635	(000000-	) Fitting, Hyd, Rst, Spcl	1
4	1022825	(000000-	) Bracket, Mtg, Cyl	1
5	09740	(000000-	) Screw, Hex, M8 X 1.25 X 20, Ss	1
6	01685	(000000-	) Washer, Flat, 0.31, Ss	3
7	08713	(000000-	) Nut, Hex, Lock, M8 X 1.25, NI, Ss	1
8	1020548	(000000-	) Arm, Sqge, Side, Rh	2
9	17461	(000000-	) Pin, Clevis, 0.37D X 1.75L	1
10	08182	(000000-	) Pin, Cotter, .125 X 1.00	1
11	87816	(000000-	) Spring, Extn, 0.75od X 0.09wir, 2.5l	2
12	386088	(000000-	) Bolt, Eye, M08 X 1.25 X 070mm, 05.50 Eye	2
13	07786	(000000-	) Nut, Hex, Std, M8 X 1.25, Ss	4
14	1023306	(000000-	) Arm Wldt, Sqge, Lift, Rh	1
15	71607	(000000-	) Bushing, Sleeve, 0.63b 0.72d 0.38l	3
16	81784	(000000-	) Cable, Glv .13d 015.8l .50eye /.50eye	1
17	360801	(000000-	) Sleeve, 0.31b 0.50d 0.3l, Ss	3
18	39308	(000000-	) Screw, Soc, M8 X 1.25 X 25, 12.9	1
19	41445	(000000-	) Screw, Soc, M8 X 1.25 X 35, 12.9	1
20	39349	(000000-	) Washer, Flat, 0.31 Sae	2
21	08709	(000000-	) Nut, Hex, Lock, M8 X 1.25, NI	2
22	64425	(000000-	) Washer, Thrust, 0.61b 1.25d .06, Fgl	5
23	41187	(000000-	) Washer, Flat, Belleville, .38	3
24	09740	(000000-	) Screw, Hex, M8 X 1.25 X 20, Ss	2
25	1019031	(000000-	) Door Wldt, Brush, Rh	1
26	09028	(000000-	) Screw, Hex, M10 X 1.5 X 25, Ss	3
27	09740	(000000-	) Screw, Hex, M8 X 1.25 X 20, Ss	3
28	59194	(000000-	) Latch, Hook	1
29	09007	(000000-	) Screw, Hex, M6 X 1.0 X 25, Ss	2
30	41185	(000000-	) Washer, Flat, Belleville, .25	5
31	379870	(000000-	) Screw, Hex, M12 X 1.75 X 55, Ss	1
32	07788	(000000-	) Nut, Hex, Std, M12 X 1.75, Ss	1
33	41619	(000000-	) Washer, Flat, 0.56b 1.38d .11, Ss	1
34	1024576	(000000-	) Hinge, .50pin .19 4.0w 06.0l 3/0.44sl	1
35	36328	(000000-	) Washer, Flat, Belleville, .50	1
36	1039348	(000000-	) Sleeve, 0.49b 0.68d 1.2l [304ss]	1

**Fig. 37 - Cylindrical Scrub Head Squeegee Group, Left Side**

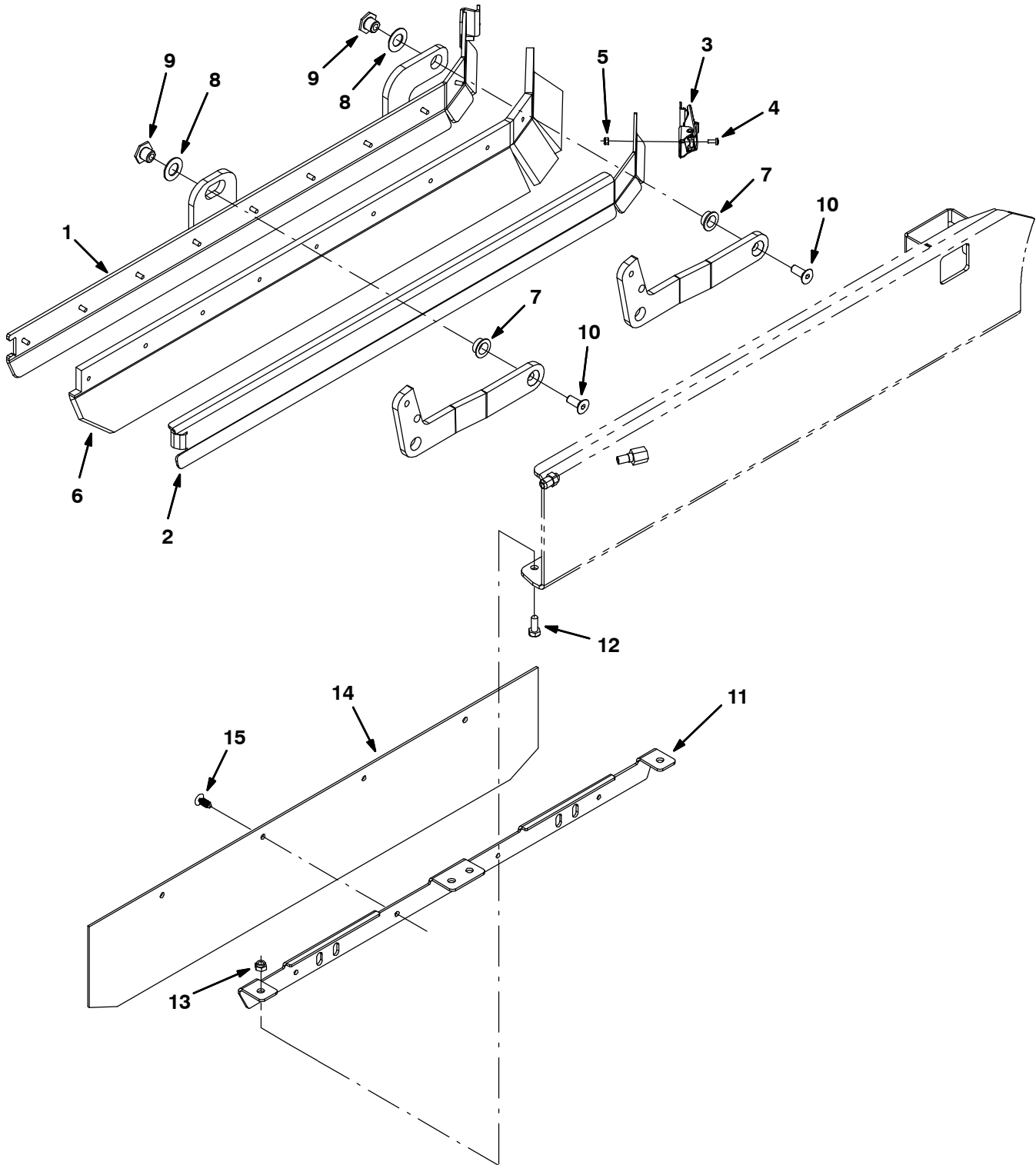




Fig. 37 - Cylindrical Scrub Head Squeegee Group, Left Side

Ref.	Part No.	Serial Number	Description	Qty.	
1	1028972	(000000-	) Frame Wldt, Sqge, Lh	1	
2	1028979	(000000-	) Retainer, Sqge, Side, Lh	1	
3	384418	(000000-	) Latch, Door [Southco 91-562-07]	1	
4	49697	(000000-	) Screw, Pan, M4 X 0.7 X 10, Ss	2	
5	33932	(000000-	) Nut, Hex, Lock, M4 X 0.7, NI, Ss	2	
6	1031011	(000000-	) Blade, Sqge, 37.08l Linatex	1	
6	1031823	(000000-	) Blade, Sqge, .38 3.55w 038.3l, Ure (Option)	1	
7	25735	(000000-	) Bushing, Flng, 0.63b 0.75d 0.38l	2	
8	64425	(000000-	) Washer, Thrust, 0.61b 1.25d .06, Fgl	2	
9	1022846	(000000-	) Nut, T, M10 X 1.50 X 15.8od X 13.0l	1	
10	09081	(000000-	) Screw, Flt, M10 X 1.5 X 25, 10.9	2	
11	1025151	(000000-	) Bracket, Mtg, Skirt, Door, Brush	1	
12	393135	(000000-	) Screw, Btn, M8 X 1.25 X 20, Blk	4	
13	08713	(000000-	) Nut, Hex, Lock, M8 X 1.25, NI, Ss	4	
▽	14	9003057	(000000-	) Shield Kit, Side, Replmt [T20]	1
▲	15	21168	(000000-	) Clip, .250h, Plstc [Pine-Tree]	4

**Fig. 38 - Squeegee Lift Group, Left Side**

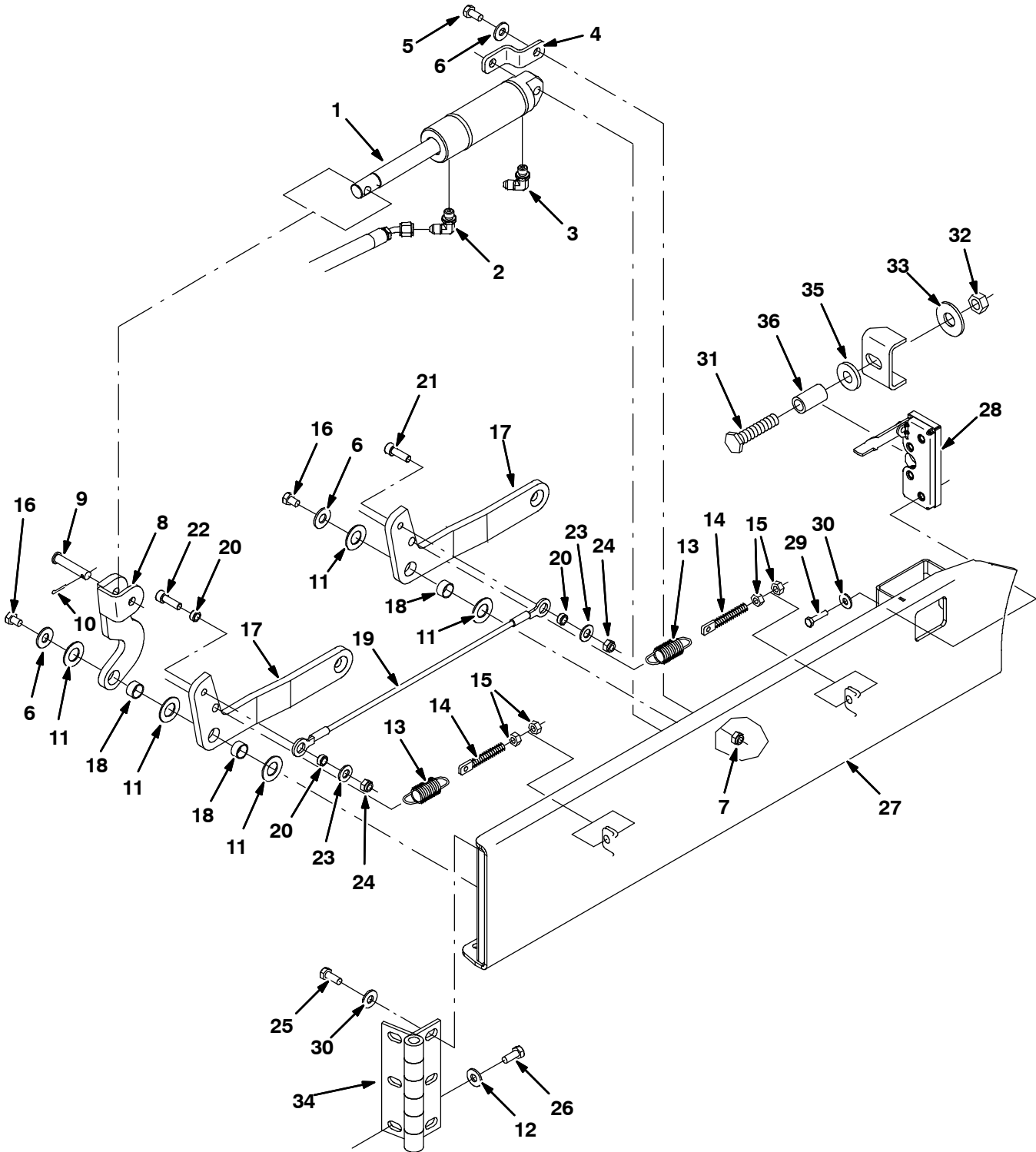


Fig. 38 - Squeegee Lift Group, Left Side

Ref.	Part No.	Serial Number	Description	Qty.
1	1038137	(000000-	) Cylinder, Hyd, 1.5b 07.8l 02.80strk 2500	1
2	77097	(000000-	) Fitting, Hyd, E90, Jm04/Om04	1
3	1028635	(000000-	) Fitting, Hyd, Rst, Spcl	1
4	1022825	(000000-	) Bracket, Mtg, Cyl	1
5	09740	(000000-	) Screw, Hex, M8 X 1.25 X 20, Ss	1
6	01685	(000000-	) Washer, Flat, 0.31, Ss	3
7	08713	(000000-	) Nut, Hex, Lock, M8 X 1.25, NI, Ss	1
8	1022978	(000000-	) Arm Wldt, Lift, Sqge, Lh	1
9	17461	(000000-	) Pin, Clevis, 0.37D X 1.75L	1
10	08182	(000000-	) Pin, Cotter, .125 X 1.00	1
11	64425	(000000-	) Washer, Thrust, 0.61b 1.25d .06, Fgl	5
12	41187	(000000-	) Washer, Flat, Belleville, .38	3
13	87816	(000000-	) Spring, Extn, 0.75od X 0.09wir, 2.5l	2
14	386088	(000000-	) Bolt, Eye, M08 X 1.25 X 070mm, 05.50 Eye	2
15	07786	(000000-	) Nut, Hex, Std, M8 X 1.25, Ss	4
16	09740	(000000-	) Screw, Hex, M8 X 1.25 X 20, Ss	2
17	1023307	(000000-	) Arm, Sqge, Side, Lh	2
18	71607	(000000-	) Bushing, Sleeve, 0.63b 0.72d 0.38l	3
19	81784	(000000-	) Cable, Glv .13d 015.8l .50eye /.50eye	1
20	360801	(000000-	) Sleeve, 0.31b 0.50d 0.3l, Ss	3
21	39308	(000000-	) Screw, Soc, M8 X 1.25 X 25, 12.9	1
22	41445	(000000-	) Screw, Soc, M8 X 1.25 X 35, 12.9	1
23	39349	(000000-	) Washer, Flat, 0.31 Sae	2
24	08709	(000000-	) Nut, Hex, Lock, M8 X 1.25, NI	2
25	09028	(000000-	) Screw, Hex, M10 X 1.5 X 25, Ss	3
26	09740	(000000-	) Screw, Hex, M8 X 1.25 X 20, Ss	6
27	1023314	(000000-	) Door Wldt, Brush, Lh	1
28	59195	(000000-	) Latch, Hook	1
29	09007	(000000-	) Screw, Hex, M6 X 1.0 X 25, Ss	2
30	41185	(000000-	) Washer, Flat, Belleville, .25	5
31	379870	(000000-	) Screw, Hex, M12 X 1.75 X 55, Ss	1
32	07788	(000000-	) Nut, Hex, Std, M12 X 1.75, Ss	1
33	41619	(000000-	) Washer, Flat, 0.56b 1.38d .11, Ss	1
34	1024576	(000000-	) Hinge, .50pin .19 4.0w 06.0l 3/0.44sl	1
35	36328	(000000-	) Washer, Flat, Belleville, .50	1
36	1039348	(000000-	) Sleeve, 0.49b 0.68d 1.2l [304ss]	1

**Fig. 39 - Solution Tank Group**

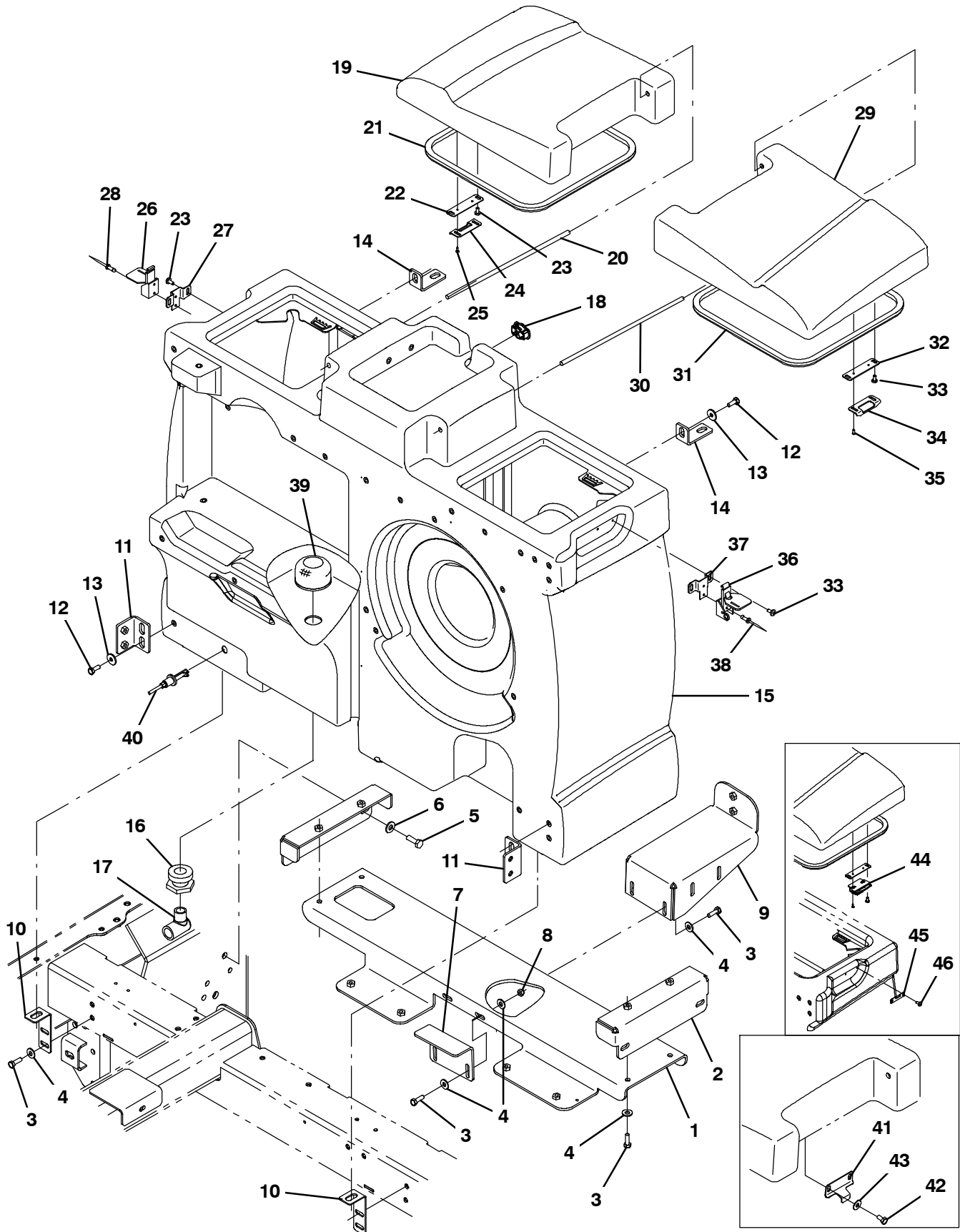


Fig. 39 - Solution Tank Group

Ref.	Part No.	Serial Number	Description	Qty.	
1	1023497	(000000-	) Channel, Sppt, Tank	1	
2	1023493	(000000-	) Bracket, Mtg, Tank	2	
3	09010	(000000-	) Screw, Hex, M8 X 1.25 X 25, Ss	12	
4	32491	(000000-	) Washer, Flat, 0.31, Std	14	
5	12317	(000000-	) Screw, Hex, M10 X 1.5 X 30, Ss	4	
6	32492	(000000-	) Washer, Flat, 0.38, Std	4	
7	1023508	(000000-	) Bracket, Mtg, Tank	1	
8	08713	(000000-	) Nut, Hex, Lock, M8 X 1.25, NI, Ss	2	
9	1023510	(000000-	) Bracket, Mtg, Tank	1	
10	1024131	(000000-	) Angle, Mtg, Stl, .12 4.2 2.0 01.4l	2	
11	1024175	(000000-	) Angle, Mtg, Stl, .18 2.2 1.9 03.0l	2	
12	09740	(000000-	) Screw, Hex, M8 X 1.25 X 20, Ss	6	
13	1017218	(000000-	) Washer, Flat, 0.32b 1.00d .12, Ss	6	
14	1024217	(000000-	) Angle, Mtg, Stl, .19 3.1 1.8 01.4l	2	
15	9004118	(000000-001683	) Tank Kit, Soltn, W/ Bracket, Replmt	1	
15	1027426	(001684-	) Tank, Soltn, W/ Label	1	
15	9002670	(001684-	) Tank, Soltn, W/ Es [T20]	1	
16	377349	(000000-	) Fitting, Plstc, Pf12/Pf12, Bh	1	
17	69785	(000000-	) Fitting, Plstc, E90, Pf12/Pm12	1	
18	390994	(000000-	) Plug, Hole, Soltn Tank, Blk Pyu	1	
▽	9003069	(000000-	) Cover Kit, Soltn Tank, Rh [M20 & T20]	1	
▲	19	1022176	(000000-	) Cover, Tank, Soltn, Rh, Trimmed	1
▲	20	1047098	(000000-	) Bar, Rnd, Plstc, 0.31d 12.5l	1
▲	21	1038805	(000000-	) Seal, Bulb, Str, .50Hi .50W 047.2L, Adh	1
▲	22	1039757	(001688-	) Plate, Mtg, Latch	1
▲	23	382320	(000000-	) Screw, Pan, Phl, 12-16 X 0.50, F/ Plstc	4
▲	24	1048474	(001928-	) Catch, Latch, Tank Cover	1
▲	25	222267	(001928-	) Screw, Pan, Phl, 06-20 X 0.50, Fmg/Ab	2
▲	26	367949	(001928-	) Latch	1
▲	27	1048512	(001928-	) Bracket, Mtg, Latch, Tank Cover	1
▲	28	08875	(001928-	) Rivet, Blind, .125d X 0.54 X .25d, Alm	2
▽	9003071	(000000-	) Cover Kit, Tank, Soltn, Rh, Replmt, Ce (Japan and CE Only)	1	
▲	19	1031233	(000000-	) Cover, Tank, Soltn, Rh, Trimmed, Ce (Japan and CE Only)	1
▲	20	1047098	(000000-	) Bar, Rnd, Plstc, 0.31d 12.5l	1
▲	21	1038805	(000000-	) Seal, Bulb, Str, .50Hi .50W 047.2L, Adh	1
▲	22	1039757	(002426-	) Plate, Mtg, Latch	1
▲	23	382320	(000000-	) Screw, Pan, Phl, 12-16 X 0.50, F/ Plstc	4
▲	24	1048474	(001928-	) Catch, Latch, Tank Cover	1
▲	25	222267	(001928-	) Screw, Pan, Phl, 06-20 X 0.50, Fmg/Ab	2
▲	26	367949	(001928-	) Latch	1
▲	27	1048512	(001928-	) Bracket, Mtg, Latch, Tank Cover	1
▲	28	08875	(001928-	) Rivet, Blind, .125d X 0.54 X .25d, Alm	2

# STANDARD PARTS

Fig. 39 - Solution Tank Group

Ref.	Part No.	Serial Number	Description	Qty.
▽	9003068	(000000-	) Cover Kit, Tank, Soltn, Lh, Replmt	1
▲	29 1022182	(000000-	) Cover, Tank, Soltn, Lh, Trimmed	1
▲	30 1047098	(000000-	) Bar, Rnd, Plstc, 0.31d 12.5l	1
▲	31 1038805	(000000-	) Seal, Bulb, Str, .50Hi .50W 047.2L, Adh	1
▲	32 1039757	(001688-	) Plate, Mtg, Latch	1
▲	33 382320	(000000-	) Screw, Pan, Phl, 12-16 X 0.50, F/ Plstc	4
▲	34 1048474	(001928-	) Catch, Latch, Tank Cover	1
▲	35 222267	(001928-	) Screw, Pan, Phl, 06-20 X 0.50, Fmg/Ab	2
▲	36 367949	(001928-	) Latch	1
▲	37 1048512	(001928-	) Bracket, Mtg, Latch, Tank Cover	1
▲	38 08875	(001928-	) Rivet, Blind, .125d X 0.54 X .25d, Alm	2
▽	9003070	(000000-	) Cover Kit, Tank, Soltn, Lh, Replmt, Ce (Japan and CE Only)	1
▲	29 1031235	(000000-	) Cover, Tank, Soltn, Lh, Trimmed, Ce (Japan and CE Only)	1
▲	30 1047098	(000000-	) Bar, Rnd, Plstc, 0.31d 12.5l	1
▲	31 1038805	(000000-	) Seal, Bulb, Str, .50Hi .50W 047.2L, Adh	1
▲	32 1039757	(001688-	) Plate, Mtg, Latch	1
▲	33 382320	(000000-	) Screw, Pan, Phl, 12-16 X 0.50, F/ Plstc	4
▲	34 1048474	(001928-	) Catch, Latch, Tank Cover	1
▲	35 222267	(001928-	) Screw, Pan, Phl, 06-20 X 0.50, Fmg/Ab	2
▲	36 367949	(001928-	) Latch	1
▲	37 1048512	(001928-	) Bracket, Mtg, Latch, Tank Cover	1
▲	38 08875	(001928-	) Rivet, Blind, .125d X 0.54 X .25d, Alm	2
	39 1027290	(000000-	) Filter, Soltn, 20mesh, Pm12 3.1d 02.6l	1
	40 385685	(000000-	) Sensor, Level, Liq, 14vdc 01a .62-11	1
	41 1020428	(000000-001687)	) Bracket, Latch, Cover	2
	42 09744	(000000-001687)	) Screw, Hex, M6 X 1.00 X 12, Ss	4
	43 01684	(000000-001687)	) Washer, Flat, 0.27b 0.69d .05, Ss	4
	44 1030617	(001688-001927)	) Latch, Cover	2
	45 1029748	(001688-001927)	) Bracket, Keeper, Latch	2
	46 382320	(001688-001927)	) Screw, Pan, Phl, 12-16 X 0.50, F/ Plstc	4



**Fig. 40 - Solution Tank Drain Group**

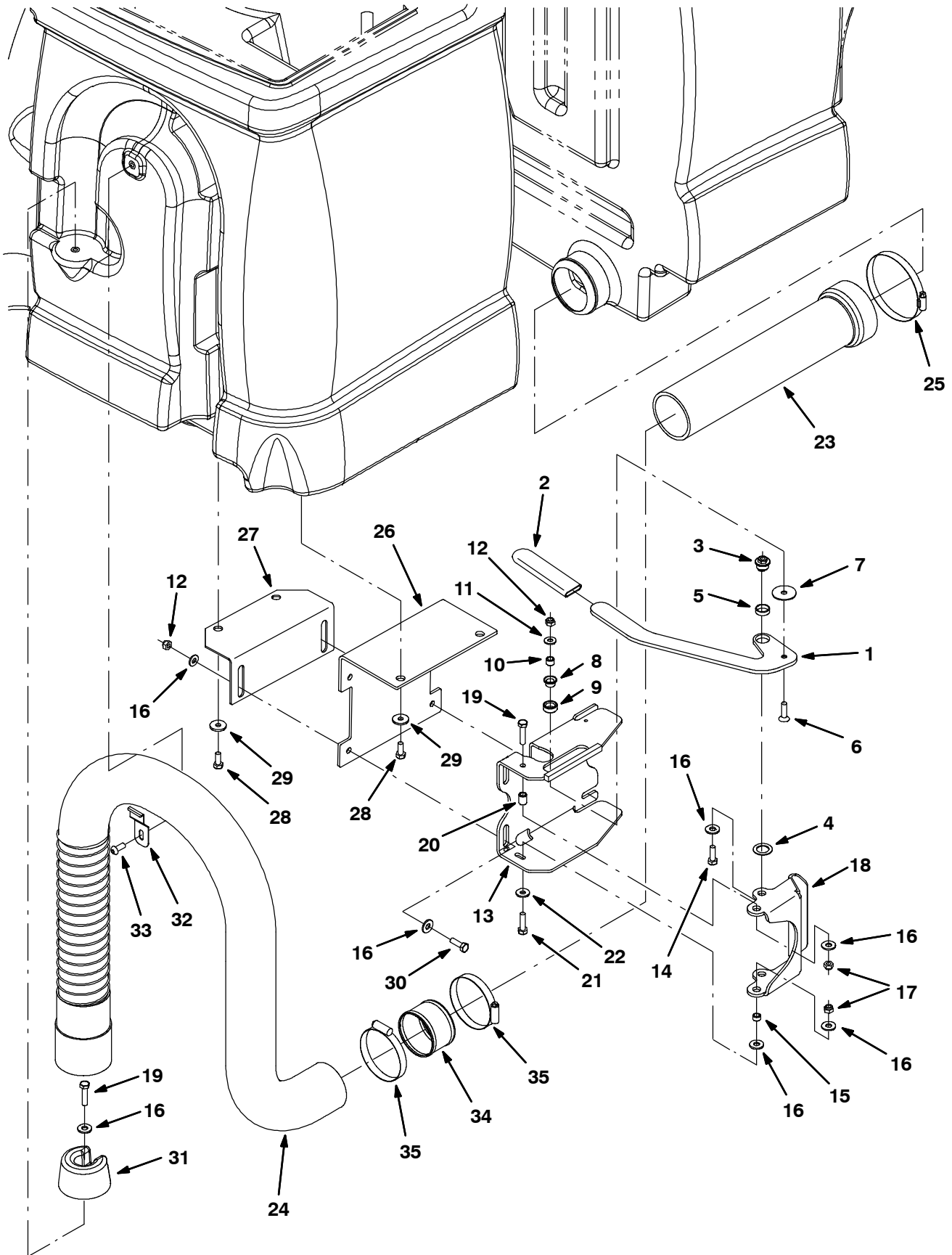




Fig. 40 - Solution Tank Drain Group

Ref.	Part No.	Serial Number	Description	Qty.
1	1025092	(000000-	) Handle, Valve, Pinch, Rh	1
2	1023502	(000000-	) Grip, Handle	1
3	1024599	(000000-	) Bushing, Eccentric, Adj	1
4	1026051	(000000-	) Washer, Flat, 0.79b 1.18d .06, Nyl	1
5	74090	(000000-	) Bushing, Sleeve, 0.75b 0.88d 0.25l	1
6	79506	(000000-	) Screw, Flt, M8 X 1.25 X 30, Ss	1
7	1028701	(000000-	) Washer, Thrust, 0.34b 1.50d .06	1
8	15648	(000000-	) Bushing, Flng, 0.50b 0.59d 0.38l	1
9	1028691	(000000-	) Roller, Brg	1
10	1028690	(000000-	) Tube, 0.50d 0.32b 00.4l, Ss	1
11	39349	(000000-	) Washer, Flat, 0.31, Sae	1
12	08713	(000000-	) Nut, Hex, Lock, M8 X 1.25, NI, Ss	9
13	1042003	(000000-	) Mount Wldt, Valve, Pinch, Rh	1
14	39277	(000000-	) Screw, Hex, M8 X 1.25 X 25, 8.8	1
15	222516	(000000-	) Sleeve, P/M, 0.31b 0.50d 0.3l [430ss]	1
16	32491	(000000-	) Washer, Flat, 0.31, Std	10
17	08713	(000000-	) Nut, Hex, Lock, M8 X 1.25, NI, Ss	3
18	1024535	(000000-	) Arm, Pinch	1
19	06955	(000000-	) Screw, Hex, M8 X 1.25 X 35, 8.8	2
20	80395	(000000-	) Sleeve, P/M, 0.31b 0.50d 0.7l [430ss]	1
21	76570	(000000-	) Screw, Hex, M8 X 1.25 X 30, 8.8	1
22	41186	(000000-	) Washer, Flat, Belleville, .31	1
23	9003793	(000000-	) Tube Kit, Tank, Soltn, Replmt	1
24	1019424	(000000-	) Hose, Drain, 3.00id X 48.0l	1
25	23498	(000000-	) Clamp, Hose, Wormdrive, 3.56-4.50d, .50w	1
26	1025449	(000000-	) Angle, Mtg, Valve	2
27	1025452	(000000-	) Angle, Mtg, Stl, .12 3.7 3.4 09.1l	2
28	09740	(000000-	) Screw, Hex, M8 X 1.25 X 20, Ss	4
29	1017218	(000000-	) Washer, Flat, 0.32b 1.00d .12, Ss	4
30	09010	(000000-	) Screw, Hex, M8 X 1.25 X 25, Ss	4
31	1022137	(000000-	) Plug, Hose, Pyu	1
32	1025480	(000000-	) Bracket, Retaining, Hose	1
33	393135	(000000-	) Screw, Btn, M8 X 1.25 X 20, Blk	1
34	1020744	(000000-	) Tube, Rnd, 3.00d 2.90b 02.0l, Ss	1
35	43555	(000000-	) Clamp, Hose, Wormdrive, 2.50-3.50d, .50w	2

**Fig. 41 - Solution Control Group, Cylindrical Scrub Head**

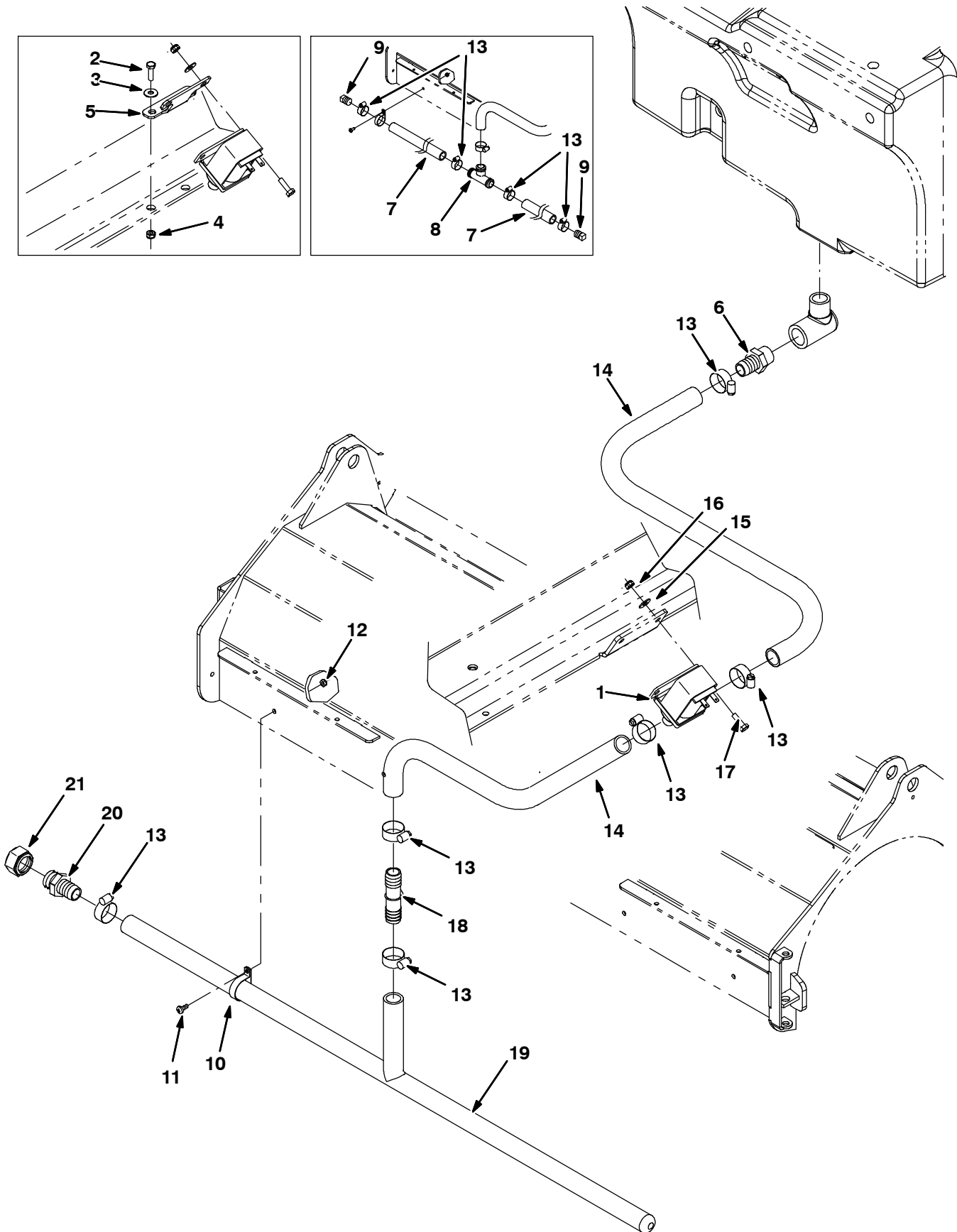


Fig. 41 - Solution Control Group, Cylindrical Scrub Head

Ref.	Part No.	Serial Number	Description	Qty.
1	1022088	(000000-	) Valve Assy, Water, Solenoid , 12vdc	1
2	08716	(000000-001602 )	Screw, Hex, M6 X 1.0 X 20, Ss	2
3	01684	(000000-001602 )	Washer, Flat, 0.25, Ss	2
4	08712	(000000-001602 )	Nut, Hex, Lock, M6 X 1.0, Ss, NI	2
5	1028074	(000000-001602 )	Bracket, Mtg, Valve	1
6	79273-2	(000000-	) Fitting, Plstc, Str, Bm12/Pm12	1
7	1029185	(000000-001581 )	Tube, Distribution, Water	2
8	41315	(000000-001581 )	Fitting, Plstc, Tee, Bm12/Bm12/Bm12	1
9	17521	(000000-001581 )	Fitting, Pipe, Plug, Pm08, Sq Head	2
10	50544	(000000-	) Clamp, Cable, Ss, 1.12d X 0.38w, 1h	6
11	09200	(000000-	) Screw, Pan, M5 X 0.8 X 12, Ss	6
12	09739	(000000-	) Nut, Hex, Lock, M5 X 0.8, NI, Ss	6
13	63810	(000000-	) Clamp, Hose, Wormdrive, 0.56-1.06d, .56w	8
14	1015045	(000000-	) Hose, Afmkt, Pvc, Brd 0.75id 08ft	1
15	01684	(000000-	) Washer, Flat, 0.25, Ss	2
16	08712	(000000-	) Nut, Hex, Lock, M6 X 1.0, Ss, NI	2
17	08716	(000000-	) Screw, Hex, M6 X 1.0 X 20, Ss	2
18	1038074	(001582-	) Fitting, Plstc, Str, Bm12/Bm12	1
19	1036997	(001582-	) Manifold, Bar, Spray, 37.5inch	1
20	79273-2	(001582-	) Fitting, Plstc, Str, Bm12/Pm12	1
21	1039064	(001582-	) Fitting, Plstc, Cap, Pf12 Hex	1

Fig. 42 - Solution Control Group, Disk Scrub Head

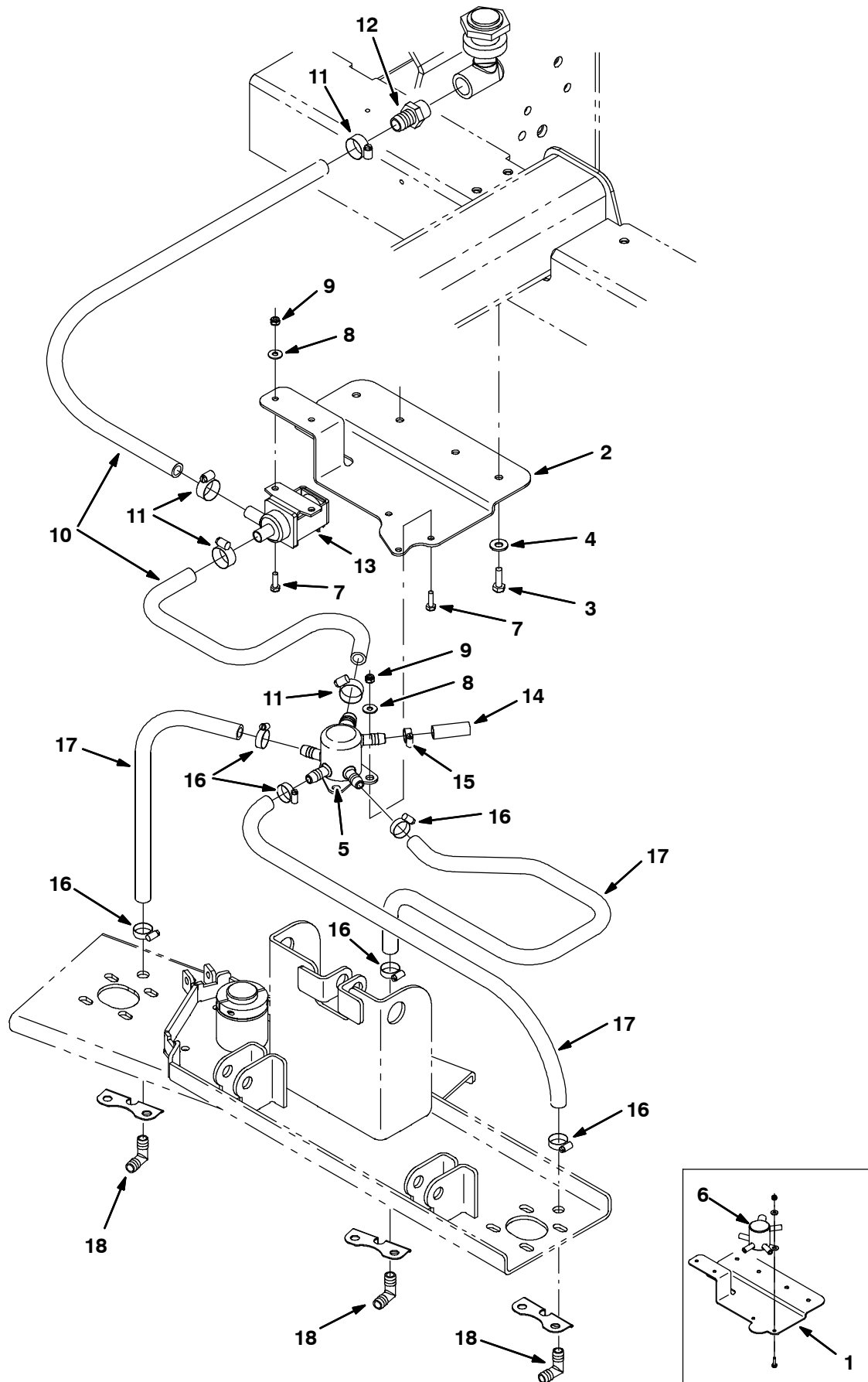


Fig. 42 - Solution Control Group, Disk Scrub Head

Ref.	Part No.	Serial Number	Description	Qty.
1	1028205	(000000-001762 )	Bracket, Valve, Water	1
2	1042046	(001763- )	Bracket, Valve, Water	1
3	09010	(000000- )	Screw, Hex, M8 X 1.25 X 25, Ss	2
4	32491	(000000- )	Washer, Flat, 0.31, Std	2
5	1032701	(001763- )	Manifold Assy, Cntrl, Soltn	1
6	1023491	(000000-001762 )	Manifold Wldt, Cntrl, Soltn	1
7	08716	(000000- )	Screw, Hex, M6 X 1.0 X 20, Ss	5
8	01684	(000000- )	Washer, Flat, 0.25, Ss	5
9	08712	(000000- )	Nut, Hex, Lock, M6 X 1.00, Ss, NI	5
10	1015045	(000000- )	Hose, Afmkt, Pvc, Brd 0.75id 08ft	1
11	63810	(000000- )	Clamp, Hose, Wormdrive, 0.56-1.06d, .56w	4
12	79273-2	(000000- )	Fitting, Plstc, Str, Bm12/Pm12	1
13	1022088	(000000- )	Valve Assy, Water, Solenoid , 12vdc	1
14	20807	(000000- )	Cap, Rbr, 0.50id 1.18l Blk	1
15	43844	(000000- )	Clamp, Hose, Wormdrive, 0.25-0.62d, .31w	1
16	54333	(000000- )	Clamp, Hose, Wormdrive, 0.31-0.88d, .31w	6
17	1006410	(000000- )	Hose, Afmkt, Pvc, Brd 0.75id 03ft	3
18	63987-1	(000000- )	Fitting, Plstc, E90, Bm08/Bm08	3

Fig. 43 - Recovery Tank Group

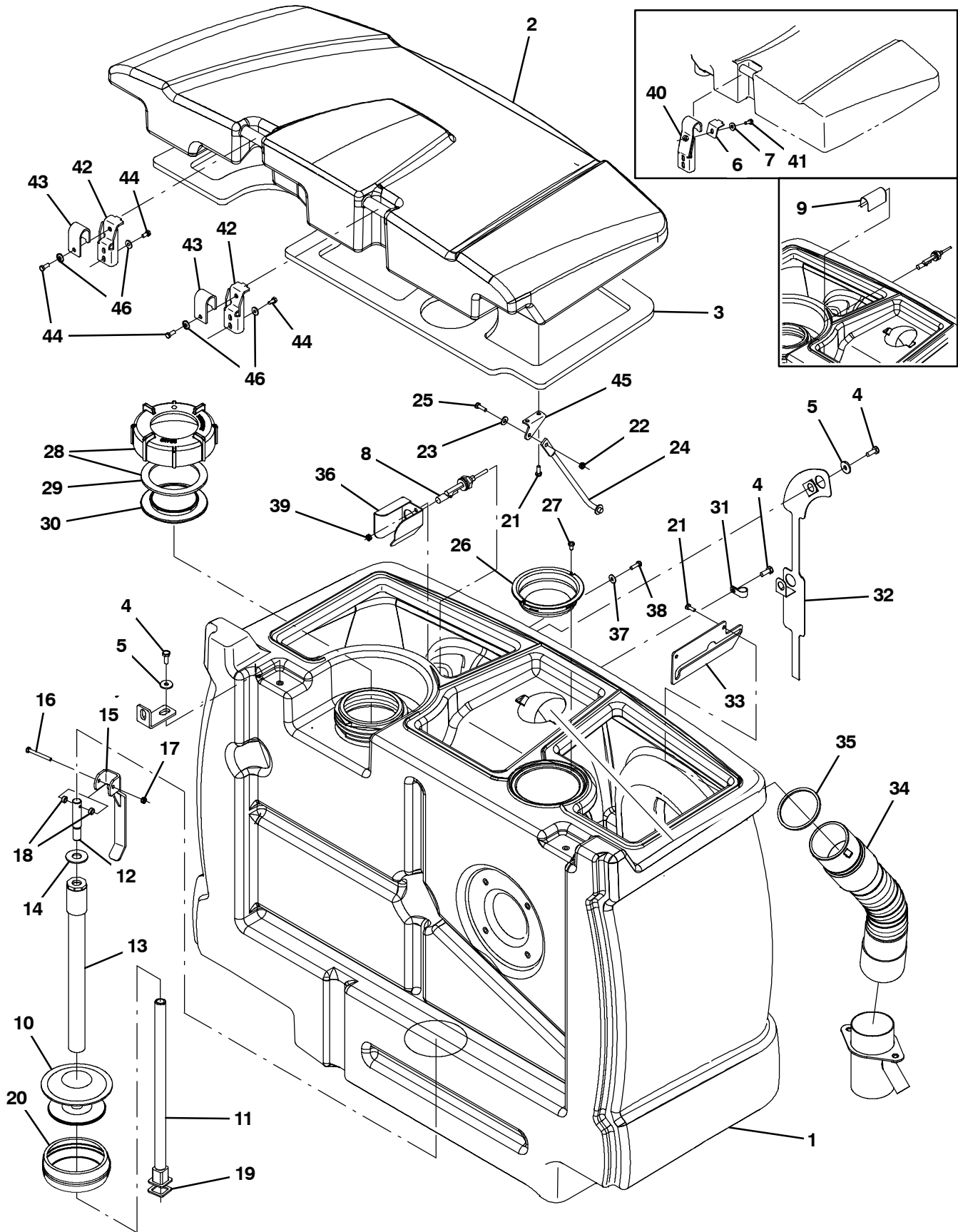


Fig. 43 - Recovery Tank Group

Ref.	Part No.	Serial Number	Description	Qty.
	1	1026316	(000000- ) Tank, Recvy, Trimmed	1
▽	2	9003072	(000000- ) Cover Kit, Tank, Recvy, Replmt [T20]	1
▲	3	1025562	(000000- ) Gasket, Tank, Recvy	1
	4	09740	(000000- ) Screw, Hex, M8 X 1.25 X 20, Ss	5
	5	1017218	(000000- ) Washer, Flat, 0.32b 1.00d .12, Ss	4
	6	1020263	(000000-001684 ) Bracket, Retaining, Cover (Replaced by 9003893)	2
	7	32491	(000000-001684 ) Washer, Flat, 0.31, Std	2
	8	385685	(000000- ) Sensor, Level, Liq, 14vdc 01a .62-11	1
	9	1019285	(000000-001608 ) Bracket, Protector, Float Switch (Replaced by 9003797)	1
▽		9003313	(000000- ) Plug Kit, Drain, Recvy, Ci [M20 & T20]	1
▲	10	1022370	(000000- ) Plug, Drain, Expandable, 4.75-6.00	1
▲	11	1028328	(000000- ) Tube Wldt, Plug, Drain	1
▲	12	1028173	(000000- ) Pin, Lift, Drain	1
▲	13	1028570	(000000- ) Tube Assy, Plug, Drain	1
▲	14	1028522	(000000- ) Washer, Flat, .78b 1.75d .18, Ss	1
▲	15	1028211	(000000- ) Handle Wldt, Drain	1
▲	16	58979	(000000- ) Screw, Hex, M6 X 1.0 X 55, Ss	1
▲	17	08712	(000000- ) Nut, Hex, Lock, M6 X 1.00, Ss, NI	1
▲	18	360801	(000000- ) Sleeve, 0.31b 0.50d 0.3l, Ss	1
▲	19	1035044	(000000- ) Seal, Shaft, Drain Plug	1
▲	20	1039652	(000000- ) Seal, Plug, Drain [Nitrile]	1
	21	1046798	(000000- ) Screw, Hex, .25-10 X 0.75, Fmg/a, Ss	4
	22	08712	(000000- ) Nut, Hex, Lock, M6 X 1.00, Ss, NI	1
	23	01684	(000000- ) Washer, Flat, 0.25, Ss	1
	24	54615	(000000- ) Arm Wldt, Safety, Sppt, Seat, .38d 10.1l	1
	25	08716	(000000- ) Screw, Hex, M6 X 1.0 X 20, Ss	1
	26	1026014	(000000- ) Screen, Vacuum	1
	27	382320	(000000- ) Screw, Pan, #12-16 X 0.50, F/ Plstc	2
▽	28	24358	(000000- ) Cap Assy, Tank, Drain	1
▲	29	1031699	(000000- ) Gasket, Lid	1
	30	86636	(000000- ) Cover, Tank	1
	31	67767	(000000- ) Clamp, Cable, Stl, 0.69d X 0.62w, 1h	1
	32	1030280	(000000- ) Shield Wldt, Switch, Float	1
	33	1025620	(000000- ) Plate, Mtg, Prop Rod	1
	34	1031610	(000000- ) Hose Assy, Sqg	1
	35	1021920	(000000- ) Gasket, 3.23ld 3.63Od .16Th, Ure	1
	36	1039697	(001609- ) Guard Wldt, Switch, Float	1
	37	76426	(001609- ) Washer, Sealing, 0.28b 0.75d Ss, Neo	2
	38	09007	(001609- ) Screw, Hex, M6 X 1.00 X 25, Ss	2
	39	08712	(001609- ) Nut, Hex, Lock, M6 X 1.00, Ss, NI	2
	40	1020065	(000000-001684 ) Bracket, Mtg, Cover (Replaced by 9003893)	2
	41	09740	(000000-001684 ) Screw, Hex, M8 X 1.25 X 20, Ss	2
	42	1039072	(001685- ) Bracket, Sppt, Cover, Tank, Recvy	1
	43	1039049	(001685- ) Bracket, Mtg, Cover, Recvy Tank	1
	44	16735	(001685- ) Screw, Hex, M8 X 1.25 X 16, 8.8	6
	45	1025619	(000000- ) Bracket, Mtg, Prop Rod	1
	46	32491	(001685- ) Washer, Flat, 0.31, Std	6

Fig. 44 - Recovery Tank Drain Group

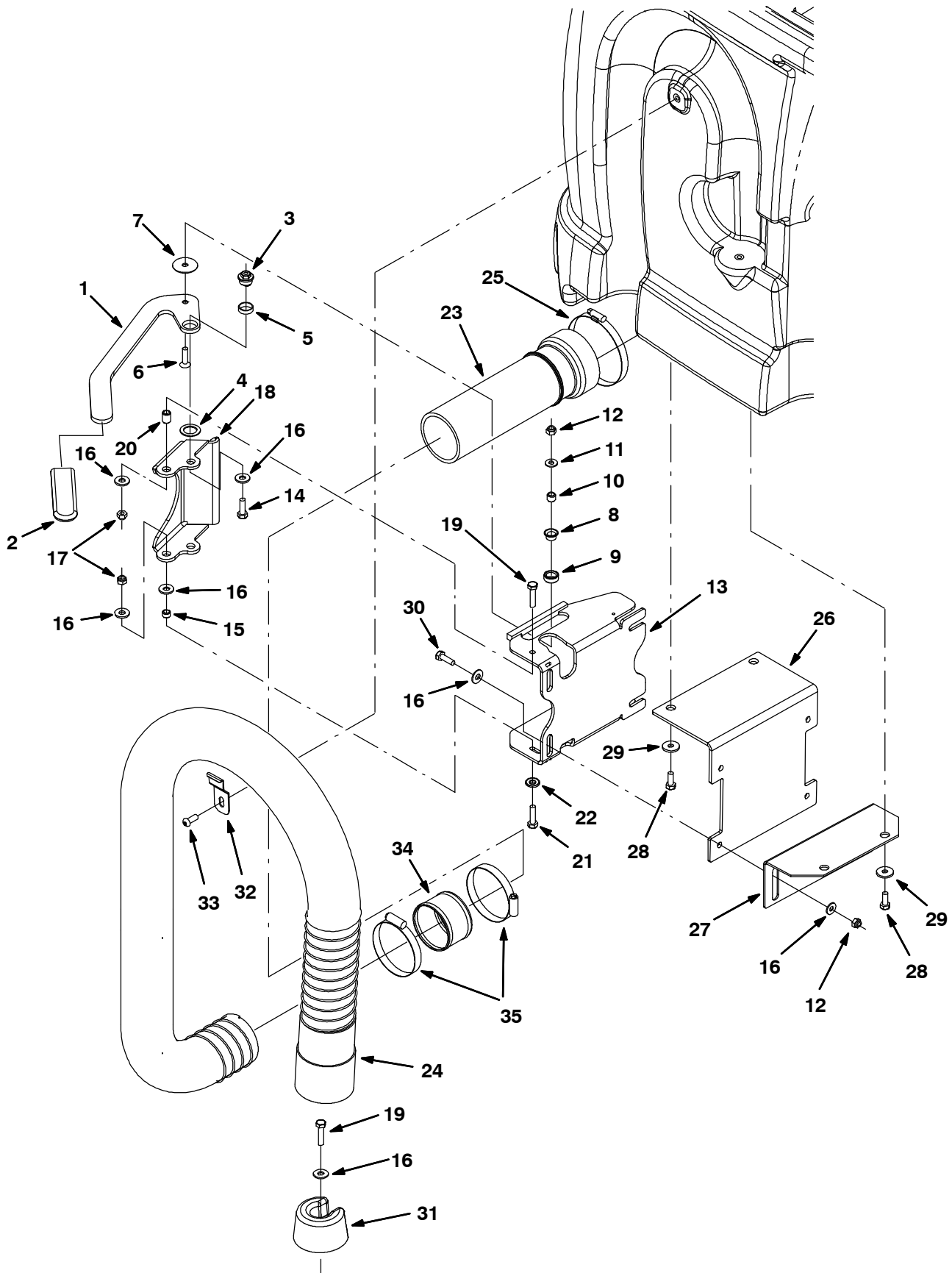




Fig. 44 - Recovery Tank Drain Group

Ref.	Part No.	Serial Number	Description	Qty.
1	1026142	(000000-	) Handle, Valve, Pinch, Lh	1
2	1023502	(000000-	) Grip, Handle	1
3	1024599	(000000-	) Bushing, Eccentric, Adj	1
4	1026051	(000000-	) Washer, Flat, 0.79b 1.18d .06, Nyl	1
5	74090	(000000-	) Bushing, Sleeve, 0.75b 0.88d 0.25l	1
6	79506	(000000-	) Screw, Flt, M8 X 1.25 X 30, Ss	1
7	1028701	(000000-	) Washer, Thrust, 0.34b 1.50d .06	1
8	15648	(000000-	) Bushing, Flng, 0.50b 0.59d 0.38l	1
9	1028691	(000000-	) Roller, Brg	1
10	1028690	(000000-	) Tube, 0.50d 0.32b 00.4l, Ss	1
11	39349	(000000-	) Washer, Flat, 0.31, Sae	1
12	08713	(000000-	) Nut, Hex, Lock, M8 X 1.25, NI, Ss	9
13	1042010	(000000-	) Mount Wldt, Valve, Pinch, Lh	1
14	39277	(000000-	) Screw, Hex, M8 X 1.25 X 25, 8.8	1
15	222516	(000000-	) Sleeve, P/M, 0.31b 0.50d 0.3l [430ss]	1
16	32491	(000000-	) Washer, Flat, 0.31, Std	10
17	08713	(000000-	) Nut, Hex, Lock, M8 X 1.25, NI, Ss	3
18	1024535	(000000-	) Arm, Pinch	1
19	06955	(000000-	) Screw, Hex, M8 X 1.25 X 35, 8.8	2
20	80395	(000000-	) Sleeve, P/M, 0.31b 0.50d 0.7l [430ss]	1
21	76570	(000000-	) Screw, Hex, M8 X 1.25 X 30, 8.8	1
22	41186	(000000-	) Washer, Flat, Belleville, .31	1
23	9003794	(000000-	) Tube Kit, Tank, Recvy, Replmt	1
24	1019424	(000000-	) Hose, Drain, 3.00id X 48.0l	1
25	23498	(000000-	) Clamp, Hose, Wormdrive, 3.56-4.50d, .50w	1
26	1025449	(000000-	) Angle, Mtg, Valve	2
27	1025452	(000000-	) Angle, Mtg, Stl, .12 3.7 3.4 09.1l	2
28	09740	(000000-	) Screw, Hex, M8 X 1.25 X 20, Ss	4
29	1017218	(000000-	) Washer, Flat, 0.32b 1.00d .12, Ss	4
30	09010	(000000-	) Screw, Hex, M8 X 1.25 X 25, Ss	4
31	1022137	(000000-	) Plug, Hose, Pyu	1
32	1025480	(000000-	) Bracket, Retaining, Hose	1
33	393135	(000000-	) Screw, Btn, M8 X 1.25 X 20, Blk	1
34	1020744	(000000-	) Tube, Rnd, 3.00d 2.90b 02.0l, Ss	1
35	43555	(000000-	) Clamp, Hose, Wormdrive, 2.50-3.50d, .50w	2

**Fig. 45 - Vacuum Fan Group, Scrubbing**

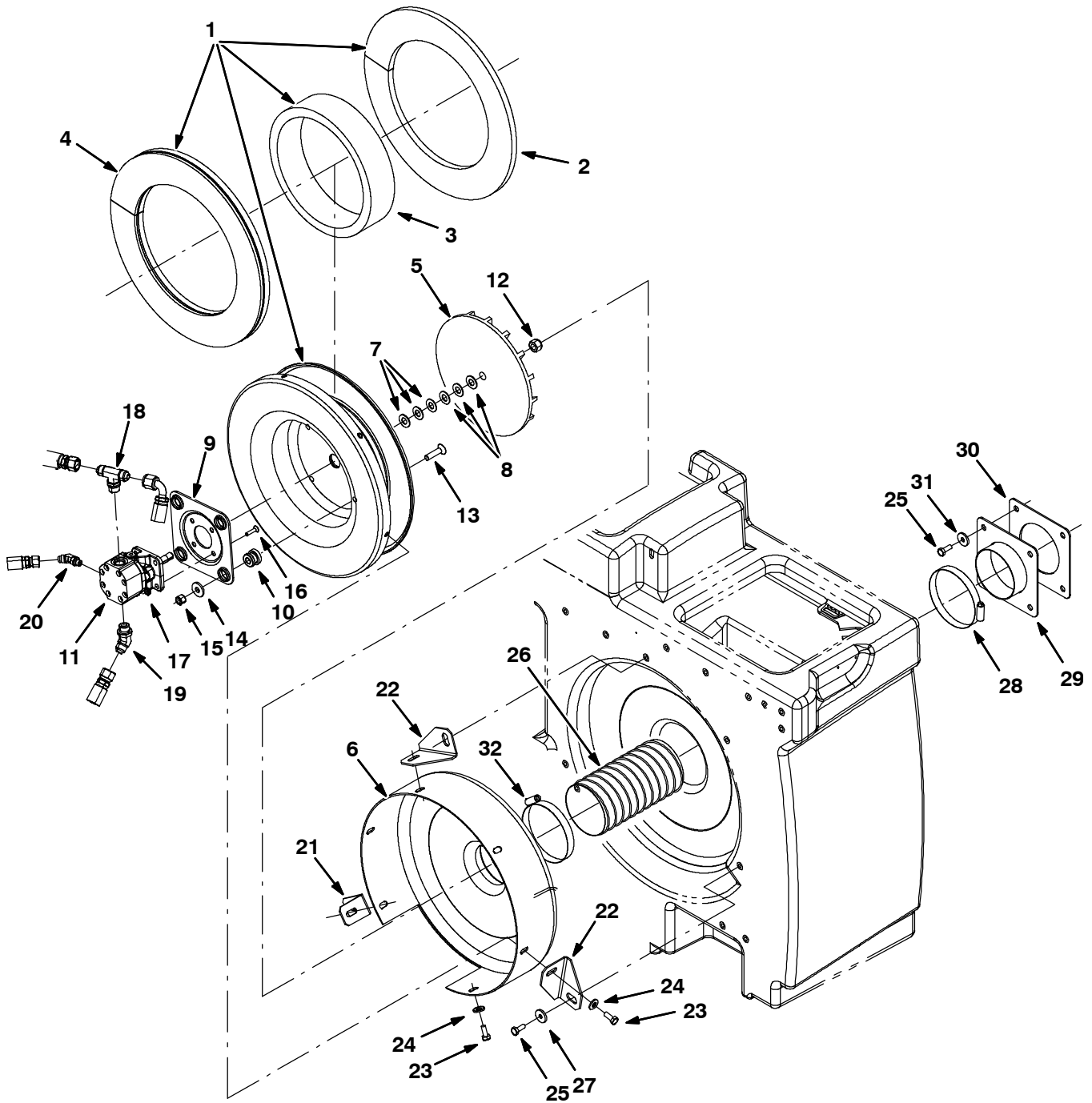
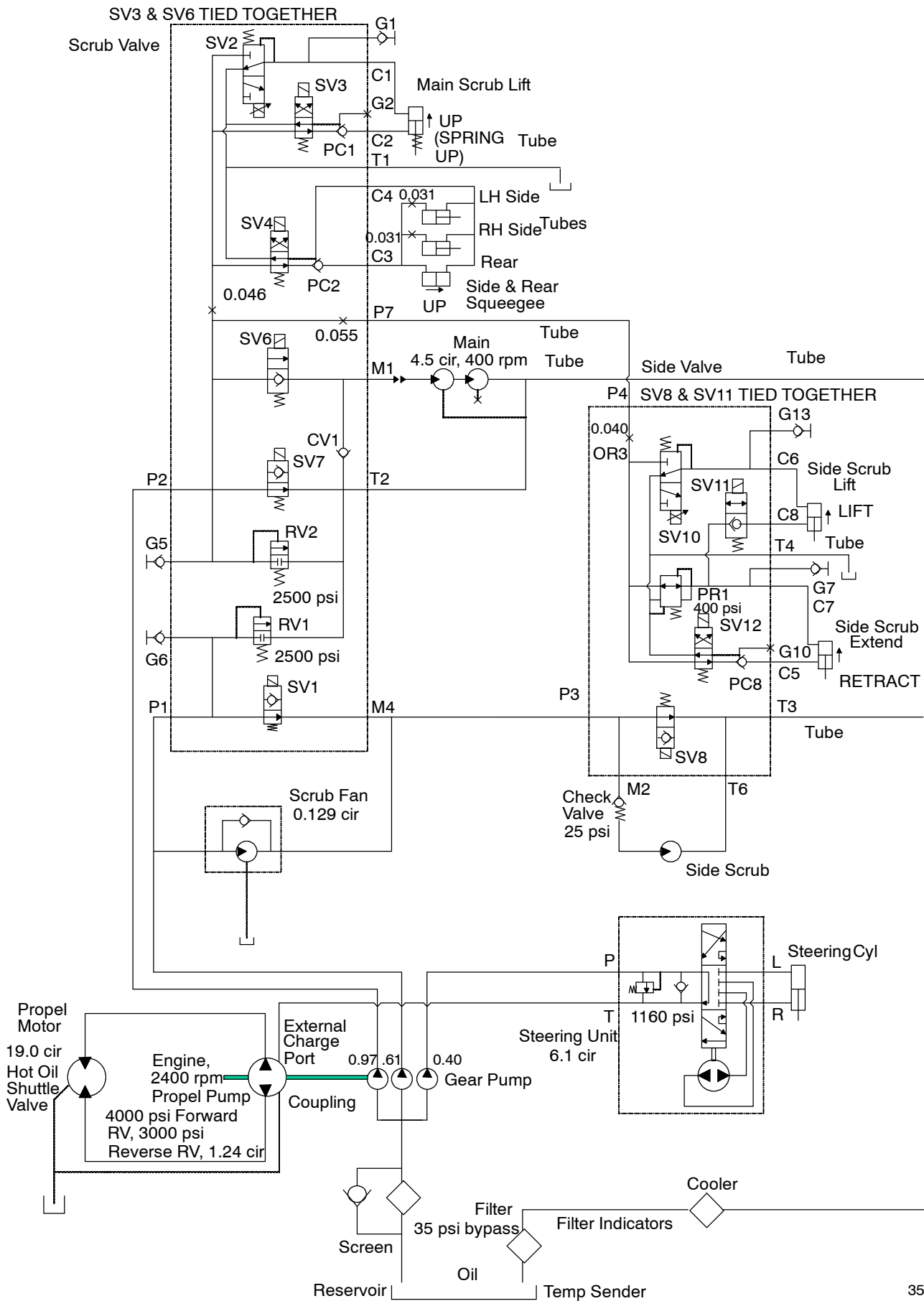


Fig. 45 - Vacuum Fan Group, Scrubbing

Ref.	Part No.	Serial Number	Description	Qty.
▽	9003455	(000000-	) Fan Kit, Scrub, Replmt [M20/T20]	1
▲▽	1 9002684	(000000-	) Housing Assy, Vacfan, Scrbr	1
▲▲	2 1025888	(000000-	) Insulation, Flame-Retardant, 0.50	1
▲▲	3 1025887	(000000-	) Insulation, Flame-Retardant, 0.75-0.88	1
▲▲	4 1025872	(000000-	) Insulation, Flame-Retardant, 0.75-0.88	1
▲	5 03922	(000000-	) Impeller, 9.5d, 18 Blade Mach	1
▲	6 57189	(000000-	) Housing Wldt, Vacfan, Front [528]	1
▲	7 75456-3	(000000-	) Shim, Washer, 0.88d 0.51b .020	3
▲	8 75456-4	(000000-	) Shim, Washer, 0.88d 0.51b .060	3
▲	9 54275A	(000000-	) Bracket, Mtg, Motor	1
▲	10 54274	(000000-	) Isolator, Vib, Bshg, 1.1d 0.6l .4b 0.78h	4
▲▽	11 9003461	(000000-	) Motor Kit, Replmt [M20&T20]	1
▲▲	00954	(000000-	) Key, Sq, 0.12 X 0.12, 1.00l (Included With Motor)	1
▲▲	74233	(000000-	) Kit, Seal, Motor, Hyd, Gear[Barns]	1
▲▲	12 41130	(000000-	) Nut, Low Crown, .50-20	1
▲▲	13 54861	(000000-	) Screw, Flt, .38-16 X 1.50, Al	4
▲▲	14 1014563	(000000-	) Washer, Flat, 0.40b 1.12d .12, Ss	4
▲▲	15 36643	(000000-	) Nut, Hex, Lock, .38-16, NI, Thin	4
▲▲	16 39534	(000000-	) Screw, Flt, .25-20 X 1.00, Al	4
▲▲	17 32981	(000000-	) Nut, Hex, Lock, .25-20, NI	4
▲▲	18 49933	(000000-	) Fitting, Hyd, Tee, Jm08/Jm08/Om08, Br	1
▲▲	19 42226	(000000-	) Fitting, Hyd, E45, Jm08/Om08	1
▲▲	20 392609	(000000-	) Fitting, Hyd, E45, Jm06/Om04	1
▲	21 1020320	(000000-	) Angle, Sppt, Fan	1
▲	22 1024891	(000000-	) Bracket, Mtg, Fan	2
▲	23 16931	(000000-	) Screw, Hex, M8 X 1.25 X 20, 8.8	6
▲	24 41186	(000000-	) Washer, Flat, Belleville, .31	6
	25 09740	(000000-	) Screw, Hex, M8 X 1.25 X 20, Ss	7
	26 1022377	(000000-	) Hose, Air-Intk, Flex 4.00id 18.0l	1
	27 1014563	(000000-	) Washer, Flat, 0.40b 1.12d .12, Ss	3
	28 79380	(000000-	) Clamp, Hose, Wormdrive, 3.75-4.62d, .62w	1
	29 1023754	(000000-	) Plate Wldt, Hose, Vacuum	1
	30 1024853	(000000-	) Gasket, Plt, Hose, Vacuum	1
	31 1017218	(000000-	) Washer, Flat, 0.32b 1.00d .12, Ss	4
	32 23498	(000000-	) Clamp, Hose, Wormdrive, 3.56-4.50D, .50W	1

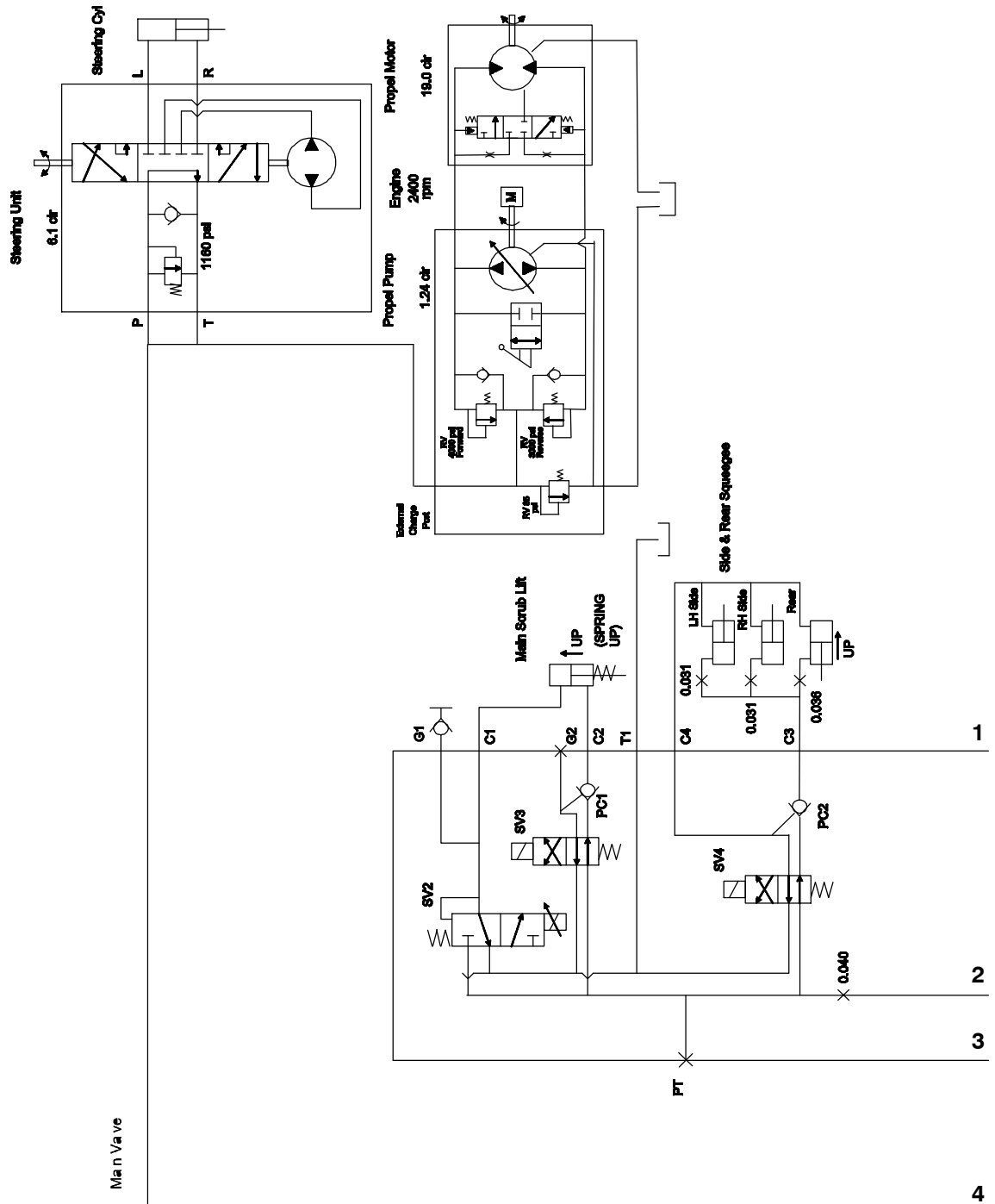
Fig. 46 - Hydraulic Schematic (000000-001503)



354520

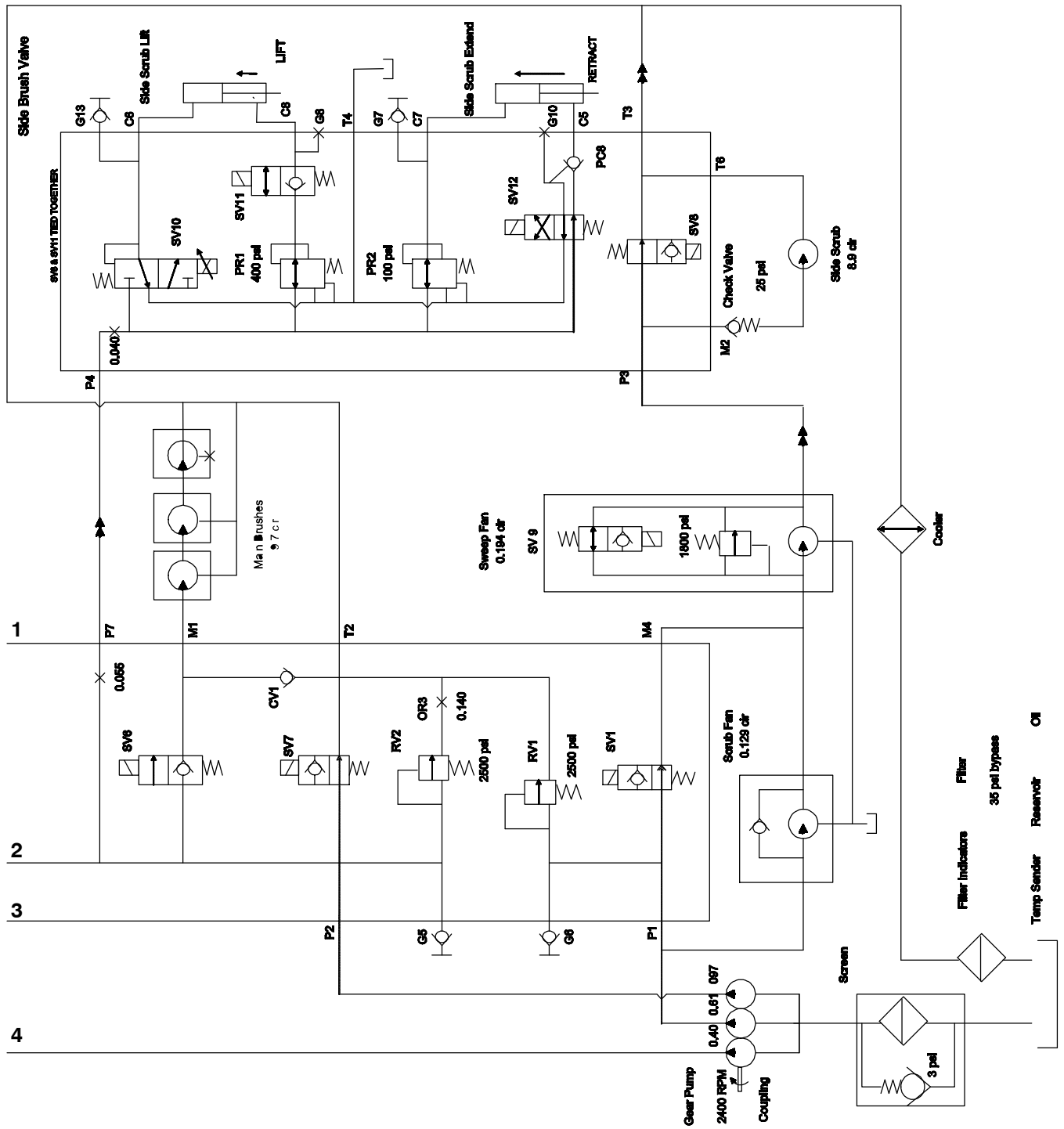


Fig. 47 - Hydraulic Schematic (001504- )



354520

Fig. 47 - Hydraulic Schematic (001504- )



354520

**Fig. 48 - Hydraulic Hose Group, Steering and Propel**

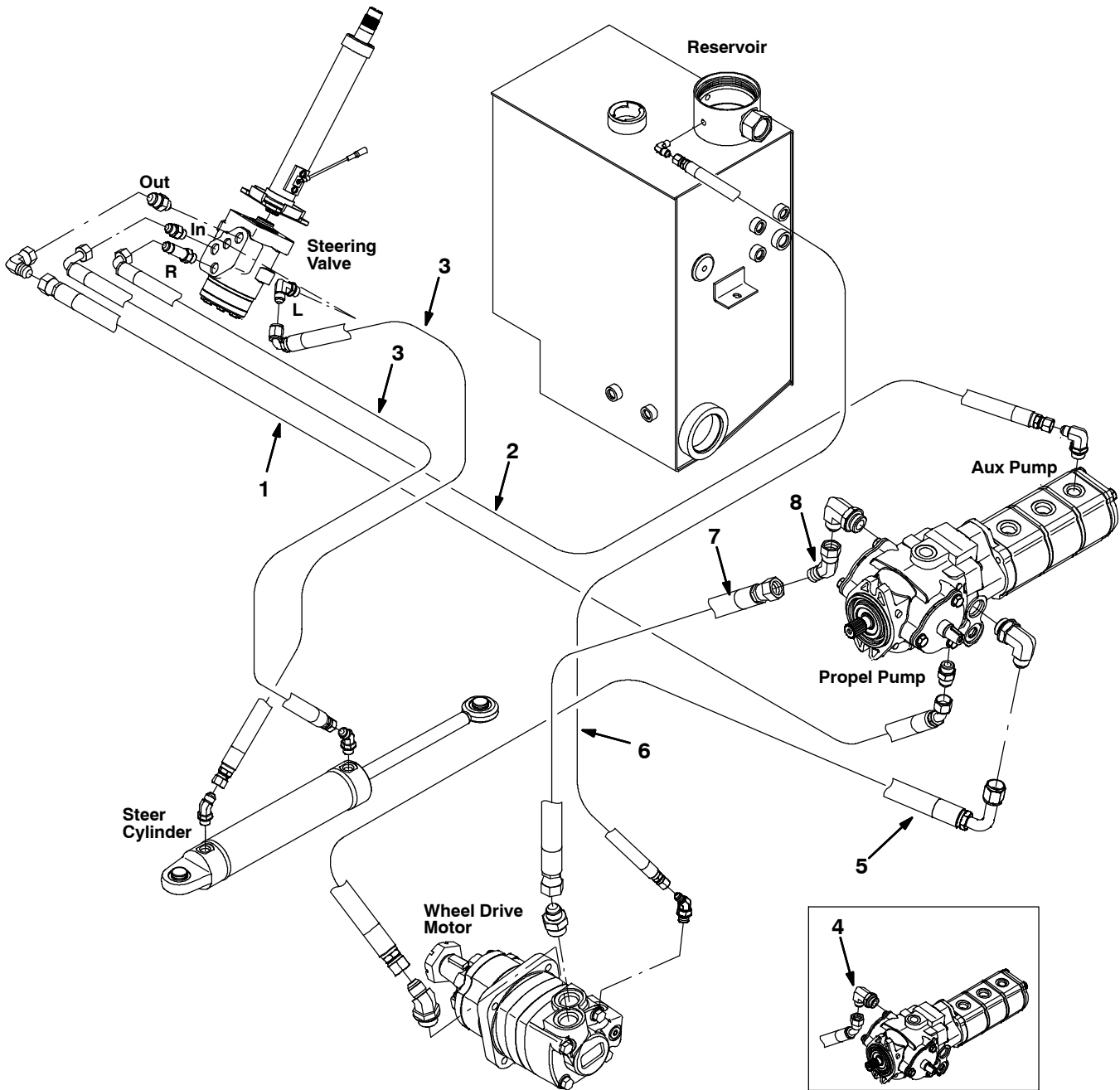




Fig. 48 - Hydraulic Hose Group, Steering and Propel

Ref.	Part No.	Serial Number	Description	Qty.
1	1023609	(000000-	) Hose, Hyd, Tc08, Jf08e45/Jf08str, 96.0	1
2	1023608	(000000-	) Hose, Hyd, Tc06, Jf06e90/Jf06str, 104.0	1
3	396221	(000000-	) Hose, Hyd, Tc06, Jf06e90/Jf06str, 040.0	2
4	1023489	(000000-001574	) Hose, Hyd, Spcl, Jf10e45/Jf10str, 58.0 (Replaced by 1039148)	1
5	1023488	(000000-	) Hose, Hyd, Spcl, Jf10e90/Jf10str, 63.0	1
6	1030404	(000000-	) Hose, Hyd,Med04, Jf04str/Jf04str, 066.0	1
7	1038569	(001575-	) Hose, Hyd, Spcl, Jf10str/Jf10str, 56.5	1
8	54017	(001575-	) Fitting, Hyd, E45, Jf10/Jm10	1

Fig. 49 - Hydraulic Hose Group, Pump and Vacuum Fan

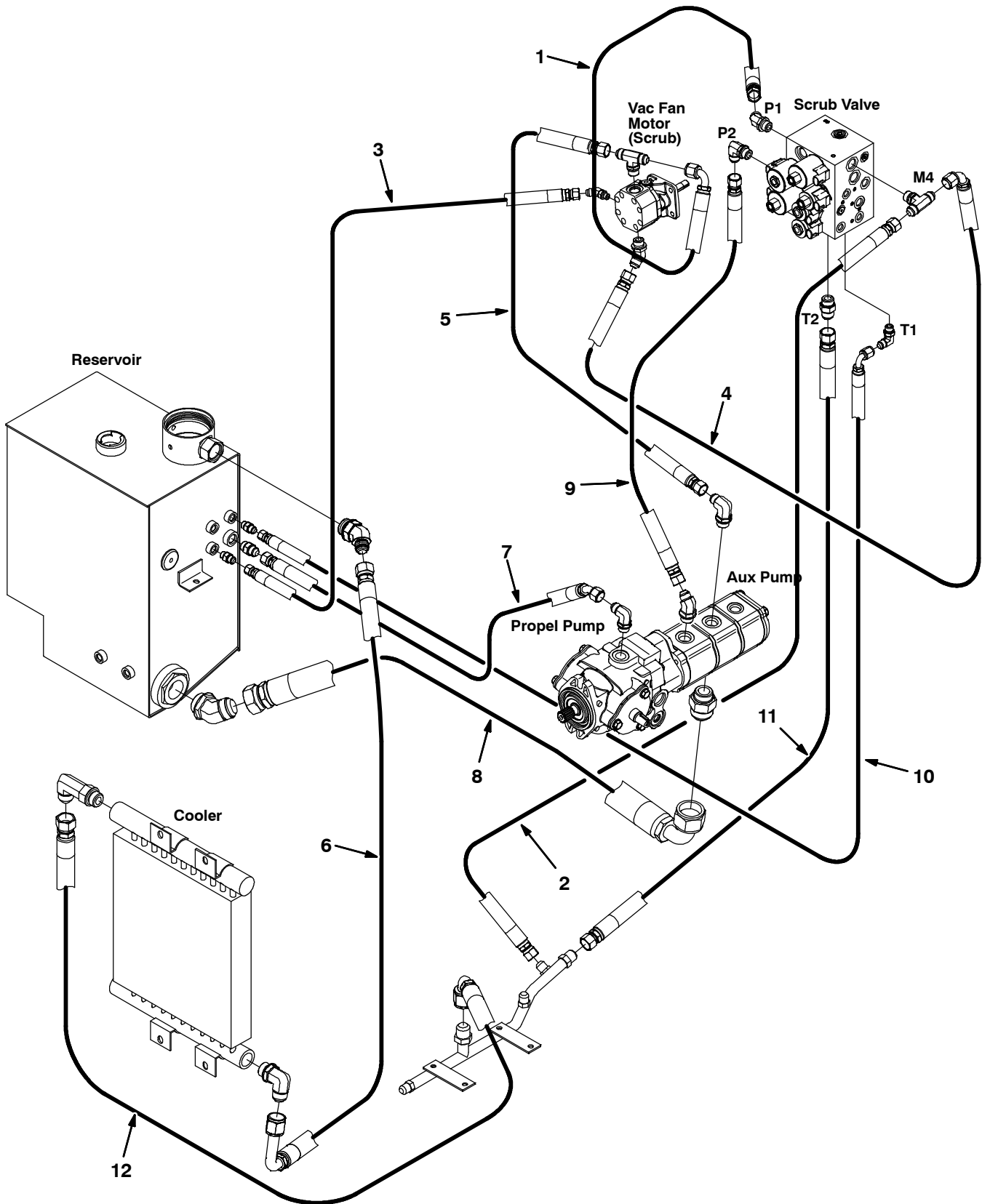


Fig. 49 - Hydraulic Hose Group, Pump and Vacuum Fans

Ref.	Part No.	Serial Number	Description	Qty.
1	71741	(000000-	) Hose, Hyd, Tc08, Jf08e90/Jf08str, 046.0	1
2	65197	(000000-	) Hose, Hyd, Med08, Jf08e90/Jf08str, 062.0	1
3	396273	(000000-	) Hose, Hyd, Med06, Jf06str/Jf06str, 033.0	1
4	396255	(000000-	) Hose, Hyd, Tc08, Jf08str/Jf08e90, 031.0	1
5	1026645	(000000-	) Hose, Hyd, Tc08, Jf08e45/Jf08str, 26.0	1
6	1023487	(000000-	) Hose, Hyd, Med12, Jf12e90/Jf12str, 50.0	1
7	1023607	(000000-	) Hose, Hyd, Med08, Jf08str /Jf08e45, 21.0	1
8	1036710	(000000-	) Hose, Hyd, Suc 20, Jf20Str/Jf20E90, 030.0	1
9	1023606	(000000-	) Hose, Hyd, Tc08, Jf08str/Jf08str, 21.0	1
10	71735	(000000-	) Hose, Hyd, Med06, Jf06e90/Jf06str, 042.0	1
11	1025547	(000000-	) Hose, Hyd, Med10, Jf10str/Jf10str, 41.0	1
12	396438	(000000-	) Hose, Hyd, Tc12, Jf12e90/Jf12str, 044.0	1

**Fig. 50 - Hydraulic Hose Group, Cylindrical Brush**

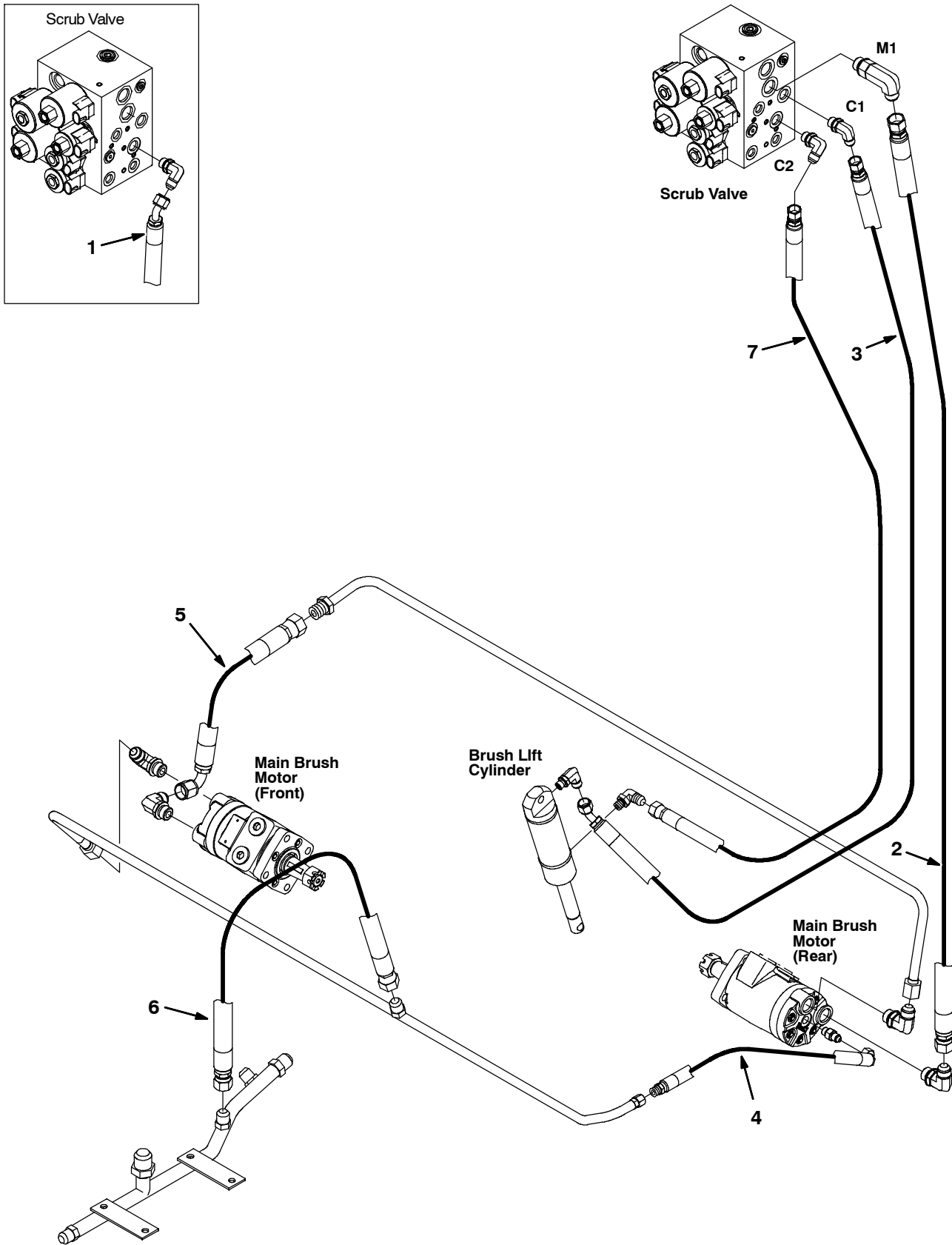


Fig. 50 - Hydraulic Hose Group, Cylindrical Brush

Ref.	Part No.	Serial Number	Description	Qty.
1	1025548	(000000-001037 )	Hose, Hyd, Tc06, Jf06str /Jf06e45, 54.0	1
2	1024764	(000000-	) Hose, Hyd, Tc08, Jf08str/Jf08str, 48.0	1
3	1023769	(000000-	) Hose, Hyd, Tc 06, Jf06str /Jf06e45, 56.0	1
4	57946	(000000-	) Hose, Hyd, Med04, Jf04e90/Jf04str, 016.0	1
5	1025544	(000000-	) Hose, Hyd, Tc08, Jf08e90/Jf08str, 13.0	1
6	51754	(000000-	) Hose, Hyd, Med08, Jf08str/Jf08str, 022.0	1
7	1036939	(001038-	) Hose, Hyd, Tc06, Jf06Str/Jf06Str, 054.0	1

Fig. 51 - Hydraulic Hose Group, Disk Brush

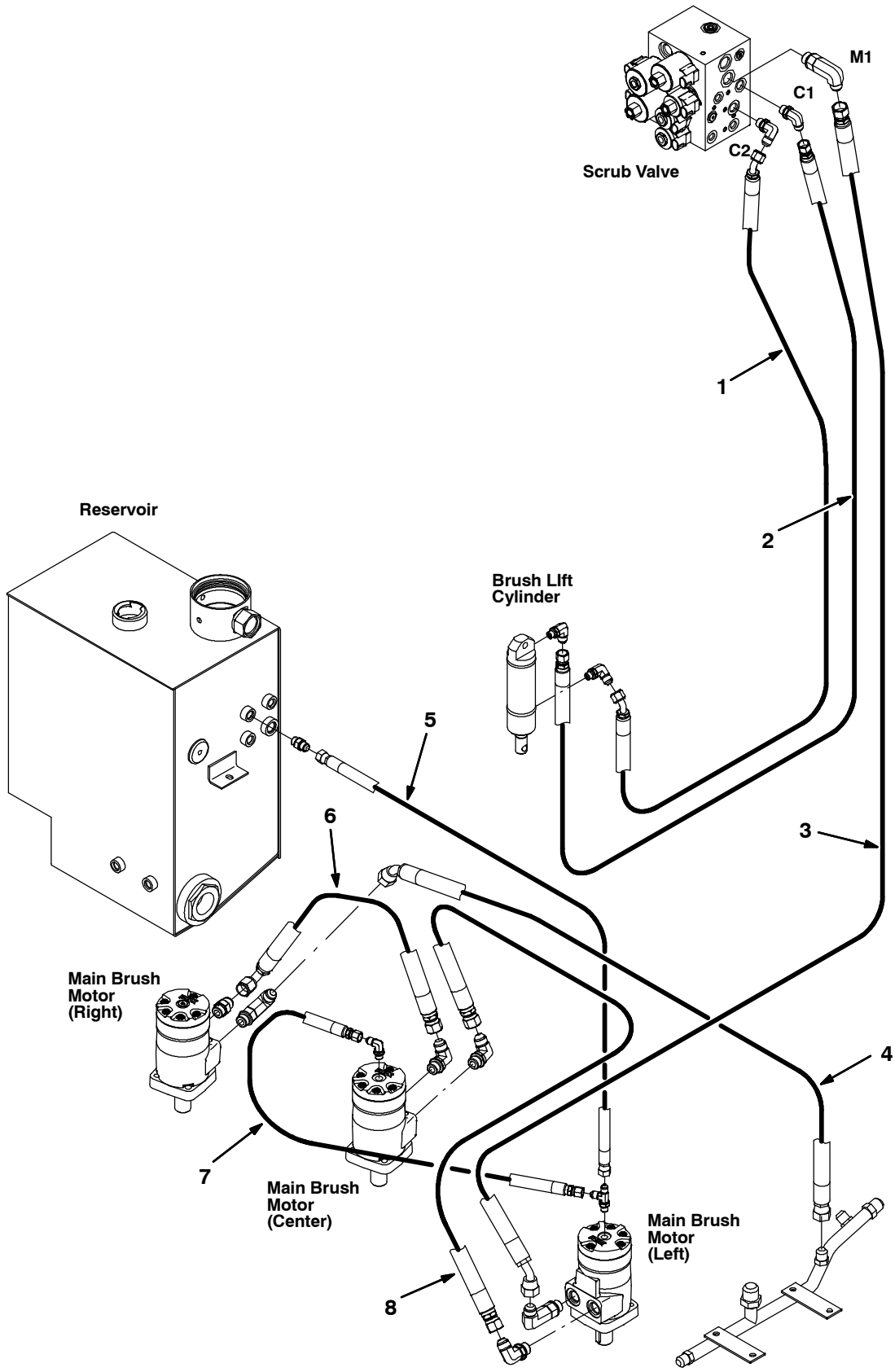


Fig. 51 - Hydraulic Hose Group, Disk Brush

Ref.	Part No.	Serial Number	Description	Qty.
1	1025548	(000000-	) Hose, Hyd, Tc06, Jf06str /Jf06e45, 54.0	1
2	1023769	(000000-	) Hose, Hyd, Tc 06, Jf06str /Jf06e45, 56.0	1
3	381854	(000000-	) Hose, Hyd, Tc08, Jf08e45/Jf08str, 052.0	1
4	16462	(000000-	) Hose, Hyd, Med08, Jf08e45/Jf08str, 046.0	1
5	381866	(000000-	) Hose, Hyd, Tc04, Jf04str/Jf04str, 036.0	1
6	396278	(000000-	) Hose, Hyd, Tc08, Jf08e90/Jf08str, 020.0	1
7	381866	(000000-	) Hose, Hyd, Tc04, Jf04str/Jf04str, 036.0	1
8	365009	(000000-	) Hose, Hyd, Tc08, Jf08str/Jf08str, 040.0	1

Fig. 52 - Hydraulic Hose Group, Squeegee Lift

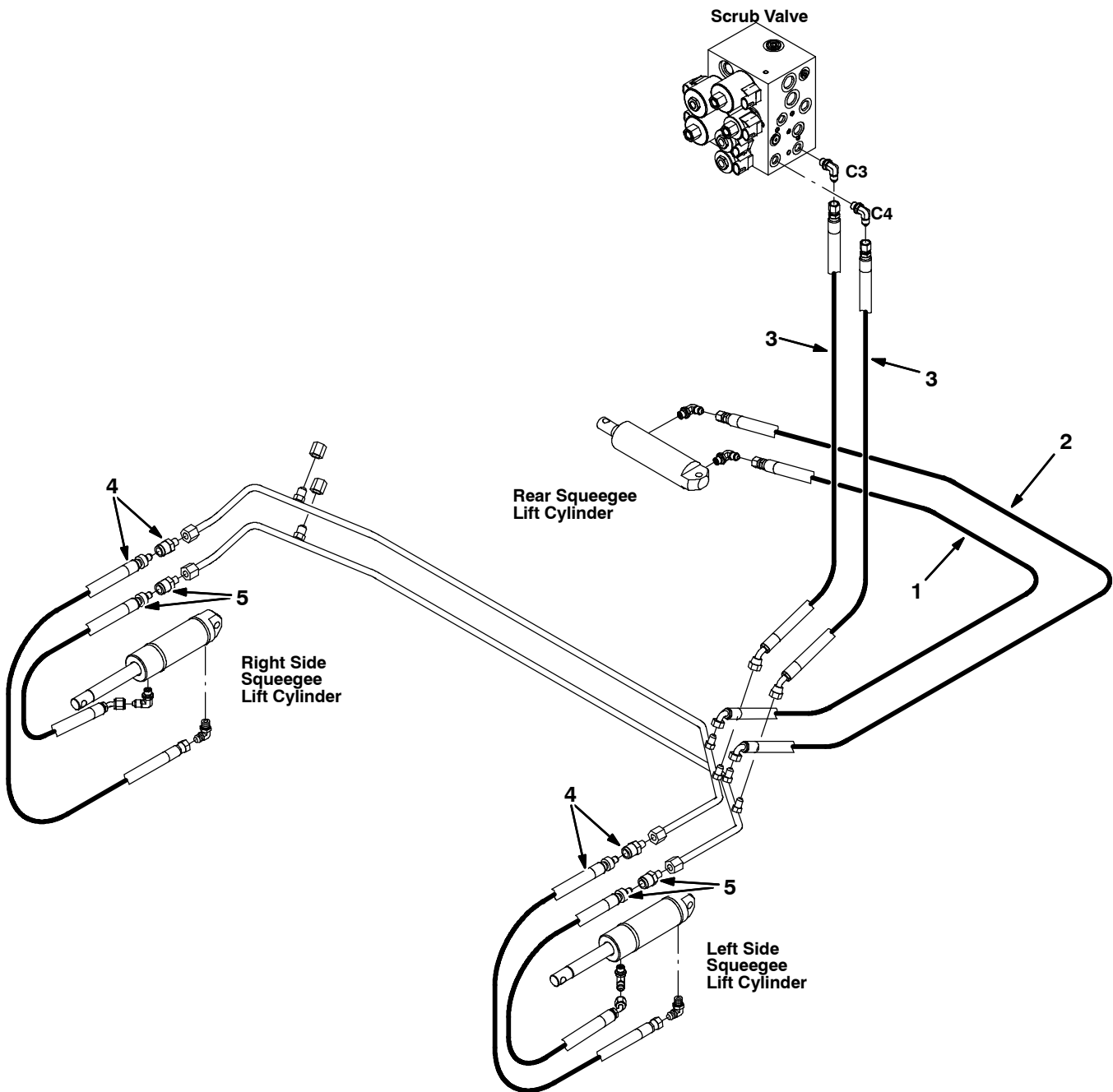




Fig. 52 - Hydraulic Hose Group, Squeegee Lift

Ref.	Part No.	Serial Number	Description	Qty.
1	1029061	(000000-	) Hose, Hyd, Tc04, Jf04e90/Jf04str, 42.0l	1
2	1029062	(000000-	) Hose, Hyd, Tc04, Jf04e90/Jf04str, 46.0l	1
3	1030709	(000000-	) Hose, Hyd, Tc 04, Jf04str /Jf04e45 , 35.0	2
4	1045759	(001755-	) Hose, Hyd, Tc04, Jf04Str/Qm06, 028.0	2
4	1037042	(000000-001754	) Hose, Hyd, Tc04, Jf04E45/Qm06, 028.0	2
5	1036899	(000000-	) Hose, Hyd, Tc04, Jf04E45/Qm06, 024.0	2

Fig. 53 - Hydraulic Pumps Group

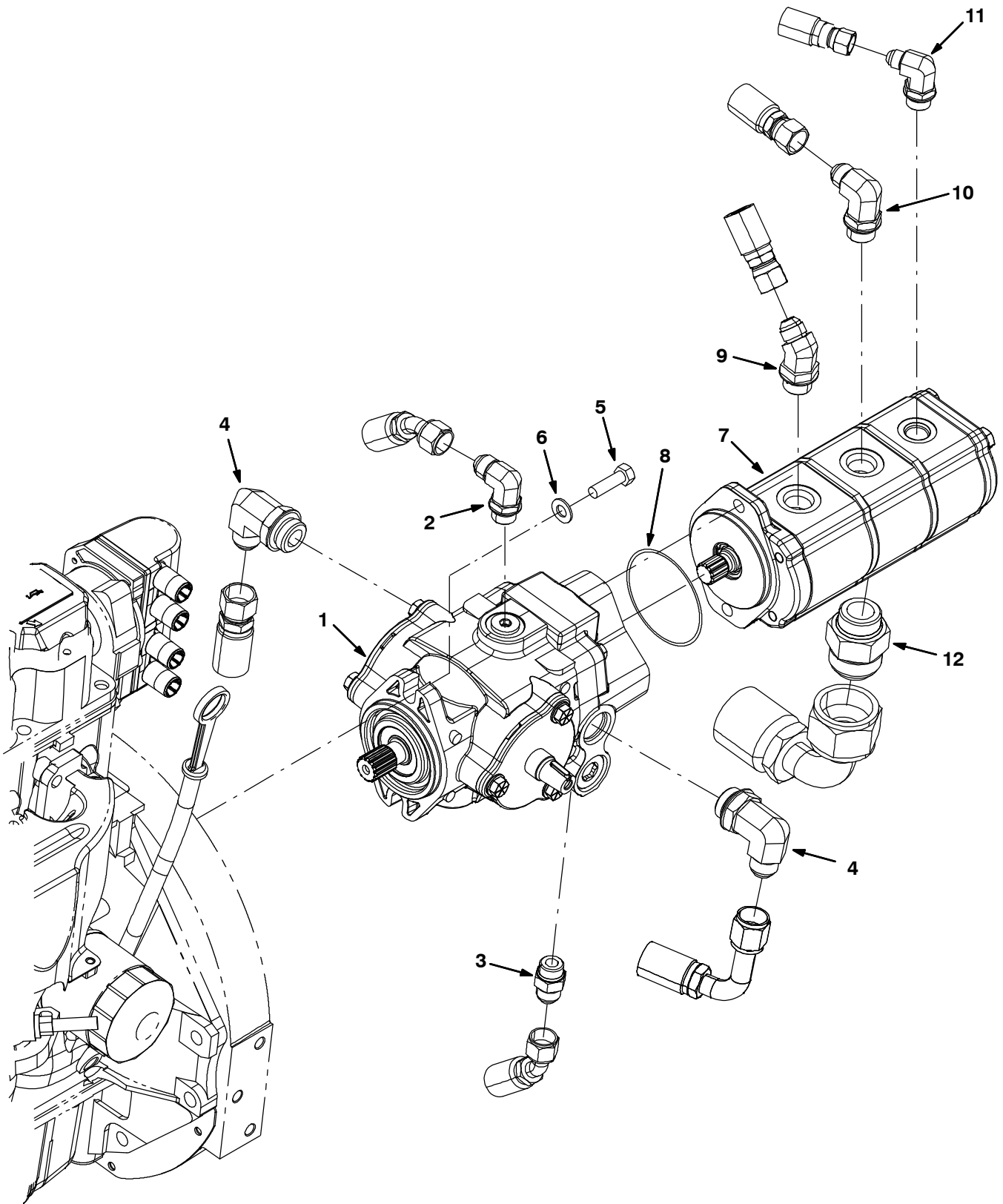


Fig. 53 - Hydraulic Pumps Group

Ref.	Part No.	Serial Number	Description	Qty.
1	1024251	(000000-	) Pump, Hyd, Piston, Var, 1.24 4000, Cw (See Breakdown)	1
2	44868	(000000-	) Fitting, Hyd, E90, Jm08/Om08	1
3	44869	(000000-	) Fitting, Hyd, Str, Jm08/Om08	1
4	53076	(000000-	) Fitting, Hyd, E90, Jm10/Om12	2
5	21198	(000000-	) Screw, Hex, .38-16 X 1.25, 5	22
6	32485	(000000-	) Washer, Flat, 0.38 Sae	2
7	1022666	(000000-	) Pump, Hyd, Gear, Ext, 3, 00.97 2500, Cw	1
8	65145-1	(000000-	) Seal, Org, .069 X 3.06id	11
9	47513	(000000-	) Fitting, Hyd, E45, Jm08/Om10	1
10	56821	(000000-	) Fitting, Hyd, E90, Jm08/Om10	1
11	47512	(000000-	) Fitting, Hyd, E90, Jm06/Om08	1
12	67811	(000000-	) Fitting, Hyd, Str, Jm20/Om16	1

Fig. 54 - Hydraulic Cooler and Tubes Group

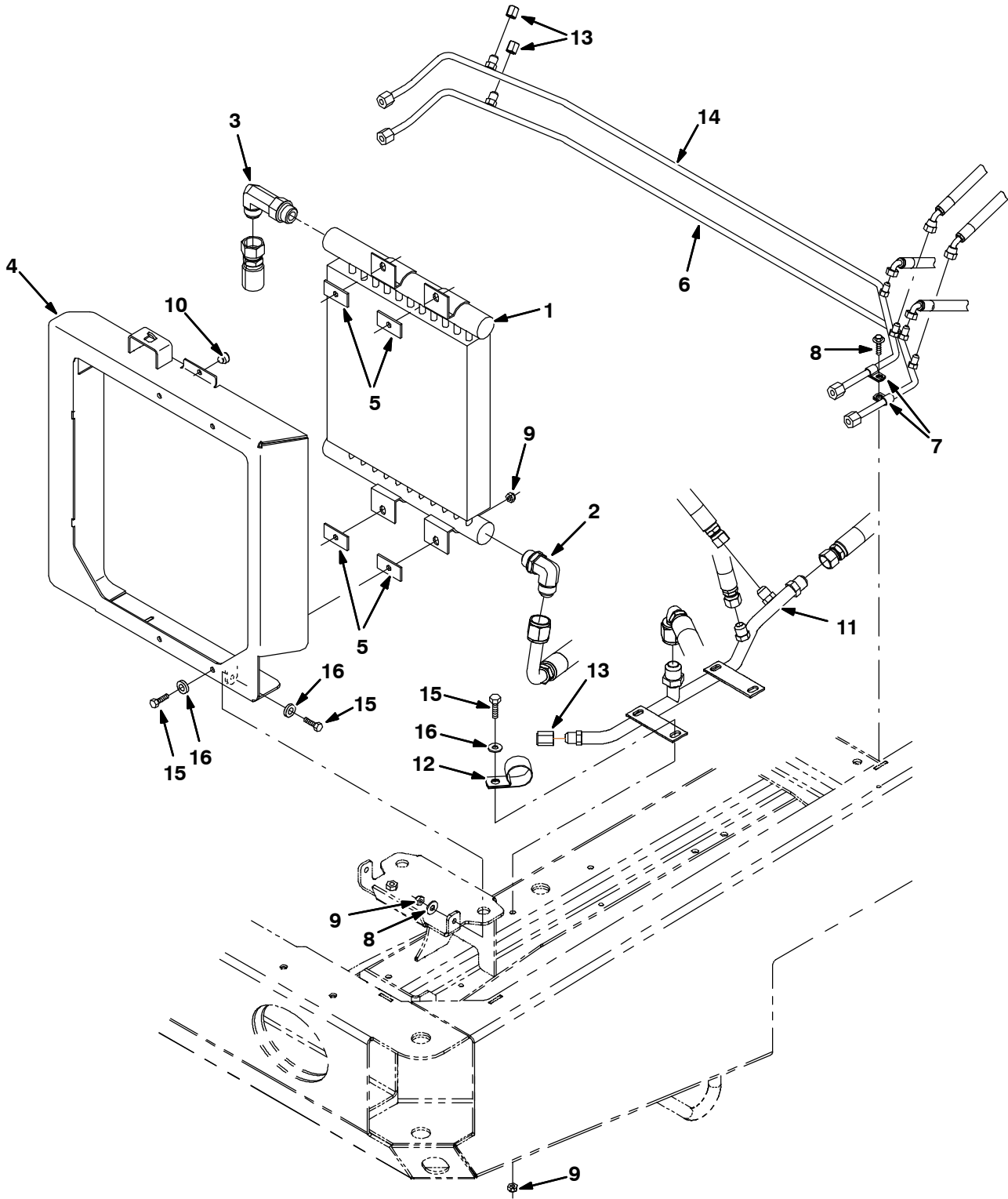


Fig. 54 - Hydraulic Cooler and Tubes Group

Ref.	Part No.	Serial Number	Description	Qty.
1	13698	(000000-	) Cooler, Hyd, 25gpm 325btu Of12 13x12x2	1
2	46481	(000000-	) Fitting, Hyd, E90, Jm12/Om12	1
3	62471	(000000-	) Fitting, Hyd, E90, Jm12/Om12, L	1
4	1026319	(000000-	) Bracket Wldt, Cooler, Hyd Fluid	1
5	1040318	(000000-	) Pad, Tank, Hyd [W/Psa]	4
6	1028822	(000000-	) Tube, Hyd, Sqge	1
7	40678	(000000-	) Clamp, Cable, Stl, 0.44d X 0.62w, 1h	2
8	74455	(000000-	) Screw, Hex, M6 X 1.0 X 12, Fmg	1
9	07791	(000000-	) Nut, Hex, Fing, M8 X 1.25	8
10	51787	(000000-	) Bumper, Rbr, 0.6d 0.34t .3d Tip	1
11	1023081	(000000-	) Tube, Hyd, Main Return [M20]	1
12	53466	(000000-	) Clamp, Cable, Stl, 1.50d X 1.00w, 1h	1
13	40625	(000000-	) Fitting, Hyd, Cap, Jf06	3
14	1028821	(000000-	) Tube, Hyd, Sqge	1
15	39277	(000000-	) Screw, Hex, M8 X 1.25 X 25, 8.8	8
16	32491	(000000-	) Washer, Flat, 0.31, Std	7

Fig. 55 - Hydraulic Reservoir Group

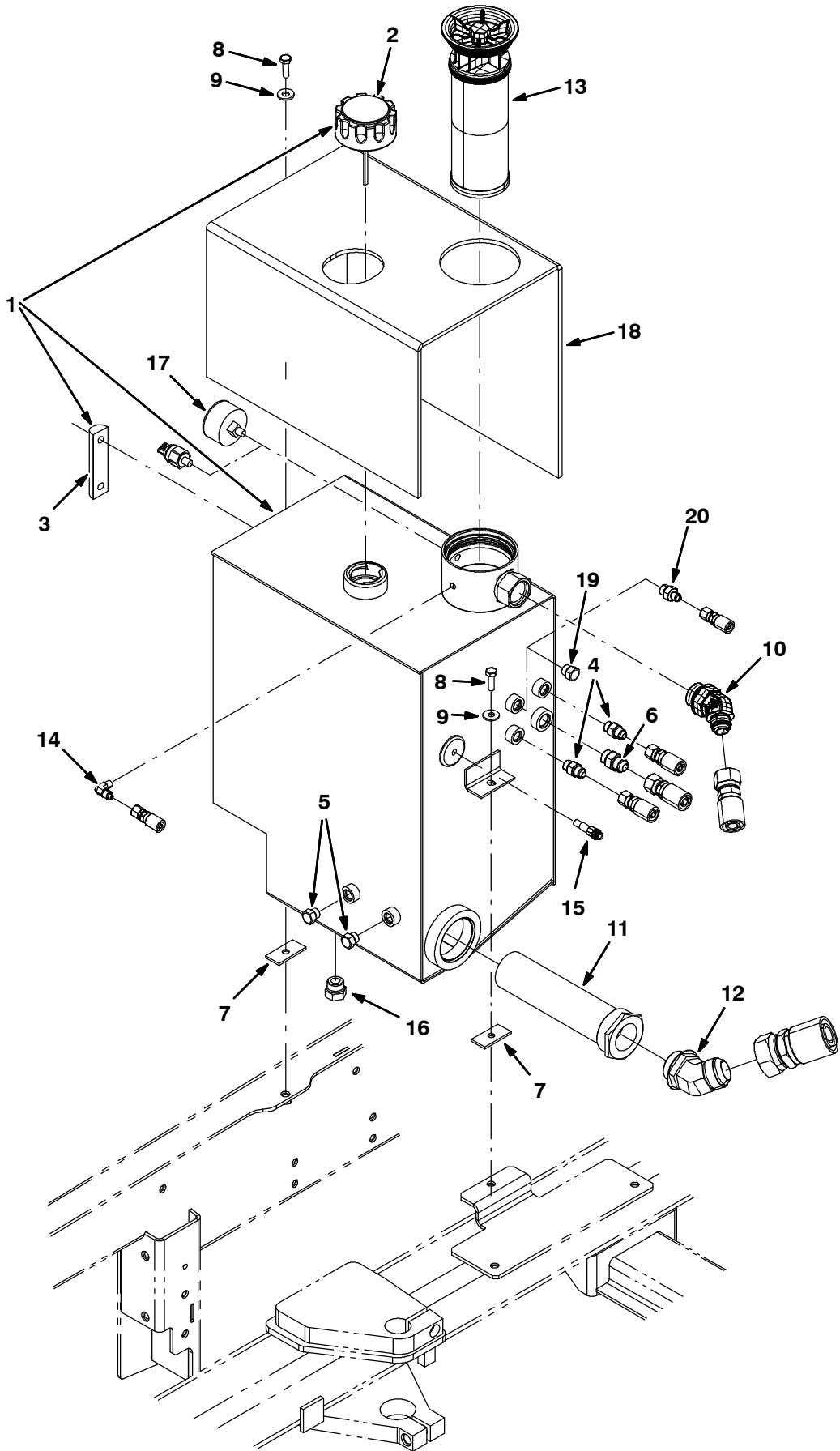


Fig. 55 - Hydraulic Reservoir Group

	Ref.	Part No.	Serial Number	Description	Qty.
▽	1	9002398	(000000-	) Reservoir, Hyd, 10.0Gal, Replmt	1
▲	2	25122	(000000-	) Cap, Breather, Hyd, 2.4 Ds	1
▲	3	65215	(000000-	) Gauge, Sensing, Level	1
	4	56690	(000000-	) Fitting, Hyd, Str, Jm06/Om06	2
	5	46482	(000000-	) Fitting, Hyd, Plug, Om06	2
	6	44869	(000000-	) Fitting, Hyd, Str, Jm08/Om08	1
	7	1040318	(000000-	) Pad, Tank, Hyd [W/Psa]	2
	8	39277	(000000-	) Screw, Hex, M8 X 1.25 X 25, 8.8	2
	9	32491	(000000-	) Washer, Flat, 0.31 Std	2
	10	1023545	(000000-	) Fitting, Hyd, E45, Jm12/Om16	1
	11	31613	(000000-	) Strainer, Hyd, 25gpm 100mesh Psi	1
	12	71726	(000000-	) Fitting, Hyd, E45, Jm20/Om20	1
	13	1021579	(000000-	) Filter Assy [Pt4 936498]	1
	14	55455	(000000-	) Fitting, Hyd, E90, Jm04/Pm02	1
	15	58592	(000000-	) Send-Unit, Water, Temp, 04npt 113oh/195d	1
	16	40362	(000000-	) Fitting, Hyd, Plug, Om10	1
	17	1025132	(000000-	) Indicator, Press, 60psi	1
	18	1034878	(000000-	) Insulation, Thermal, Hydraulic Blanket	1
	19	46482	(000000-	) Fitting, Hyd, Plug, Om06 (Cylindrical Scrub Head)	1
	20	55685	(000000-	) Fitting, Hyd, Str, Jm04/Om06 (Disk Scrub Head)	1

**Fig. 56 - Hydraulic Valves Group**

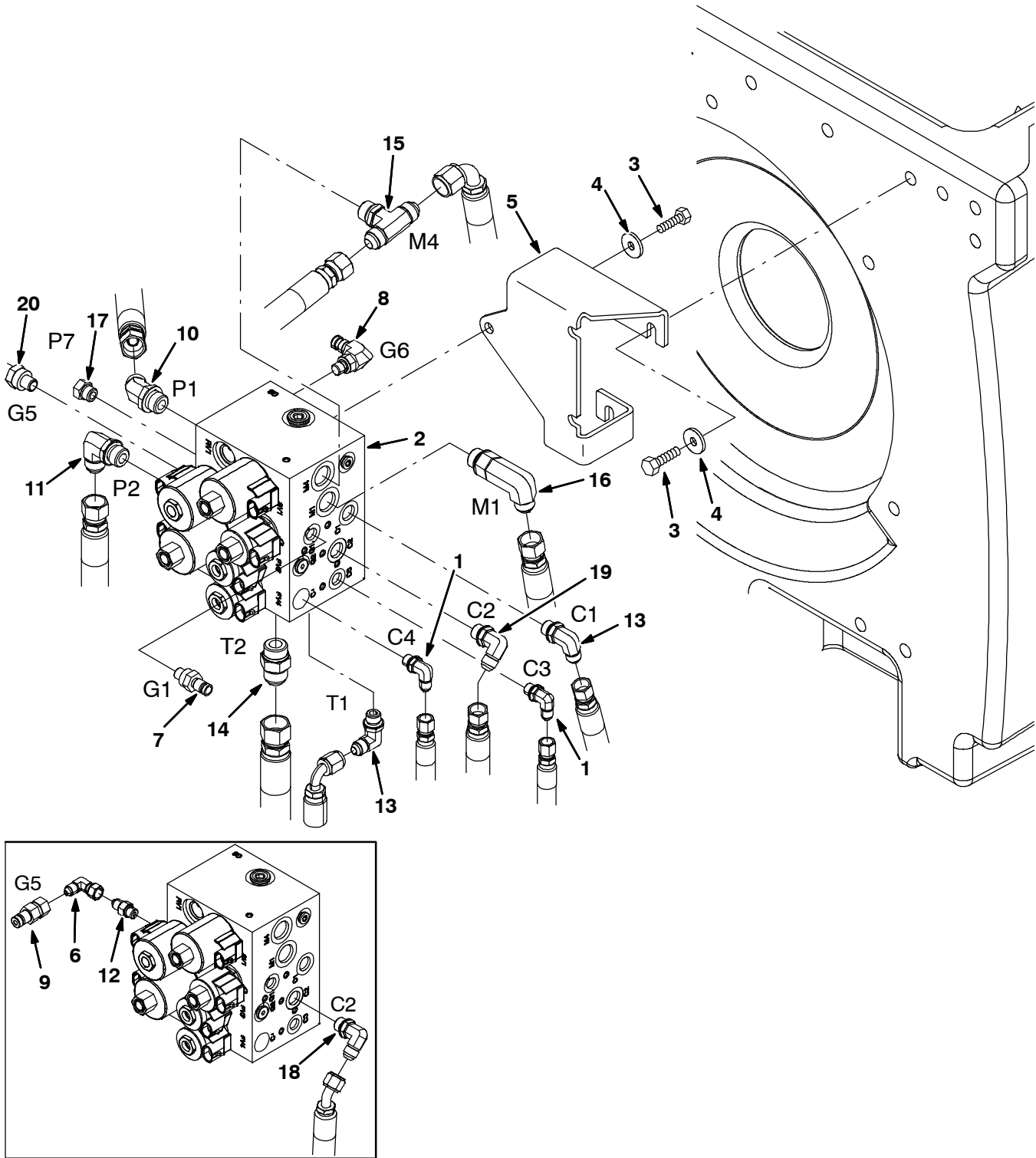
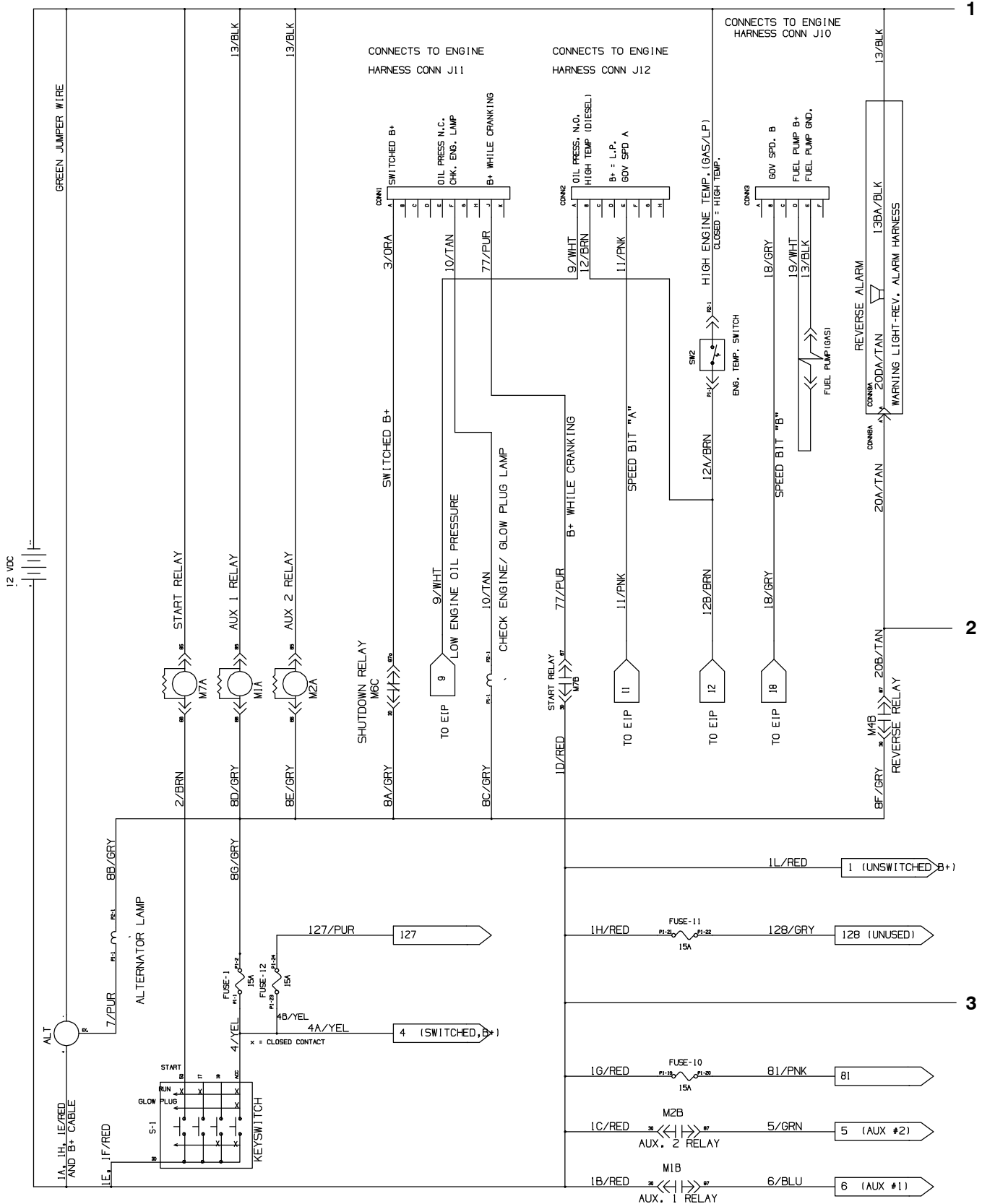




Fig. 56 - Hydraulic Valves Group

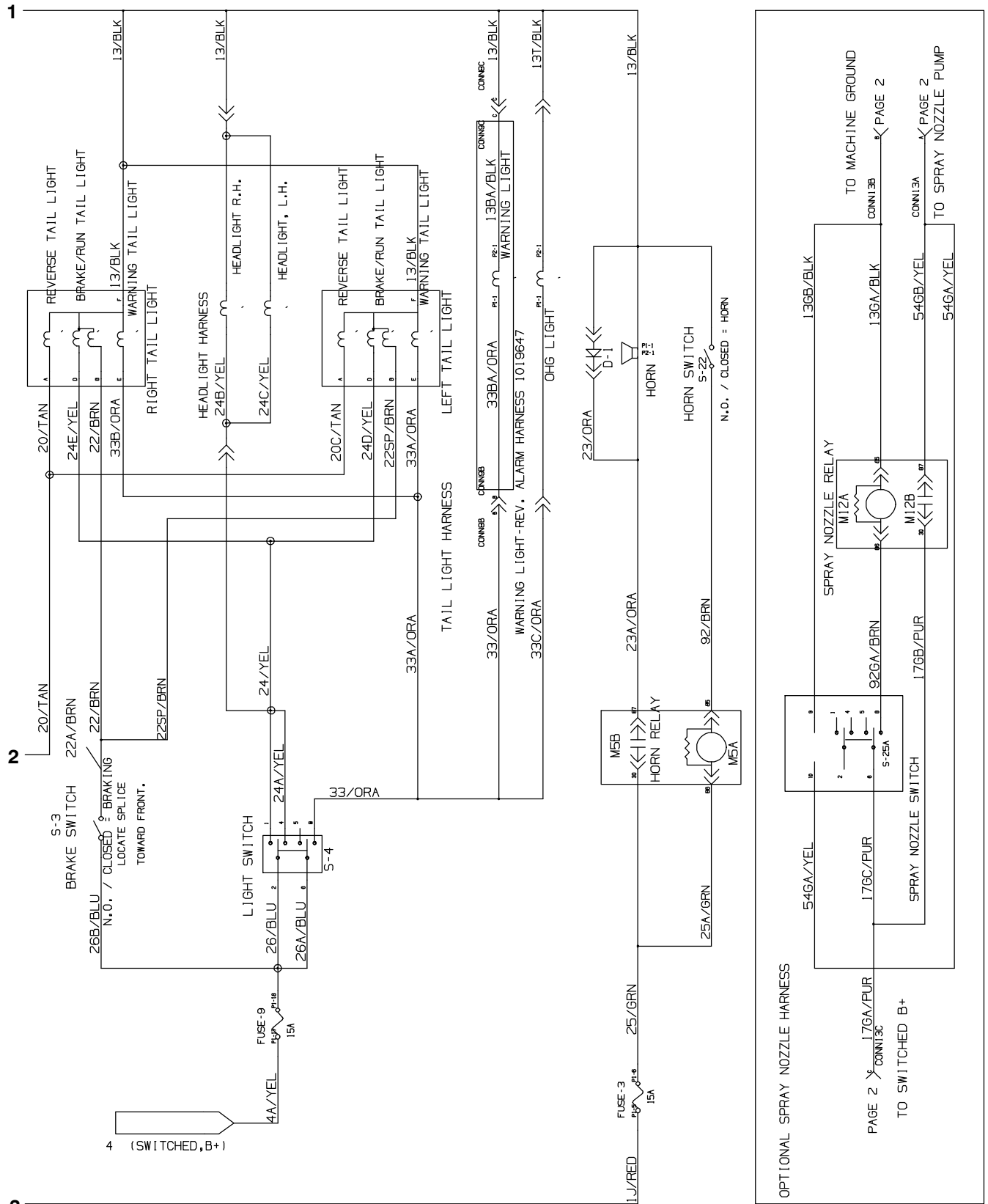
Ref.	Part No.	Serial Number	Description	Qty.
1	77097	(000000-	) Fitting, Hyd, E90, Jm04/Om04	2
2	1020394	(000000-	) Valve, Cntrl, Hyd (See Breakdowns)	1
3	09740	(000000-	) Screw, Hex, M8 X 1.25 X 20, Ss	6
4	1017218	(000000-	) Washer, Flat, 0.32b 1.00d .12, Ss	6
5	1021991	(000000-	) Bracket, Mtg, Valve, Hyd, Scb	1
6	39210	(000000-001018	) Fitting, Hyd, E90, Jf04/Jm04	1
7	395973	(000000-	) Fitting, Hyd, Str, Om04/Qm04	1
8	395974	(000000-	) Fitting, Hyd, E90, Om04/Qm04	1
9	396476	(000000-001018	) Fitting, Hyd, Str, Jf04/Qm04	1
10	42226	(000000-	) Fitting, Hyd, E45, Jm08/Om08	1
11	44868	(000000-	) Fitting, Hyd, E90, Jm08/Om08	1
12	55586	(000000-001018	) Fitting, Hyd, Str, Jm04/Om04	1
13	56820	(000000-	) Fitting, Hyd, E90, Jm06/Om06	2
14	46480	(000000-	) Fitting, Hyd, Str, Jm10/Om10	1
15	49933	(000000-	) Fitting, Hyd, Tee, Jm08/Jm08/Om08, Br	1
16	69173	(000000-	) Fitting, Hyd, E90, Jm08/Om08, L	1
17	46482	(000000-	) Fitting, Hyd, Plug, Om06	1
18	56820	(000000-001037	) Fitting, Hyd, E90, Jm06/Om06	1
19	71727	(001038-	) Fitting, Hyd, E90, Jm06/Om06, L	1
20	395973	(001019-	) Fitting, Hyd, Str, Om04/Qm04	1

## Fig. 57 - Electrical Schematic (000000-001742)



1029601

Fig. 57 - Electrical Schematic (00000-001742)



1029601

Fig. 57 - Electrical Schematic (000000-001742)

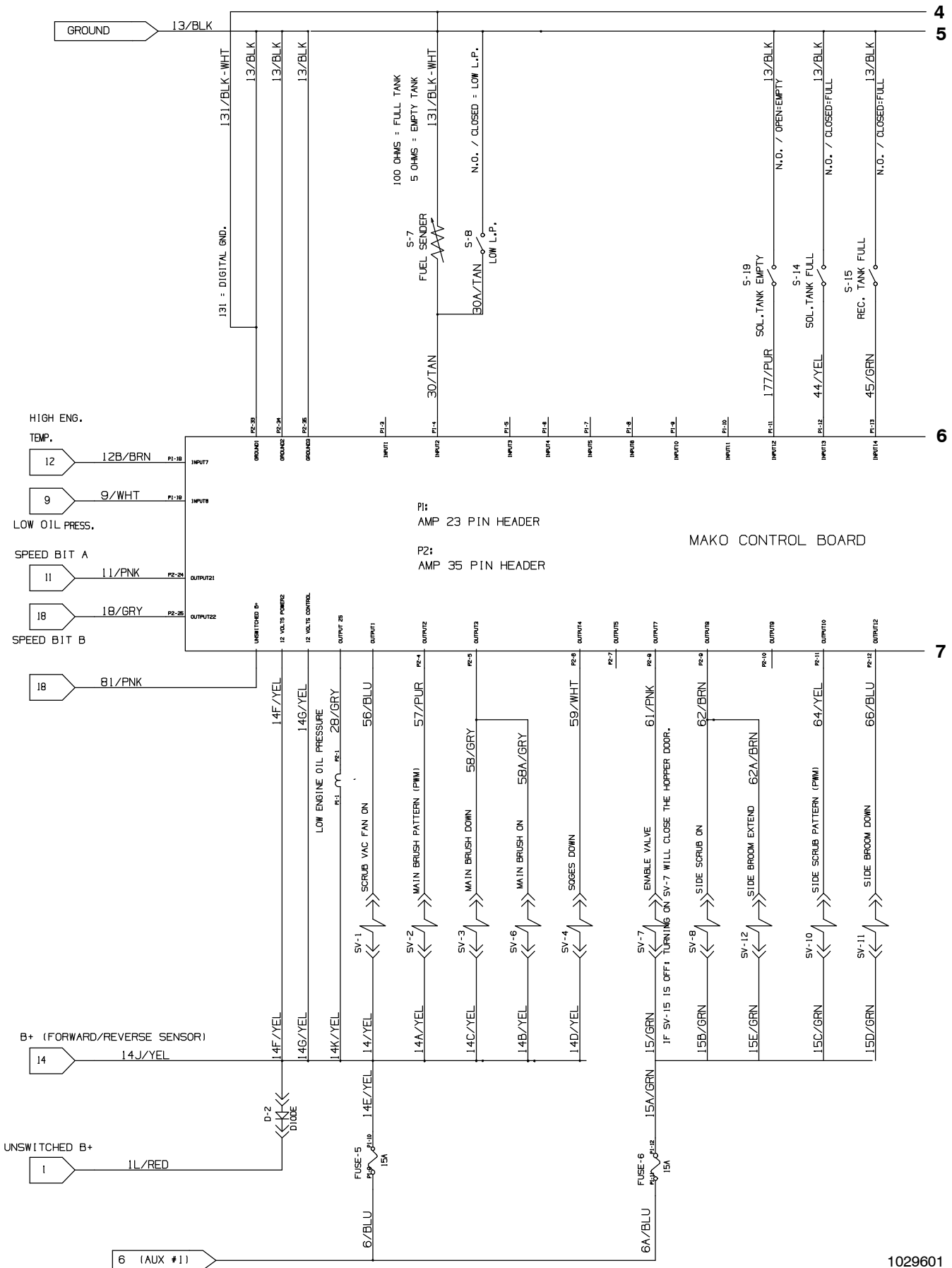
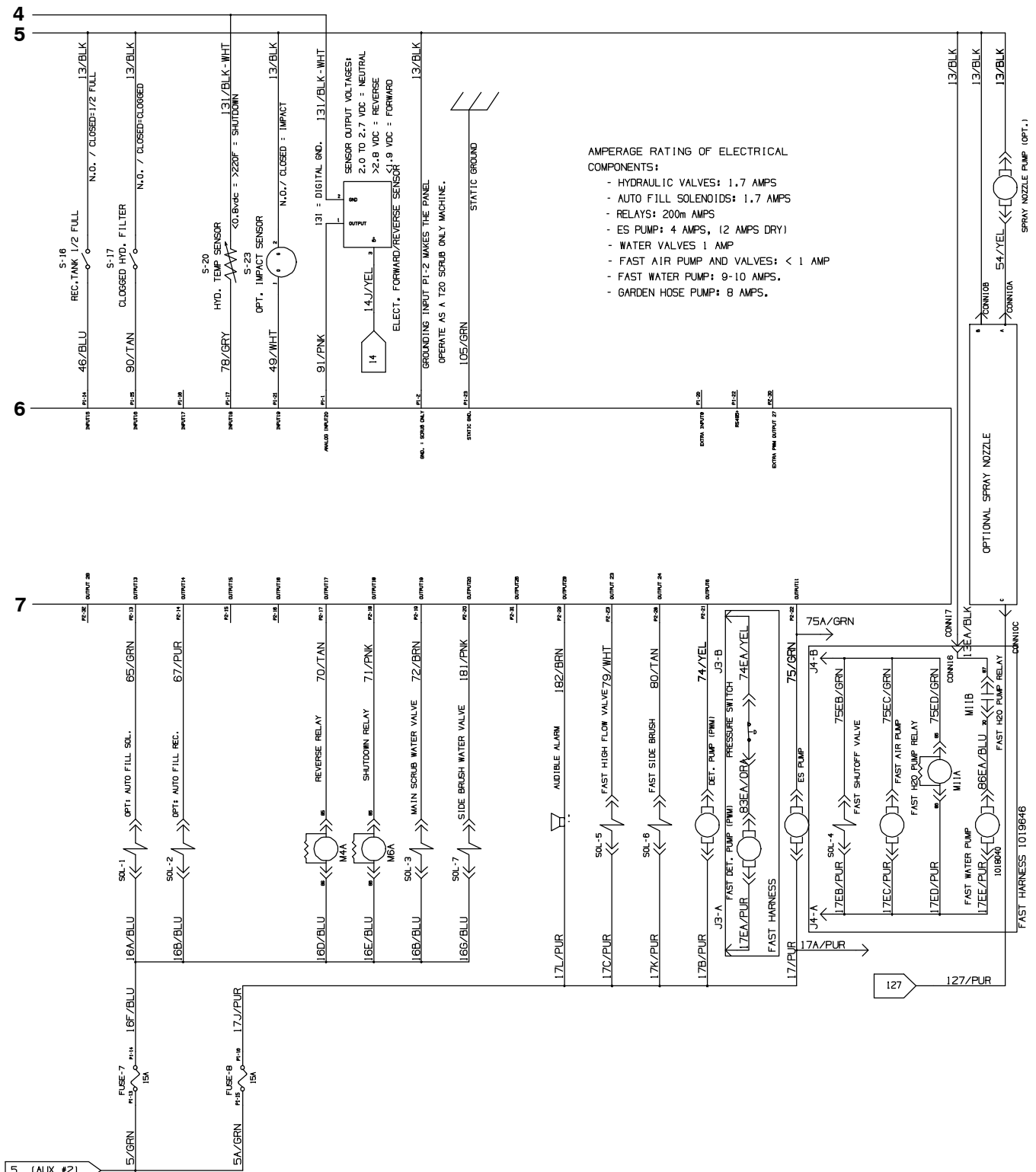
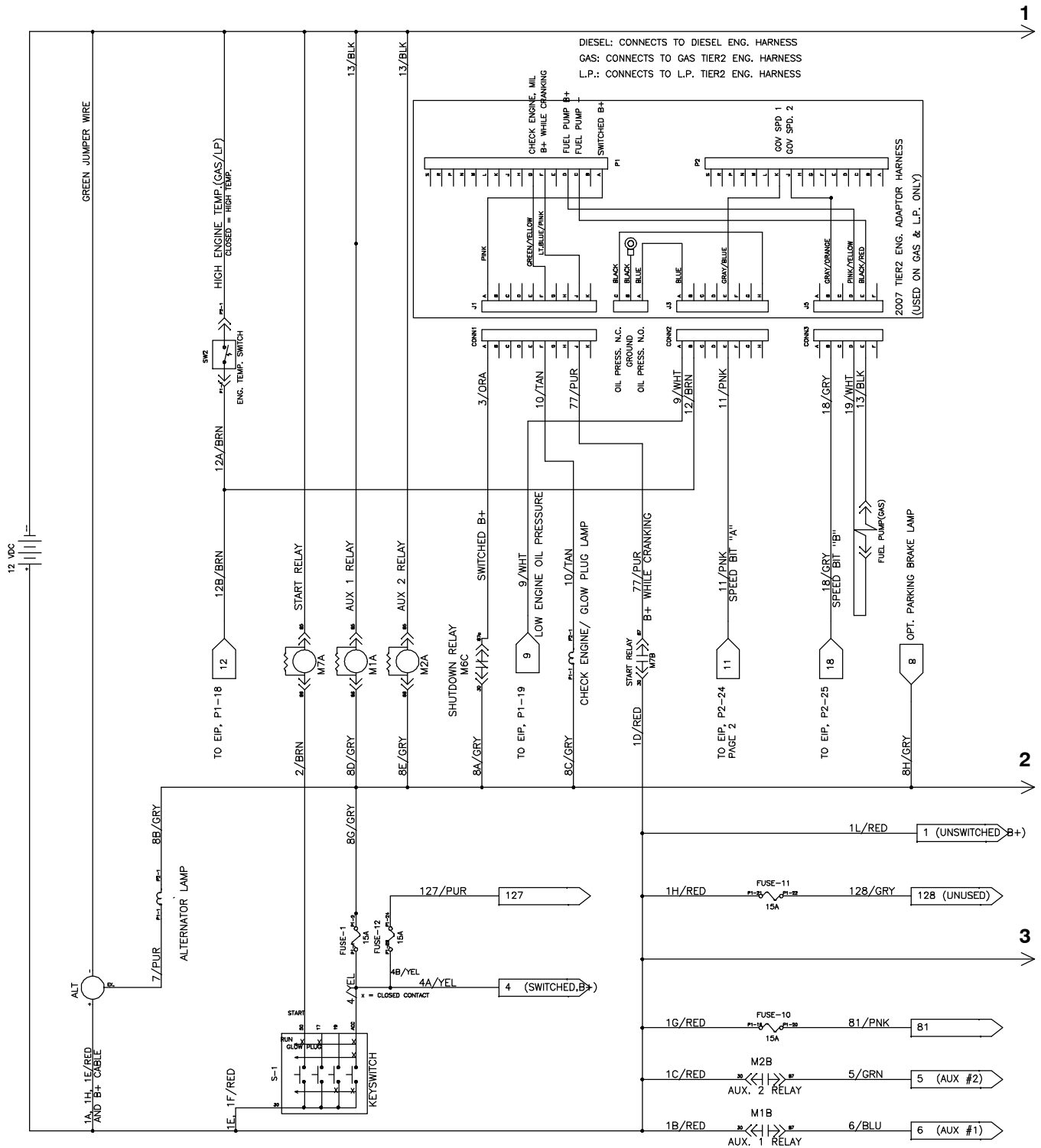


Fig. 57 - Electrical Schematic (000000-001742)

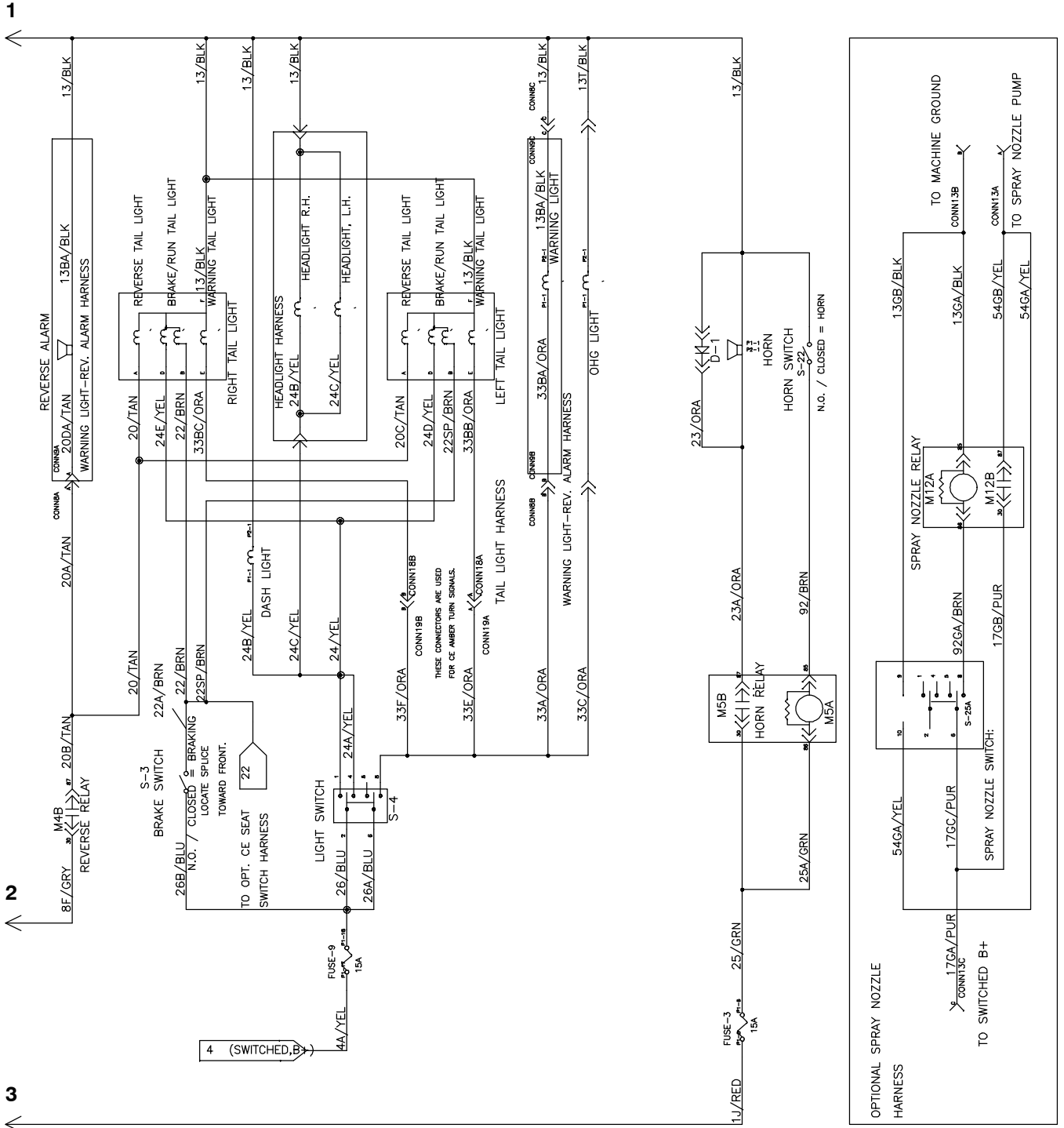


## Fig. 58 - Electrical Schematic (001743- )



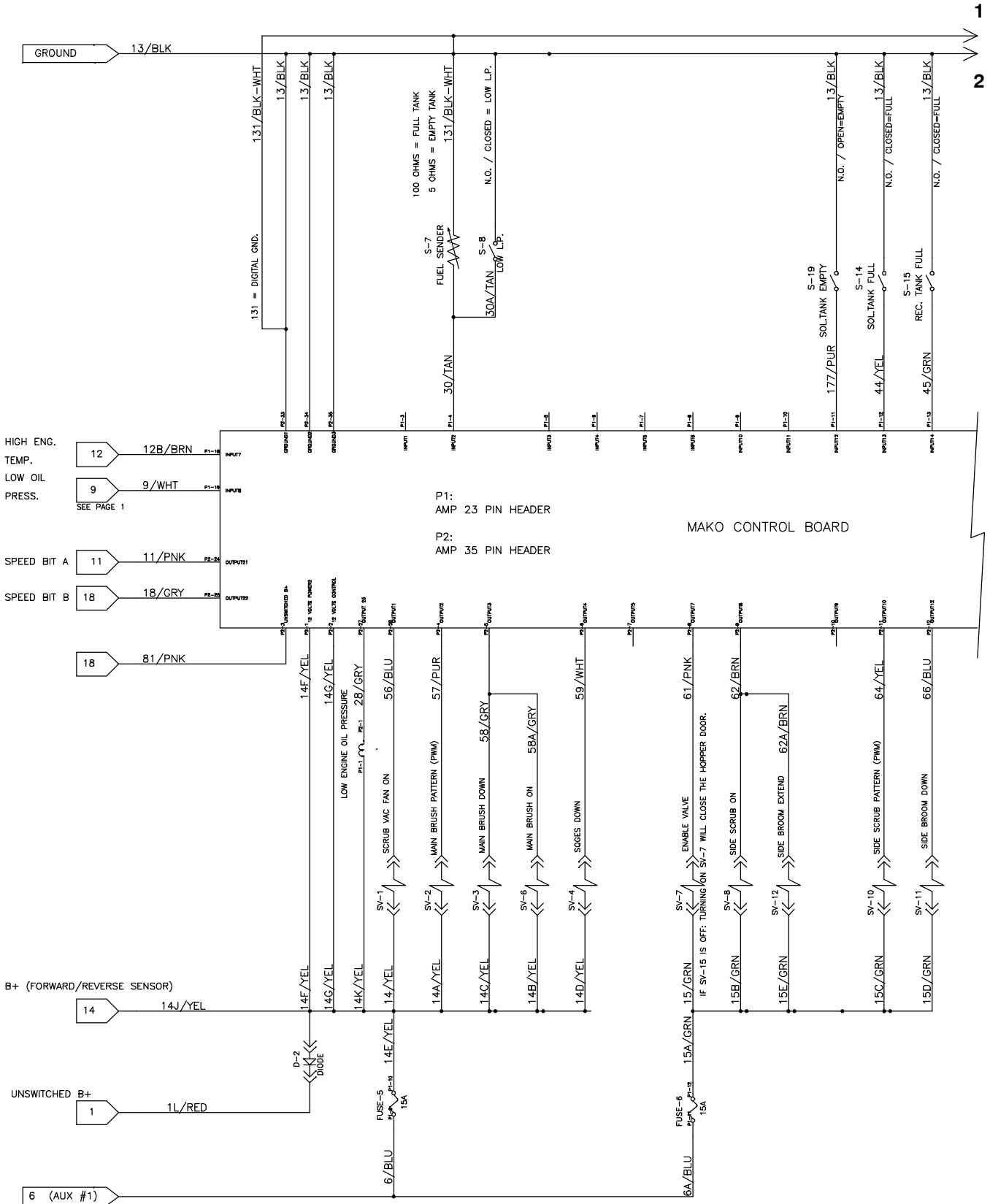
354405 - 1029601

Fig. 58 - Electrical Schematic (001743- )



354405 - 1029601

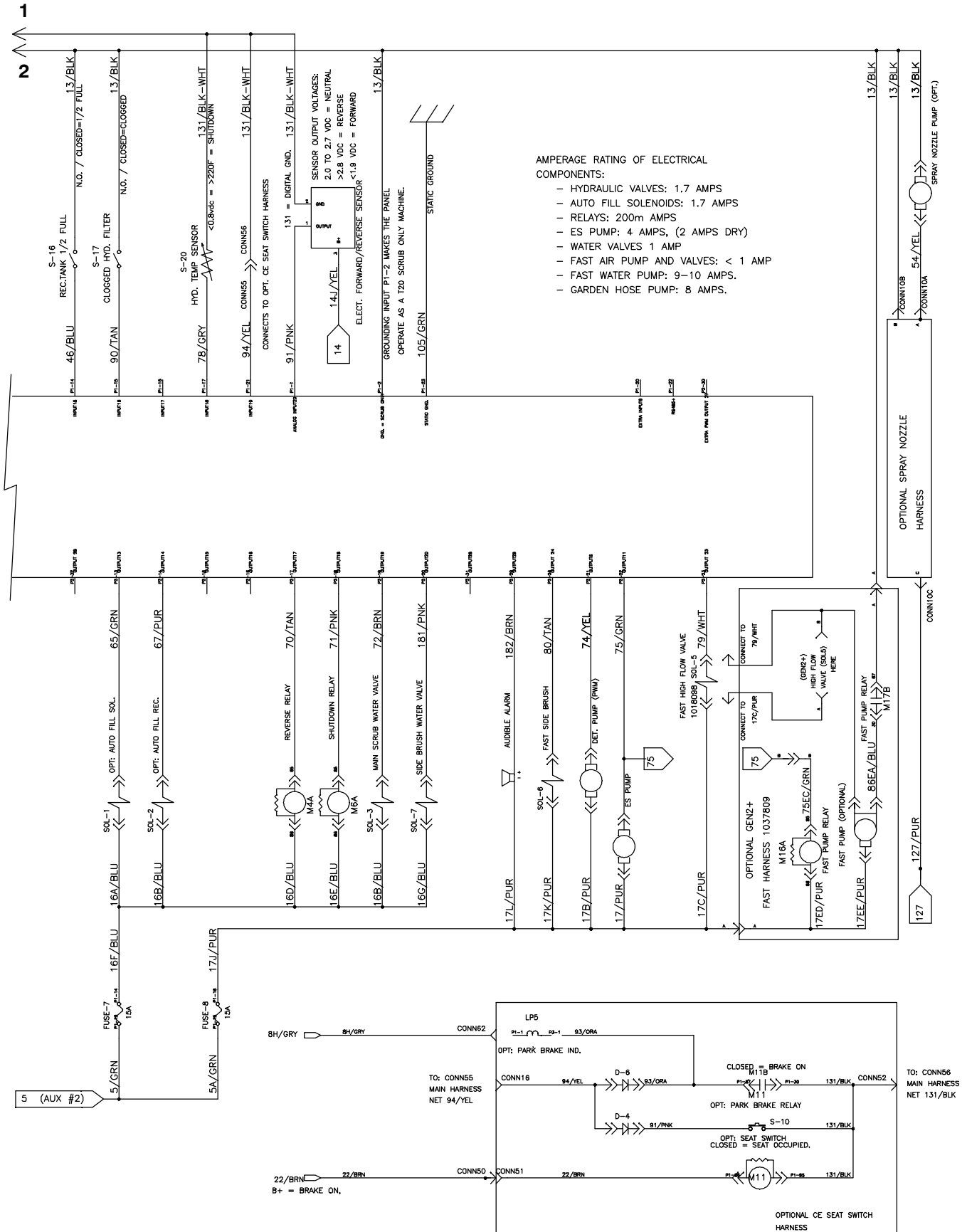
Fig. 58 - Electrical Schematic (001743- )



354405 - 1029601

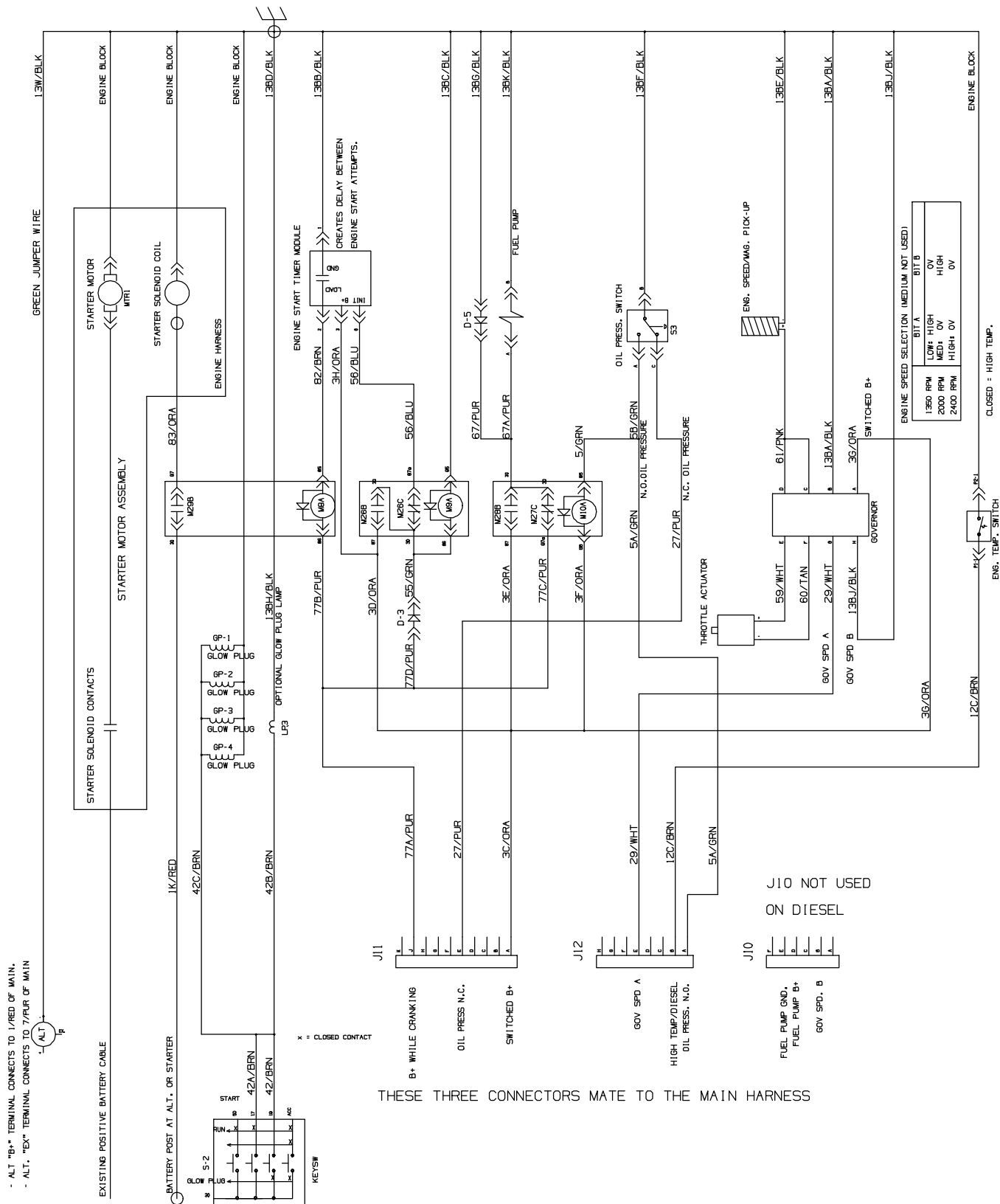


Fig. 58 - Electrical Schematic (001743- )



354405 - 1029601

## Fig. 59 - Electrical Schematic, Diesel Engine Harness





## Fig. 60 - Electrical Wire Harness Group

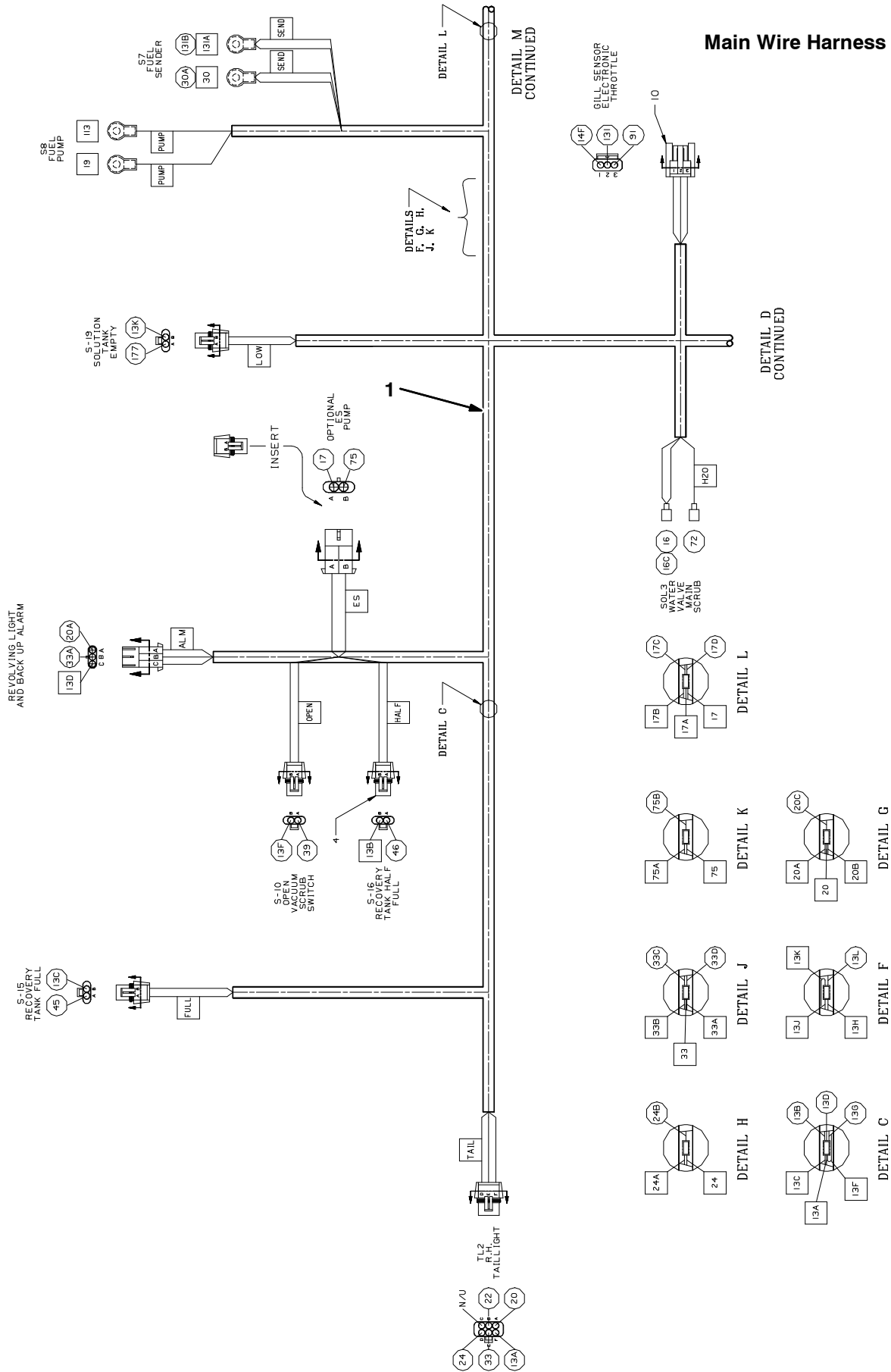


Fig. 60 - Electrical Wire Harness Group

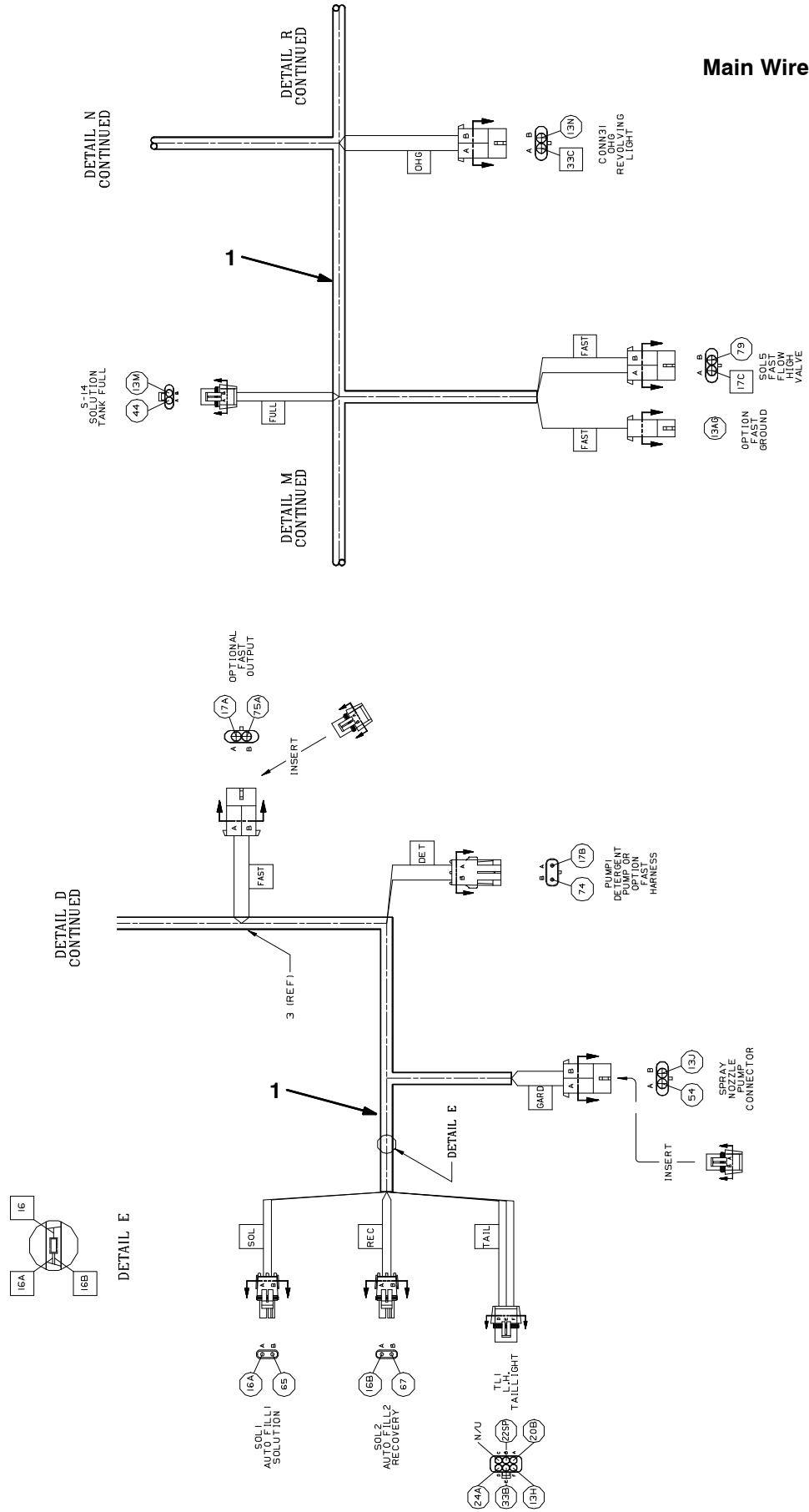


Fig. 60 - Electrical Wire Harnesses Group

Main Wire Harness

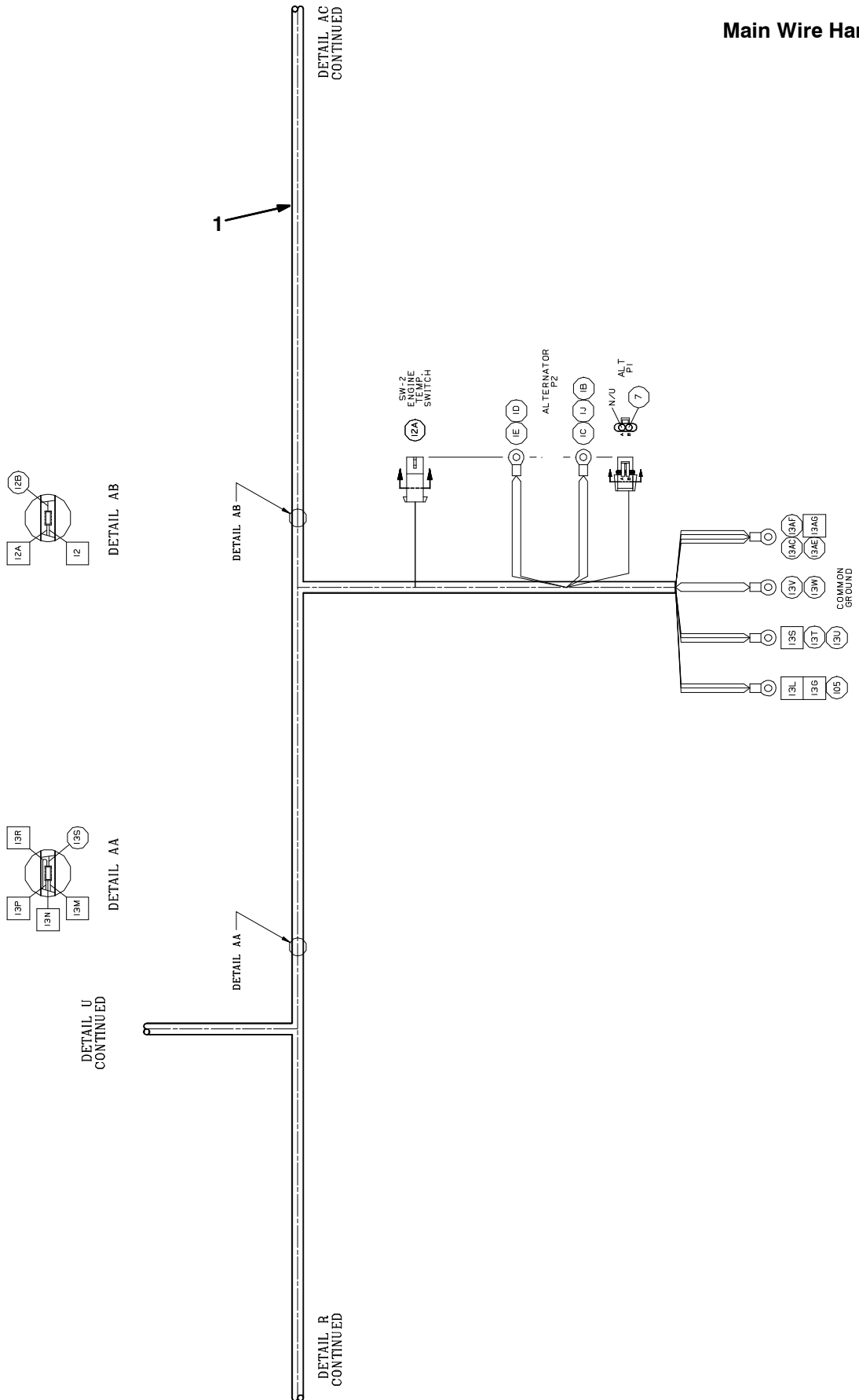


Fig. 60 - Electrical Wire Harnesses Group

Main Wire Harness

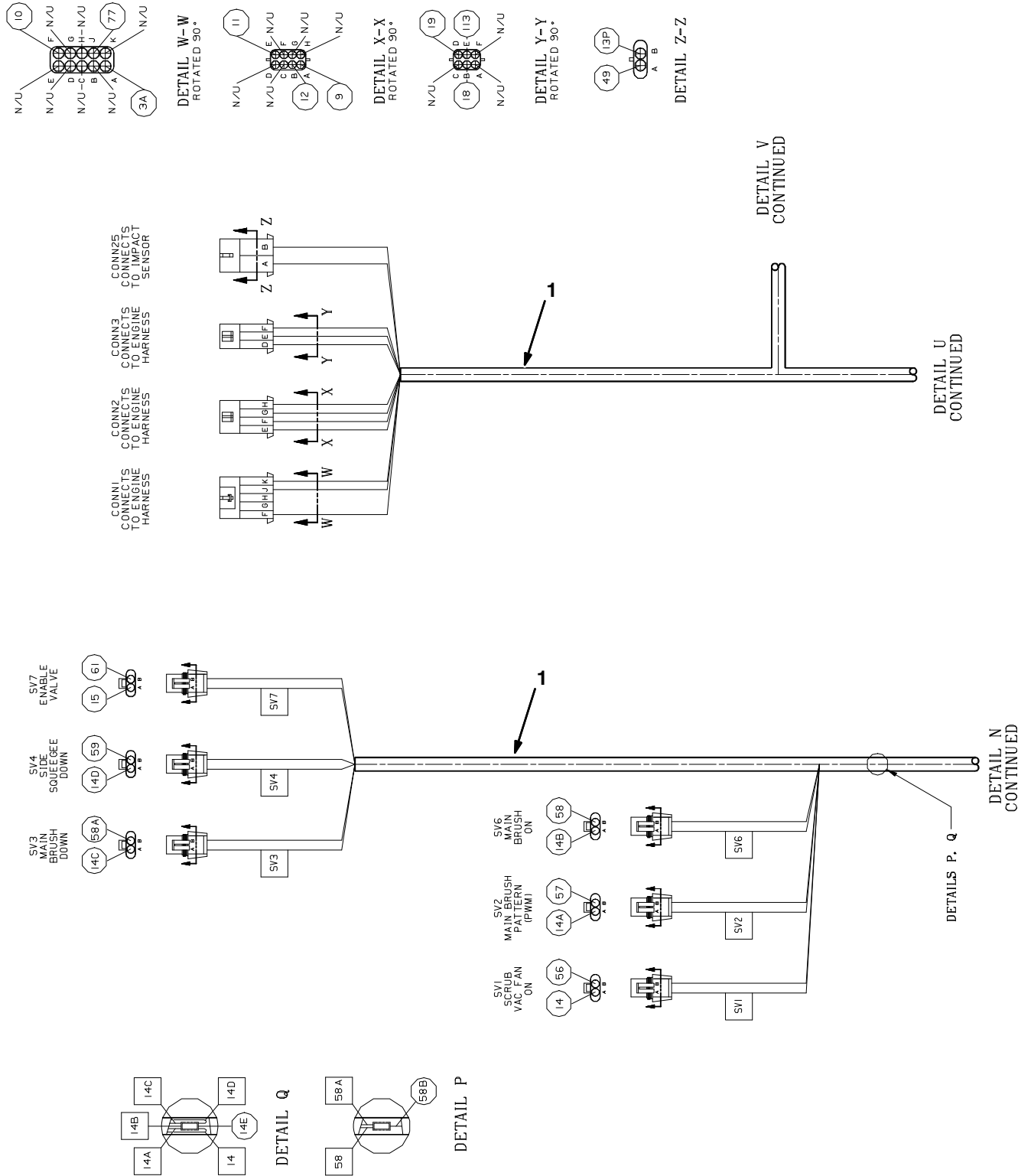


Fig. 60 - Electrical Wire Harness Group

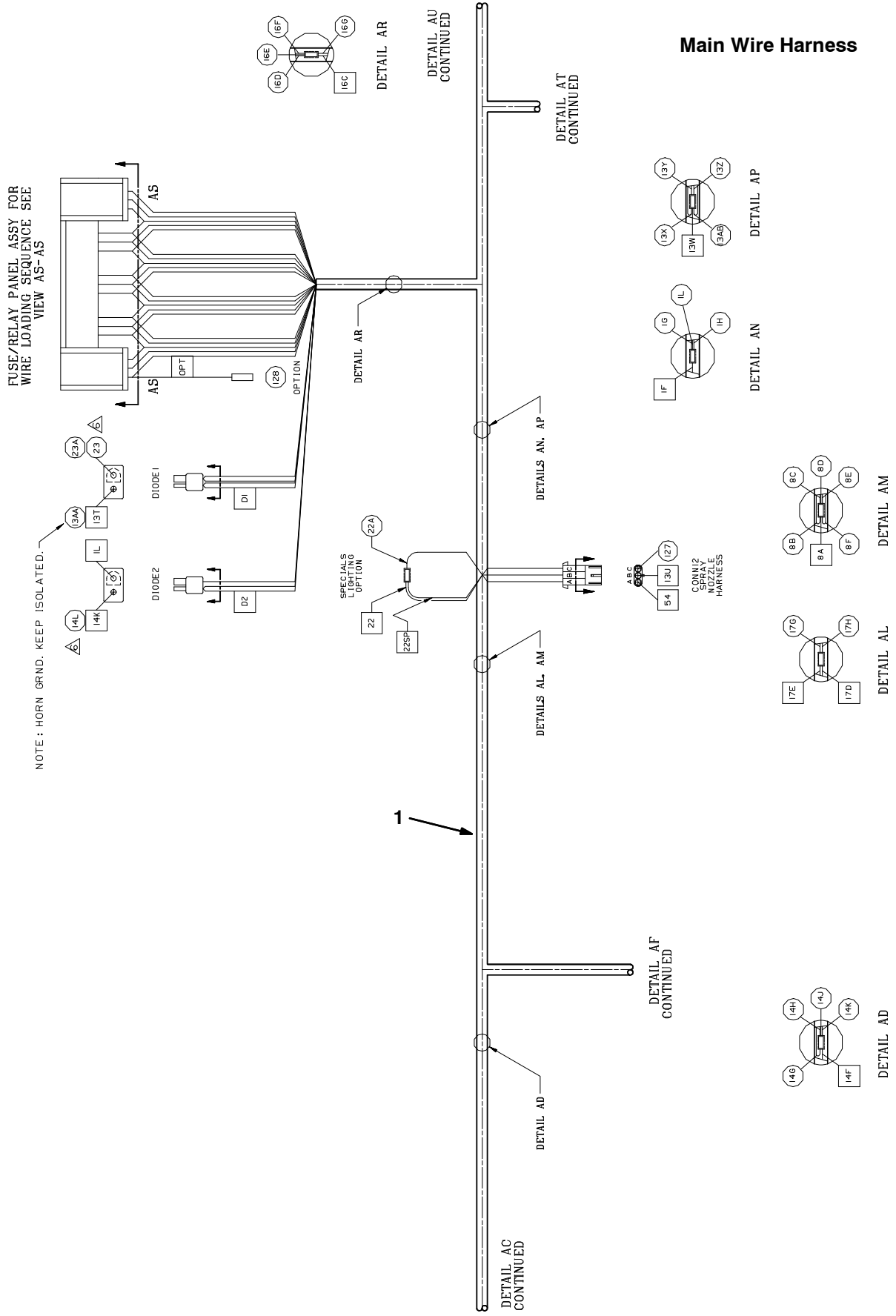




Fig. 60 - Electrical Wire Harnesses Group

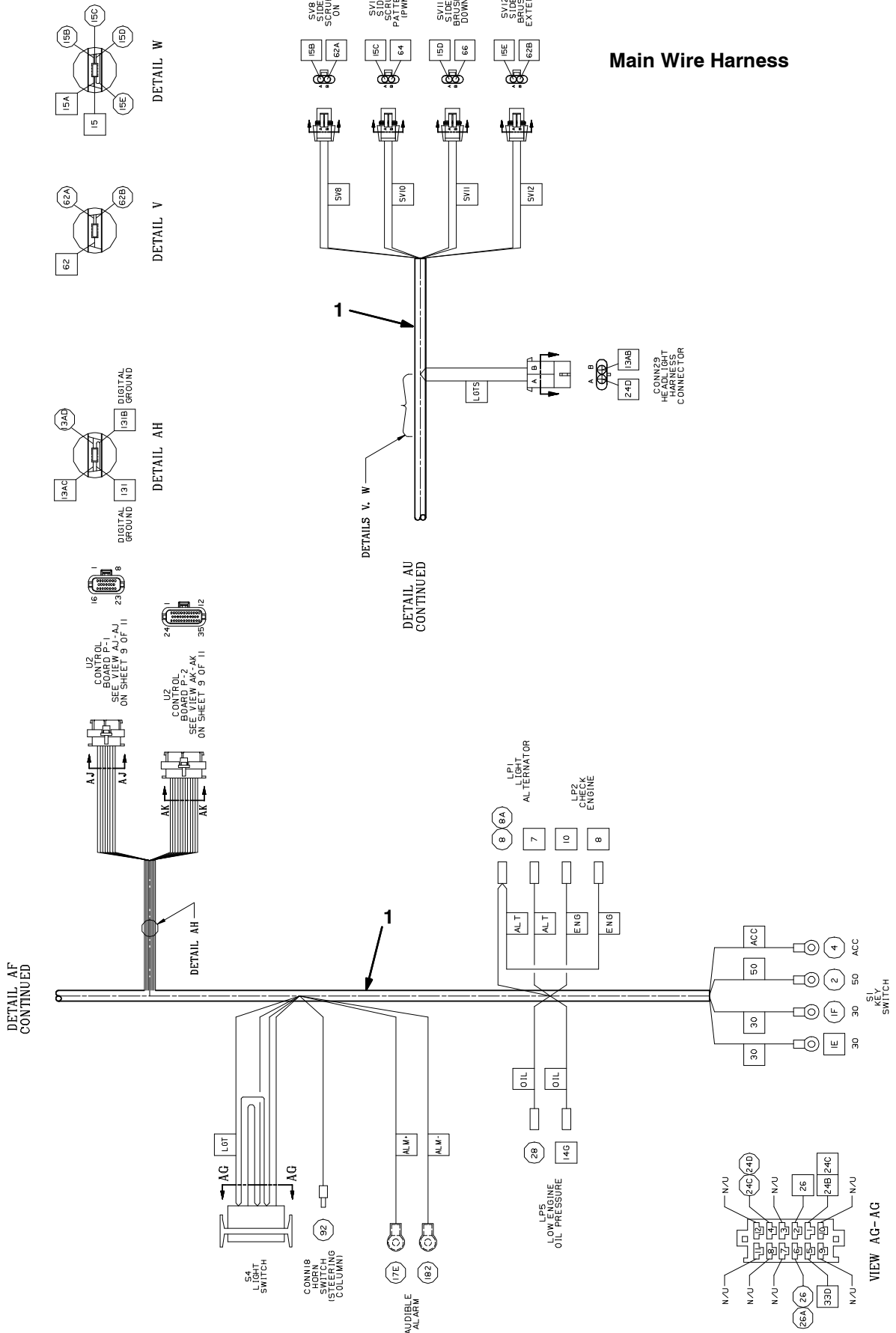
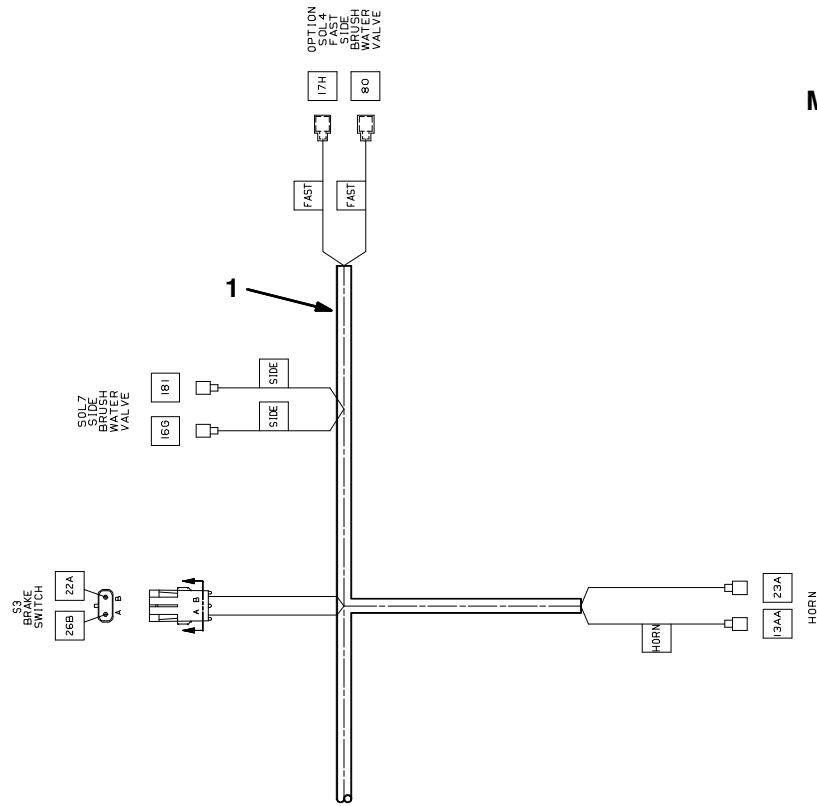


Fig. 60 - Electrical Wire Harness Group

Main Wire Harness



DETAIL AT ROTATED 90° CONTINUED

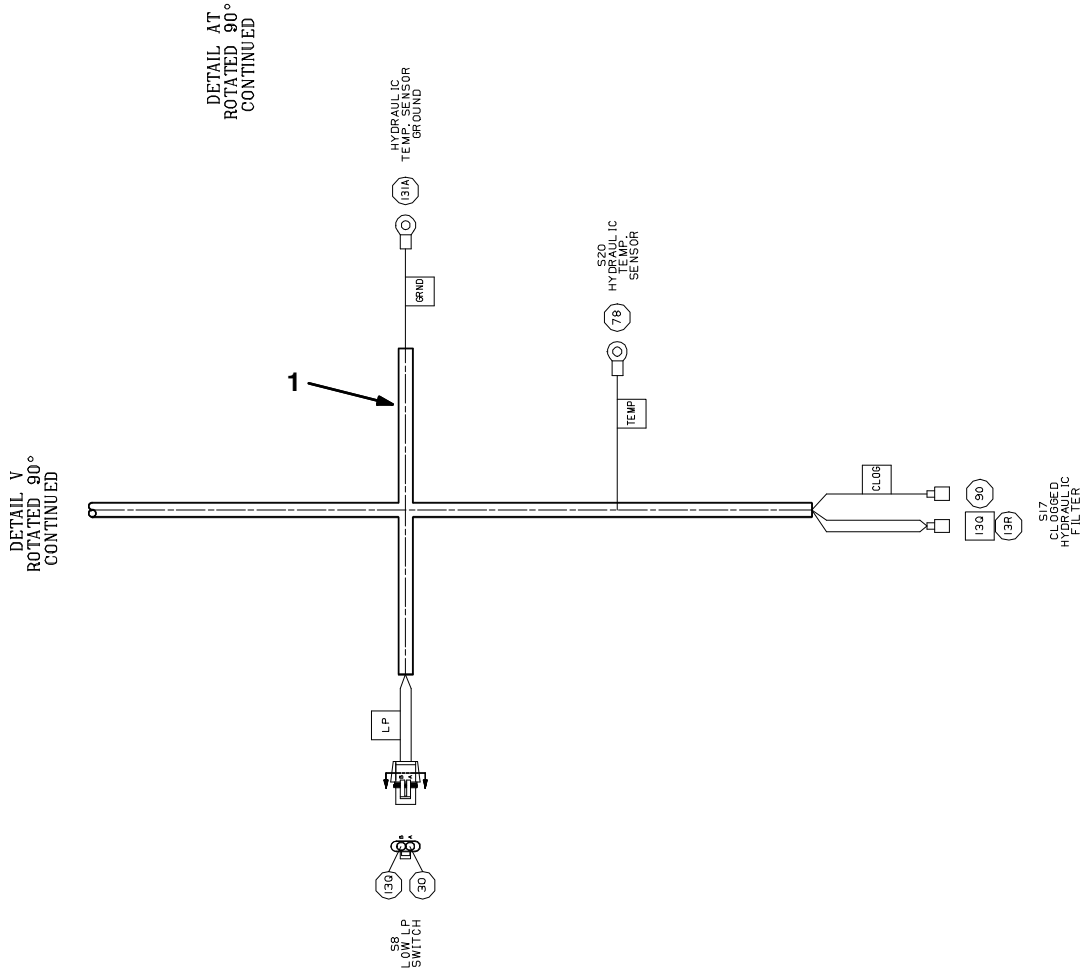
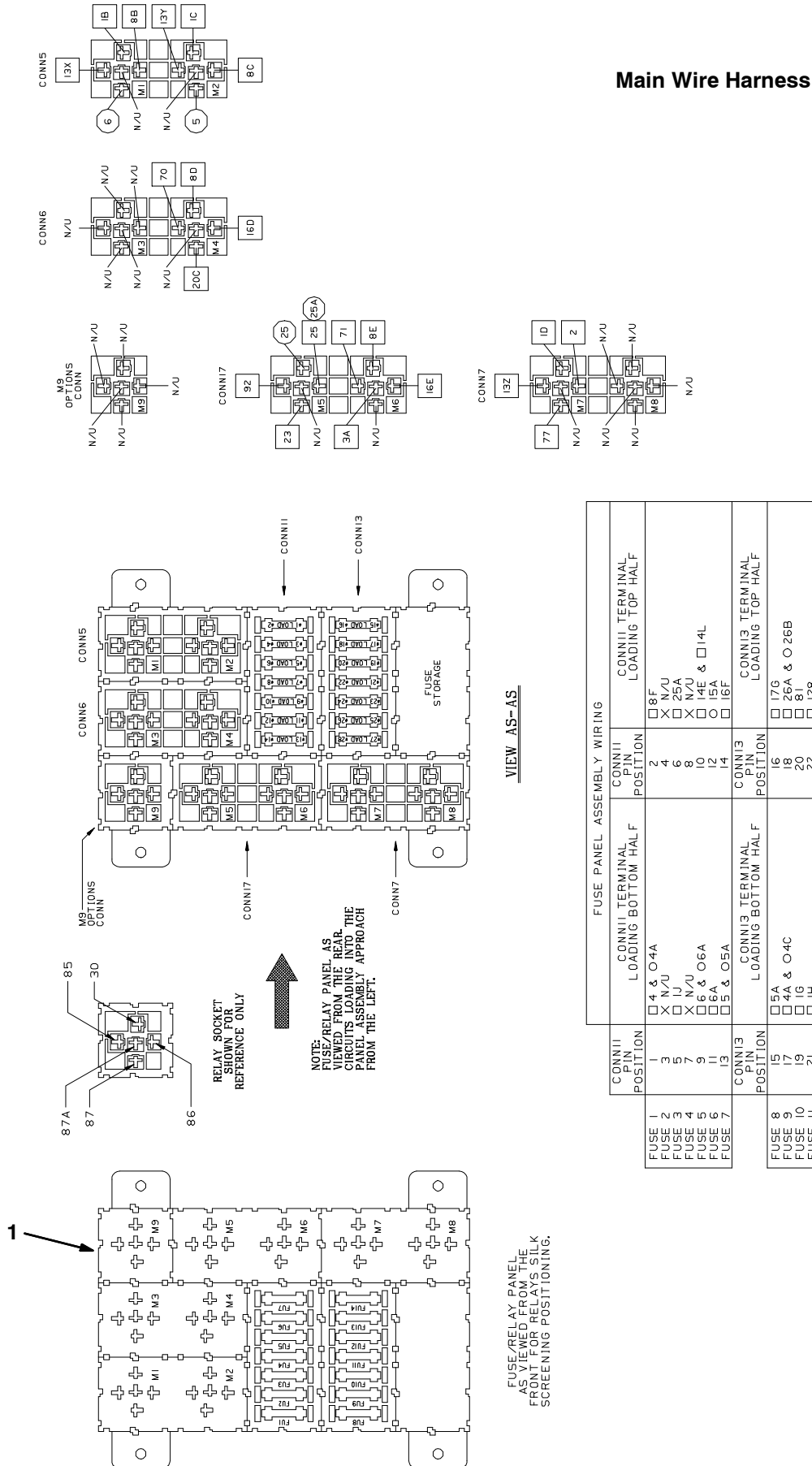


Fig. 60 - Electrical Wire Harnesses Group



Main Wire Harness

VIEW AS-AS

FUSE PANEL ASSEMBLY WIRING			
CONN11 PIN POSITION	CONN11 TERMINAL LOADING BOTTOM HALF	CONN11 PIN POSITION	CONN11 TERMINAL LOADING TOP HALF
FUSE 1	4 & O4A	2	8F
FUSE 2	X N/U	4	X 25A
FUSE 3	X U	6	X N/U
FUSE 4	X N/U	8	X 14E & 14L
FUSE 5	6 & O6A	10	15A
FUSE 6	6A	12	16F
FUSE 7	15 & O5A	14	
CONN13 PIN POSITION	CONN13 TERMINAL LOADING BOTTOM HALF	CONN13 PIN POSITION	CONN13 TERMINAL LOADING TOP HALF
FUSE 8	5A & O4C	16	17G
FUSE 9	4A & O4C	18	26A & O26B
FUSE 10	19	20	28
FUSE 11	4C	22	127
FUSE 12	X N/U	24	X N/U
FUSE 13	X N/U	26	X N/U
FUSE 14	X N/U	28	X N/U

Fig. 60 - Electrical Wire Harnesses Group

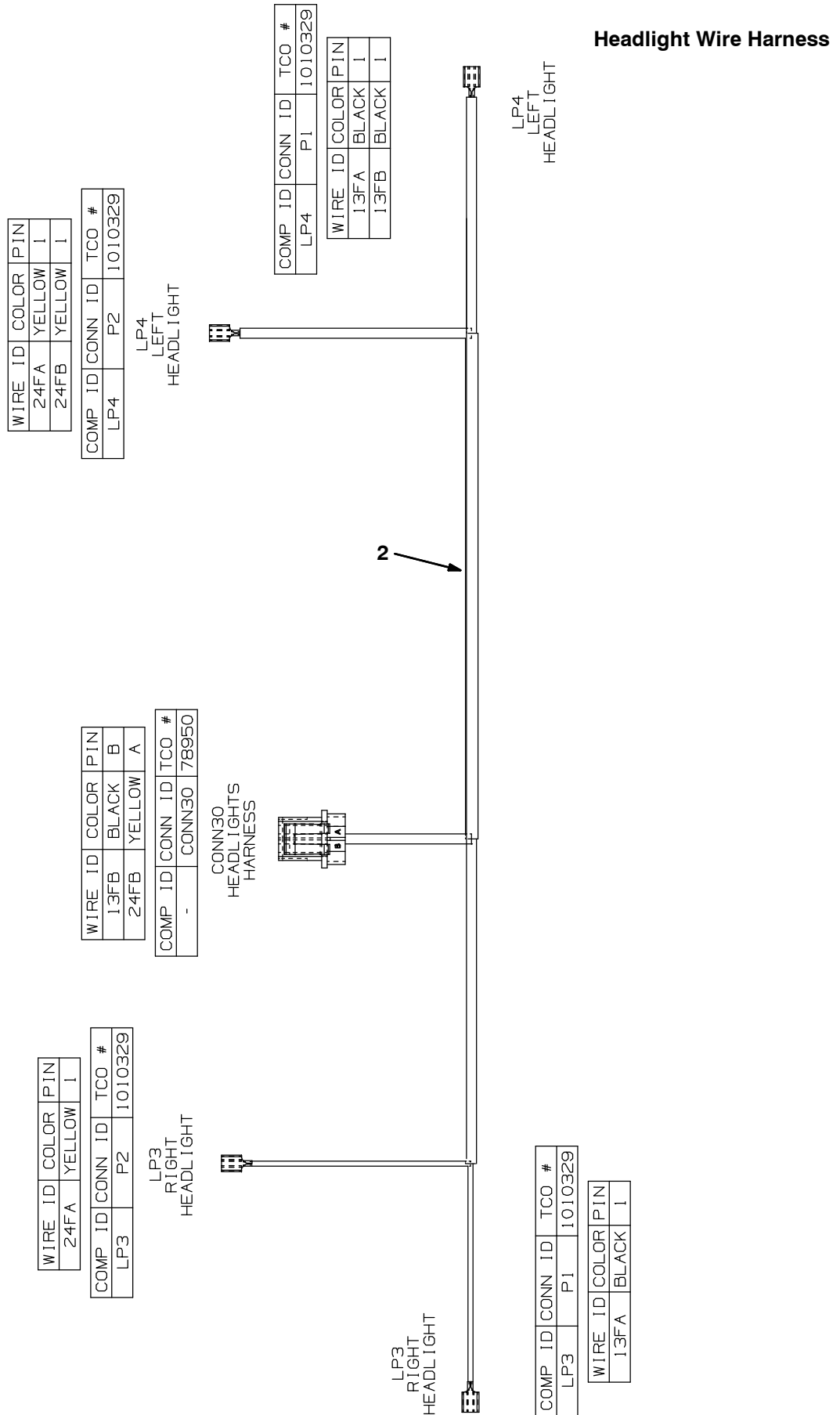


Fig. 60 - Electrical Wire Harness Group

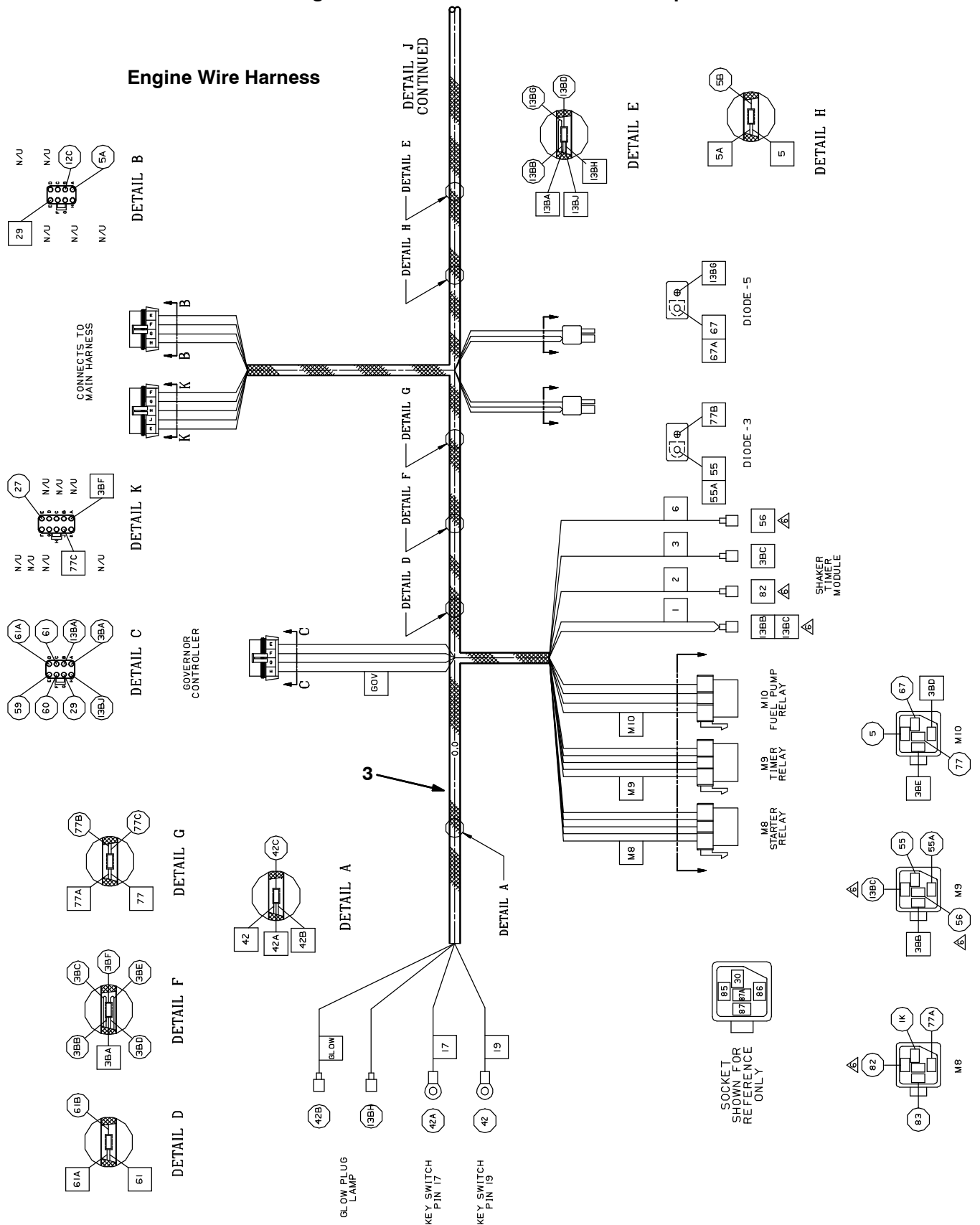


Fig. 60 - Electrical Wire Harnesses Group

Engine Wire Harness

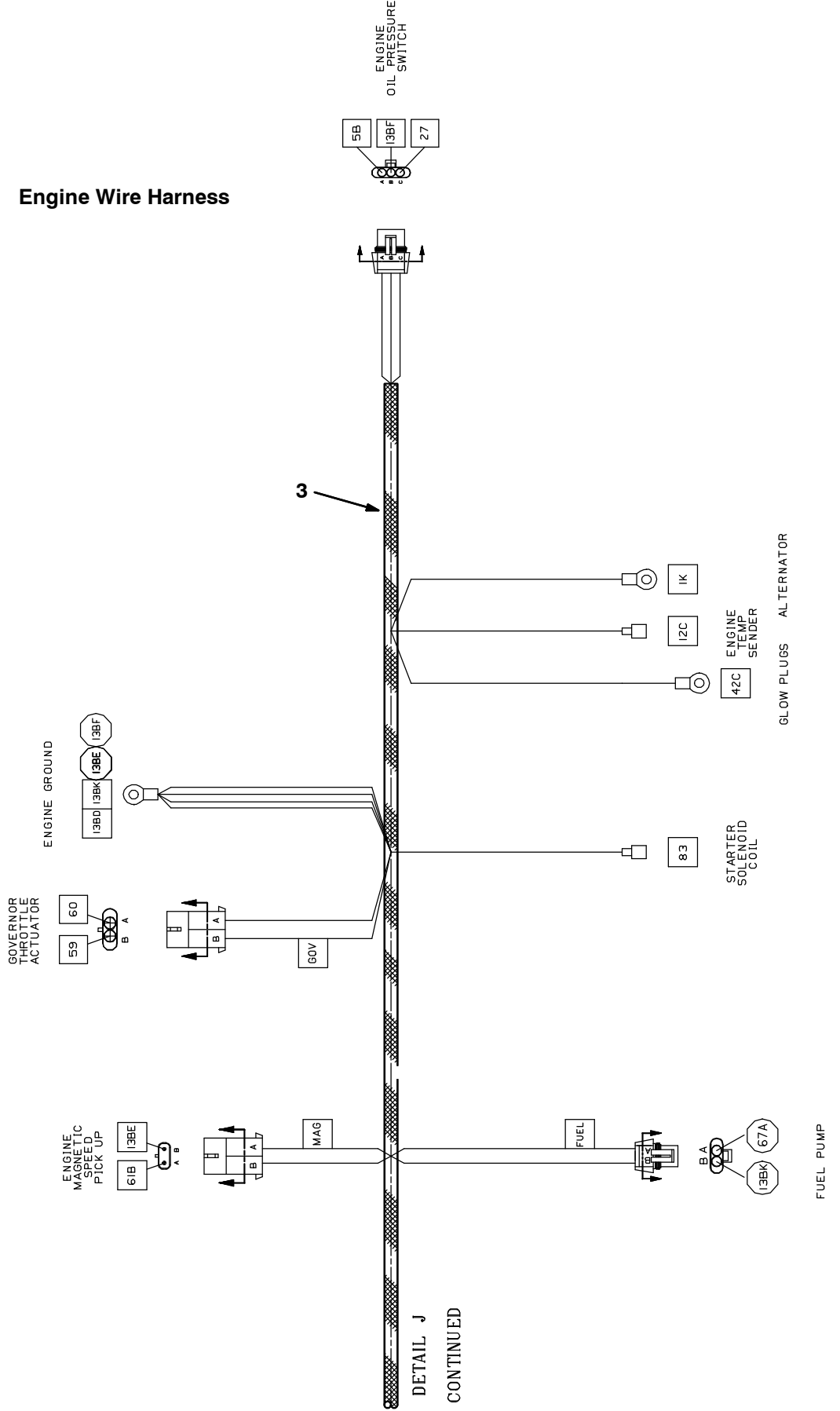


Fig. 60 - Electrical Wire Harnesses Group

Ref.	Part No.	Serial Number	Description	Qty.
1	391957	(000000-	) Harness, Main [T20]	1
2	1024141	(000000-	) Harness, Headlight [M20 And T20]	1
3	391969	(000000-	) Harness, Engine, Dsl [M20 T20]	1

Fig. 61 - Label Group

**1** (Warning: Machine emits toxic gases, Serious injury or death can result. Provide adequate ventilation. / La machine produit des gaz toxiques. Cas gaz peuvent provoquer des blessures ou la mort. Veillez à ce que l'endroit soit bien aéré. / La máquina emite gases tóxicos. Pueden provocar lesiones graves o fatales. Asegúrese de que existe suficiente ventilación.)

**2** (Warning: Strong vacuum. Keep away from fan inlet when fan is running. / Potente aspiración. Manténgase alejado de la entrada del ventilador cuando esté funcionando.)

**3** (ES logo)

**4** (FaST Foam Scrubbing Technology logo)

**5** (NFSI CERTIFIED logo)

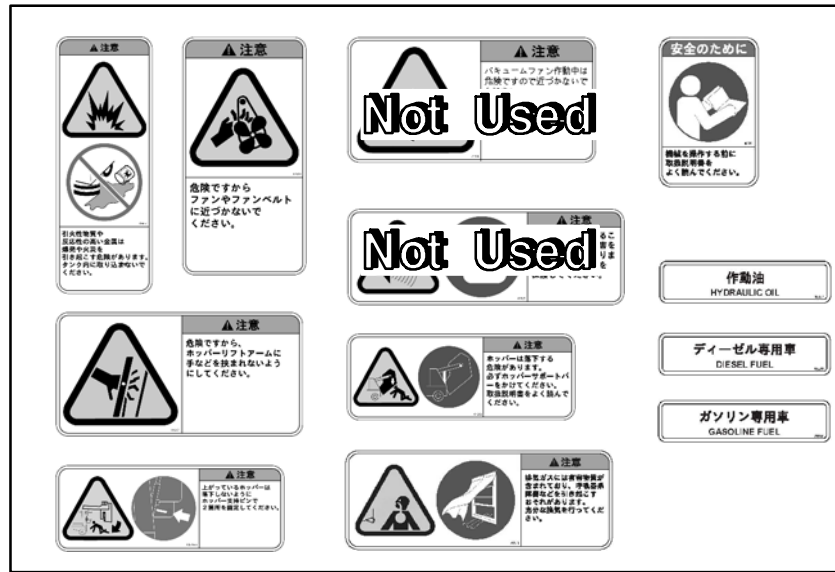
**6** (Diagram of the machine's hopper and support pin assembly)

**Other labels include:**

- Flammable materials can cause explosion or fire. Do not use flammable tank.
- Raised hopper may fall. Engage hopper support pin.
- En position relevée, le bac à déchets peut retomber. Engagez la broche du support de bac à déchets.
- La caja colectorá elevada puede caer. Coloque el pasador de apoyo de la caja colectorá.
- Flammable materials or reactive metals can cause explosion or fire. Do not pick up.
- Les matériaux inflammables ou les métaux réactifs peuvent causer une explosion ou un incendie. Ne les ramassez pas.
- Los materiales inflamables o metales reactivos pueden causar explosiones o incendios. No los recoja.
- Moving belt and fan. Keep away.
- La courroie et le ventilateur sont en mouvement. Ne vous approchez pas.
- Correa y ventilador en movimiento. Manténgase alejado.
- Read manual before operating machine. / POUR VOTRE SECURITE / Lisez le manuel avant d'utiliser la machine. / PARA SEGURIDAD / Lea el manual antes de operar la máquina.
- Read manual before operating machine. / POUR VOTRE SECURITE / Lisez le manuel avant d'utiliser la machine. / PARA SEGURIDAD / Lea el manual antes de operar la máquina.
- Point of placement of the arm elevator. / Attention au point d'articulation du bras d'élevateur. / No se acerque a los brazos elevadores de la caja colectorá.
- Point of placement of the arm elevator. / Attention au point d'articulation du bras d'élevateur. / No se acerque a los brazos elevadores de la caja colectorá.
- Burn hazard, Hot surface. Do NOT touch. / Risque de brûlures. Surface chaude. Ne pas toucher. / Peligro de quemaduras. Superficie caliente. NO tocar.
- 火傷のおそれあり。表面が熱くなっています。さわらないでください。



Fig. 61 - Label Group



T20 - D

Ref.	Part No.	Serial Number	Description	Qty.
1	77221	(000000-	) Label Set, Info/Hzrd, Swpr / Scrbr	1
2	1017141	(000000-	) Label Set, Hi Temp	1
3	1027353	(000000-	) Label, Off-White, Es (Option)	3
4	1027372	(000000-	) Label, Off-White [Fast] (Option)	3
5	1015012	(000000-	) Label [Nfsi Certification]	1
6	1031017	(000000-	) Label Set, Brush Indicator & Removal	1
7	1032450	(000000-	) Label Set, Info/Hzrd, Swpr / Scrbr, Tj (Japan Only)	1



# SECTION 3

Contents	Page
Fig. 1 - ES Pump Group	3-2
Fig. 2 - ES Tanks Group	3-4
Fig. 3 - Side Brush Motor Group	3-6
Fig. 4 - Side Brush Lift Group	3-8
Fig. 5 - Side Brush Solution Control Group	3-10
Fig. 6 - Side Brush Hydraulic Valve Group	3-12
Fig. 7 - Side Brush Hydraulic Hose Group	3-14
Fig. 8 - Fast Solution Pump Group (000000-001742)	3-16
Fig. 9 - Fast Air Pump and Detergent Group (000000-001742)	3-18
Fig. 10 - Fast Foam Filter Group, Cylindrical Scrub Head (000000-001742)	3-20
Fig. 11 - Fast Foam Filter Group, Cylindrical Scrub Head with Side Brush (000000-001742)	3-22
Fig. 12 - Fast Foam Filter Group, Disk Scrub Head (000000-001742)	3-24
Fig. 13 - Fast Foam Filter Group, Disk Scrub Head with Side Brush (000000-001742)	3-26
Fig. 14 - Fast Wire Harness Group (000000-001742)	3-28
Fig. 15 - FaST Pumps and Detergent Group (001743- )	3-30
Fig. 16 - FaST Solution Supply Group, Cylindrical Scrub Head (001743- )	3-32
Fig. 17 - FaST Solution Supply Group with Side Brush, Cylindrical Scrub Head (001743- )	3-34
Fig. 18 - FaST Solution Supply Group, Disk Scrub Head (001743- )	3-36
Fig. 19 - FaST Solution Supply Group with Side Brush, Disk Scrub Head (001743- )	3-38
Fig. 20 - Fast Wire Harness Group (001743- )	3-40

Contents	Page
Fig. 21 - Backup Alarm Kit	3-41
Fig. 22 - Light Kit, Flashing	3-42
Fig. 23 - Light Kit, Revolving	3-44
Fig. 24 - Light Kit, Flashing Overhead Guard	3-46
Fig. 25 - Light Kit, Revolving Overhead Guard	3-47
Fig. 26 - Overhead Guard Kit	3-48
Fig. 27 - Vacuum Wand Kit	3-50
Fig. 28 - Power Wand Hose Assembly	3-52
Fig. 29 - Power Wand Assembly	3-54
Fig. 30 - Power Wand Pump and Mount Group	3-56
Fig. 31 - Power Wand Pump and Mount Group with Spray Nozzle	3-58
Fig. 32 - Spray Nozzle Kit	3-60
Fig. 33 - Spray Nozzle Kit with Power Wand	3-62
Fig. 34 - Transport Group	3-64
Fig. 35 - Squeegee Guard Kit	3-66
Fig. 36 - Heavy Duty Bumper Kit	3-68
Fig. 37 - Fire Extinguisher Kit	3-69
Fig. 38 - Documentation Group	3-70

Fig. 1 - ES Pump Group

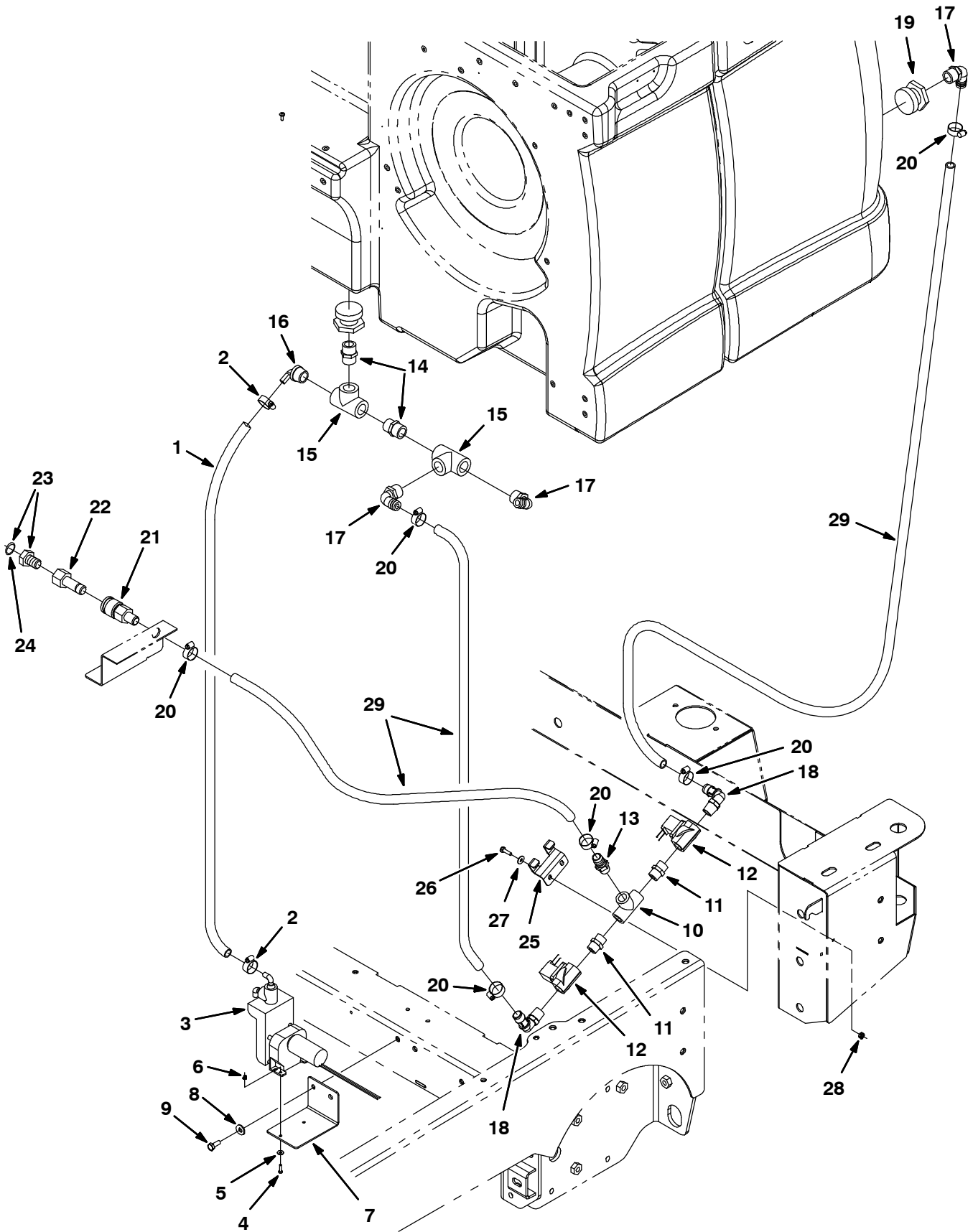
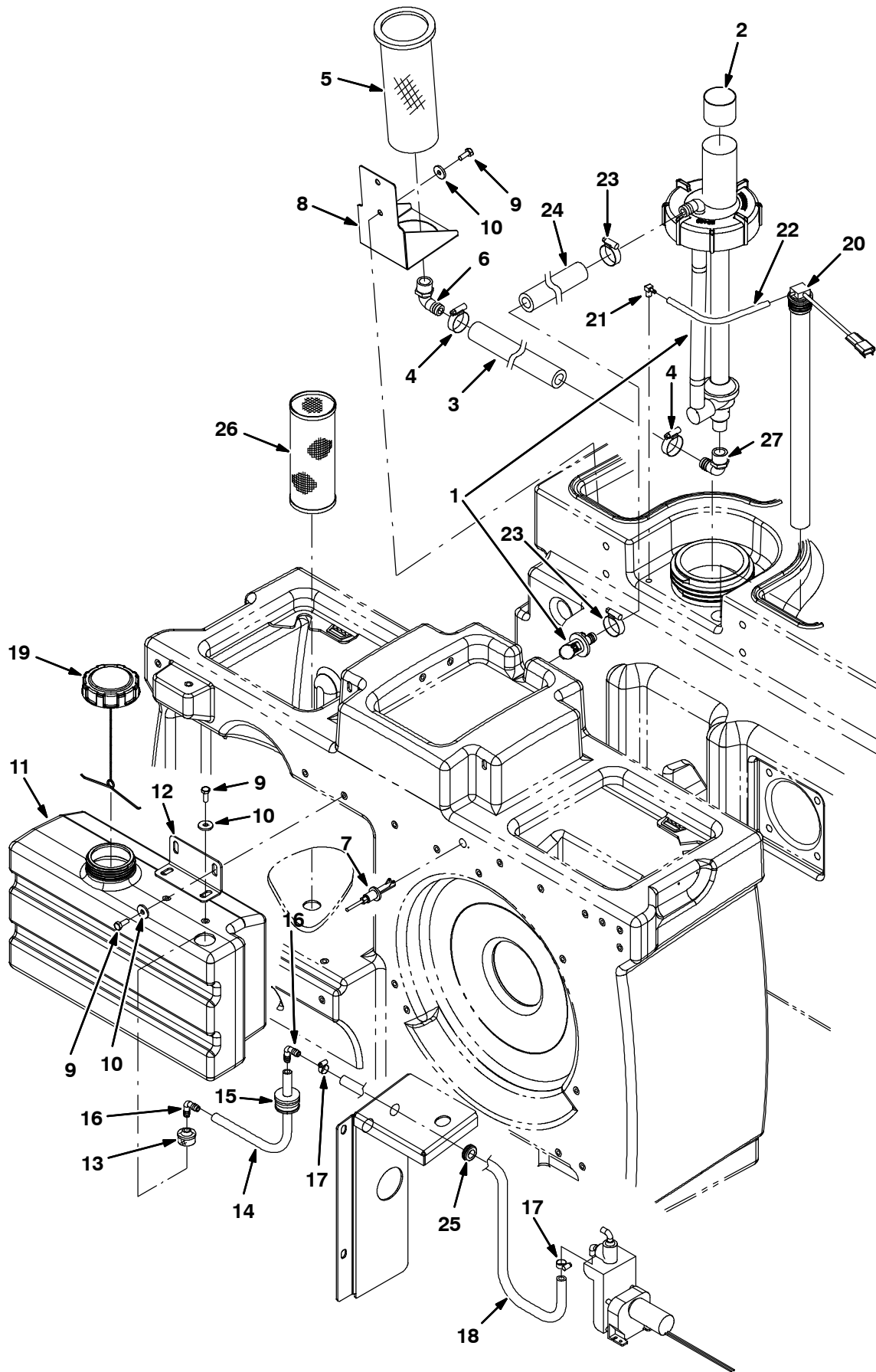


Fig. 1 - ES Pump Group

Ref.	Part No.	Serial Number	Description	Qty.	
1	41295	(000000-	) Hose, Pvc, Clr, 0.38id 0.56od 48.00l	1	
2	43844	(000000-	) Clamp, Hose, Wormdrive, 0.25-0.62d, .31w	2	
3	73260	(000000-	) Pump, Detgt, 14vdc, 150ml/Min 20psi (See Breakdown)	1	
4	24265	(000000-	) Screw, Pan, M4 X 0.7 X 16, Ss	2	
5	01683	(000000-	) Washer, Flat, #10, Ss	2	
6	33932	(000000-	) Nut, Hex, Lock, M4 X 0.7, NI, Ss	2	
7	1021325	(000000-	) Bracket, Mtg, Valve	1	
8	01685	(000000-	) Washer, Flat, 0.31, Ss	2	
9	09740	(000000-	) Screw, Hex, M8 X 1.25 X 20, Ss	2	
10	79497	(000000-	) Fitting, Plstc, Tee, Pf08/Pf08/Pf08	1	
11	86508	(000000-	) Fitting, Plstc, Str, Pm08/Pm08	2	
12	73433	(000000-	) Valve, Water, Solenoid, 12vdc 0.08pf	2	
13	78398	(000000-	) Fitting, Plstc, Str, Bm12/Pm08, Nyl	1	
14	24544	(000000-	) Fitting, Plstc, Str, Pm12/Pm12 1.60l	2	
15	42133A	(000000-	) Fitting, Plstc, Tee, Pf12/Pf12/Pf12	2	
16	79484	(000000-	) Fitting, Plstc, E90, Bm06/Pm12, Nyl	1	
17	14877	(000000-	) Fitting, Plstc, E90, Bm12/Pm12	3	
18	63244-2	(000000-	) Fitting, Plstc, E90, Bm12/Pm08	2	
19	377349	(000000-	) Fitting, Plstc, Pf12/Pf12, Bh	1	
20	63810	(000000-	) Clamp, Hose, Wormdrive, 0.56-1.06d, .56w	6	
21	24105	(000000-	) Fitting, Brs, Qdc, Bm12/Qf08	1	
22	33295	(000000-	) Fitting, Brs, Qdc, Pf08 [Parker Bh3f]	1	
▽	23	375322	(000000-	) Fitting Kit, Hose, Garden	1
▲	24	01316	(000000-	) Washer, Flat, 0.66b 1.00d .12, Rbr	1
	25	1016837	(000000-	) Bracket, Mtg, Valve	1
26	08716	(000000-	) Screw, Hex, M6 X 1.0 X 20, Ss	2	
27	01684	(000000-	) Washer, Flat, 0.25, Ss	2	
28	08712	(000000-	) Nut, Hex, Lock, M6 X 1.00, Ss, NI	2	
29	1015044	(000000-	) Hose, Afmkt, Pvc, Brd 0.75id 12ft	1	

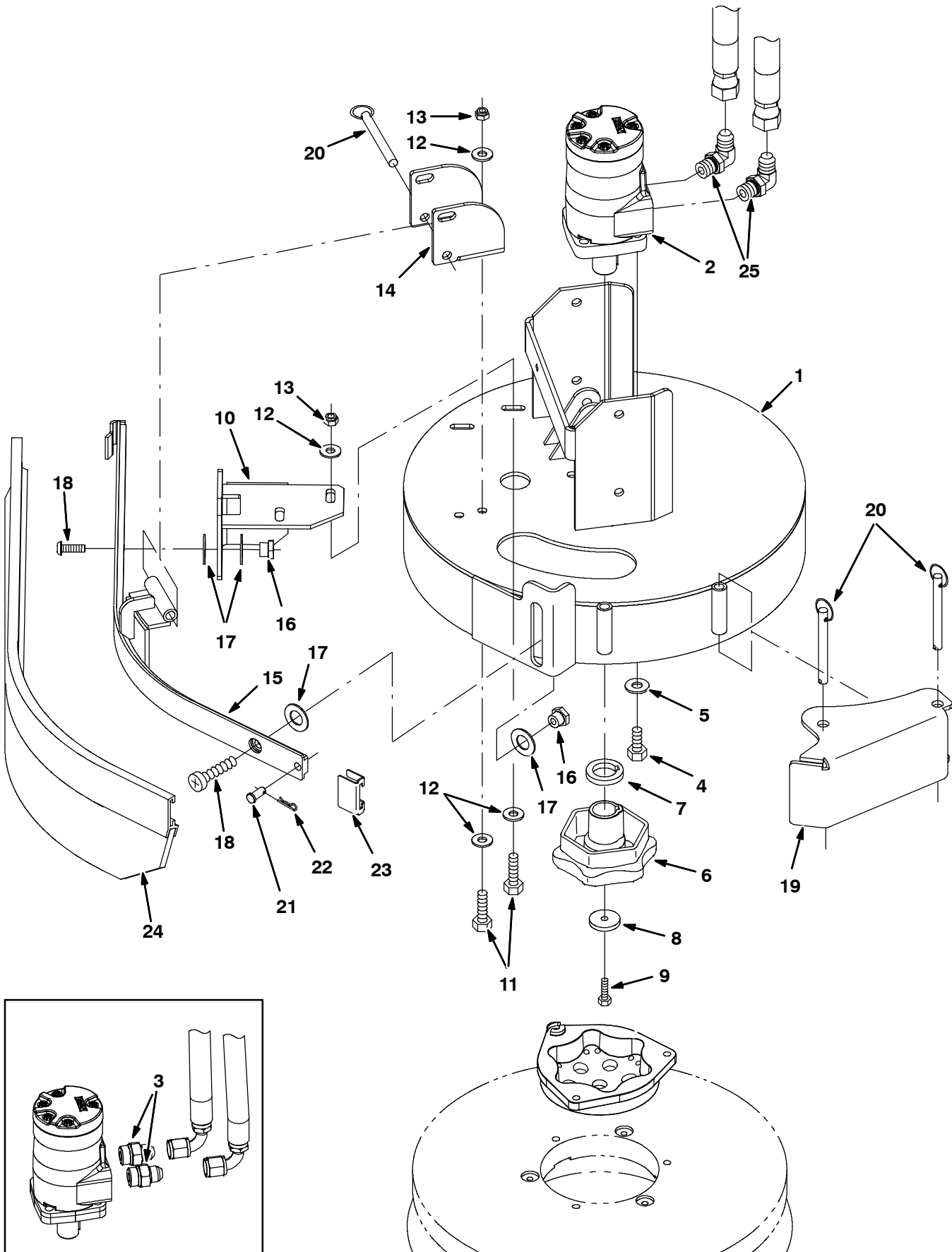
Fig. 2 - ES Tanks Group



**Fig. 2 - ES Tanks Group**

<b>Ref.</b>	<b>Part No.</b>	<b>Serial Number</b>	<b>Description</b>	<b>Qty.</b>
1	1021210	(000000-	) Pump Assy, Column, Es (See Breakdown)	1
2	1028697	(000000-	) Sleeve, Rbr, 3.50b 3.58d 1.8l	1
3	1015033	(000000-	) Hose, Afmkt, Pvc, Brd 0.62id 01ft	1
4	63810	(000000-	) Clamp, Hose, Wormdrive, 0.56-1.06d, .56w	2
5	386652	(000000-	) Strainer, Soltn, 20 Mesh, Cyl 3.5d 9.5l	1
6	24543	(000000-	) Fitting, Plstc, E90, Bm12/Pf12	1
7	385685	(000000-	) Sensor, Level, Liq, 14vdc 01a .62-11	1
8	1019636	(000000-	) Bracket, Mtg, Strainer	1
9	09740	(000000-	) Screw, Hex, M8 X 1.25 X 20, Ss	6
10	1017218	(000000-	) Washer, Flat, 0.32b 1.00d .12, Ss	6
11	1022229	(000000-	) Tank, Detgt, Trimmed	1
12	1025159	(000000-	) Bracket, Mtg, Detgt And Spray Wand	1
13	20952	(000000-	) Screen, Pump	1
14	1014974	(000000-	) Hose, Afmkt, Pvc, Brd 0.38id 02ft	1
15	20944	(000000-	) Grommet, Pye, 0.37id, F/1.5h, .13 Matl	1
16	20951	(000000-	) Fitting, Plstc, E90, Bm06/Bm06	2
17	43844	(000000-	) Clamp, Hose, Wormdrive, 0.25-0.62d, .31w	2
18	41295	(000000-	) Hose, Pvc, Clr, 0.38id 0.56od 48.00l	1
19	1011885	(000000-	) Cap, Tank	1
20	1029497	(000000-	) Switch Assy, Press, 3.0, 19.5l Tube	1
21	32183	(000000-	) Fitting, Brs, E90, Pm02/Bm03	1
22	1031572	(000000-	) Hose, Afmkt, Vacuum, 0.16id 01ft	1
23	63810	(000000-	) Clamp, Hose, Wormdrive, 0.56-1.06d, .56w	2
24	1015033	(000000-	) Hose, Afmkt, Pvc, Brd 0.62ld, 01Ft, Clr	1
25	10632-2	(000000-	) Grommet, Rbr, 0.62id, F/0.9h, .12 Matl	1
26	1039019	(000000-	) Filter, Soltn, 020mesh, Pm12 3.2d 08.0l	1
27	14877	(000000-	) Fitting, Plstc, E90, Bm12/Pm12	1

Fig. 3 - Side Brush Motor Group





**Fig. 3 - Side Brush Motor Group**

<b>Ref.</b>	<b>Part No.</b>	<b>Serial Number</b>	<b>Description</b>	<b>Qty.</b>
1	1021794	(000000-	) Bracket Wldt, Mtg, Side Brush	1
2	1029379	(000000-	) Motor, Hyd, Gear, Int 08.9 Bi-Dir 2500 (See Breakdown)	1
3	56692	(000000-001037	) Fitting, Hyd, Str, Jm08/Om10	2
4	01762	(000000-	) Screw, Hex, .38-16 X 0.75, NI	4
5	32492	(000000-	) Washer, Flat, 0.38 Std	4
6	1042968	(000000-	) Hub, Drive, Brush, Disk, 1.00b [6t]	1
7	25611	(000000-	) Spacer, Hub, Keyed	1
8	19191	(000000-	) Spacer	1
9	25046	(000000-	) Screw, Hex, .25-20 X 1.00, 5	1
10	1022135	(000000-	) Bracket, Mtg, Sqge	1
11	09010	(000000-	) Screw, Hex, M8 X 1.25 X 25, Ss	4
12	01685	(000000-	) Washer, Flat, 0.31, Ss	8
13	08713	(000000-	) Nut, Hex, Lock, M8 X 1.25, NI, Ss	4
14	1022188	(000000-	) Bar, Retainer	1
15	1022111	(000000-	) Frame Wldt, Sqge, Side Brush	1
16	1022302	(000000-	) Nut, T, M8 X 1.25 X 14.5od X 9.5l	2
17	64425	(000000-	) Washer, Thrust, 0.61b 1.25d .06, Fgl	4
18	223470	(000000-	) Screw, Btn, M8 X 1.25 X 25, Ss	2
19	1022260	(000000-	) Bumper Wldt, Brush, Side	1
20	369359	(000000-	) Pin, Hitch, .375d X 3.12l, PI	3
21	46800	(000000-	) Pin, Clevis, 0.31d X 0.75l	1
22	08179	(000000-	) Pin, Cotter, .094 X 1.00	1
23	86759	(000000-	) Retainer, Sqge	1
24	1025005	(000000-	) Squeegee Assy, Sba, Linatex	1
24	1027716	(000000-	) Squeegee Assy, Sba, Ure	1
25	56821	(001038-	) Fitting, Hyd, E90, Jm08/Om10	1

Fig. 4 - Side Brush Lift Group

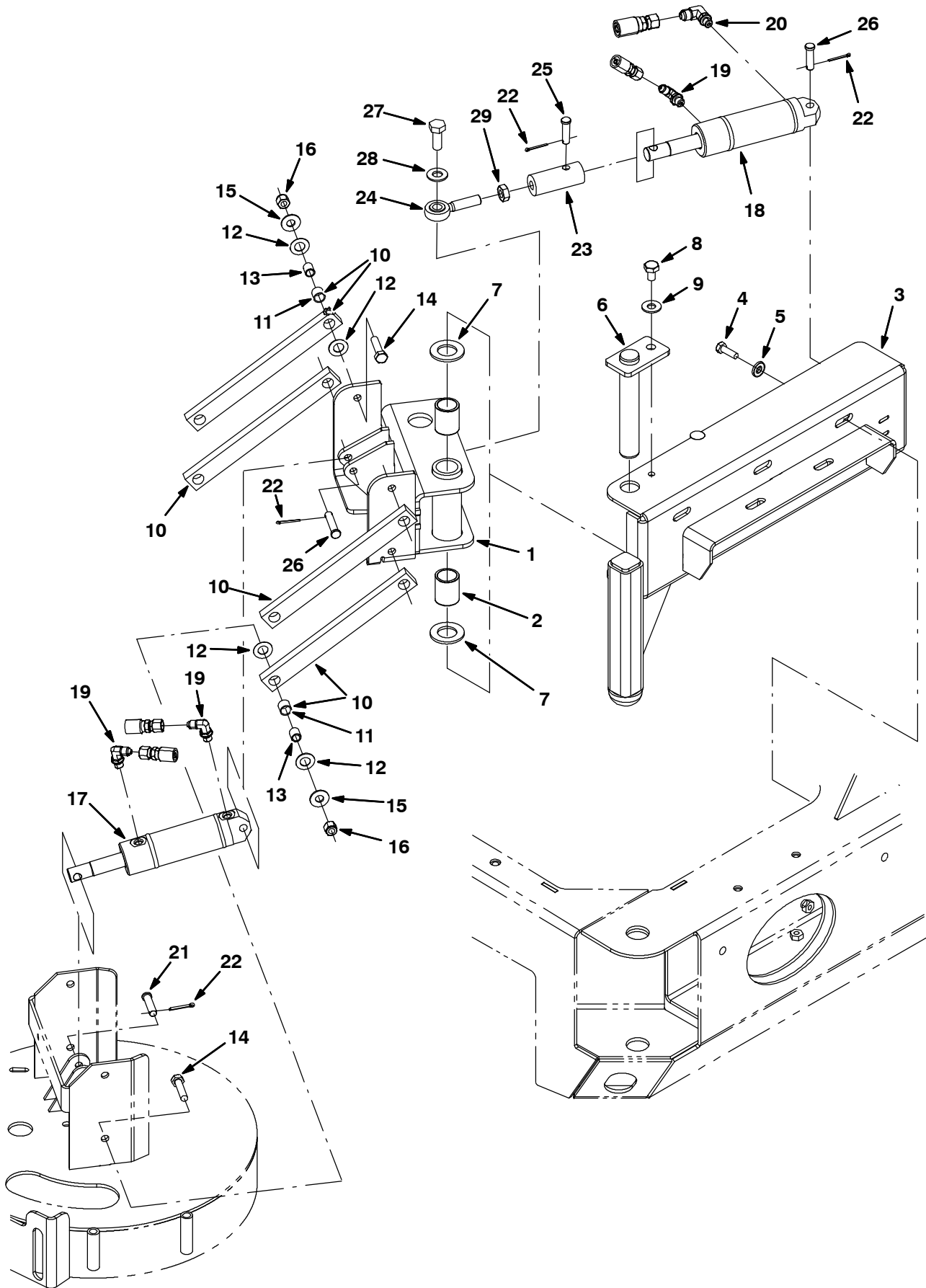
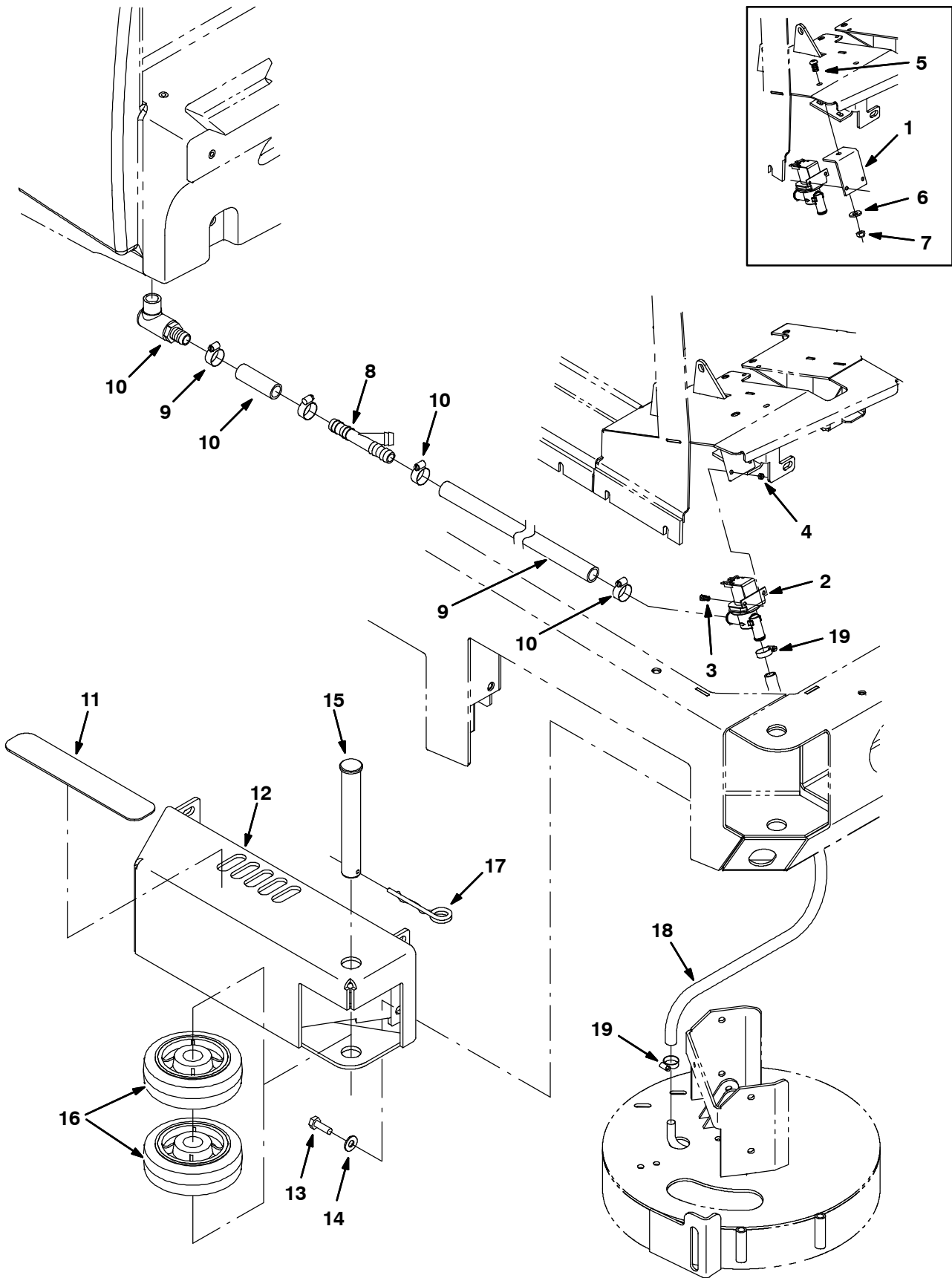


Fig. 4 - Side Brush Lift Group

Ref.	Part No.	Serial Number	Description	Qty.
1	1021439	(000000-	) Pivot Wldt, Brush, Side	1
2	71868	(000000-	) Bushing, Sleeve, 1.00b 1.13d 1.50l, Fgl	2
3	1021473	(000000-	) Channel Wldt, Pivot	1
4	09010	(000000-	) Screw, Hex, M8 X 1.25 X 25, Ss	5
5	41186	(000000-	) Washer, Flat, Belleville, .31	5
6	1021617	(000000-	) Pin Wldt	1
7	71869	(000000-	) Washer, Thrust, 1.00b 1.75d 0.13w, Fbr	2
8	16735	(000000-	) Screw, Hex, M8 X 1.25 X 16, 8.8	1
9	32491	(000000-	) Washer, Flat, 0.31, Std	1
▽	10	63175-1	(000000-) Arm, Link	4
▲	11	63233	(000000-) Bushing, Sleeve, 0.50b 0.59d 0.50l, Bnz	2
	12	59633	(000000-) Bearing, Thrust, 0.53b 1.00d 0.03w	16
	13	1027926	(000000-) Sleeve, P/M, 0.37b 0.50d 0.6l [430ss]	8
	14	36845	(000000-) Screw, Hex, .38-16 X 1.50, Ss	8
	15	01685	(000000-) Washer, Flat, 0.31, Ss	8
	16	59156	(000000-) Nut, Hex, Lock, .38-16, Ni, Ss	8
	17	1038137	(000000-) Cylinder, Hyd, 1.5b 07.8l 02.80strk 2500	1
	18	1038115	(000000-) Cylinder, Hyd, 1.5b 07.8l 02.75strk 2500	1
	19	77097	(000000-) Fitting, Hyd, E90, Jm04/Om04	3
	20	77098	(000000-) Fitting, Hyd, E90, Jm06/Om04	1
	21	29558	(000000-) Pin, Clevis, 0.37d X 1.50l	1
	22	08179	(000000-) Pin, Cotter, .094 X 1.00	4
	23	1021564	(000000-) Adapter, Rod-End, Side Brush	1
	24	71874	(000000-) Rod-End, .50-20rh Mal 0.50b	1
	25	29557	(000000-) Pin, Clevis, 0.37d X 1.31l	1
	26	17461	(000000-) Pin, Clevis, 0.37d X 1.75l	2
	27	41346	(000000-) Screw, Hex, M12 X 1.75 X 30, 8.8	1
	28	32486	(000000-) Washer, Flat, 0.50 Sae	1
	29	48985	(000000-) Nut, Hex, Jam, .50-20	1

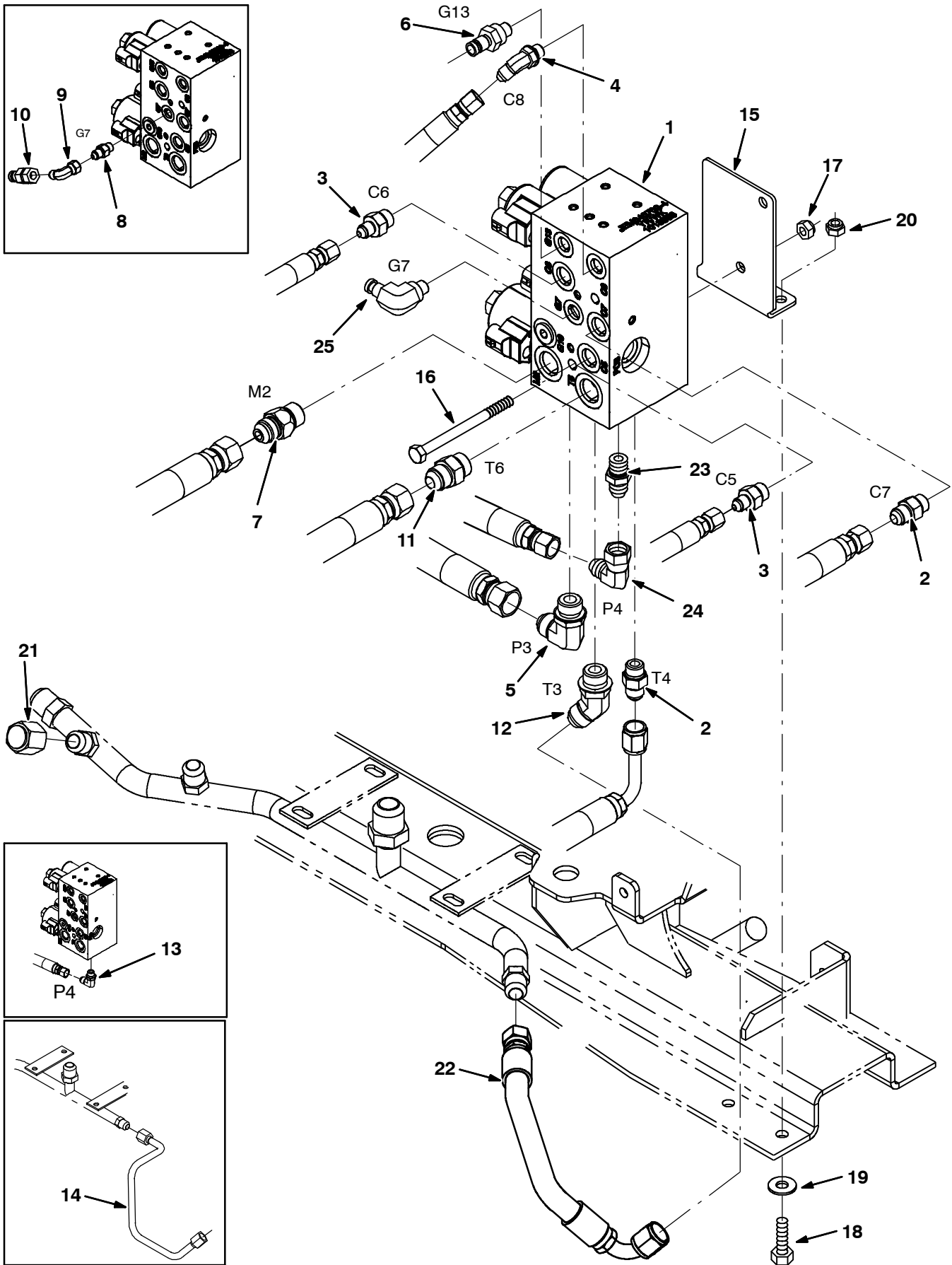
Fig. 5 - Side Brush Solution Control Group



**Fig. 5 - Side Brush Solution Control Group**

<b>Ref.</b>	<b>Part No.</b>	<b>Serial Number</b>	<b>Description</b>	<b>Qty.</b>
1	1023667	(000000-001602 )	Angle, Mtg, Valve	1
2	1022106	(000000-	Valve Assy, Water, Solenoid, 12vdc	1
3	09738	(000000-	Screw, Hex, M5 X 0.8 X 12, Ss	2
4	09739	(000000-	Nut, Hex, Lock, M5 X 0.8, NI, Ss	2
5	17284	(000000-001602 )	Screw, Btn, M8 X 1.25 X 16, Ss	1
6	32491	(000000-001602 )	Washer, Flat, 0.31, Std	1
7	08713	(000000-001602 )	Nut, Hex, Lock, M8 X 1.25, NI, Ss	1
8	393255	(000000-	Fitting, Plstc, Tee, Bm12/Bm12/Bm12	1
9	1015045	(000000-	Hose, Afmkt, Pvc, Brd 0.75id 08ft	1
10	63810	(000000-	Clamp, Hose, Wormdrive, 0.56-1.06d, .56w	4
11	82839	(000000-	Tread, Non-Skid, 02.2w 11.5l	1
12	1022318	(000000-	Guard Wldt, Brush, Side	1
13	12317	(000000-	Screw, Hex, M10 X 1.5 X 30, Ss	4
14	01686	(000000-	Washer, Flat, 0.44b 1.00d .08, Ss	4
15	1017672	(000000-	Pin, Clevis, 30mmd X 200mml	1
16	1021047	(000000-	Wheel, 06.0d 2.00w 1.19b, Gray Rbr	2
17	761490	(000000-	Pin, Cotter, Hair, Dbl	1
18	50178	(000000-	Hose, Pvc, Clr, 0.50id 0.69od 26.00l	1
19	54333	(000000-	Clamp, Hose, Wormdrive, 0.31-0.88d, .31w	2

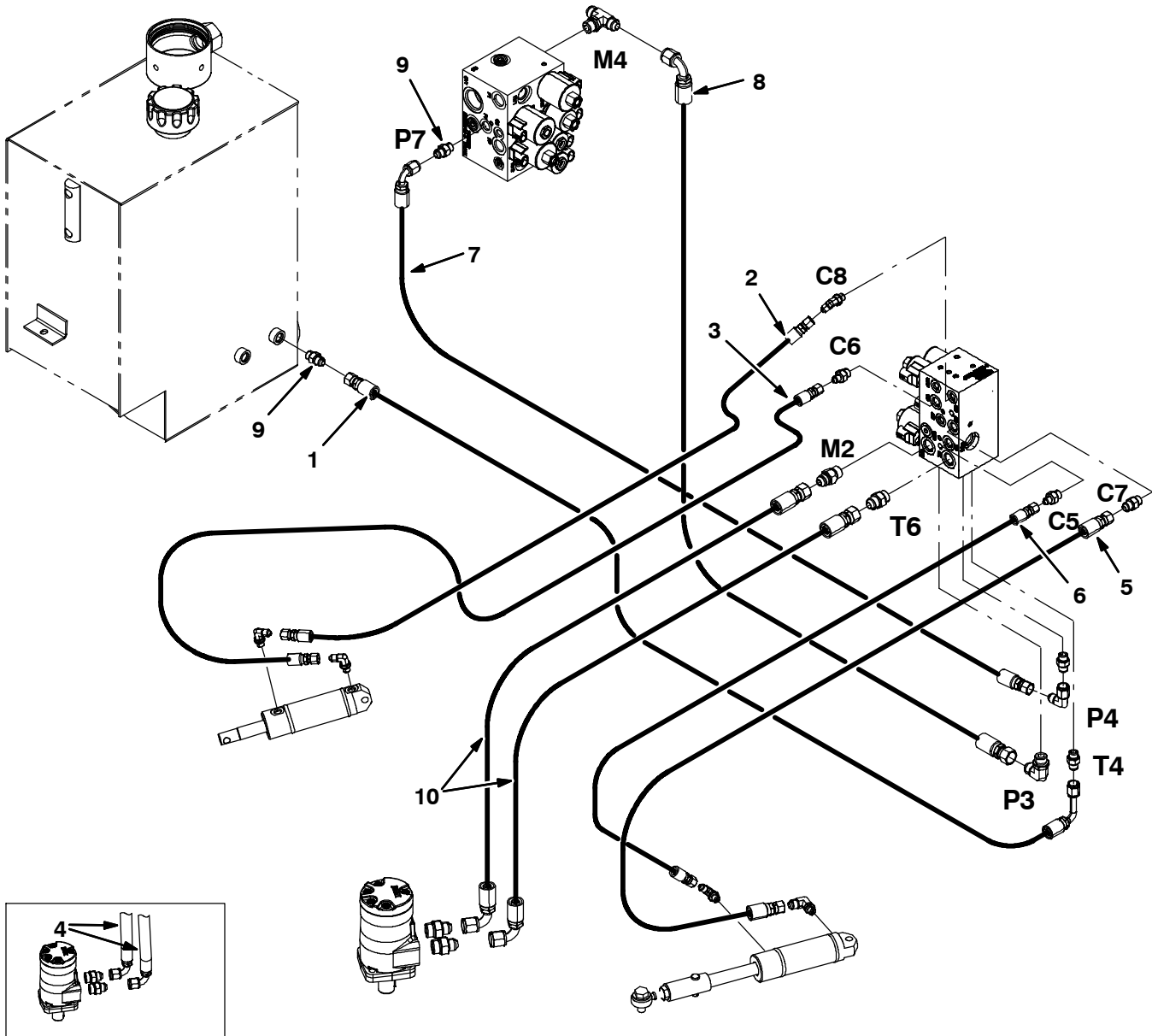
Fig. 6 - Side Brush Hydraulic Valve Group



**Fig. 6 - Side Brush Hydraulic Valve Group**

<b>Ref.</b>	<b>Part No.</b>	<b>Serial Number</b>	<b>Description</b>	<b>Qty.</b>
1	1018938	(000000-001503 )	Valve, Cntrl, Hyd [M20 And T20] (See Breakdown)	1
1	1037805	(001504- )	Valve, Hyd, Solenoid 12vdc 3000psi (See Breakdown)	1
2	56690	(000000- )	Fitting, Hyd, Str, Jm06/Om06	2
3	55685	(000000- )	Fitting, Hyd, Str, Jm04/Om06	2
4	34359	(000000- )	Fitting, Hyd, E45, Jm04/Om04	1
5	44868	(000000- )	Fitting, Hyd, E90, Jm08/Om08	1
6	395973	(000000- )	Fitting, Hyd, Str, Om04/Qm04	1
7	1026119	(000000- )	Valve, Hyd, Check, Jm08/Om08 5000psi	1
8	55586	(000000-002049 )	Fitting, Hyd, Str, Jm04/Om04	1
9	39210	(000000-002049 )	Fitting, Hyd, E90, Jf04/Jm04	1
10	396476	(000000-002049 )	Fitting, Hyd, Str, Jf04/Qm04	1
11	44869	(000000- )	Fitting, Hyd, Str, Jm08/Om08	1
12	42226	(000000- )	Fitting, Hyd, E45, Jm08/Om08	1
13	56820	(000000-001503 )	Fitting, Hyd, E90, Jm06/Om06	1
14	1025405	(000000-001040 )	Tube, Hyd, 08 Jf08/Jf08	1
15	1045272	(000000- )	Bracket, Valve, Sba [M20 And T20]	1
16	06959	(000000- )	Screw, Hex, M8 X 1.25 X 100, 8.8	2
17	08709	(000000- )	Nut, Hex, Lock, M8 X 1.25, NI	2
18	09010	(000000- )	Screw, Hex, M8 X 1.25 X 25, Ss	2
19	32491	(000000- )	Washer, Flat, 0.31, Std	2
20	08713	(000000- )	Nut, Hex, Lock, M8 X 1.25, NI, Ss	2
21	60090	(000000- )	Fitting, Hyd, Cap, Jf08	1
22	1037011	(001041- )	Hose, Hyd, Tc08, Jf08str/Jf08e90, 012.0	1
23	56690	(001504- )	Fitting, Hyd, Str, Jm06/Om06	1
24	47504	(001504- )	Fitting, Hyd, E90, Jf06/Jm06	1
25	395974	(002050- )	Fitting, Hyd, E90, Om04/Qm04	1

Fig. 7 - Side Brush Hydraulic Hose Group





**Fig. 7 - Side Brush Hydraulic Hose Group**

<b>Ref.</b>	<b>Part No.</b>	<b>Serial Number</b>	<b>Description</b>	<b>Qty.</b>
1	361047	(000000-	) Hose, Hyd, Med06, Jf06e90/Jf06str,038.0	1
2	1023485	(000000-	) Hose, Hyd, Tc06, Jf06str/Jf06str, 033.0	1
3	1025990	(000000-	) Hose, Hyd, Tc04, Jf04str /Jf04str, 39.0	1
4	1023486	(000000-001037	) Hose, Hyd, Tc08, Jf08e90/Jf08str, 034.0	2
5	1025991	(000000-	) Hose, Hyd, Tc06, Jf06str /Jf06str, 23.0	1
6	1025992	(000000-	) Hose, Hyd, Tc04, Jf04str /Jf04str, 20.0	1
7	1025445	(000000-	) Hose, Hyd, Tc06, Jf06str /Jf06e90, 74.0	1
8	1028270	(000000-	) Hose, Hyd, Tc08, Jf08e90/Jf08str, 084.0	1
9	56690	(000000-	) Fitting, Hyd, Str, Jm06/Om06	2
10	1036965	(001038-	) Hose, Hyd, Tc08, Jf08Str/Jf08Str, 034.0	2

Fig. 8 - Fast Solution Pump Group (000000-001742)

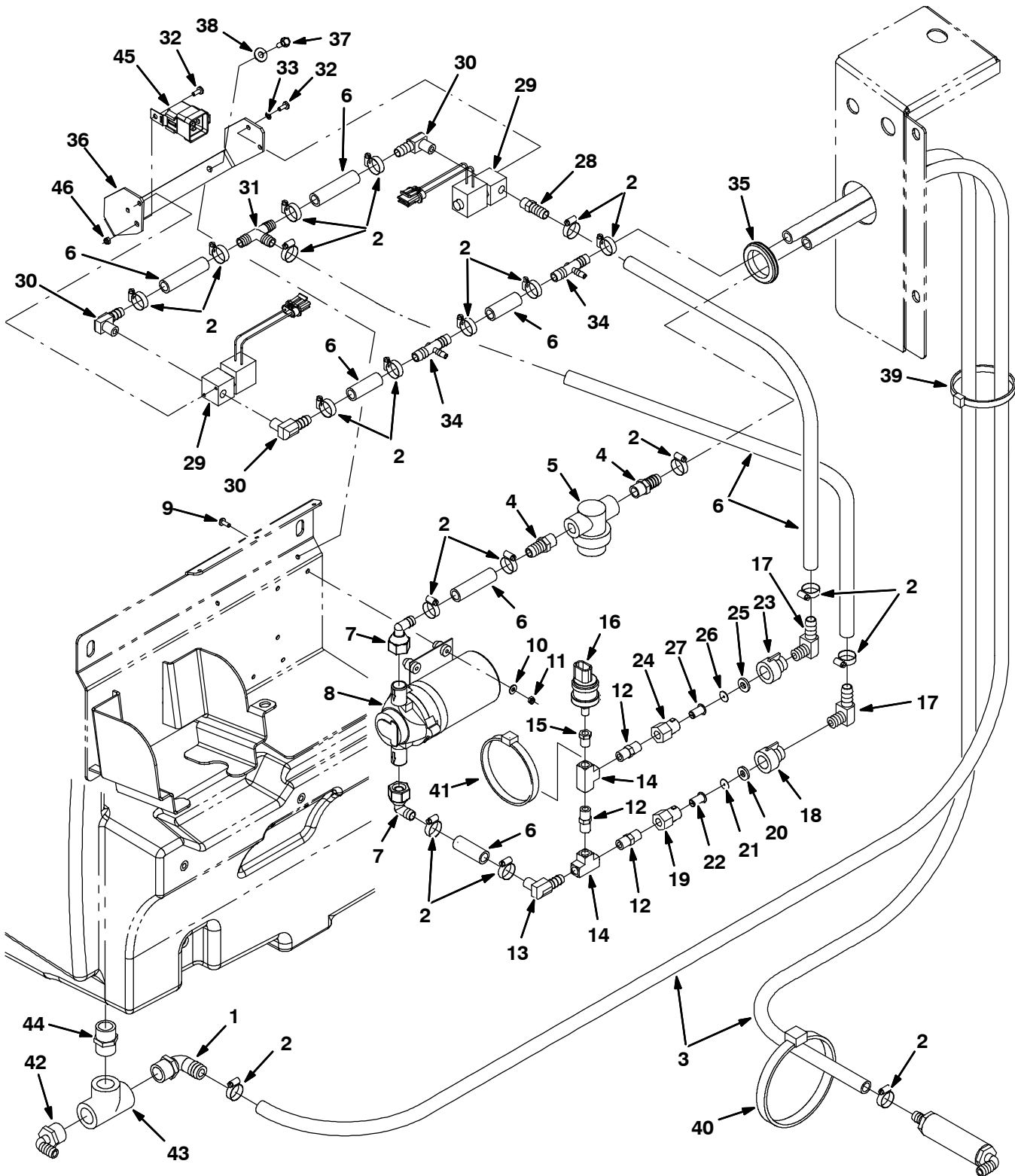
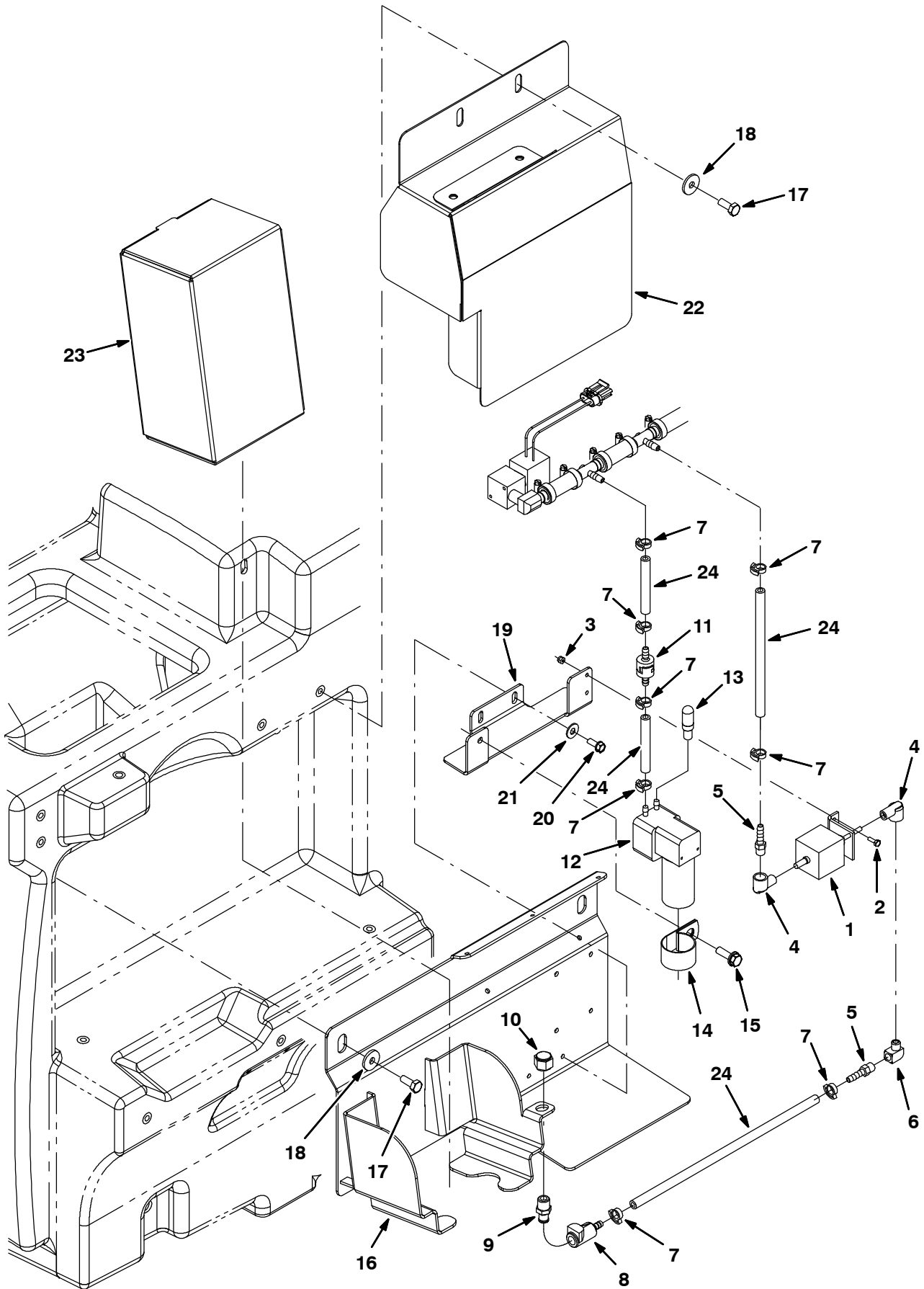


Fig. 8 - Fast Solution Pump Group (000000-001742)

Ref.	Part No.	Serial Number	Description	Qty.	
1	1005552	(000000-001742 )	Fitting, Plstc, E90, Bm08/Pm12, Nyl	1	
2	54333	(000000-001742 )	Clamp, Hose, Wormdrive, 0.31-0.88d, .31w	1	
3	1011412	(000000-001742 )	Hose, Afmkt, Pvc, Brd 0.50id 08ft	1	
4	64743	(000000-001742 )	Fitting, Plstc, Str, Bm08/Pm06	2	
5	1005302	(000000-001742 )	Filter, In-Line, Pf06/Pf06, 80 Mesh	1	
6	1006401	(000000-001742 )	Hose, Afmkt, Pvc, Brd 0.50id 03ft	1	
7	1018499	(000000-001742 )	Fitting, Plstc, E90, Bm08/Pf08s, Swivel	2	
8	1030878	(000000-001742 )	Pump, Soltn, Ele, 12vdc [W/O Chk Valve]	1	
9	17185	(000000-001742 )	Screw, Pan, M5 X 0.8 X 40, Ss	4	
10	01683	(000000-001742 )	Washer, Flat, #10, Ss	4	
11	09739	(000000-001742 )	Nut, Hex, Lock, M5 X 0.8, NI, Ss	4	
12	398468	(000000-001742 )	Fitting, Brs, Str, Pm04/Pm04	3	
13	1010836	(000000-001742 )	Fitting, Brs, E90, Bm08/Pm04	1	
14	398474	(000000-001742 )	Fitting, Brs, Tee, Pf04/Pf04/Pf04	2	
15	150100	(000000-001742 )	Fitting, Brs, Str, Pf02/Pm04	1	
16	1028582	(000000-001742 )	Switch, Press, 10psi, Spst	1	
17	1010836	(000000-001742 )	Fitting, Brs, E90, Bm08/Pm04	2	
▽	1030864	(000000-001742 )	Fitting Assy, Orifice, 0.070b, Pf04/Pf04	1	
▲	18	1005506	(000000-001742 )	Fitting, Plstc, Cap, Spray, Pf04	1
▲	19	1005507	(000000-001742 )	Fitting, Plstc, Body, Spray, Pf04	1
▲	20	1005508	(000000-001742 )	Washer, Flat, 0.34b 0.75d .12 [Viton]	1
▲	21	1018883	(000000-001742 )	Plate, Orifice, 0.070id	1
▲	22	1006447	(000000-001742 )	Vr, Filter, Screen, 50 Mesh .59d .8l Ss	1
▽	1030863	(000000-001742 )	Fitting Assy, Orifice, 0.093b, Pf04/Pf04	1	
▲	23	1005506	(000000-001742 )	Fitting, Plstc, Cap, Spray, Pf04	1
▲	24	1005507	(000000-001742 )	Fitting, Plstc, Body, Spray, Pf04	1
▲	25	1005508	(000000-001742 )	Washer, Flat, 0.34b 0.75d .12 [Viton]	1
▲	26	1018884	(000000-001742 )	Plate, Orifice, 0.093id	1
▲	27	1006447	(000000-001742 )	Vr, Filter, Screen, 50 Mesh .59d .8l Ss	1
28	762249	(000000-001742 )	Fitting, Brs, Str, Bm08/Pm04	1	
29	1018098	(000000-001742 )	Valve, Water, 12vdc, 6.0mm, 04pf	2	
30	1010836	(000000-001742 )	Fitting, Brs, E90, Bm08/Pm04	3	
31	63245-1	(000000-001742 )	Fitting, Plstc, Tee, Bm08/Bm08/Bm08	1	
32	09200	(000000-001742 )	Screw, Pan, M5 X 0.8 X 12, Ss	5	
33	07514	(000000-001742 )	Washer, Lock, Int, #10, Ss	4	
34	1010684	(000000-001742 )	Fitting, Plstc, Tee, Bm04/Bm08/Bm08, Br	2	
35	10632-19	(000000-001742 )	Grommet, Rbr, 2.13id, F/2.5h, .12 Matl	1	
36	1026074	(000000-001742 )	Plate, Hsng [Fast]	1	
37	361339	(000000-001742 )	Screw, Hex, M6 X 1.0 X 16, Fmg	4	
38	32490	(000000-001742 )	Washer, Flat, 0.25 Std	4	
39	49266	(000000-001742 )	Tie, Cable, Nyl, 07.3l .19w 1.8 Max D	1	
40	763116	(000000-001742 )	Tie, Cable, Nyl, 15.3l . W 4.5 Max D	1	
41	763114	(000000-001742 )	Tie, Cable, 11.3l, 2.75d Max	1	
42	14877	(000000-001742 )	Fitting, Plstc, E90, Bm12/Pm12	1	
43	42133A	(000000-001742 )	Fitting, Plstc, Tee, Pf12/Pf12/Pf12	1	
44	24544	(000000-001742 )	Fitting, Plstc, Str, Pm12/Pm12 1.60l	1	
45	56186	(000000-001742 )	Relay, 12vdc, 40a, Spdt N/O	1	
46	09739	(000000-001742 )	Nut, Hex, Lock, M5 X 0.8, NI, Ss	1	

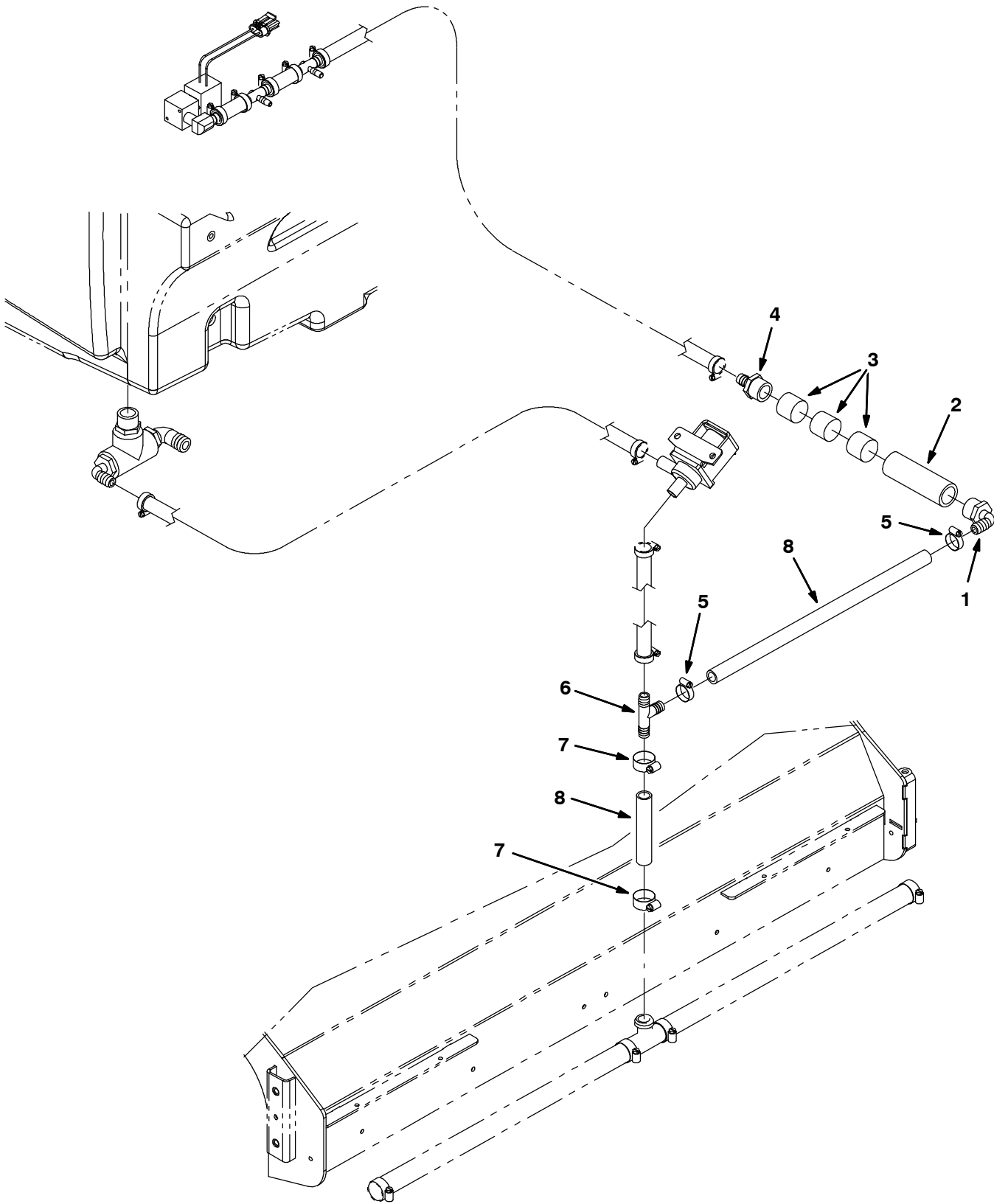
**Fig. 9 - Fast Air Pump and Detergent Group (000000-001742)**



**Fig. 9 - Fast Air Pump and Detergent Group (000000-001742)**

<b>Ref.</b>	<b>Part No.</b>	<b>Serial Number</b>	<b>Description</b>	<b>Qty.</b>
1	1018097	(000000-001742 )	Pump, Detgt, 12vdc	1
2	09206	(000000-001742 )	Screw, Hex, M4 X 0.7 X 12, 8.8	2
3	02850	(000000-001742 )	Nut, Hex, Lock, M4 X 0.7, NI	2
4	1014082	(000000-001742 )	Fitting, Brs, E90, Cf03/Pf02	2
5	150525	(000000-001742 )	Fitting, Brs, Str, Bm04/Pm02	2
6	11984	(000000-001742 )	Fitting, Pipe, E90, Pf02/Pm02	1
7	1014575	(000000-001742 )	Clamp, Hose, Plstc .351-.394 Id	8
8	1002898	(000000-001742 )	Fitting, Plstc, Str, Bm04, Cplg, Fem	1
9	1002899	(000000-001742 )	Fitting, Plstc, Str, Pm04, Cplg, Mal	1
10	1005435	(000000-001742 )	Fitting, Plstc, Pipe, Cap, Pf04	1
11	1013902	(000000-001742 )	Valve, Check, 0002psi Bm04/Bm04	1
12	1018780	(000000-001742 )	Pump, Air, Ele, 12vdc	1
13	1005255	(000000-001742 )	Filter Assy, Air, Mold, Ure	1
14	53466	(000000-001742 )	Clamp, Cable, Stl, 1.50d X 1.00w, 1h	1
15	76099	(000000-001742 )	Screw, Hex, M8 X 1.25 X 25, Fmg	1
16	1026067	(000000-001742 )	Bracket Wldt, Mtg [Fast]	1
17	09740	(000000-001742 )	Screw, Hex, M8 X 1.25 X 20, Ss	4
18	1017218	(000000-001742 )	Washer, Flat, 0.32b 1.00d .12, Ss	4
19	1029118	(000000-001742 )	Bracket, Mtg [Fast]	1
20	361339	(000000-001742 )	Screw, Hex, M6 X 1.0 X 16, Fmg	2
21	32490	(000000-001742 )	Washer, Flat, 0.25 Std	2
22	1033297	(000000-001742 )	Cover Wldt [Fast]	1
23	1021878	(000000-001742 )	Detergent Pkg, 4 Liter, Sgl [Tco 665]	1
24	1006415	(000000-001742 )	Hose, Afmkt, Pvc, Clr 0.25id 03ft	1

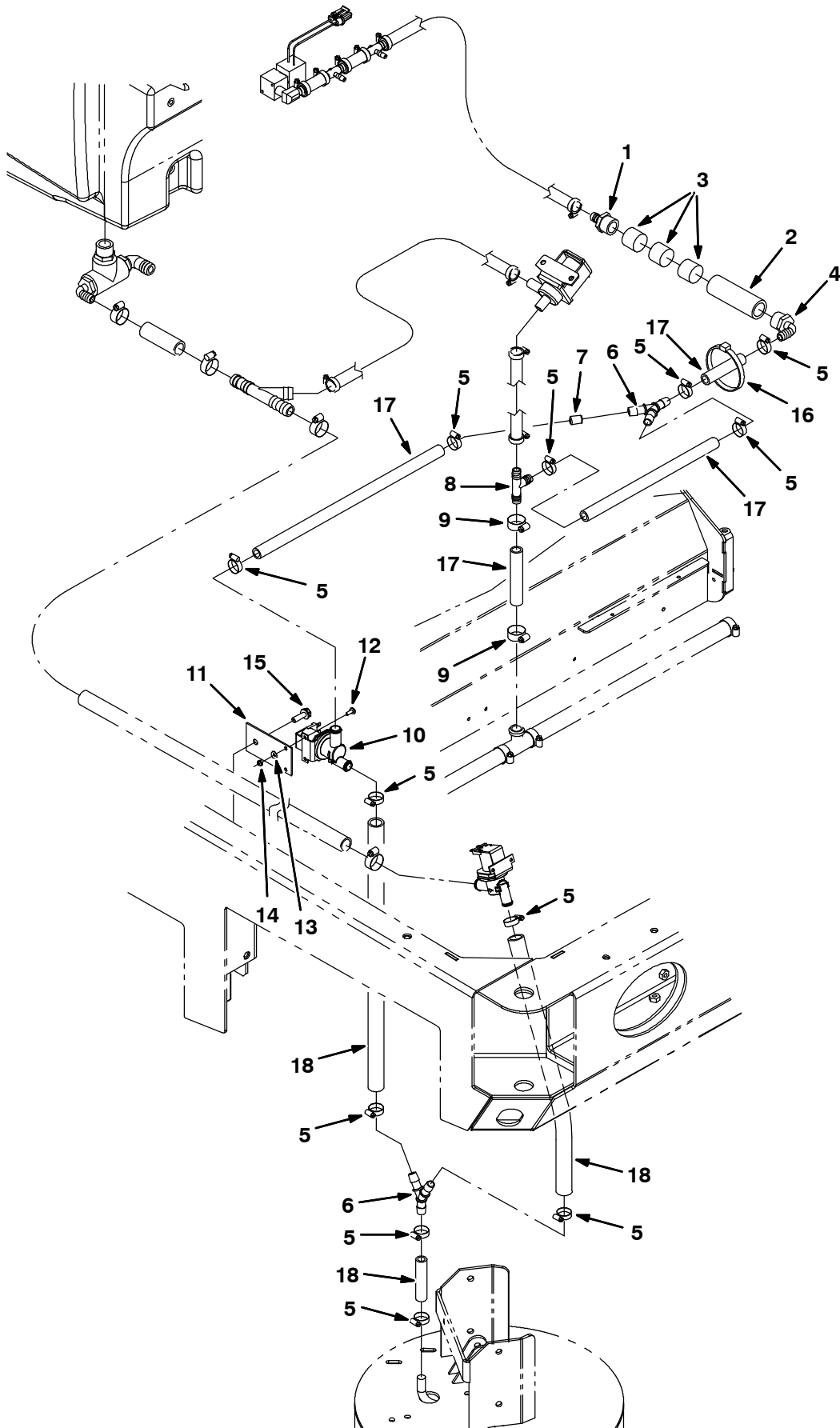
**Fig. 10 - Fast Foam Filter Group, Cylindrical Scrub Head (000000-001742)**



**Fig. 10 - Fast Foam Filter Group, Cylindrical Scrub Head (000000-001742)**

<b>Ref.</b>	<b>Part No.</b>	<b>Serial Number</b>	<b>Description</b>	<b>Qty.</b>
1	1005552	(000000-001742 )	Fitting, Plstc, E90, Bm08/Pm12, Nyl	1
2	1005086	(000000-001742 )	Tube, Pvc, Clr, 4.0l [Shc80]	1
3	1002789	(000000-001742 )	Filter, Foam, Rbr, 1.20d, 1.0l	3
4	79273-1	(000000-001742 )	Fitting, Plstc, Str, Bm08/Pm12	1
5	54333	(000000-001742 )	Clamp, Hose, Wormdrive, 0.31-0.88d, .31w	2
6	385644	(000000-001742 )	Fitting, Plstc, Tee, Bm08/Bm12/Bm12, Br	1
7	63810	(000000-001742 )	Clamp, Hose, Wormdrive, 0.56-1.06d, .56w	2
8	1011521	(000000-001742 )	Hose, Afmkt, Pvc, Brd 0.50id 02ft	1

Fig. 11 - Fast Foam Filter Group, Cylindrical Scrub Head with Side Brush (000000-001742)

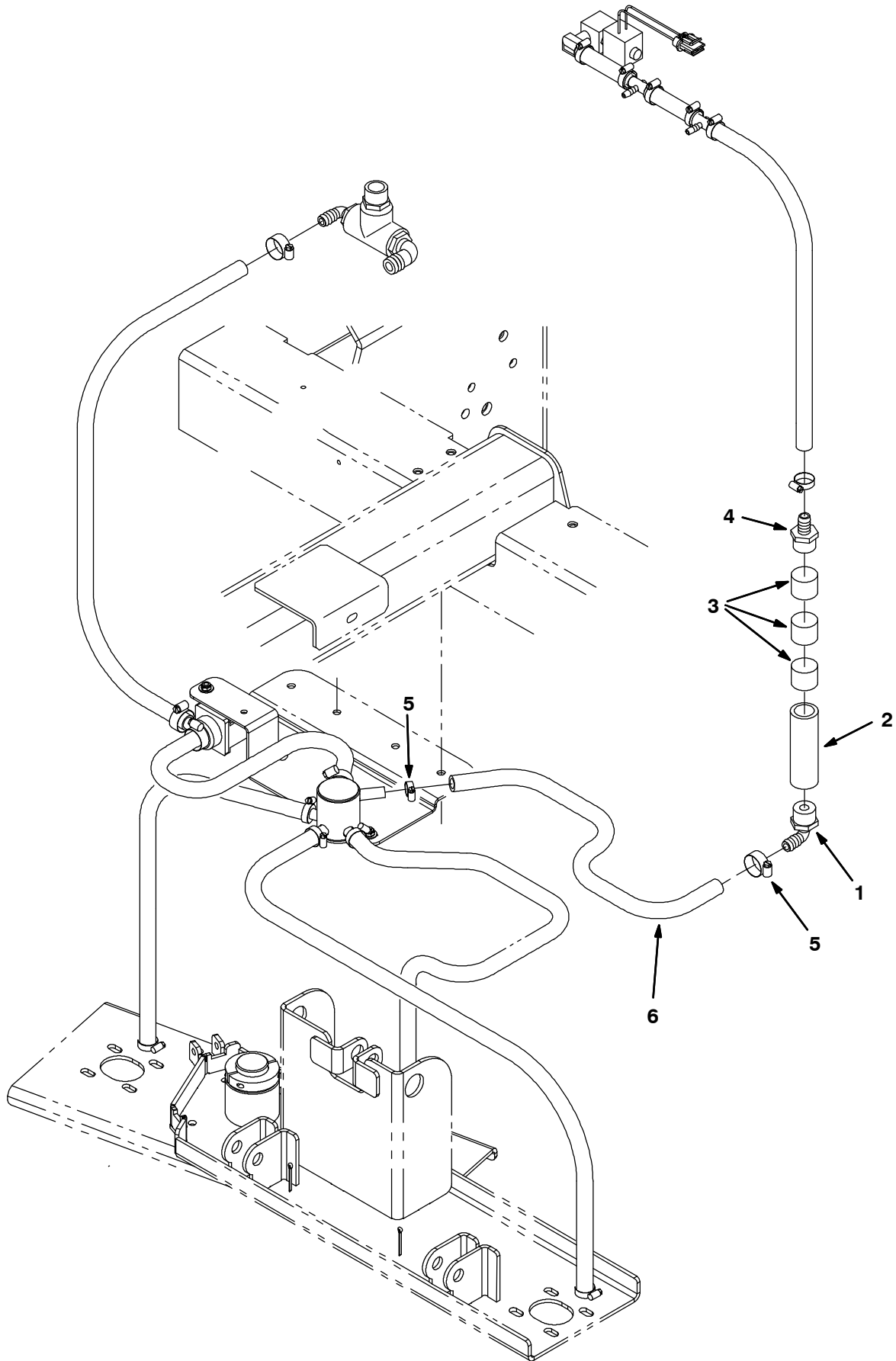




**Fig. 11 - Fast Foam Filter Group, Cylindrical Scrub Head with Side Brush (000000-001742)**

<b>Ref.</b>	<b>Part No.</b>	<b>Serial Number</b>	<b>Description</b>	<b>Qty.</b>
1	79273-1	(000000-001742 )	Fitting, Plstc, Str, Bm08/Pm12	1
2	1005086	(000000-001742 )	Tube, Pvc, Clr, 4.0l [Shc80]	1
3	1002789	(000000-001742 )	Filter, Foam, Rbr, 1.20d, 1.0l	3
4	1005552	(000000-001742 )	Fitting, Plstc, E90, Bm08/Pm12, Nyl	1
5	54333	(000000-001742 )	Clamp, Hose, Wormdrive, 0.31-0.88d, .31w	10
6	1010668	(000000-001742 )	Fitting, Plstc, Y, Bm08/Bm08/Bm08, Nyl	2
7	1018333	(000000-001742 )	Fitting, Plstc, Rst, .50od /.13id	1
8	385644	(000000-001742 )	Fitting, Plstc, Tee, Bm08/Bm12/Bm12, Br	1
9	63810	(000000-001742 )	Clamp, Hose, Wormdrive, 0.56-1.06d, .56w	2
10	1037825	(000000-001742 )	Valve, Solenoid, 12vdc, Water Flow	1
11	1030511	(000000-001742 )	Plate, Mtg, Valve	11
12	09200	(000000-001742 )	Screw, Pan, M5 X 0.8 X 12, Ss	2
13	01683	(000000-001742 )	Washer, Flat, #10, Ss	2
14	09739	(000000-001742 )	Nut, Hex, Lock, M5 X 0.8, NI, Ss	2
15	76099	(000000-001742 )	Screw, Hex, M8 X 1.25 X 25, Fmg	1
16	763116	(000000-001742 )	Tie, Cable, Nyl, 15.3l . W 4.5 Max D	1
17	1011412	(000000-001742 )	Hose, Afmkt, Pvc, Brd 0.50id 08ft	1
18	1015067	(000000-001742 )	Hose, Afmkt, Pvc, Clr 0.50id 08ft	1

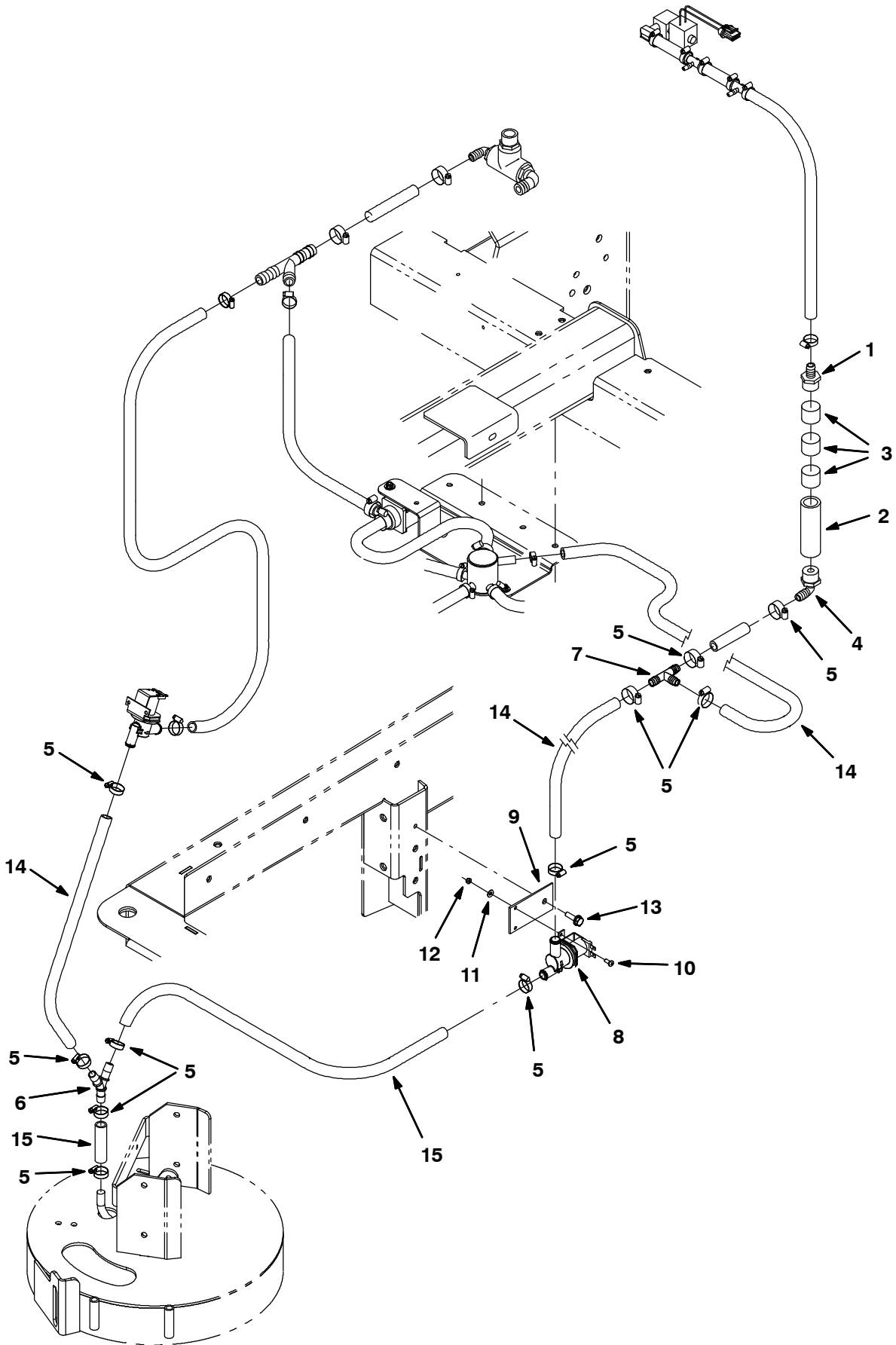
Fig. 12 - Fast Foam Filter Group, Disk Scrub Head (000000-001742)



**Fig. 12 - Fast Foam Filter Group, Disk Scrub Head (000000-001742)**

<b>Ref.</b>	<b>Part No.</b>	<b>Serial Number</b>	<b>Description</b>	<b>Qty.</b>
1	1005552	(000000-001742 )	Fitting, Plstc, E90, Bm08/Pm12, Nyl	1
2	1005086	(000000-001742 )	Tube, Pvc, Clr, 4.0l [Shc80]	1
3	1002789	(000000-001742 )	Filter, Foam, Rbr, 1.20d, 1.0l	3
4	79273-1	(000000-001742 )	Fitting, Plstc, Str, Bm08/Pm12	1
5	54333	(000000-001742 )	Clamp, Hose, Wormdrive, 0.31-0.88d, .31w	2
6	1011521	(000000-001742 )	Hose, Afrmkt, Pvc, Brd 0.50id 02ft	1

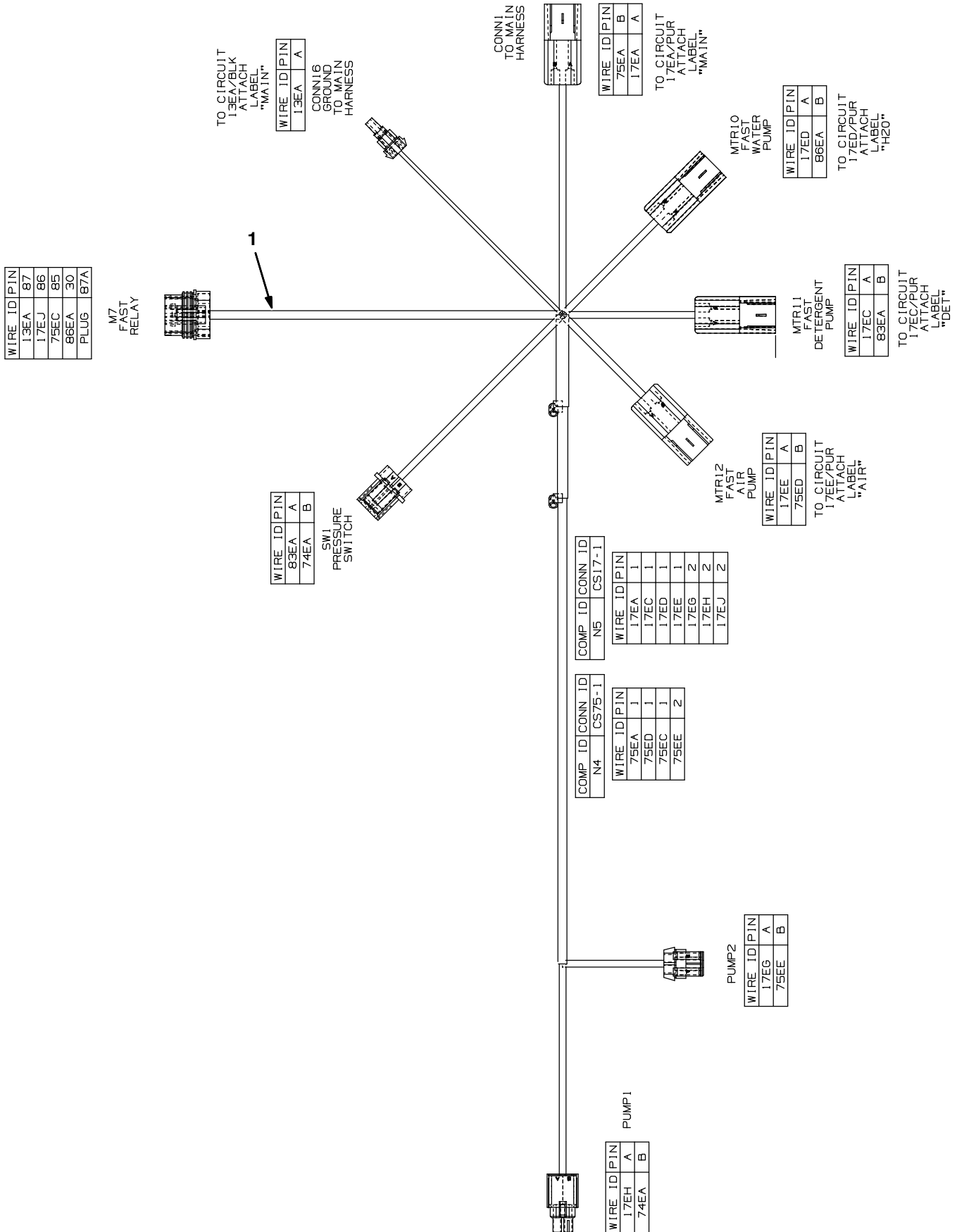
Fig. 13 - Fast Foam Filter Group, Disk Scrub Head with Side Brush (000000-001742)



**Fig. 13 - Fast Foam Filter Group, Disk Scrub Head with Side Brush (000000-001742)**

<b>Ref.</b>	<b>Part No.</b>	<b>Serial Number</b>	<b>Description</b>	<b>Qty.</b>
1	79273-1	(000000-001742 )	Fitting, Plstc, Str, Bm08/Pm12	1
2	1005086	(000000-001742 )	Tube, Pvc, Clr, 4.0l [Shc80]	1
3	1002789	(000000-001742 )	Filter, Foam, Rbr, 1.20d, 1.0l	3
4	1005552	(000000-001742 )	Fitting, Plstc, E90, Bm08/Pm12, Nyl	1
5	54333	(000000-001742 )	Clamp, Hose, Wormdrive, 0.31-0.88d, .31w	11
6	1010668	(000000-001742 )	Fitting, Plstc, Y, Bm08/Bm08/Bm08, Nyl	1
7	63245-1	(000000-001742 )	Fitting, Plstc, Tee, Bm08/Bm08/Bm08	1
8	374704	(000000-001742 )	Valve, Solenoid, Water Flow, 12vdc	1
9	1030511	(000000-001742 )	Plate, Mtg, Valve	11
10	09200	(000000-001742 )	Screw, Pan, M5 X 0.8 X 12, Ss	2
11	01683	(000000-001742 )	Washer, Flat, #10, Ss	2
12	09739	(000000-001742 )	Nut, Hex, Lock, M5 X 0.8, NI, Ss	2
13	76099	(000000-001742 )	Screw, Hex, M8 X 1.25 X 25, Fmg	1
14	1011412	(000000-001742 )	Hose, Afmkt, Pvc, Brd 0.50id 08ft	1
15	1015067	(000000-001742 )	Hose, Afmkt, Pvc, Clr 0.50id 08ft	1

Fig. 14 - Fast Wire Harness Group (000000-001742)



**Fig. 14- Fast Wire Harness Group (000000-001742)**

<b>Ref.</b>	<b>Part No.</b>	<b>Serial Number</b>	<b>Description</b>	<b>Qty.</b>
1	1019646	(000000-001742 )	Harness [Fast, M20 And T20]	1

**Fig. 15 - FaST Pumps and Detergent Group (001743- )**

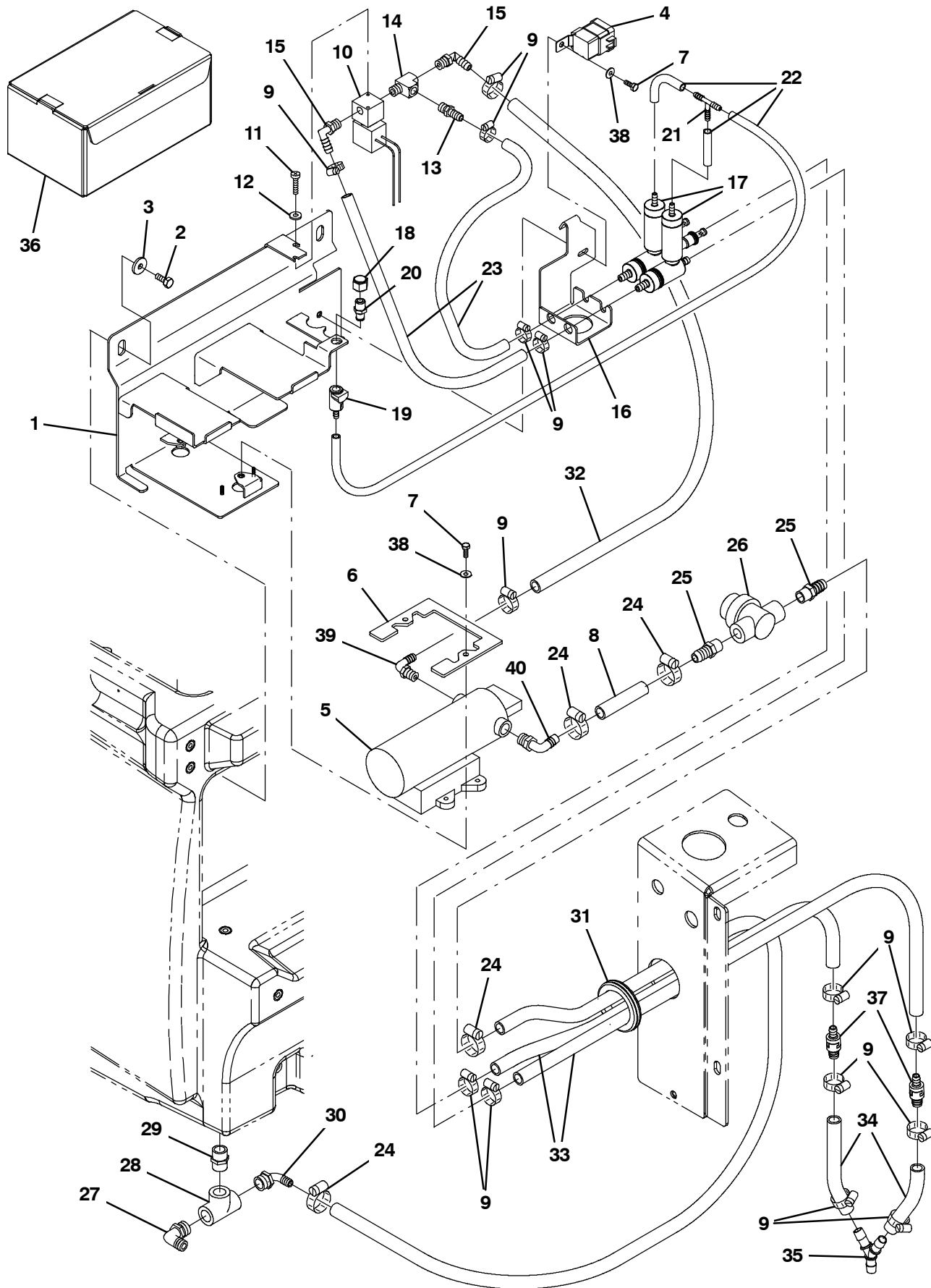
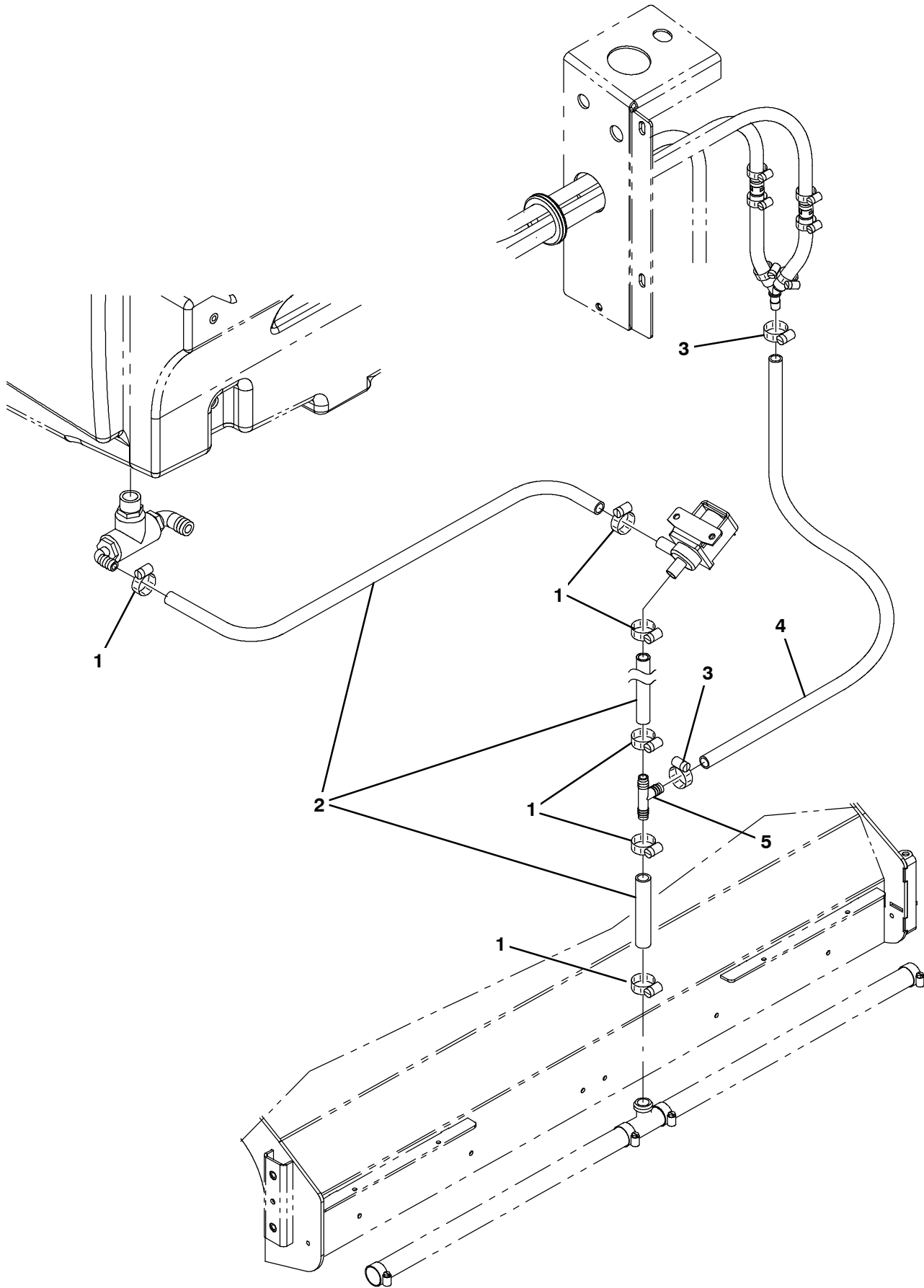




Fig. 15 - FaST Pumps and Detergent Group (001743- )

Ref.	Part No.	Serial Number	Description	Qty.
1	1044342	(001743-	) Bracket Wldt, Mtg [Fast Gen 2+]	1
2	09740	(001743-	) Screw, Hex, M8 X 1.25 X 20, Ss	2
3	1017218	(001743-	) Washer, Flat, 0.32b 1.00d .12, Ss	2
4	56186	(001743-	) Relay, 12vdc, 040a, Spdt No	1
5	1036801	(001743-	) Pump, Soltn, 13.7vdc, 65psi [Fast li+]	1
6	1039357	(001743-	) Bracket, Retainer, Pump	1
7	15678	(001743-	) Screw, Hex, M6 X 1.00 X 16, Ss	3
8	1015047	(001743-	) Hose, Afmkt, Pvc, Brd, 0.75id, 02ft, Clr	1
9	43844	(001743-	) Clamp, Hose, Wormdrive, 0.25-0.62d, .31w	14
10	1018098	(001743-	) Valve, Water, Solenoid, 12vdc 6.0mm Pf04	1
11	09200	(001743-	) Screw, Pan, Phl, M5 X 0.80 X 12, Ss	2
12	01683	(001743-	) Washer, Flat, 10, Ss	2
13	150540	(001743-	) Fitting, Plstc, Str, Bm06/Pm04	1
14	150709	(001743-	) Fitting, Brs, Tee, Pm04/Pf04/Pf04, Run	1
15	57248	(001743-	) Fitting, Plstc, E90, Bm06/Pm04, Nyl	2
16	1044343	(001743-	) Bracket, Mtg [Fast Gen 2+]	1
17	9004515	(001743-	) Fast Kit, Injector, Ci[M20/M30 FaST II+]	2
18	1005435	(001743-	) Fitting, Plstc, Pipe, Cap, Pf04	1
19	1002898	(001743-	) Fitting, Plstc, Str, Bm04, Cplg, Fem	1
20	1002899	(001743-	) Fitting, Plstc, Str, Pm04, Cplg, Mal	2
21	150713	(001743-	) Fitting, Plstc, Tee, Bm04/Bm04/Bm04	1
22	1014986	(001743-	) Hose, Afmkt, Pvc, Clr, 0.25id, 02ft	1
23	1006416	(001743-	) Hose, Afmkt, Pvc, Clr, 0.38id, 03ft	1
24	54333	(001743-	) Clamp, Hose, Wormdrive, 0.31-0.88d, .31w	8
25	150538	(001743-	) Fitting, Plstc, Str, Bm06/Pm06	2
26	1005302	(001743-	) Filter, In-Line, Pf06/Pf06 080mesh 02.6l	1
27	14877	(001743-	) Fitting, Plstc, E90, Bm12/Pm12	1
28	42133A	(001743-	) Fitting, Plstc, Tee, Pf12/Pf12/Pf12	1
29	24544	(001743-	) Fitting, Plstc, Str, Pm12/Pm12 1.60l	1
30	1005552	(001743-	) Fitting, Plstc, E90, Bm08/Pm12, Nyl	1
31	10632-19	(001743-	) Grommet, Rbr, 2.13id, F/2.5h, .12 Matl	1
32	1006400	(001743-	) Hose, Afmkt, Pvc, Brd, 0.38id, 03ft, Clr	1
33	1024237	(001743-	) Hose, Afmkt, Pvc, Wir, 0.50id, 03ft, Clr	1
34	1014929	(001743-	) Hose, Afmkt, Pvc, Clr, 0.38id, 01ft	1
35	1010668	(001743-	) Fitting, Plstc, Y, Bm08/Bm08/Bm08, Nyl	1
36	1021878	(001743-	) Fast 665 4 Ltr, Detergent	1
37	1035794	(001743-	) Valve, Check, 0005psi Bm06/Bm08	2
38	01684	(001743-	) Washer, Flat, 0.27B 0.69D .05, Ss	3
39	1049254	(001743-	) Fitting, Nyl, Qdc, E90, Bm08/ Qm10	1
40	1049259	(001743-	) Fitting, NylY, Qdc, E90, Bm06/ Qm10	1

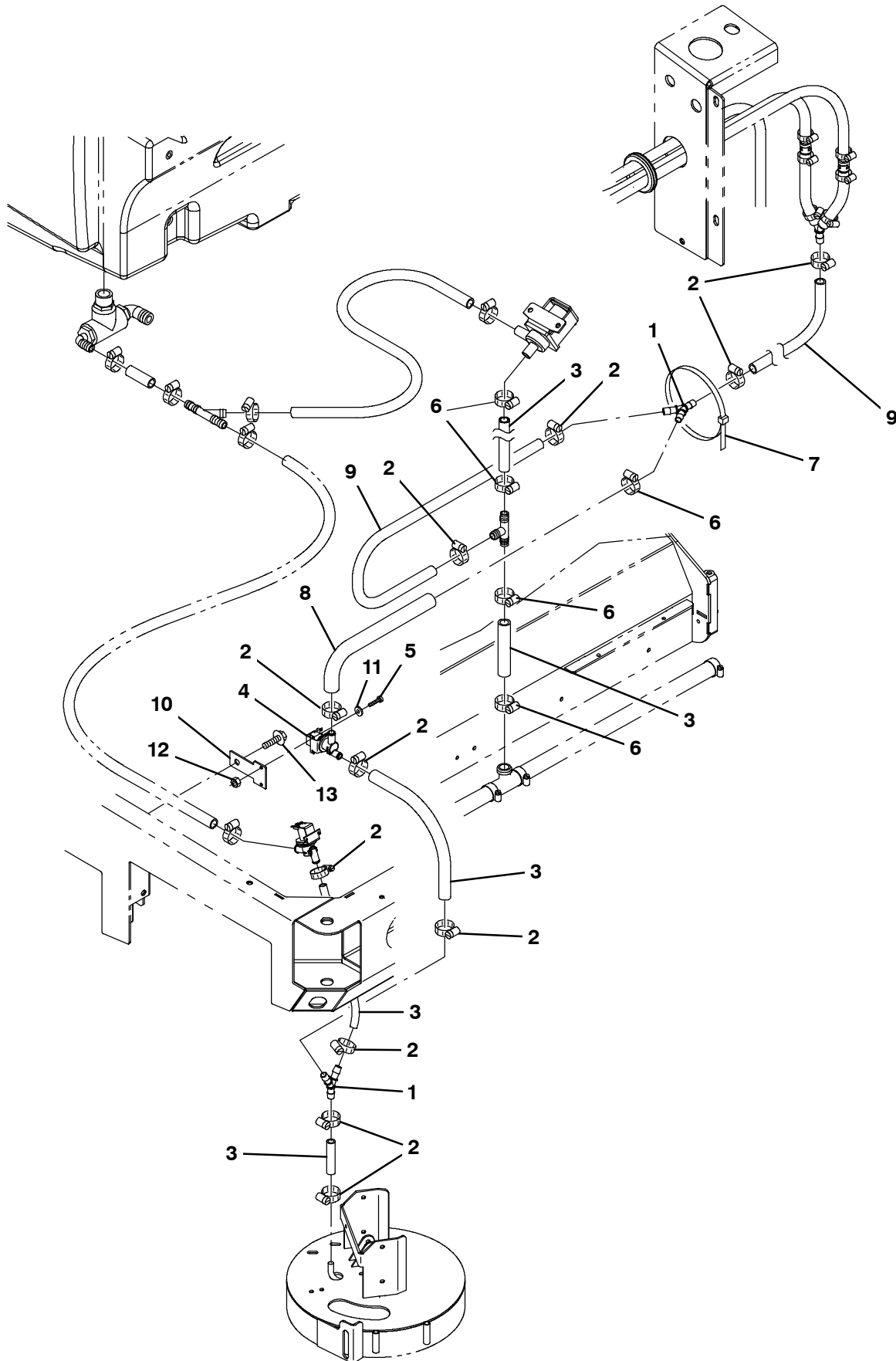
Fig. 16 - FaST Solution Supply Group, Cylindrical Scrub Head (001743- )



**Fig. 16 - FaST Solution Supply Group, Cylindrical Scrub Head (001743- )**

<b>Ref.</b>	<b>Part No.</b>	<b>Serial Number</b>	<b>Description</b>	<b>Qty.</b>
1	63810	(001743-	) Clamp, Hose, Wormdrive, 0.56-1.06d, .56w	6
2	1015045	(001743-	) Hose, Afmkt, Pvc, Brd, 0.75id, 08ft, Clr	1
3	54333	(001743-	) Clamp, Hose, Wormdrive, 0.31-0.88d, .31w	2
4	1011412	(001743-	) Hose, Afmkt, Pvc, Brd, 0.50id, 08ft, Clr	1
5	385644	(001743-	) Fitting, Plstc, Tee, Bm08/Bm12/Bm12, Br	1

**Fig. 17 - FaST Solution Supply Group with Side Brush, Cylindrical Scrub Head (001743- )**

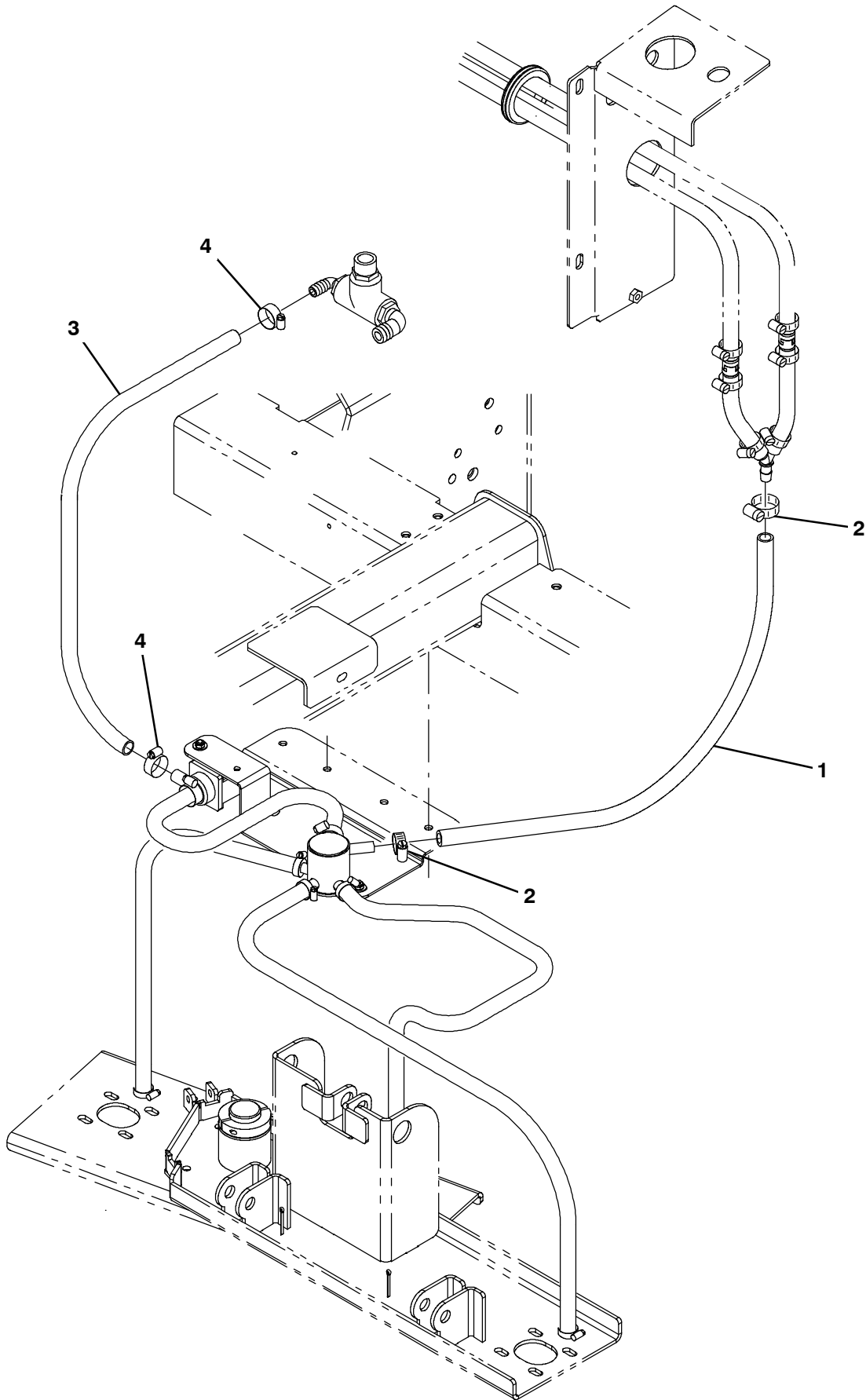


**Fig. 17 - FaST Solution Supply Group with Side Brush, Cylindrical Scrub Head (001743-**

**)**

<b>Ref.</b>	<b>Part No.</b>	<b>Serial Number</b>	<b>Description</b>	<b>Qty.</b>
1	1010668	(001743-	) Fitting, Plstc, Y, Bm08/Bm08/Bm08, Nyl	2
2	54333	(001743-	) Clamp, Hose, Wormdrive, 0.31-0.88d, .31w	11
3	1015067	(001743-	) Hose, Afmkt, Pvc, Clr, 0.50id, 08ft	1
4	1037825	(001743-	) Valve, Solenoid, 12vdc, Water Flow	1
5	09200	(001743-	) Screw, Pan, Phl, M5 X 0.80 X 12, Ss	2
6	63810	(001743-	) Clamp, Hose, Wormdrive, 0.56-1.06d, .56w	5
7	763116	(001743-	) Tie, Cable, Nyl, 15.3l . W 4.5 Max D	1
8	31543	(001743-	) Hose, Heater, E90, 0.62id, 24.0 4.0	1
9	1011412	(001743-	) Hose, Afmkt, Pvc, Brd, 0.50id, 08ft, Clr	1
10	1030511	(001743-	) Plate, Mtg, Valve	1
11	01683	(001743-	) Washer, Flat, 10, Ss	2
12	09739	(001743-	) Nut, Hex, Lock, M5 X 0.80, NI, Ss	2
13	76099	(001743-	) Screw, Hex, M8 X 1.25 X 25, Fmg	1

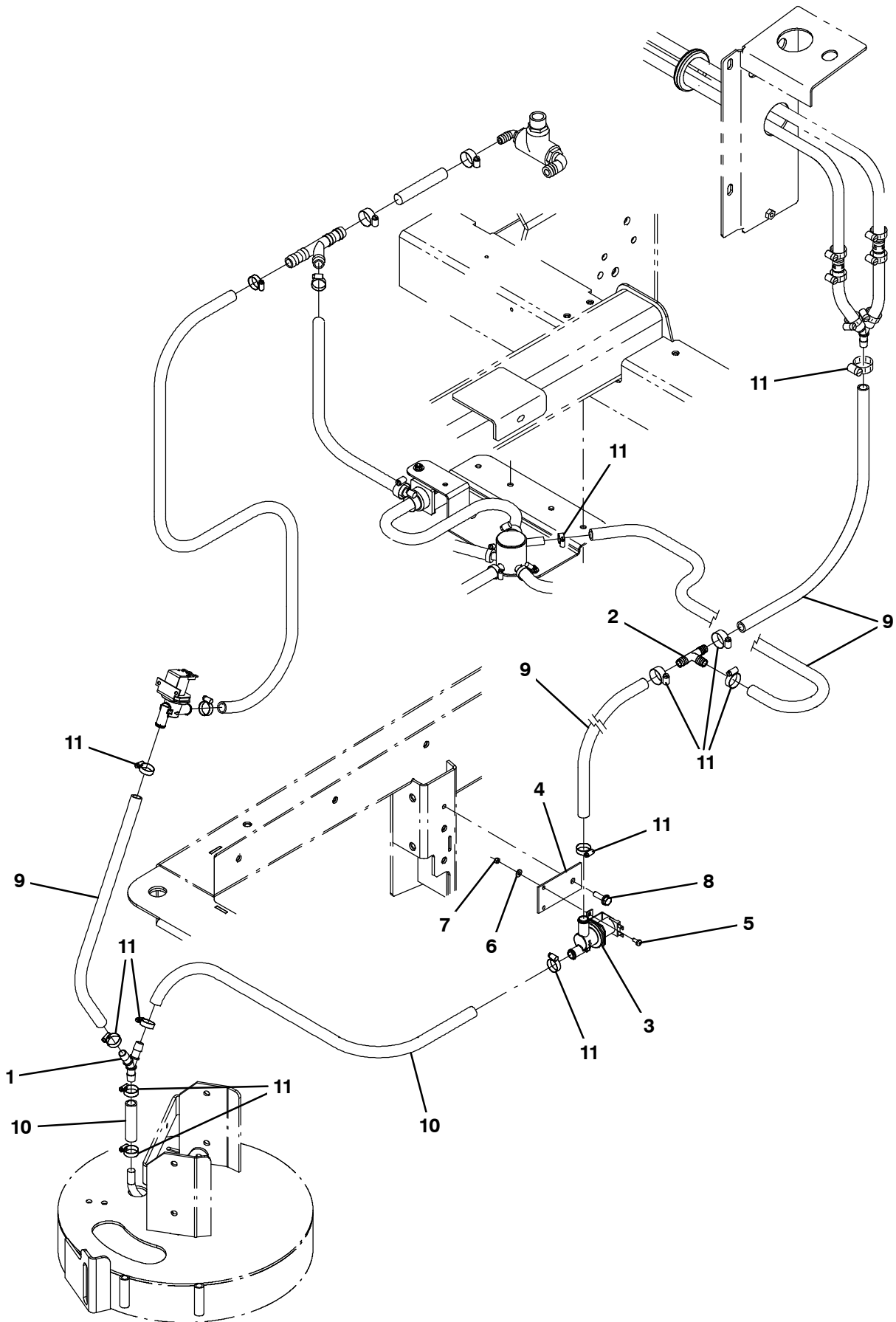
Fig. 18 - FaST Solution Supply Group, Disk Scrub Head (001743- )



**Fig. 18 - FaST Solution Supply Group, Disk Scrub Head (001743- )**

<b>Ref.</b>	<b>Part No.</b>	<b>Serial Number</b>	<b>Description</b>	<b>Qty.</b>
1	1011412	(001743-	) Hose, Afmkt, Pvc, Brd, 0.50id, 08ft, Clr	1
2	54333	(001743-	) Clamp, Hose, Wormdrive, 0.31-0.88d, .31w	2
3	1015045	(001743-	) Hose, Afmkt, Pvc, Brd, 0.75id, 08ft, Clr	1
4	63810	(001743-	) Clamp, Hose, Wormdrive, 0.56-1.06d, .56w	4

**Fig. 19 - FaST Solution Supply Group with Side Brush, Disk Scrub Head (001743- )**

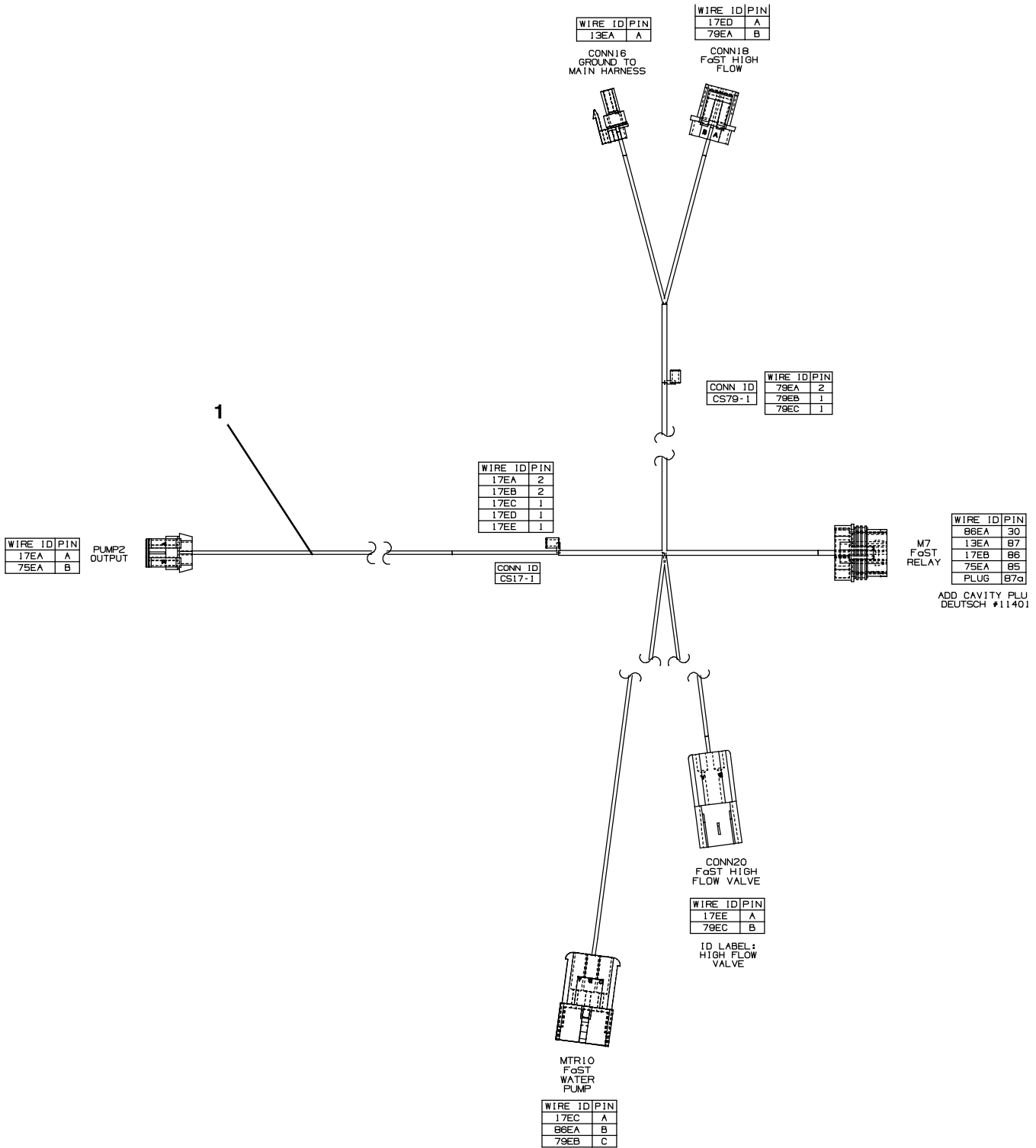




**Fig. 19 - FaST Solution Supply Group with Side Brush, Disk Scrub Head (001743- )**

<b>Ref.</b>	<b>Part No.</b>	<b>Serial Number</b>	<b>Description</b>	<b>Qty.</b>
1	1010668	(001743-	) Fitting, Plstc, Y, Bm08/Bm08/Bm08, Nyl	1
2	63245-1	(001743-	) Fitting, Plstc, Tee, Bm08/Bm08/Bm08	1
3	374704	(001743-	) Valve, Water, Solenoid, 12vdc Bm10/Bm10	1
4	1030511	(001743-	) Plate, Mtg, Valve	11
5	09200	(001743-	) Screw, Pan, Phl, M5 X 0.80 X 12, Ss	2
6	01683	(001743-	) Washer, Flat, 10, Ss	2
7	09739	(001743-	) Nut, Hex, Lock, M5 X 0.80, NI, Ss	2
8	76099	(001743-	) Screw, Hex, M8 X 1.25 X 25, Fmg	1
9	1011412	(001743-	) Hose, Afmkt, Pvc, Brd, 0.50id, 08ft, Clr	1
10	1015067	(001743-	) Hose, Afmkt, Pvc, Clr, 0.50id, 08ft	1
11	54333	(001743-	) Clamp, Hose, Wormdrive, 0.31-0.88d, .31w	11

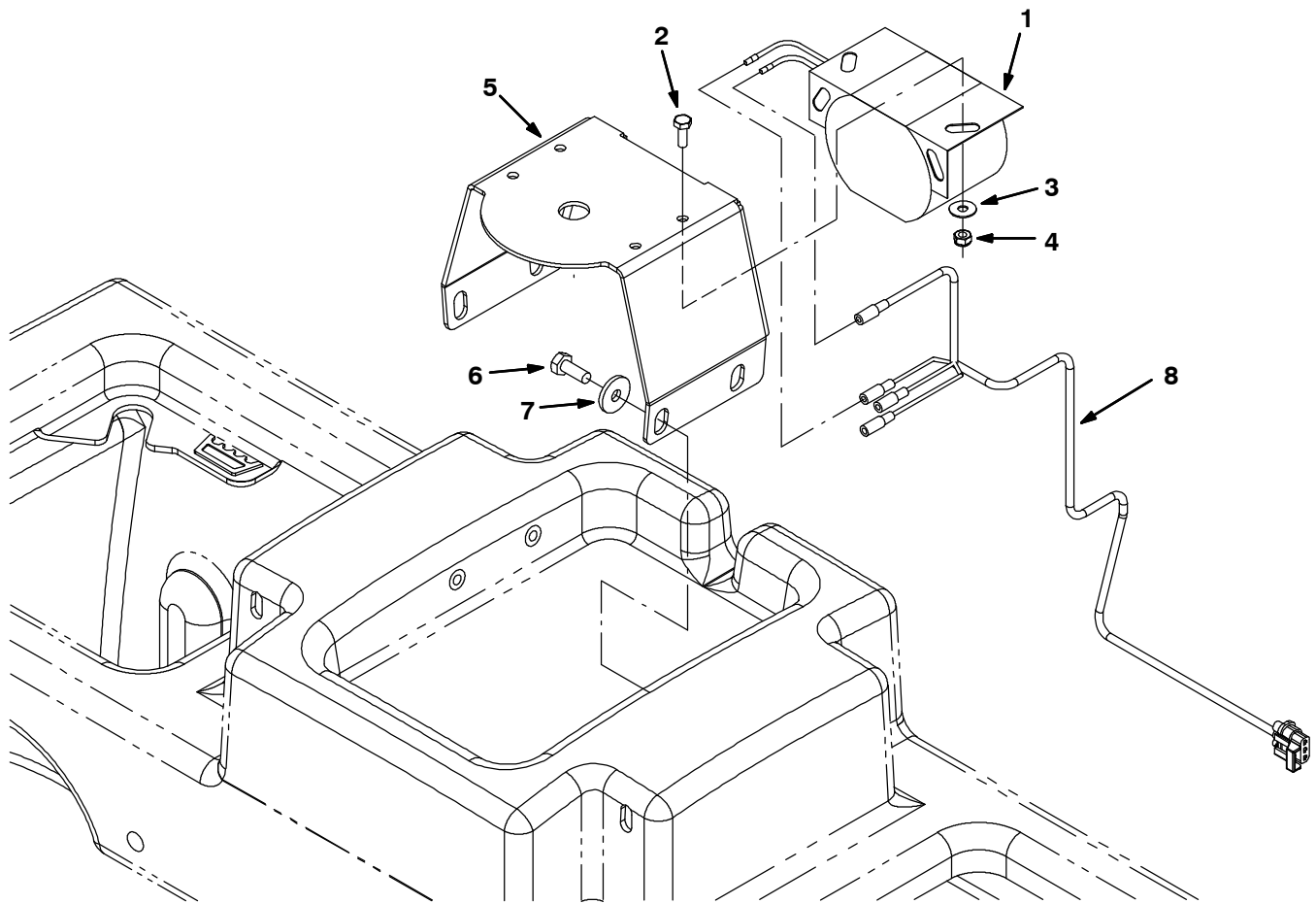
Fig. 20 - Fast Wire Harness Group (001743- )



354724

Ref.	Part No.	Serial Number	Description	Qty.
1	1037809	(001743- )	Harness, Wire [Fast Gen 2]	1

Fig. 21 - Backup Alarm Kit



354473

Ref.	Part No.	Serial Number	Description	Qty.
▽	9001321	(000000-	) Alarm Kit, Backup, Ci [M20 And T20]	1
▲	1 61920	(000000-	) Alarm Assy, Backup, 12-24vdc 82-107dba	1
▲	2 24196	(000000-	) Screw, Pan, Phl, M5 X 0.80 X 20, Ss	2
▲	3 19066	(000000-	) Washer, Flat, 10	2
▲	4 09739	(000000-	) Nut, Hex, Lock, M5 X 0.80, NI, Ss	2
▲	5 1019445	(000000-	) Bracket, Sppt, Revl Light	1
▲	6 09740	(000000-	) Screw, Hex, M8 X 1.25 X 20, Ss	4
▲	7 1017218	(000000-	) Washer, Flat, 0.32b 1.00d .12, Ss	4
▲	8 1019971	(000000-	) Harness, Warning / Backup [M20 & T20]	1

Fig. 22 - Light Kit, Flashing

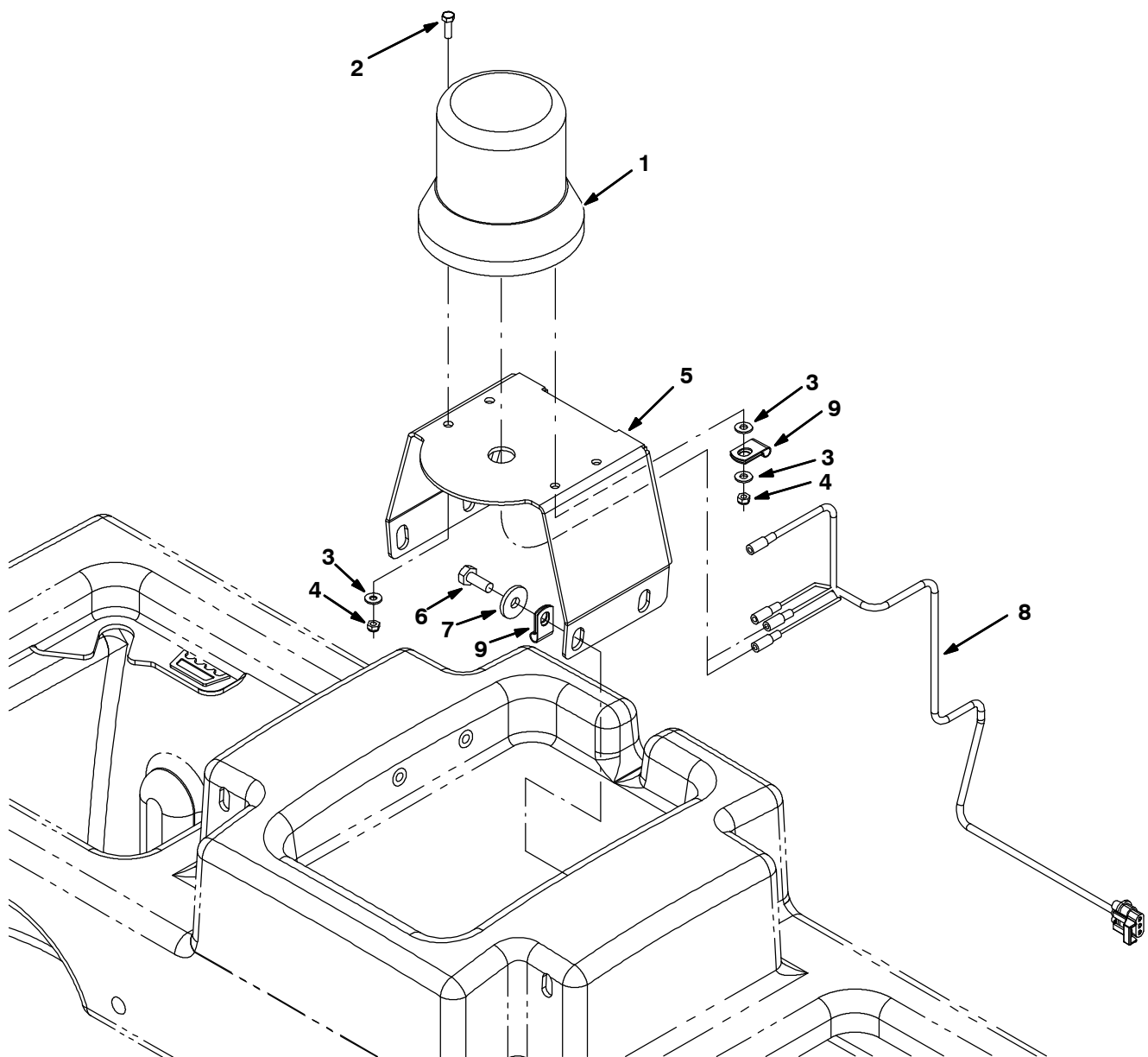
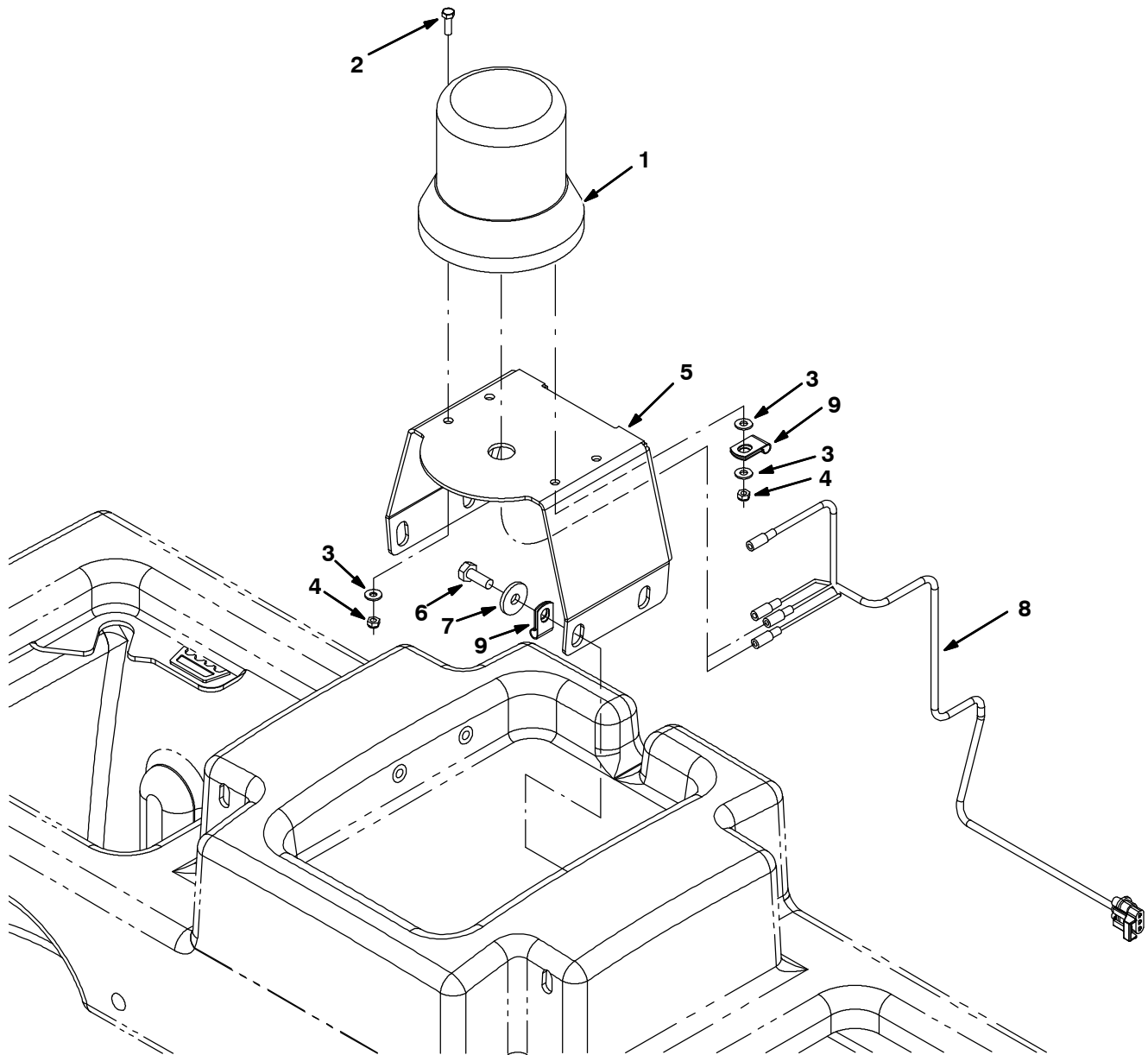


Fig. 22 - Light Kit, Flashing

Ref.	Part No.	Serial Number	Description	Qty.
▽	9001327	(000000-	) Light Kit, Flsh, Ci [M20 And T20]	1
▲▽	1 1017248	(000000-	) Lamp, Flasher, Amb [12-48 Vdc]	1
▲▲	9000879	(000000-	) Lens, Lamp, Amb, Strobe/Flasher	1
▲▲	9000845	(000000-	) Lamp, Bulb, Lamp, Flsh	1
▲▲	1027800	(000000-	) Lens, Blue, Option, F/ Revl / Flsh Light	1
▲▲	1027798	(000000-	) Lens, Red, Option, F/ Revl / Flsh Light	1
▲	55272	(000000-	) Terminal, Bullet, Mal, .157d, 12ga	2
▲	2 24196	(000000-	) Screw, Pan, Phl, M5 X 0.80 X 20, Ss	2
▲	3 19066	(000000-	) Washer, Flat, 10	2
▲	4 09739	(000000-	) Nut, Hex, Lock, M5 X 0.80, NI, Ss	2
▲	5 1019445	(000000-	) Bracket, Sppt, Revl Light	1
▲	6 09740	(000000-	) Screw, Hex, M8 X 1.25 X 20, Ss	4
▲	7 1017218	(000000-	) Washer, Flat, 0.32b 1.00d .12, Ss	4
▲	8 1019971	(000000-	) Harness, Warning / Backup [M20 & T20]	1
▲	9 46236	(000000-	) Clamp, Cable, Stl, 0.25D X 0.56W, 1Hole	2

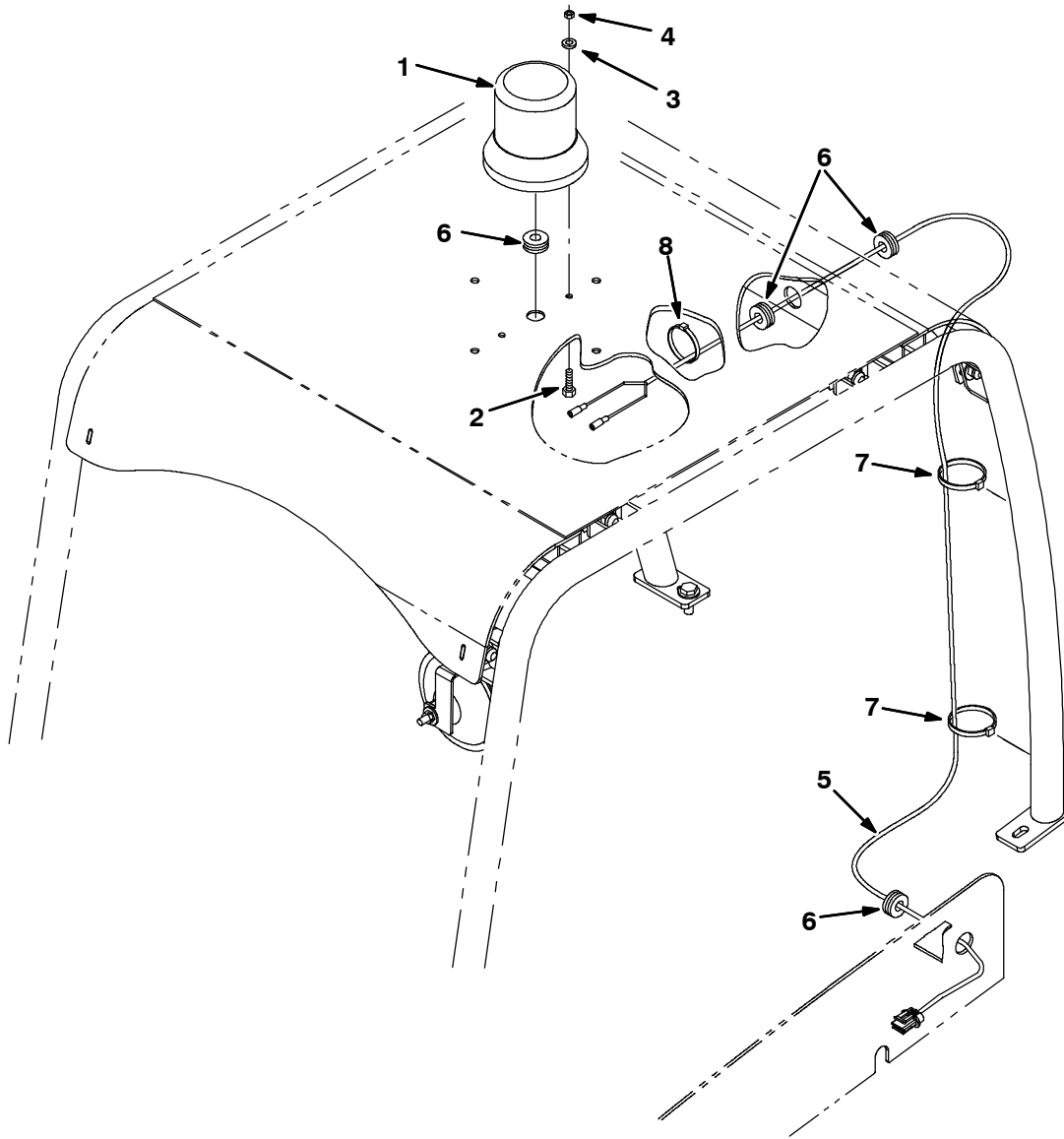
Fig. 23 - Light Kit, Revolving



**Fig. 23 - Light Kit, Revolving**

	<b>Ref.</b>	<b>Part No.</b>	<b>Serial Number</b>	<b>Description</b>	<b>Qty.</b>
▽		9001331	(000000-	) Light Kit, Revl, Ci [M20 And T20]	1
▲▽	1	1017250	(000000-	) Lamp Strobe, Amb [12-48 Vdc]	1
▲▲		9000879	(000000-	) Lens, Lamp, Amb, Strobe/Flasher	1
▲▲		9000846	(000000-	) Lamp, Bulb, Lamp, Strobe	1
▲▲		1027800	(000000-	) Lens, Blue, Option, F/ Revl / Flsh Light	1
▲▲		1027798	(000000-	) Lens, Red, Option, F/ Revl / Flsh Light	1
▲		55272	(000000-	) Terminal, Bullet, Mal, .157d, 12ga	2
▲	2	24196	(000000-	) Screw, Pan, Phl, M5 X 0.80 X 20, Ss	2
▲	3	19066	(000000-	) Washer, Flat, 10	2
▲	4	09739	(000000-	) Nut, Hex, Lock, M5 X 0.80, NI, Ss	2
▲	5	1019445	(000000-	) Bracket, Sppt, Revl Light	1
▲	6	09740	(000000-	) Screw, Hex, M8 X 1.25 X 20, Ss	4
▲	7	1017218	(000000-	) Washer, Flat, 0.32b 1.00d .12, Ss	4
▲	8	1019971	(000000-	) Harness, Warning / Backup [M20 & T20]	1
▲	9	46236	(000000-	) Clamp, Cable, Stl, 0.25D X 0.56W, 1Hole	2

**Fig. 24 - Light Kit, Flashing Overhead Guard**

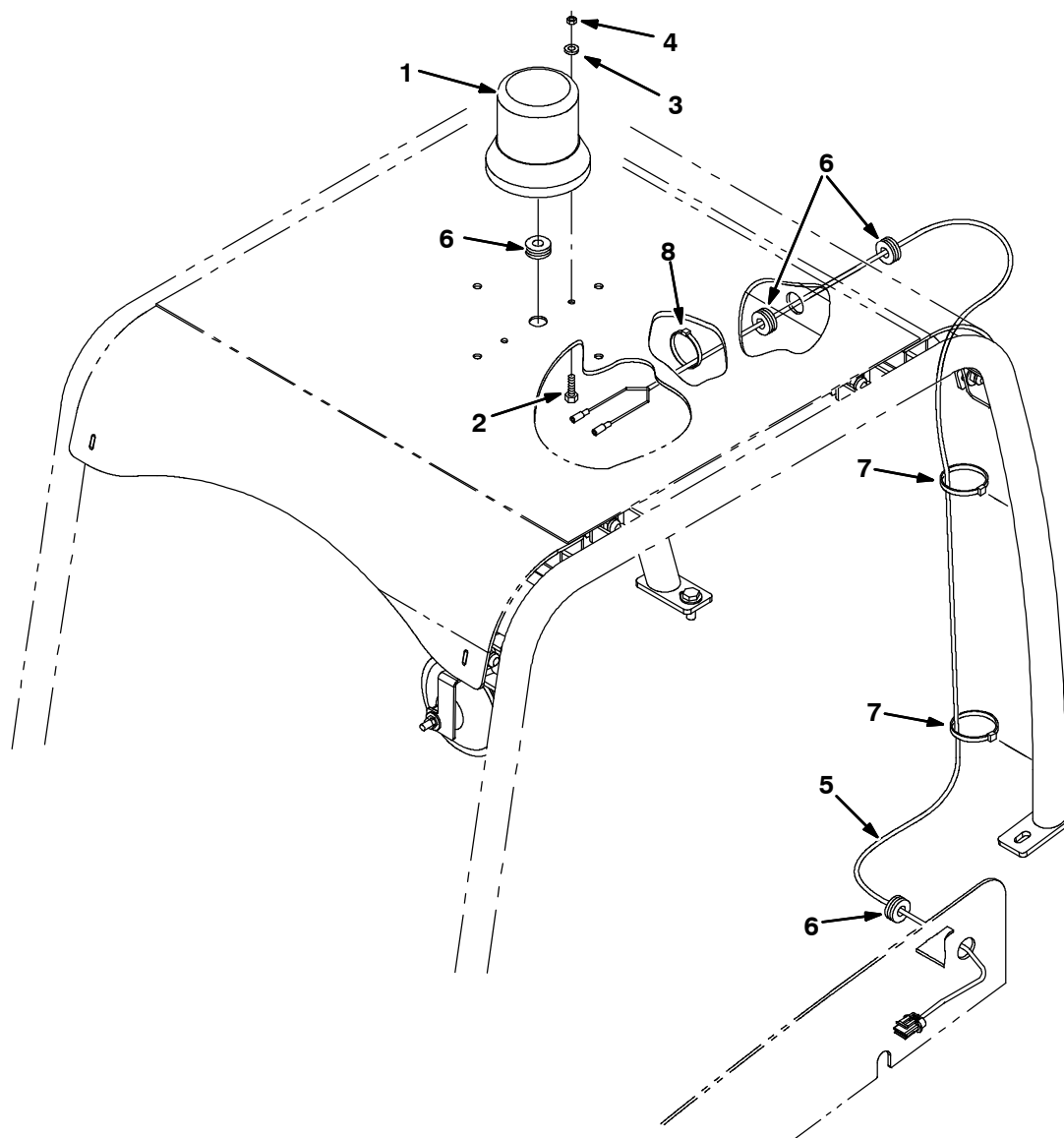


354477

Ref.	Part No.	Serial Number	Description	Qty.
▽	9001718	(000000-	) Light Kit, Flsh, W/Ohg, Ci[M20 And T20]	1
▲▽	1 1017248	(000000-	) Lamp, Flasher, Amb [12-48 Vdc]	1
▲▲	9000879	(000000-	) Lens, Lamp, Amb, Strobe/Flasher	1
▲▲	9000845	(000000-	) Lamp, Bulb, Lamp, Flsh	1
▲▲	1027800	(000000-	) Lens, Blue, Option, F/ Revl / Flsh Light	1
▲▲	1027798	(000000-	) Lens, Red, Option, F/ Revl / Flsh Light	1
▲	55272	(000000-	) Terminal, Bullet, Mal, .157d, 12ga	2
▲	2 24196	(000000-	) Screw, Pan, Phl, M5 X 0.80 X 20, Ss	2
▲	3 19066	(000000-	) Washer, Flat, 10	2
▲	4 09739	(000000-	) Nut, Hex, Lock, M5 X 0.80, NI, Ss	2
▲	5 1019647	(000000-	) Harness, Warning / Ohg [M20]	1
▲	6 10632-17	(000000-	) Grommet, Rbr, 0.50id, F/0.8h, .12 Matl	4
▲	7 763115	(000000-	) Tie, Cable, 6.0l, 1.25d Max	4
▲	8 49266	(000000-	) Tie, Cable, Nyl, 07.3l .19w 1.8 Max D	2



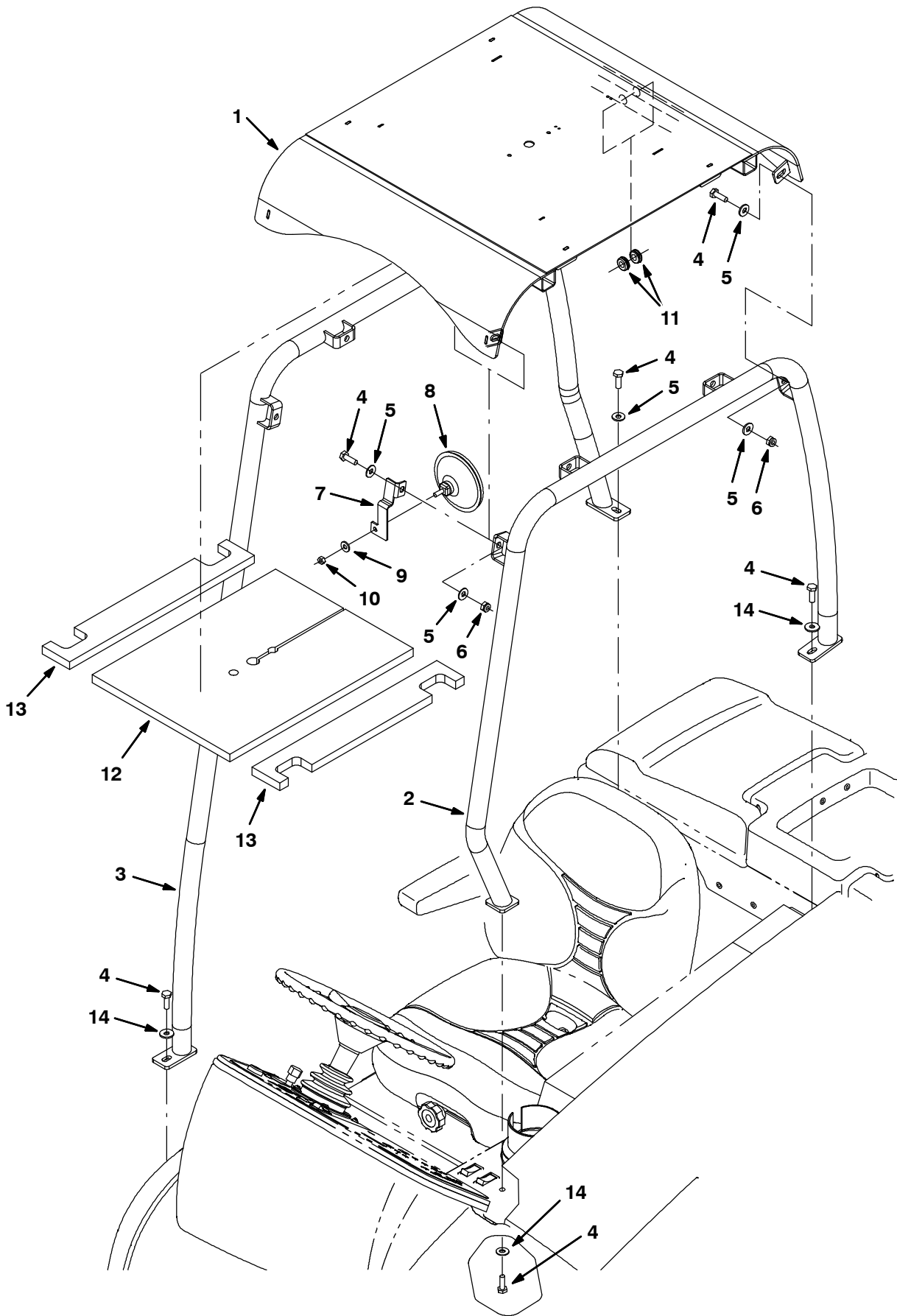
Fig. 25 - Light Kit, Revolving Overhead Guard



354477

Ref.	Part No.	Serial Number	Description	Qty.
▽	9001717	(000000-	) Light Kit, Revl, W/Ohg, Ci [M20 And T20]	1
▲▽	1 1017250	(000000-	) Lamp Strobe, Amb [12-48 Vdc]	1
▲▲	9000879	(000000-	) Lens, Lamp, Amb, Strobe/Flasher	1
▲▲	9000846	(000000-	) Lamp, Bulb, Lamp, Strobe	1
▲▲	1027800	(000000-	) Lens, Blue, Option, F/ Revl / Flsh Light	1
▲▲	1027798	(000000-	) Lens, Red, Option, F/ Revl / Flsh Light	1
▲	55272	(000000-	) Terminal, Bullet, Mal, .157d, 12ga	2
▲	2 24196	(000000-	) Screw, Pan, Phl, M5 X 0.80 X 20, Ss	2
▲	3 19066	(000000-	) Washer, Flat, 10	2
▲	4 09739	(000000-	) Nut, Hex, Lock, M5 X 0.80, NI, Ss	2
▲	5 1019647	(000000-	) Harness, Warning / Ohg [M20]	1
▲	6 10632-17	(000000-	) Grommet, Rbr, 0.50id, F/0.8h, .12 Matl	4
▲	7 763115	(000000-	) Tie, Cable, 6.0l, 1.25d Max	4
▲	8 49266	(000000-	) Tie, Cable, Nyl, 07.3l .19w 1.8 Max D	2

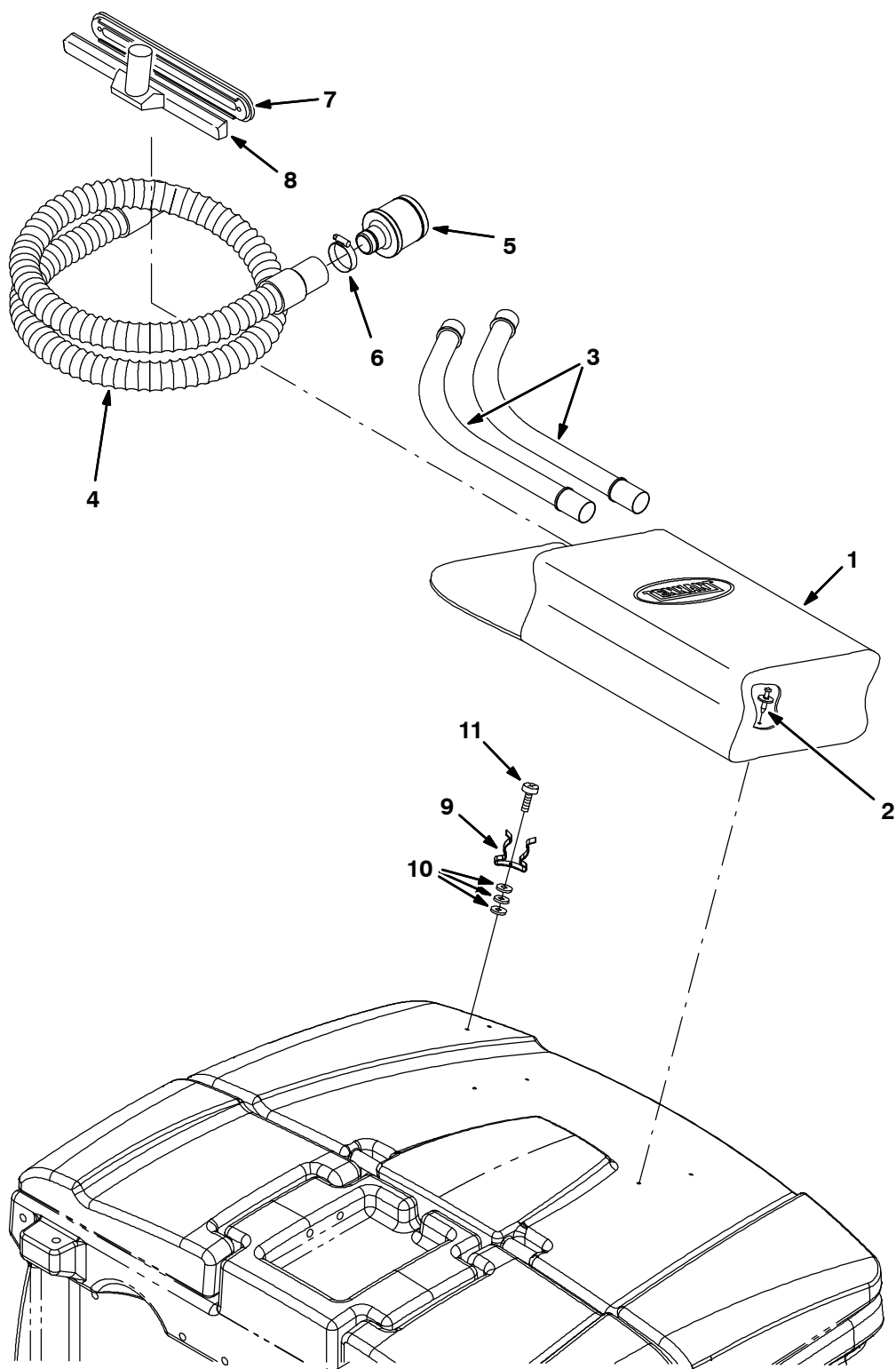
Fig. 26 - Overhead Guard Kit



**Fig. 26 - Overhead Guard Kit**

	<b>Ref.</b>	<b>Part No.</b>	<b>Serial Number</b>	<b>Description</b>	<b>Qty.</b>
▽		9001314	(000000-	) Ohg Kit, Ci [M20 And T20]	1
▲	1	1022276	(000000-	) Guard Wldt, Top, Ohg	1
▲	2	1022265	(000000-	) Tube Wldt, Leg, Ohg, Lh, Pntd	1
▲	3	1022266	(000000-	) Tube Wldt, Leg, Ohg, Rh, Pntd	1
▲	4	03192	(000000-	) Screw, Hex, M10 X 1.5 X 30, 8.8	12
▲	5	32492	(000000-	) Washer, Flat, 0.38 Std	17
▲	6	41430	(000000-	) Nut, Hex, Lock, M10 X 1.5, NI	8
▲	7	1023879	(000000-	) Bracket, Mtg, Mirror, Rearview	1
▲	8	1050295	(000000-	) Mirror, Convex, 0.50D	1
▲	9	32491	(000000-	) Washer, Flat, 0.31, Std	1
▲	10	19313	(000000-	) Nut, Hex, Std, .31-18	1
▲	11	10632-17	(000000-	) Grommet, Rbr, 0.50id, F/0.8h, .12 Matl	2
▲	12	1032830	(000000-	) Insulation	1
▲	13	1032831	(000000-	) Insulation	2
▲	14	1014563	(000000-	) Washer, Flat, 0.40b 1.12d .12, Ss	3

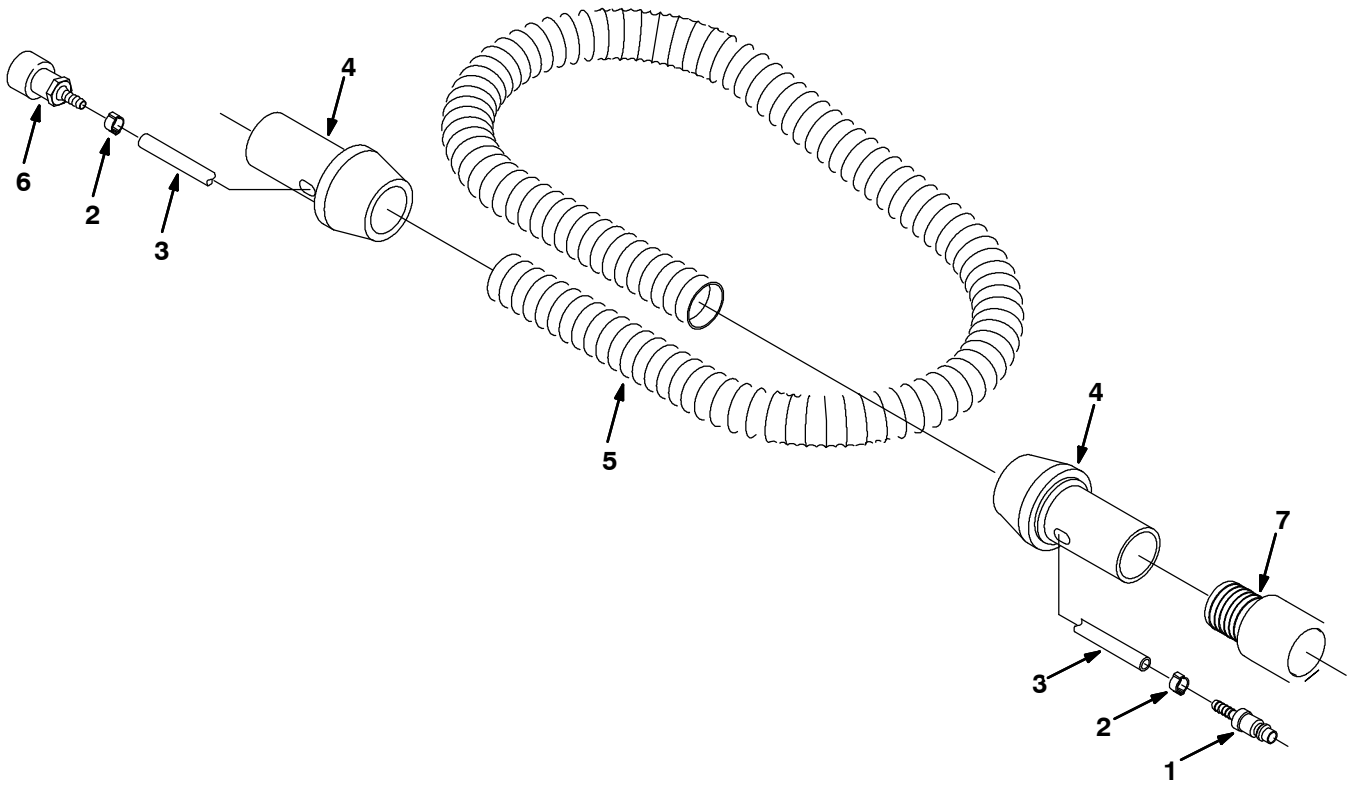
Fig. 27 - Vacuum Wand Kit



**Fig. 27 - Vacuum Wand Kit**

	<b>Ref.</b>	<b>Part No.</b>	<b>Serial Number</b>	<b>Description</b>	<b>Qty.</b>
▽		9003134	(000000-	) Wand Kit, Vac, Sqge, Ci [T20]	1
▲	1	65580	(000000-	) Bag, Power	1
▲	2	72968	(000000-	) Rivet, Plstc, .250 X 0.898	4
▲	3	63448	(000000-	) Tube, Wand, Vacuum, Metal [1pick=1box]	1
▲	4	86767	(000000-	) Hose Assy, W/2cuff, 1.5d 90l 1.5/1.5	1
▲	5	1029396	(000000-	) Fitting, Alm, Str, Bm24/Bm48	1
▲	6	11531	(000000-	) Clamp, Hose, Wormdrive, 1.06-2.00d, .56w	1
▲	7	63430	(000000-	) Shoe, Plstc, Sqge, 14.0	1
▲	8	63451	(000000-	) Nozzle, Wand, Plstc, 14.0lg	1
▲	9	67004	(000000-	) Clip, Grip, Finger, 1.00-1.88d White,Vyl	2
▲	10	19064	(000000-	) Washer, Flat, #06	6
▲	11	55845	(000000-	) Screw, Hex, M5 X 0.8 X 16, Fmg	2

Fig. 28 - Power Wand Hose Assembly



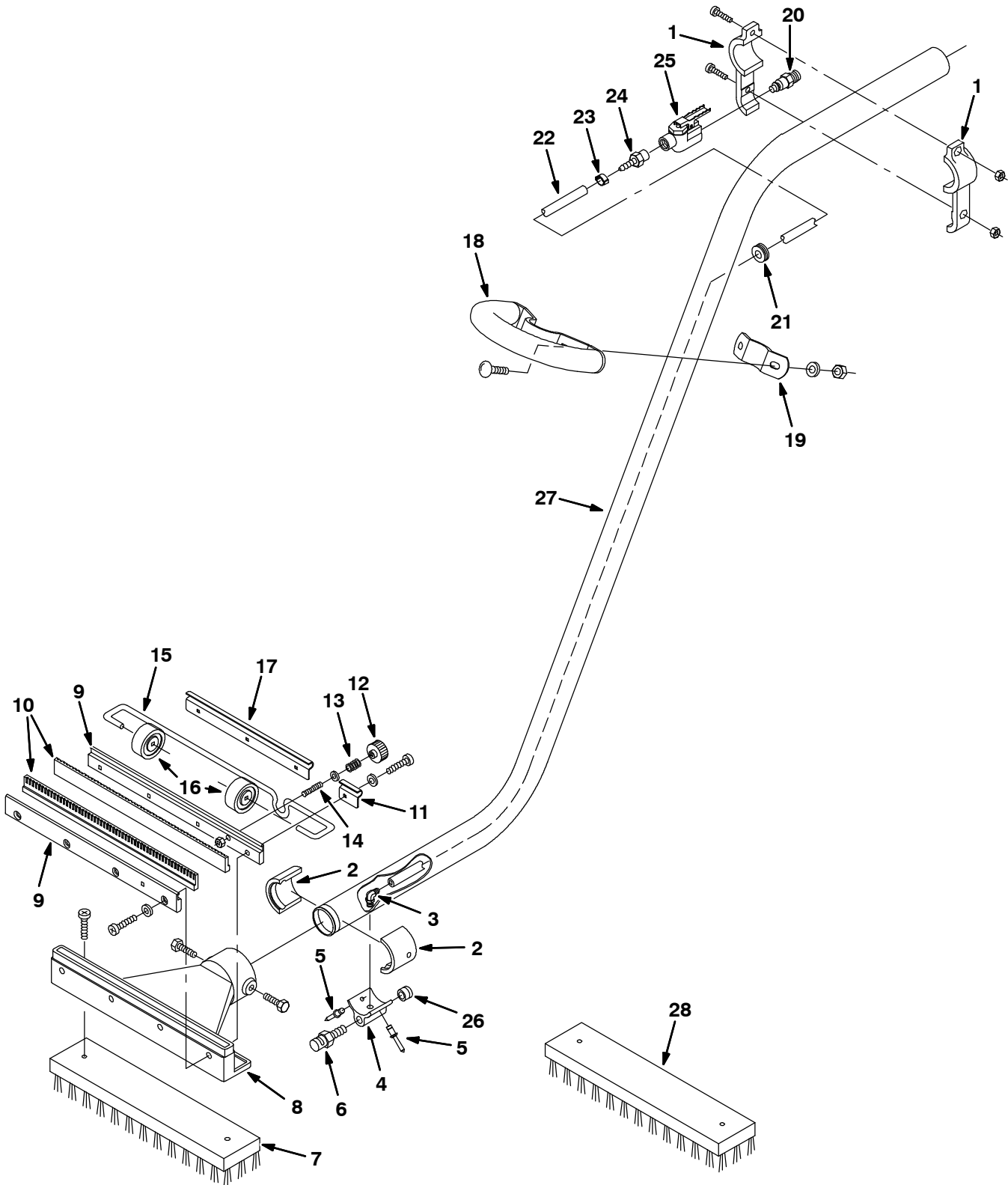
**Fig. 28 - Power Wand Hose Assembly**

NOTE: Power Wand Kit, Tennant Part Number 9003138, includes; Fig. 28, Fig. 29, and Fig. 30.

NOTE: Power Wand Kit with spray nozzle, Tennant Part Number 9003137, includes; Fig. 28, Fig. 29, and Fig. 31.

	<b>Tennant</b>	<b>Machine</b>		<b>Description</b>	<b>Qty.</b>
<b>Ref.</b>	<b>Part No.</b>	<b>Serial Number</b>			
▽	65341	(000000-	)	Hose Assy, Wand, Power	1
▲ 1	578318000	(000000-	)	Fitting, Stl, Qdc, Bm04	1
▲ 2	578160000	(000000-	)	Clamp, Hose, Ear, 11-13mm, Ss	2
▲ 3	578820000	(000000-	)	Hose, Pvc, Brd, 0.25id 0.44od 157.2l,Clr	1
▲ 4	578072000	(000000-	)	Cuff, Swivel, 1.5 Blk	2
▲ 5	578276000	(000000-	)	Hose, Vacuum, 1.50id X 10ft, Gray	1
▲ 6	578071000	(000000-	)	Fitting, Brs, Qdc, Bm04/Pf04	1
7	1029396	(000000-	)	Fitting, Alm, Str, Bm24/Bm48	1

Fig. 29 - Power Wand Assembly





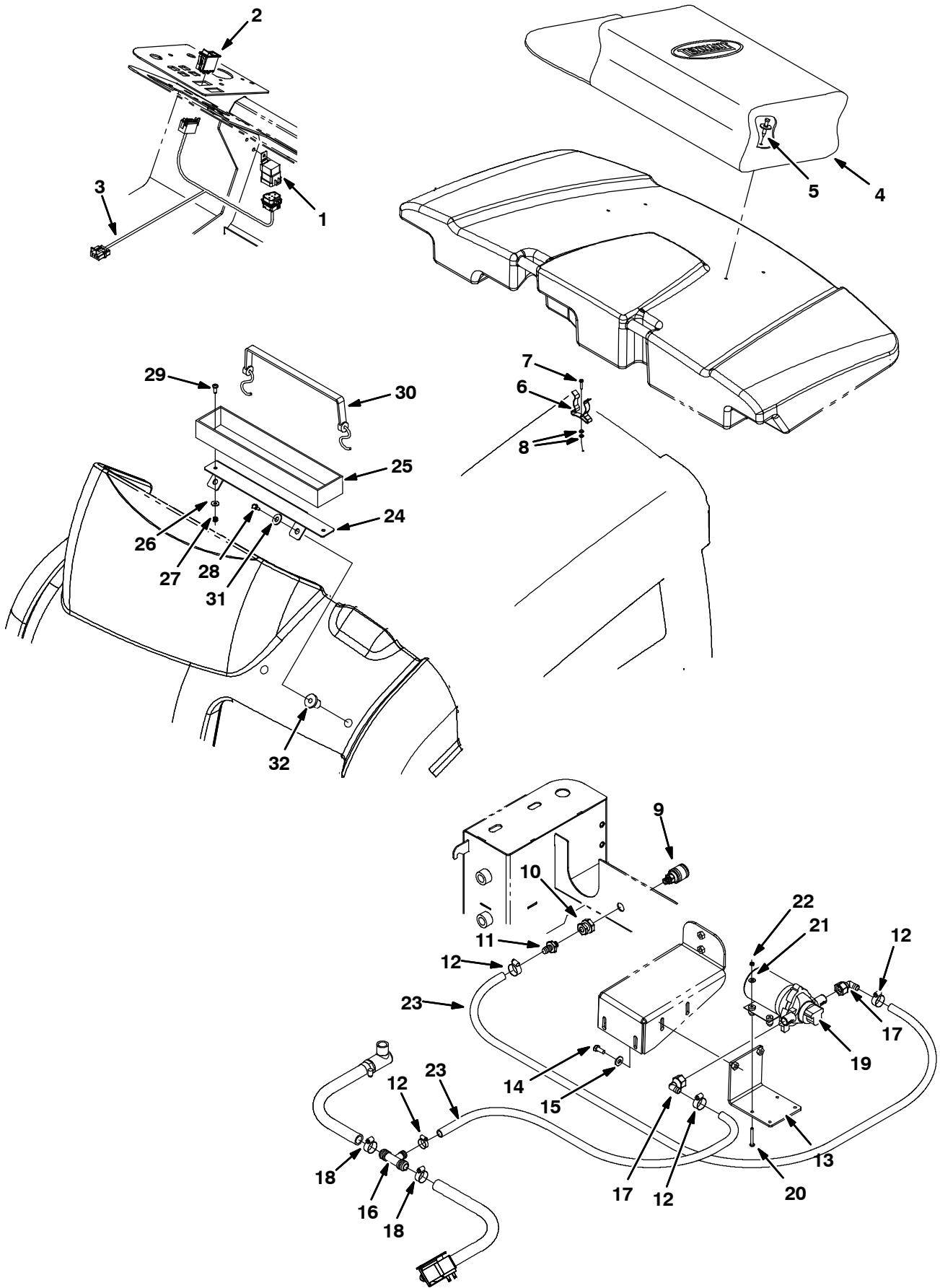
**Fig. 29 - Power Wand Assembly**

NOTE: Power Wand Kit, Tennant Part Number 9003138, includes; Fig. 28, Fig. 29, and Fig. 30.

NOTE: Power Wand Kit with spray nozzle, Tennant Part Number 9003137, includes; Fig. 28, Fig. 29, and Fig. 31.

Ref.	Tennant Part No.	Machine Serial Number	Description	Qty.
▽	65340	(000000-	) Wand Assy, Power	1
▲ 1	578077000	(000000-	) Bracket, Wand, Valve Mtg	1
▲ 2	578061000	(000000-	) Adapter, Head / Wand [17b/E]	2
▲ 3	578214000	(000000-	) Fitting, Plstc, E90, Bm04/Pm02	1
▲ 4	579112	(000000-	) Fitting Spray Nozzle Adapter	1
▲ 5	602036000	(000000-	) Rivet, Blind [S2500 Drvblock]	2
▲ 6	578066000	(000000-	) Fitting, Brs, Tip [75, .125k-Jet]	1
▲ 7	65610	(000000-	) Brush, Power Wand, W/ Fastener, Pyp	1
▲ 8	578063000	(000000-	) Head, Wand [17b/E]	1
▲ 9	578078000	(000000-	) Retainer, Sqge, Wand [17b/E]	2
▲ 10	578074000	(000000-	) Blade, Sqge, 300.8mml, Wand [17b/E, G]	2
▲ 11	578124000	(000000-	) Bracket, Axle, 1 Hole [17b/E]	1
▲ 12	578439	(000000-	) Nut, Thumb, M6 X 1.0, 30d	1
▲ 13	578228000	(000000-	) Spring, Cmpr, 0.40od .04wir 00.6l, Ss	1
▲ 14	578143000	(000000-	) Screw, Set, M6 X 1.00 X 40, Ss [Cuppt]	1
▲ 15	578126000	(000000-	) Axle, Wand [17b/E]	1
▲ 16	578125000	(000000-	) Wheel, 41.3d 19.1w, Rbr	2
▲ 17	578123000	(000000-	) Bracket, Axle, 3 Hole [17b/E]	1
▲ 18	578155000	(000000-	) Handle Wldt, Wand	1
▲ 19	578154000	(000000-	) Bracket, Wand, Handle	1
▲ 20	578091000	(000000-	) Fitting, Brs, Qdc, Pm04, Plug	1
▲ 21	578164000	(000000-	) Grommet, 0.38id, F/0.6h, .06 Matl	1
▲ 22	578821000	(000000-	) Hose, Pyu, 0.25id 0.38od 1220mml, Blk	1
▲ 23	578161000	(000000-	) Clamp, Hose, Ear, 8-11mm, Ss	2
▲ 24	578094000	(000000-	) Fitting, Nyl, Str, Bm04/Pm04	1
▲ 25	578064000	(000000-	) Valve, Cntrl, Water	1
▲ 26	150208	(000000-	) Fitting, Brs, Str, Pm02, Plug [Skhd]	1
▲ 27	578060000	(000000-	) Wand, Dbl Bend, 38.1mmd	1
▲ 28	65582	(000000-	) Brush, Power Wand, W/ Fastener, Abr	1

Fig. 30 - Power Wand Pump and Mount Group

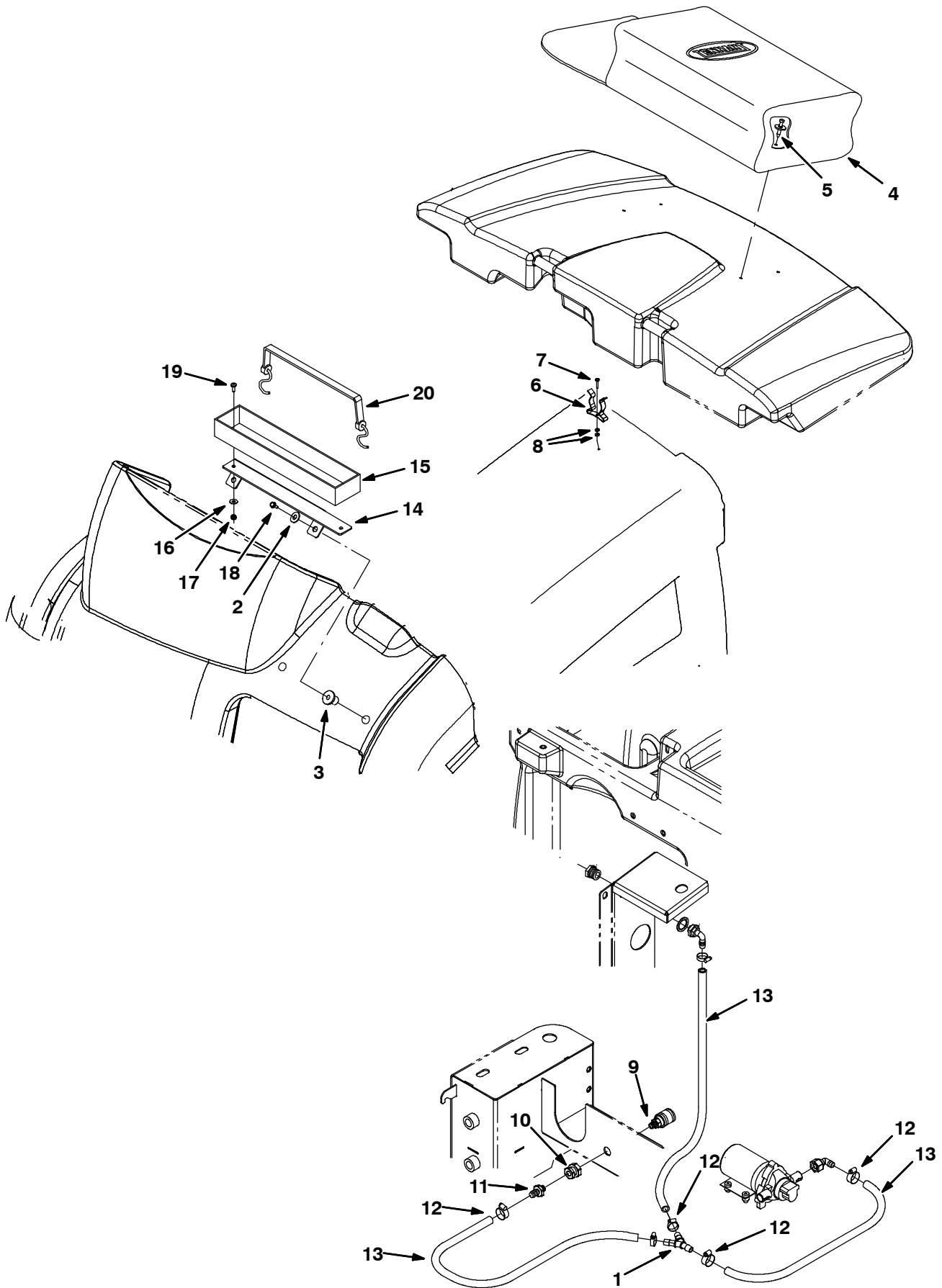


**Fig. 30 - Power Wand Pump and Mount Group**

NOTE: Power Wand Kit, Tennant Part Number 9003138, includes; Fig. 28, Fig. 29, and Fig. 30.

Ref.	Part No.	Serial Number	Description	Qty.
1	56186	(000000-	) Relay, 12vdc, 040a, Spdt No	1
2	398500	(000000-	) Switch, Rocker, Dpdt, On / None / On	1
3	1021881	(000000-	) Harness, Spray, Nozzle	1
4	65580	(000000-	) Bag, Power	1
5	72968	(000000-	) Rivet, Plstc, .250d X 0.90	4
6	67004	(000000-	) Clip, Grip, Finger, 1.00-1.88d White,Vyl	1
7	09228	(000000-	) Screw, Hex, M4 X 0.7 X 20, 8.8	1
8	19064	(000000-	) Washer, Flat, #06	2
9	65342	(000000-	) Fitting, Brs, Qdc, Pm04/Qf06	1
10	78122	(000000-	) Fitting, Brs, Str, Pf04/Pf04, Bh	1
11	48610	(000000-	) Fitting, Plstc, Str, Bm08/Pm04	1
12	54333	(000000-	) Clamp, Hose, Wormdrive, 0.31-0.88d, .31w	4
13	1023585	(000000-	) Bracket, Mtg, Pump	1
14	09740	(000000-	) Screw, Hex, M8 X 1.25 X 20, Ss	2
15	32491	(000000-	) Washer, Flat, 0.31, Std	2
16	385644	(000000-	) Fitting, Plstc, Tee, Bm08/Bm12/Bm12, Br	1
17	1018499	(000000-	) Fitting, Plstc, E90, Bm08/Pf08s, Swivel	2
18	63810	(000000-	) Clamp, Hose, Wormdrive, 0.56-1.06d, .56w	2
19	1026743	(000000-	) Pump, Diaphragm	1
20	06939	(000000-	) Screw, Pan, M5 X 0.80 X 45, 4.8	4
21	19066	(000000-	) Washer, Flat, #10	4
22	06549	(000000-	) Nut, Hex, Lock, M5 X 0.80, NI	4
23	1011837	(000000-	) Hose, Afmkt, Pvc, Brd, 0.50id, 12ft, Clr	1
24	1030407	(000000-	) Bracket, Mtg, Wand	1
25	61212	(000000-	) Tray	1
26	01684	(000000-	) Washer,Flat 0.25, Ss	2
27	08712	(000000-	) Nut, Hex, Lock, M6 X 1.00, Ss, NI	2
28	21198	(000000-	) Screw, Hex, .38-16 X 1.25, G5	2
29	367770	(000000-	) Screw, Pan, M6 X 1.0 X 16, Ss	2
30	57769	(000000-	) Strap, Rbr, 13.2l [2/S Hooks]	1
31	32492	(000000-	) Washer, Flat, 0.38, Std	2
32	397648	(000000-	) Nut, Isolator, .38-16 Wall Th .015-.437	2

Fig. 31 - Power Wand Pump and Mount Group with Spray Nozzle



**Fig. 31 - Power Wand Pump and Mount Group with Spray Nozzle**

*NOTE: Power Wand Kit with spray nozzle, Tennant Part Number 9003137, includes; Fig. 28, Fig. 29, and Fig. 31.*

<b>Ref.</b>	<b>Part No.</b>	<b>Serial Number</b>	<b>Description</b>	<b>Qty.</b>
1	1010668	(000000-	) Fitting, Plstc, Y, Bm08/Bm08/Bm08, Nyl	1
2	32492	(000000-	) Washer, Flat, 0.38, Std	2
3	397648	(000000-	) Nut, Isolator, .38-16 Wall Th .015-.437	2
4	65580	(000000-	) Bag, Power	1
5	72968	(000000-	) Rivet, Plstc, .250d X 0.90	4
6	67004	(000000-	) Clip, Grip, Finger, 1.00-1.88d White,Vyl	1
7	09228	(000000-	) Screw, Hex, M4 X 0.7 X 20, 8.8	1
8	19064	(000000-	) Washer, Flat, #06	2
9	65342	(000000-	) Fitting, Brs, Qdc, Pm04/Qf06	1
10	78122	(000000-	) Fitting, Brs, Str, Pf04/Pf04, Bh	1
11	48610	(000000-	) Fitting, Plstc, Str, Bm08/Pm04	1
12	54333	(000000-	) Clamp, Hose, Wormdrive, 0.31-0.88d, .31w	4
13	1011837	(000000-	) Hose, Afmkt, Pvc, Brd, 0.50id, 12ft, Clr	1
14	1030407	(000000-	) Bracket, Mtg, Wand	1
15	61212	(000000-	) Tray	1
16	01684	(000000-	) Washer,Flat 0.25, Ss	2
17	08712	(000000-	) Nut, Hex, Lock, M6 X 1.00, Ss, NI	2
18	21198	(000000-	) Screw, Hex, .38-16 X 1.25, G5	2
19	367770	(000000-	) Screw, Pan, M6 X 1.0 X 16, Ss	2
20	57769	(000000-	) Strap, Rbr, 13.2l [2/S Hooks]	1

Fig. 32 - Spray Nozzle Kit

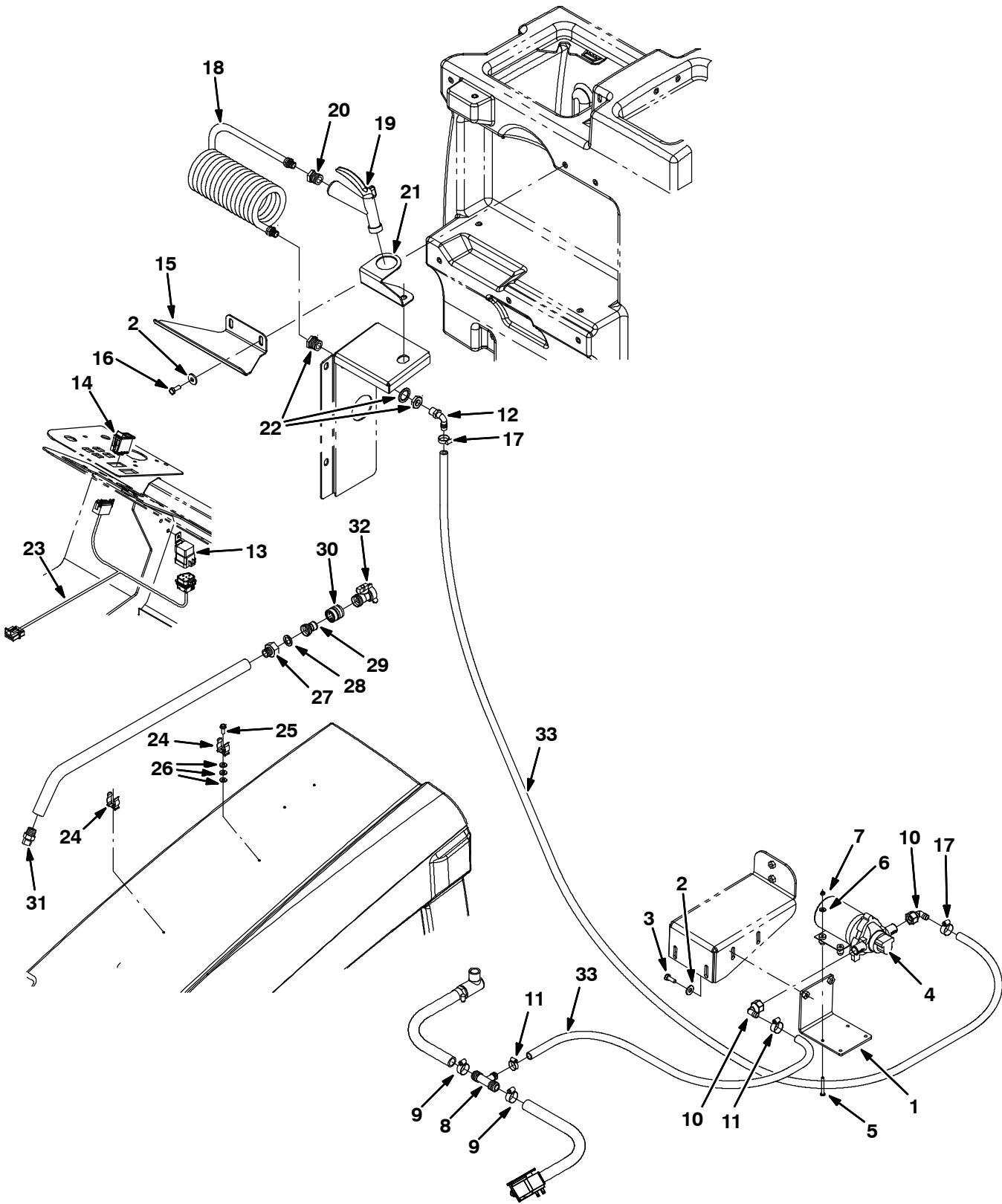


Fig. 32 - Spray Nozzle Kit

Ref.	Part No.	Serial Number	Description	Qty.
▽	9003139	(000000-	) Nozzle kit, Spray, Ci [T20]	1
▲	1 1023585	(000000-	) Bracket, Mtg, Pump	1
▲	2 32491	(000000-	) Washer, Flat, 0.31, Std	2
▲	3 09740	(000000-	) Screw, Hex, M8 X 1.25 X 20, Ss	4
▲	4 1026743	(000000-	) Pump, Diaphragm	1
▲	5 06939	(000000-	) Screw, Pan, M5 X 0.80 X 45, 4.8	4
▲	6 19066	(000000-	) Washer, Flat, #10	4
▲	7 06549	(000000-	) Nut, Hex, Lock, M5 X 0.80, NI	4
▲	8 385644	(000000-	) Fitting, Plstc, Tee, Bm08/Bm12/Bm12, Br	1
▲	9 63810	(000000-	) Clamp, Hose, Wormdrive, 0.56-1.06d, .56w	2
▲	10 1018499	(000000-	) Fitting, Plstc, E90, Bm08/Pf08s, Swivel	1
▲	11 54333	(000000-	) Clamp, Hose, Wormdrive, 0.31-0.88d, .31w	2
▲	12 64778	(000000-	) Fitting, Plstc, E90, Bm08/Pm06	1
▲	13 56186	(000000-	) Relay, 12vdc, 040a, Spdt No	1
▲	14 398500	(000000-	) Switch, Rocker, Dpdt, On / None / On	1
▲	15 1029790	(000000-	) Bracket, Mtg, Spray Wand [Fast, Conv]	1
▲	16 1017218	(000000-	) Washer, Flat, 0.32b 1.00d .12, Ss	2
▲	17 63810	(000000-	) Clamp, Hose, Wormdrive, 0.56-1.06d, .56w	2
▲	18 1019250	(000000-	) Hose, Water, Coil, 0.38id 0.56od	1
▲	19 769785	(000000-	) Nozzle, Spray, Gun	1
▲	20 1027976	(000000-	) Fitting, Brs, Str, Pf06/Pm12	1
▲	21 1027237	(000000-	) Bracket, Mtg, Spray Handle	1
▲	22 1027978	(000000-	) Fitting, Brs, Str, Pf06/Pf06 Bh	1
▲	23 1021881	(000000-	) Harness, Spray, Nozzle	1
▲	24 1029057	(000000-	) Clip, Grip, Finger, .875-1.25	2
▲	25 20394	(000000-	) Screw, Hex, #10-16 X 0.62, Fmg [Ab]	2
▲	26 01683	(000000-	) Washer, Flat, #10, Ss	6
▲	27 375321	(000000-	) Fitting, Brs, Str, Pm08/Garden Hose	1
▲	28 01316	(000000-	) Washer, Flat, 0.66b 1.00d .12, Rbr	1
▲	29 1029153	(000000-	) Fitting, Brs, Spcl [Garden Hose]	1
▲	30 1029155	(000000-	) Coupling, Nozzle, Spray	1
▲	31 1029156	(000000-	) Nozzle	1
▲	32 1029399	(000000-	) Valve, Shutoff	1
▲	33 1011837	(000000-	) Hose, Afmkt, Pvc, Brd, 0.50id, 12ft, Clr	1

Fig. 33 - Spray Nozzle Kit with Power Wand

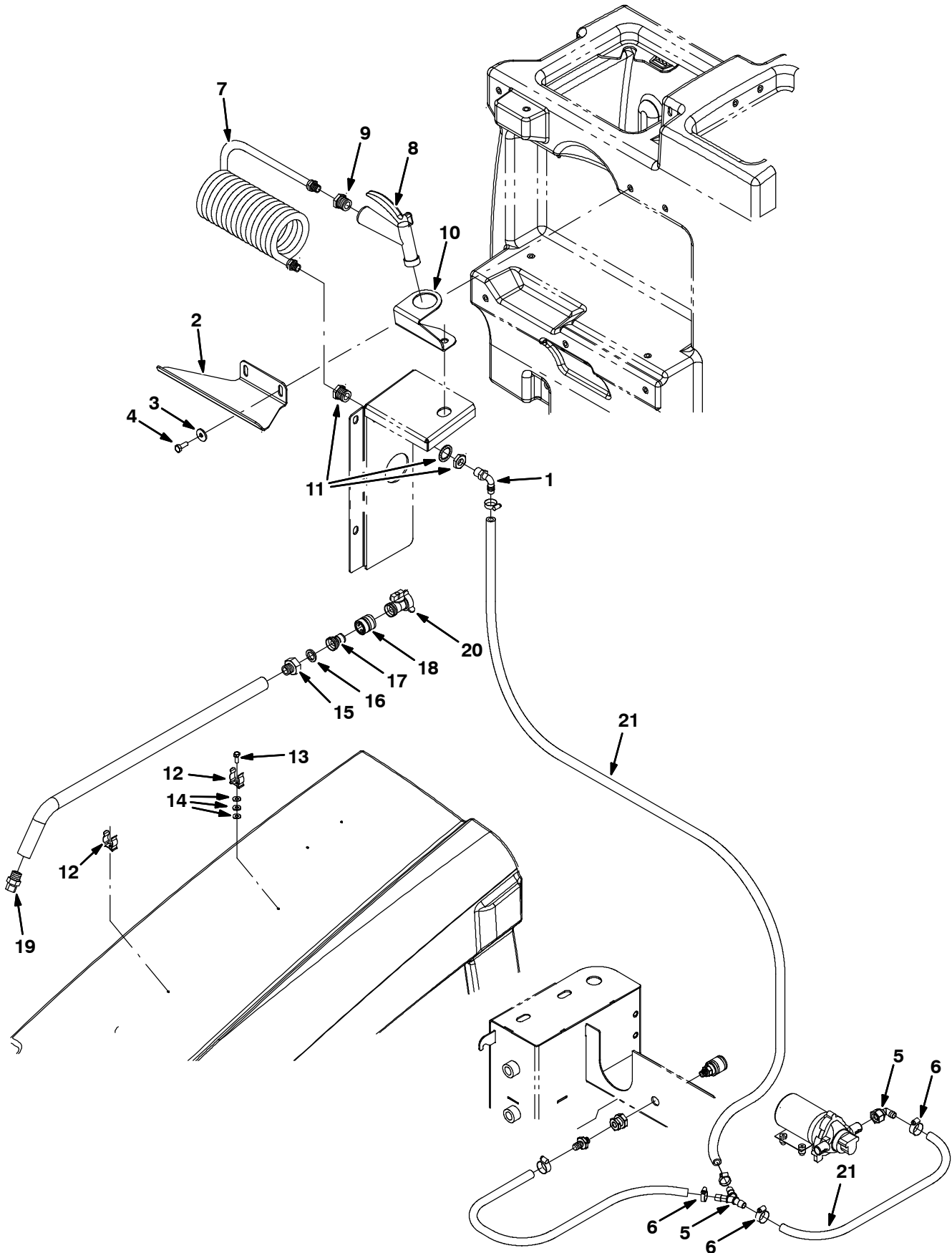
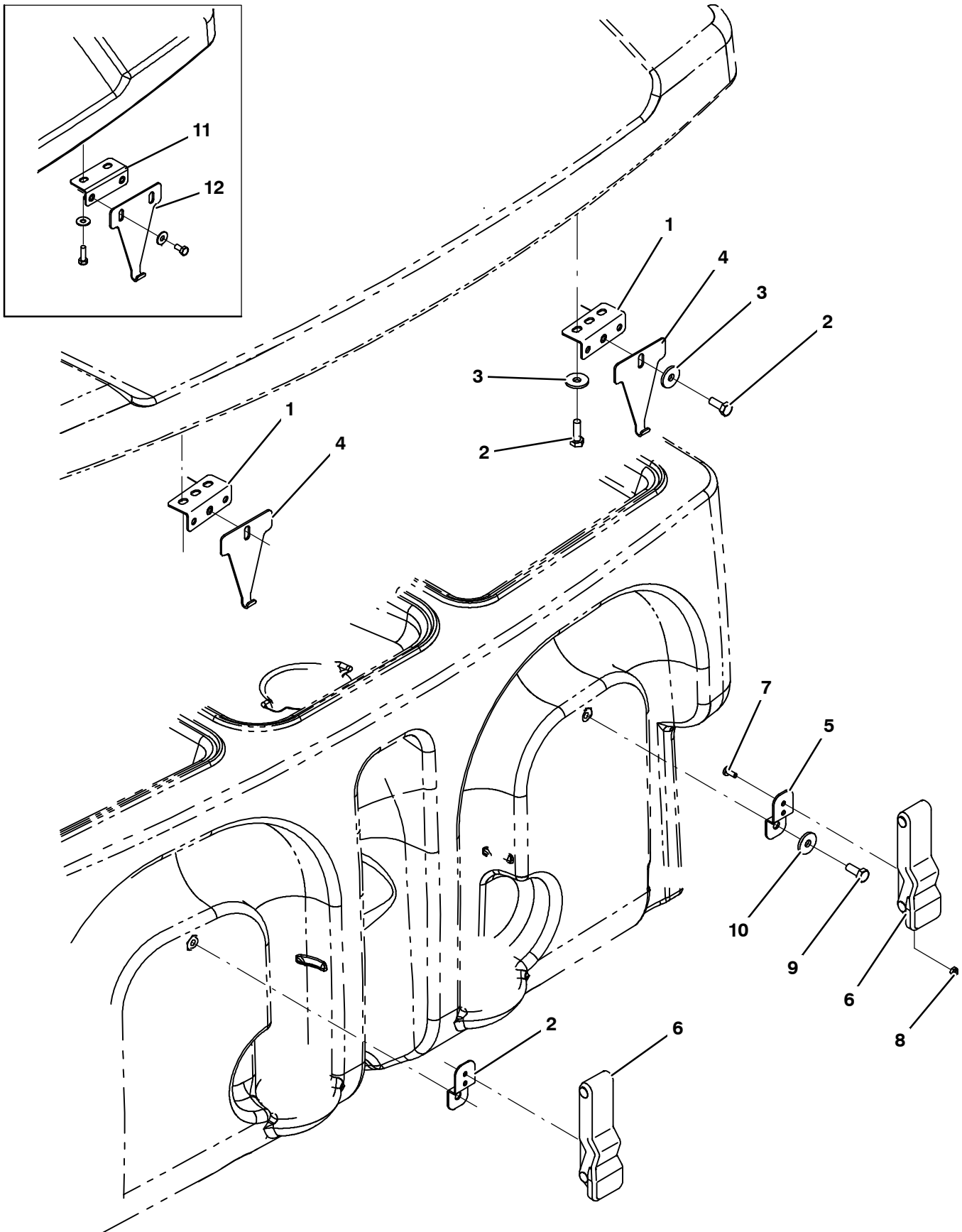




Fig. 33 - Spray Nozzle Kit with Power Wand

	Ref.	Part No.	Serial Number	Description	Qty.
▽		9003282	(000000-	) Nozzle Kit, Spray, W/Pwr Wand, Ci [T20]	1
▲	1	64778	(000000-	) Fitting, Plstc, E90, Bm08/Pm06	1
▲	2	1029790	(000000-	) Bracket, Mtg, Spray Wand [Fast, Conv]	1
▲	3	1017218	(000000-	) Washer, Flat, 0.32b 1.00d .12, Ss	2
▲	4	09740	(000000-	) Screw, Hex, M8 X 1.25 X 20, Ss	2
▲	5	1010668	(000000-	) Fitting, Plstc, Y, Bm08/Bm08/Bm08, Nyl	1
▲	6	63810	(000000-	) Clamp, Hose, Wormdrive, 0.56-1.06d, .56w	2
▲	7	1019250	(000000-	) Hose, Water, Coil, 0.38id 0.56od	1
▲	8	769785	(000000-	) Nozzle, Spray, Gun	1
▲	9	1027976	(000000-	) Fitting, Brs, Str, Pf06/Pm12	1
▲	10	1027237	(000000-	) Bracket, Mtg, Spray Handle	1
▲	11	1027978	(000000-	) Fitting, Brs, Str, Pf06/Pf06 Bh	1
▲	12	1029057	(000000-	) Clip, Grip, Finger, .875-1.25	2
▲	13	20394	(000000-	) Screw, Hex, #10-16 X 0.62, Fmg [Ab]	2
▲	14	01683	(000000-	) Washer, Flat, #10, Ss	6
▲	15	375321	(000000-	) Fitting, Brs, Str, Pm08/Garden Hose	1
▲	16	01316	(000000-	) Washer, Flat, 0.66b 1.00d .12, Rbr	1
▲	17	1029153	(000000-	) Fitting, Brs, Spcl [Garden Hose]	1
▲	18	1029155	(000000-	) Coupling, Nozzle, Spray	1
▲	19	1029156	(000000-	) Nozzle	1
▲	20	1029399	(000000-	) Valve, Shutoff	1
▲	21	1011837	(000000-	) Hose, Afmkt, Pvc, Brd, 0.50id, 12ft, Clr	1

Fig. 34 - Transport Group



**Fig. 34 - Transport Kit**

	<b>Ref.</b>	<b>Part No.</b>	<b>Serial Number</b>	<b>Description</b>	<b>Qty.</b>
▽		9003143	(000000-	) Transport Kit, Ci [T20]	1
▲	1	1040800	(001717-	) Bracket, Latch, Cover	2
▲	2	09744	(000000-	) Screw, Hex, M6 X 1.0 X 12, Ss	4
▲	3	01684	(000000-	) Washer, Flat, 0.25, Ss	4
▲	4	1040633	(001717-	) Plate, Hook, Latch	2
▲	5	1020526	(000000-	) Bracket, Retaining, Hose	2
▲	6	360824	(000000-	) Latch	2
▲	7	09200	(000000-	) Screw, Pan, M5 X 0.8 X 12, Ss	4
▲	8	09739	(000000-	) Nut, Hex, Lock, M5 X 0.80, NI, Ss	4
▲	9	393135	(000000-	) Screw, Btn, M8 X 1.25 X 20, Blk	2
▲	10	32491	(000000-	) Washer, Flat, 0.31, Std	2
	11	1032869	(000000-001716	) Bracket, Latch, Cover	2
	12	1032884	(000000-001716	) Plate, Hook, Latch	2

**Fig. 35 - Squeegee Guard Kit**

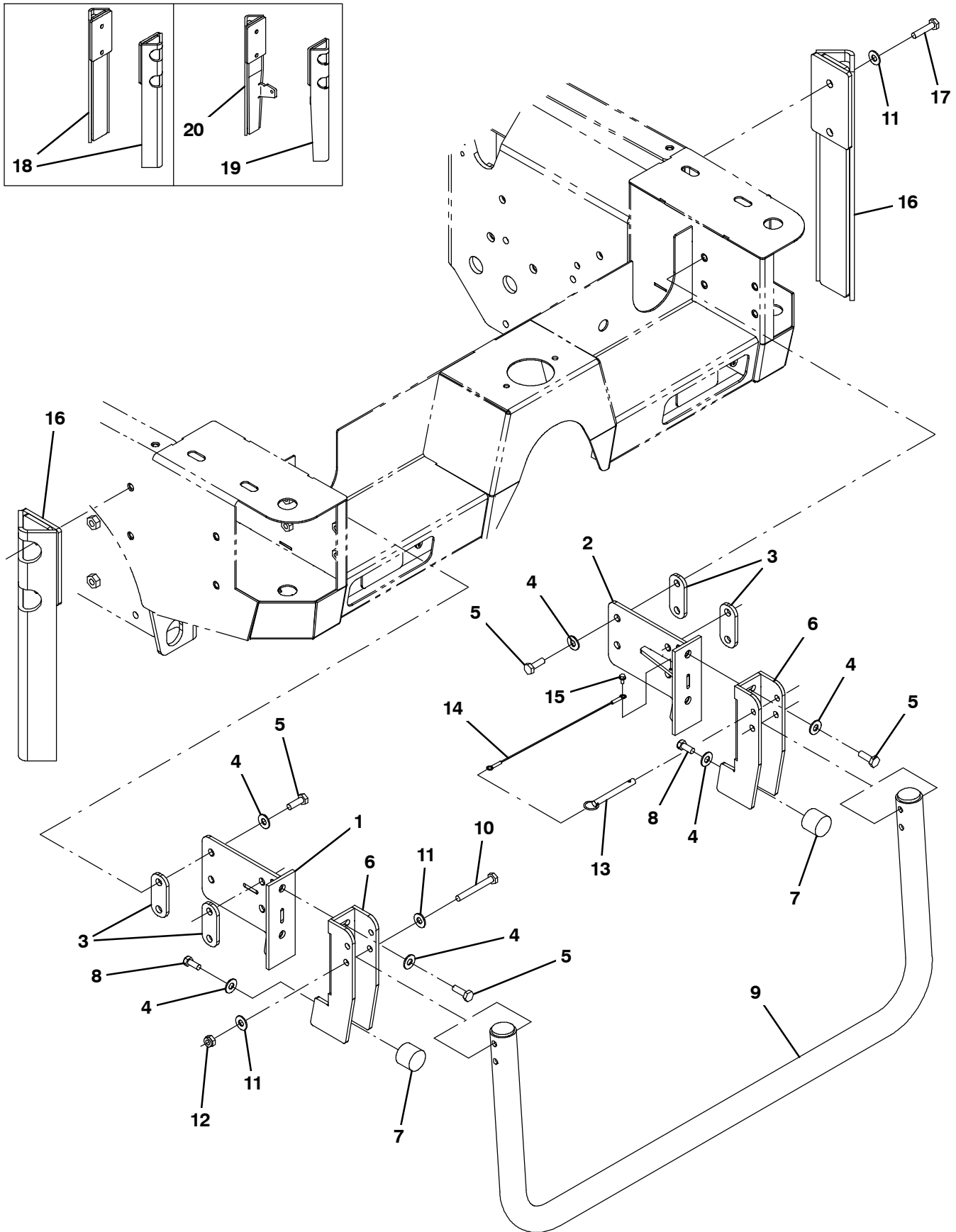
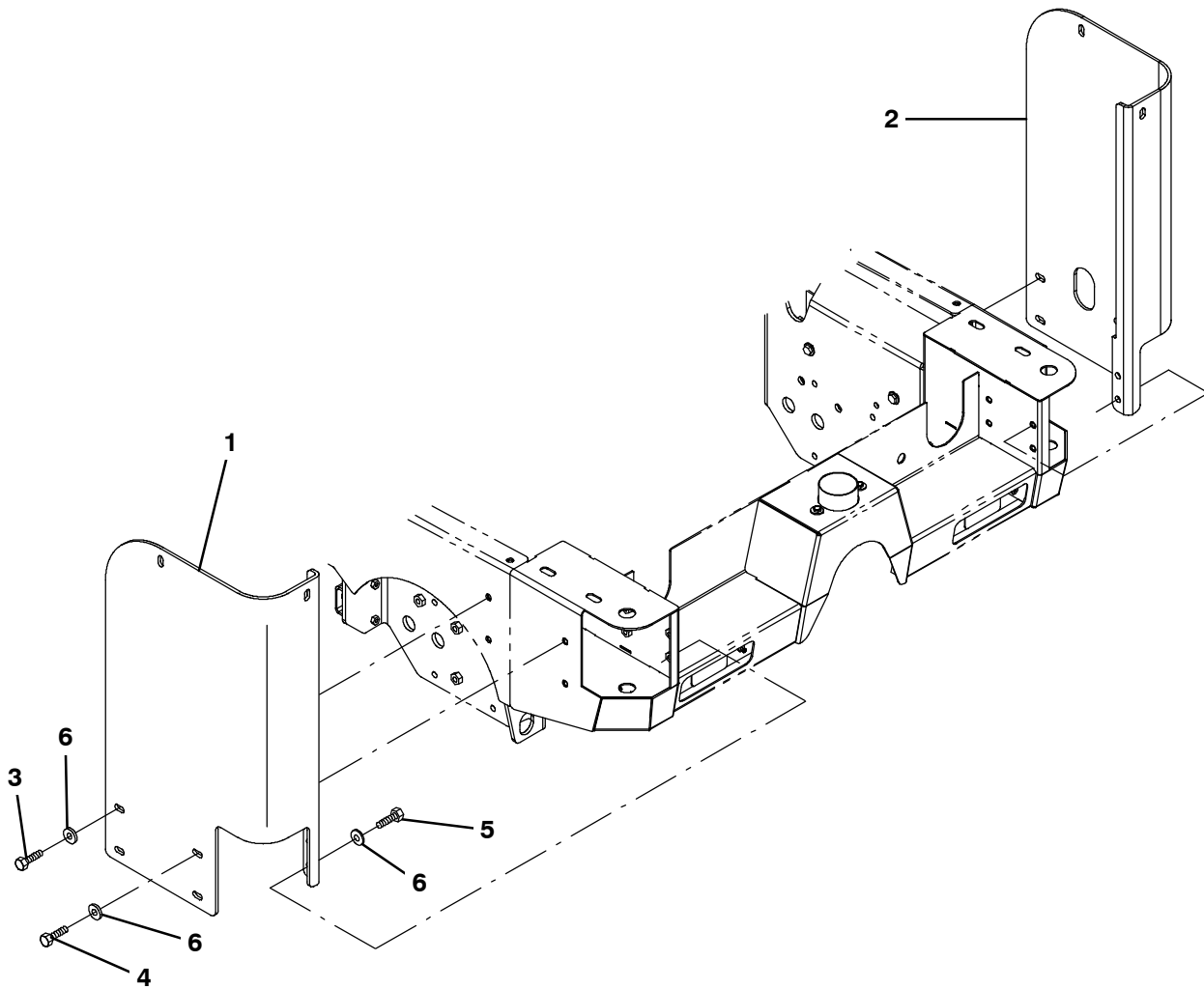


Fig. 35 - Squeegee Guard Kit

Ref.	Part No.	Serial Number	Description	Qty.
▽	9003135	(000000-	) Guard Kit, Sqge, Ci [T20]	1
▲	1 1030557	(000000-	) Support Wldt, Sqge, Lh Rear	1
▲	2 1030503	(000000-	) Support Wldt, Sqge, Rh Rear	1
▲	3 1030522	(000000-	) Link, .25 1.4w 3.2l 2/.5h	4
▲	4 01686	(000000-	) Washer, Flat, 0.44b 1.00d .08, Ss	14
▲	5 12317	(000000-	) Screw, Hex, M10 X 1.5 X 30, Ss	12
▲	6 1030515	(000000-	) Channel Wldt, Guard, Sqge	2
▲	7 1024977	(000000-	) Bumper, Ure, 1.50d 1.25l	2
▲	8 21196	(000000-	) Screw, Hex, .38-16 X 0.88, G5	2
▲	9 1026746	(000000-	) Guard Wldt, Sqge, Rear, Pntd	1
▲	10 06965	(000000-	) Screw, Hex, M10 X 1.5 X 80, 8.8	2
▲	11 32492	(000000-	) Washer, Flat, 0.38, Std	8
▲	12 41430	(000000-	) Nut, Hex, Lock, M10 X 1.5, NI	2
▲	13 369359	(000000-	) Pin, Hitch, .375d X 3.12l, PI	1
▲	14 57702	(000000-	) Cable, Glv .06d 012.0l .26eye /.26eye	1
▲	15 223198	(000000-	) Screw, Hex, M5 X 0.8 X 10, Fmg	1
▲	16 1045444	( xxxxxx-	) Guard Wldt, Sqge [M20/T20/M30]	2
▲	17 06962	(000000-	) Screw, Hex, M10 X 1.5 X 45, 8.8	4
▲	18 1025663	(000000-001689	) Guard Wldt, Sqge Rep.BY1039069	2
▲	19 1040863	(001690-xxxxxx	) Guard Wldt, Sqge [M20/T20 LH, M30 RH]	1
▲	20 1040871	(001690-xxxxxx	) Guard Wldt, Sqge [M20/T20 RH, M30 LH]	1

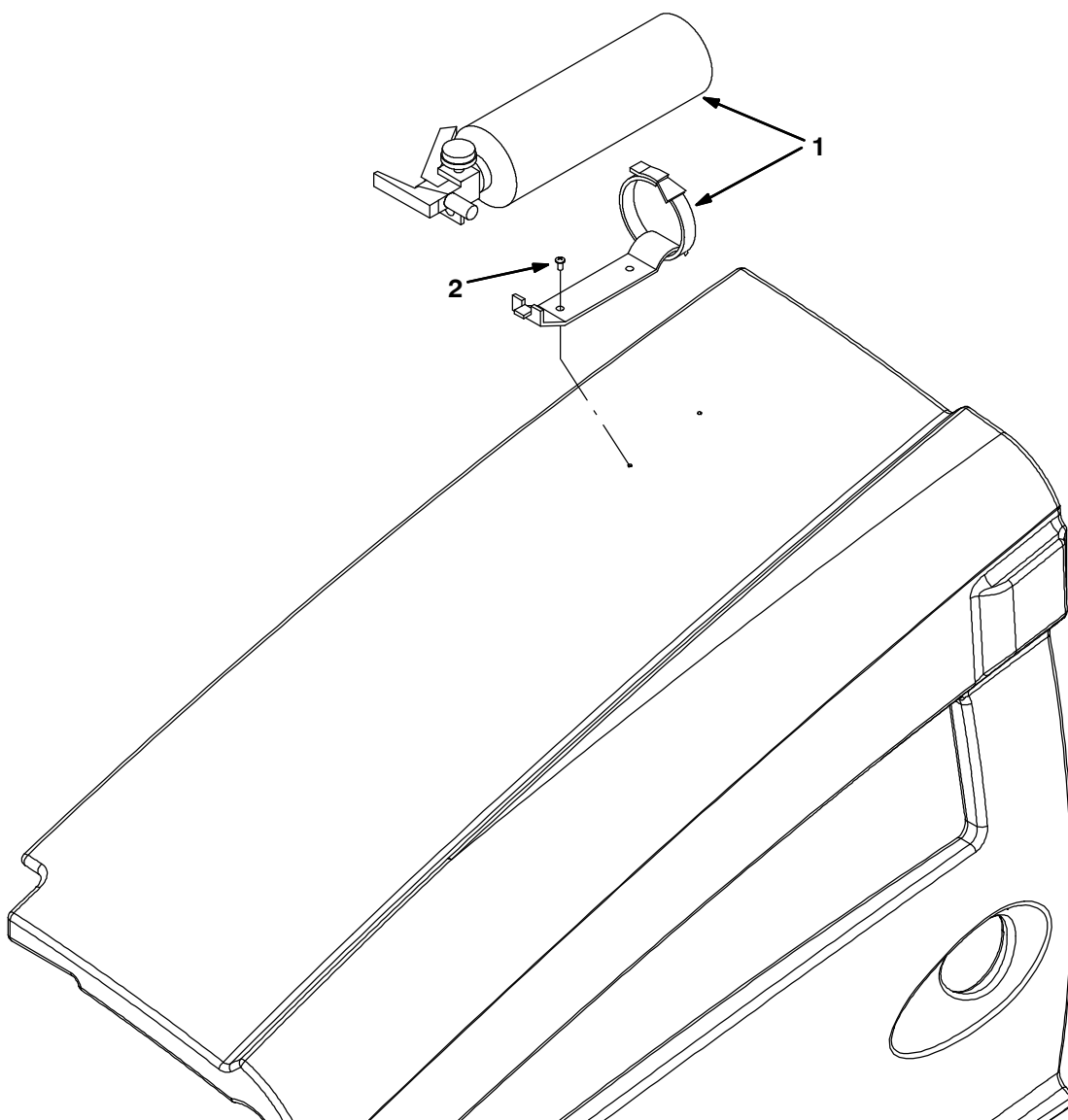
**Fig. 36 - Heavy Duty Bumper Kit**



354537

Ref.	Part No.	Serial Number	Description	Qty.
▽	9003142	(000000-	) Bumper Kit, Hd, Ci [T20]	1
▲	1 1027850	(000000-	) Plate, Bmpr, Lh	1
▲	2 1027588	(000000-	) Plate, Bmpr, Rh	1
▲	3 06962	(000000-	) Screw, Hex, M10 X 1.50 X 45, 8.8	4
▲	4 09028	(000000-	) Screw, Hex, M10 X 1.50 X 25, Ss	4
▲	4 03192	(000000-	) Screw, Hex, M10 X 1.50 X 30, 8.8	4
▲	4 32492	(000000-	) Washer, Flat, 0.38, Std	12

Fig. 37 - Fire Extinguisher Kit



354484

Ref.	Part No.	Serial Number	Description	Qty.
	9001316	(000000-	) Extinguisher Kit, Fire, Ci [M20 And T20]	1
1	25312	(000000-	) Extinguisher, Fire, 2.5 Lb Dry	1
2	382320	(000000-	) Screw, Pan, #12-16 X 0.50, F/ Plstc	2

**Fig. 38 - Documentation Group**

<b>Ref.</b>	<b>Part No.</b>	<b>Serial Number</b>	<b>Description</b>	<b>Qty.</b>
	331500	(000000-	) Manual, Oprtr [T20 Dsl En]	1
	331501	(000000-	) Manual, Parts, En [T20 Dsl]	1
	331502	(000000-	) Manual, Oprtr [T20 Dsl, Es, Na]	1
	331503	(000000-	) Manual, Oprtr [T20 Dsl, Fr, Na]	1
	331475	(000000-	) Manual, Service [T20 En]	1
	1035133	(000000-	) Video, Oprtr, Dvd [W/Checklist T20]	1
	84660	(000000-	) Manual, Eng [Kubo, V1505e]	1
	1037749	(000000-	) Instr, Maint, Wall Chart [T20]	1



# **SECTION 4**

<b>Contents</b>	<b>Page</b>
Fig. 1 - Extended Scrub Pump Breakdown, 1021210 .....	4-2
Fig. 2 - Hydraulic Motor Breakdown, 379609 ...	4-4
Fig. 3 - Hydraulic Pump Breakdown, 1024251 .	4-6
Fig. 4 - Hydraulic Motor Breakdown, 71729 ....	4-8
Fig. 5 - Hydraulic Motor Breakdown, 1029379 .	4-9
Fig. 6 - Hydraulic Motor Breakdown, 53485 ...	4-10
Fig. 7 - Hydraulic Motor Breakdown, 1024407	4-11
Fig. 8 - Hydraulic Valve Breakdown, 1018938 .	4-12
Fig. 9 - Hydraulic Valve Breakdown, 1020394 .	4-14
Fig. 10 - Hydraulic Valve Breakdown, 1037805 .	4-16
Fig. 11 - Hydraulic Steering Valve Breakdown, 1024260 .....	4-18
Fig. 12 - Metering Solution Pump Breakdown, 73260 .....	4-20
Fig. 13 - Water Pump Breakdown, 1026743 ...	4-21
Fig. 14 - FaST Injector Assembly Breakdown, 9004515 .....	4-22

**Fig. 1 - Extended Scrub Pump Breakdown, 1021210**

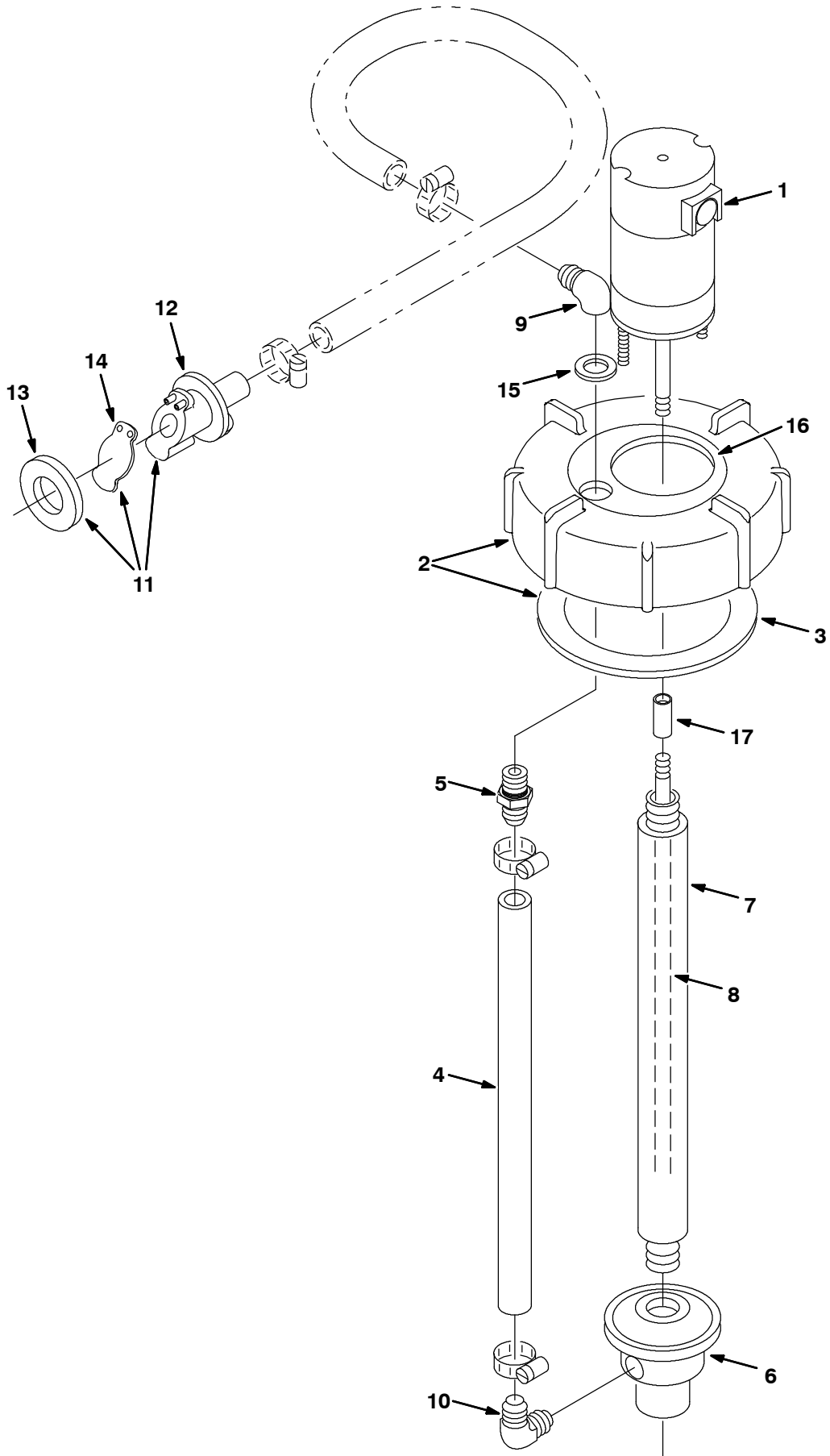


Fig. 1 - Extended Scrub Pump Breakdown, 1021210

	Ref.	Part No.	Serial Number	Description	Qty.
▽		1021210	(000000-	) Pump Assy, Column, Es	1
▲▽	1	9002708	(000000-	) Motor, Ele, 12vdc, Pump, Water	1
▲▲		78829	(000000-	) Kit, Brush, Motor, Ele	1
▲▽	2	24358	(000000-	) Cap Assy, Tank, Drain	1
▲▲	3	1031699	(000000-	) Gasket, 4.05Id 5.29Od .19 [Buna]	1
▲	4	78833	(000000-	) Tube, Vinyl, Pump, Water	1
▲	5	78398	(000000-	) Fitting, Plstc, Str, Bm12/Pm08, Nyl	1
▲	6	78843	(000000-	) Housing Kit, Pump, Water	1
▲	7	78836	(000000-	) Column, Pump, Water	1
▲	8	9002709	(000000-	) Shaft, Pump, Water	1
▲	9	78838	(000000-	) Fitting, E, Gr	1
▲	10	78839	(000000-	) Fitting, Plstc, E90, Pf Bm [Es Pump]	1
▲▽	11	78842	(000000-	) Kit, Valve, Check, Pump, Water	1
▲▲	12	78840	(000000-	) Valve, Check, Pump, Water	1
▲▲	13	73342	(000000-	) Gasket, .25 1.88d 1.0Id [Poron]	1
▲▲	14	78841	(000000-	) Flapper, Valve, Pump, Water	1
▲	15	78830	(000000-	) Washer, Rbr	1
▲	16	22790	(000000-	) Insert, Cap, Mount, Es Pump	1
▲	17	23285	(000000-	) Sleeve, Pump, Water	1

Fig. 2 - Hydraulic Motor Breakdown, 379609

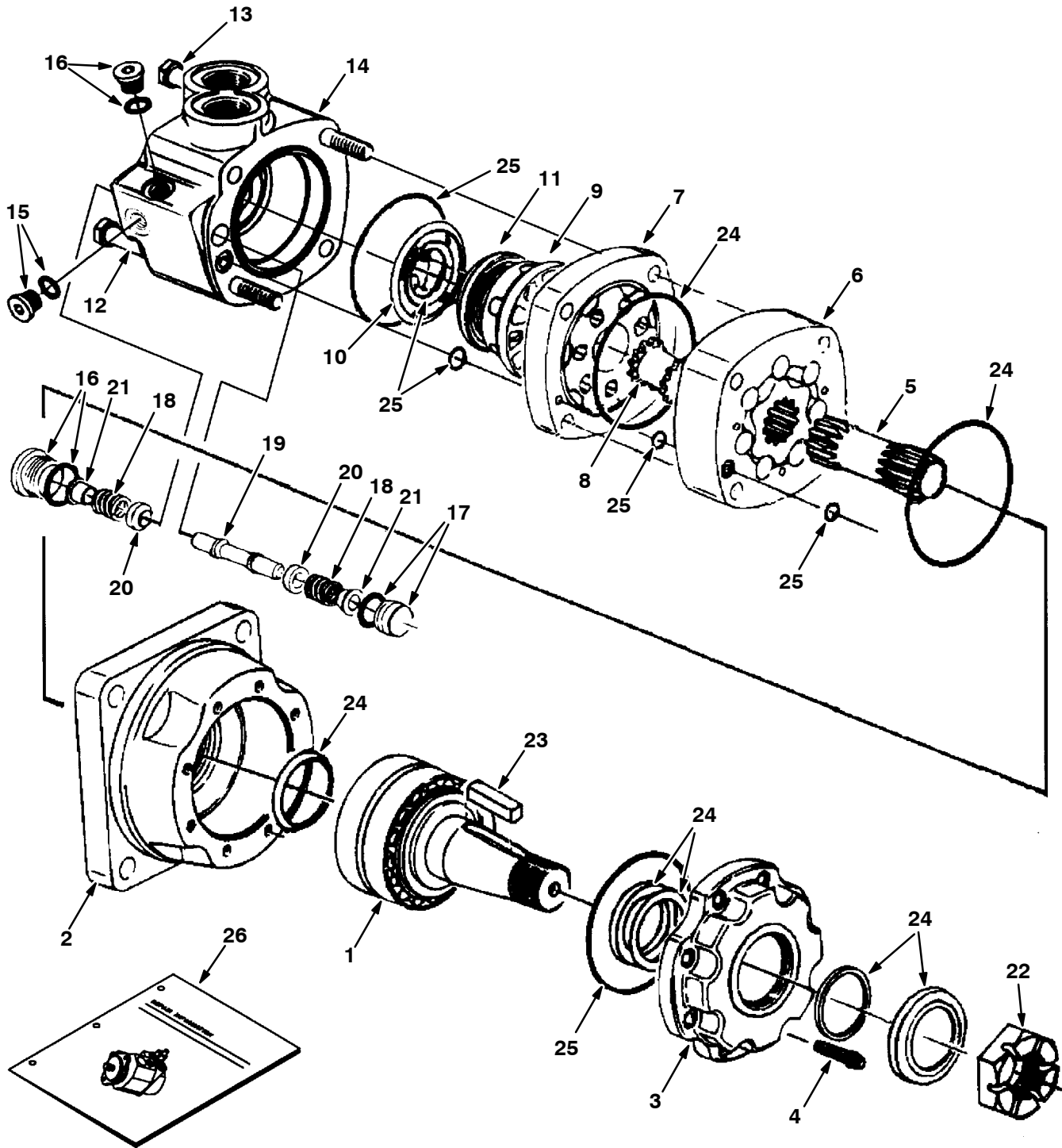


Fig. 2 - Hydraulic Motor Breakdown, 379609

Ref.	Part No.	Serial Number	Description	Qty.
▽	379609	(000000-	) Motor, Hyd, Gear, [Int], 19.0 X 3000	1
▲	1 74165	(000000-	) Shaft, Motor, Hyd	1
▲	2 74166	(000000-	) Housing, Brg, Motor, Hyd	1
▲	3 74167	(000000-	) Retainer, Motor, Hyd	1
▲	4 74168	(000000-	) Screw, Cap, Motor, Hyd	8
▲	5 37616	(000000-	) Drive, Motor, Hyd	1
▲	6 37756	(000000-	) Geroler, Motor, Hyd	1
▲	7 74122	(000000-	) Plate, Valve, Motor, Hyd	1
▲	8 52405	(000000-	) Valve, Motor, Hyd	1
▲	9 74123	(000000-	) Valve, Motor, Hyd	1
▲	10 34178	(000000-	) Spring, Motor, Hyd	2
▲	11 38968	(000000-	) Ring, Motor, Hyd	1
▲	12 74125	(000000-	) Bolt, Motor, Hyd	3
▲	13 38255	(000000-	) Bolt, Motor, Hyd	1
▲	14 373297	(000000-	) Housing, Valve	1
▲	15 373298	(000000-	) Plug	1
▲	16 373260	(000000-	) Plug, Pump, Hyd, Gear	2
▲	17 373299	(000000-	) Plug	1
▲	18 373291	(000000-	) Spring	2
▲	19 373217	(000000-	) Piston, Pump, Hyd, Gear	1
▲	20 373226	(000000-	) Poppet, Pump, Hyd, Gear	2
▲	21 373236	(000000-	) Sleeve, Dashpo, Pump, Hyd, Gear	2
▲	22 45622	(000000-	) Nut, Motor, Hyd	1
▲	23 45623	(000000-	) Key, Motor, Hyd	1
▲	24 79828	(000000-	) Kit, Seal, Motor, Hyd	1
▲	25 33580	(000000-	) Kit, Seal, Motor, Hyd	1
	26 79729	(000000-	) Instr, Repair, Motor, Hyd, Gear	1

## Fig. 3 - Hydraulic Pump Breakdown, 1024251

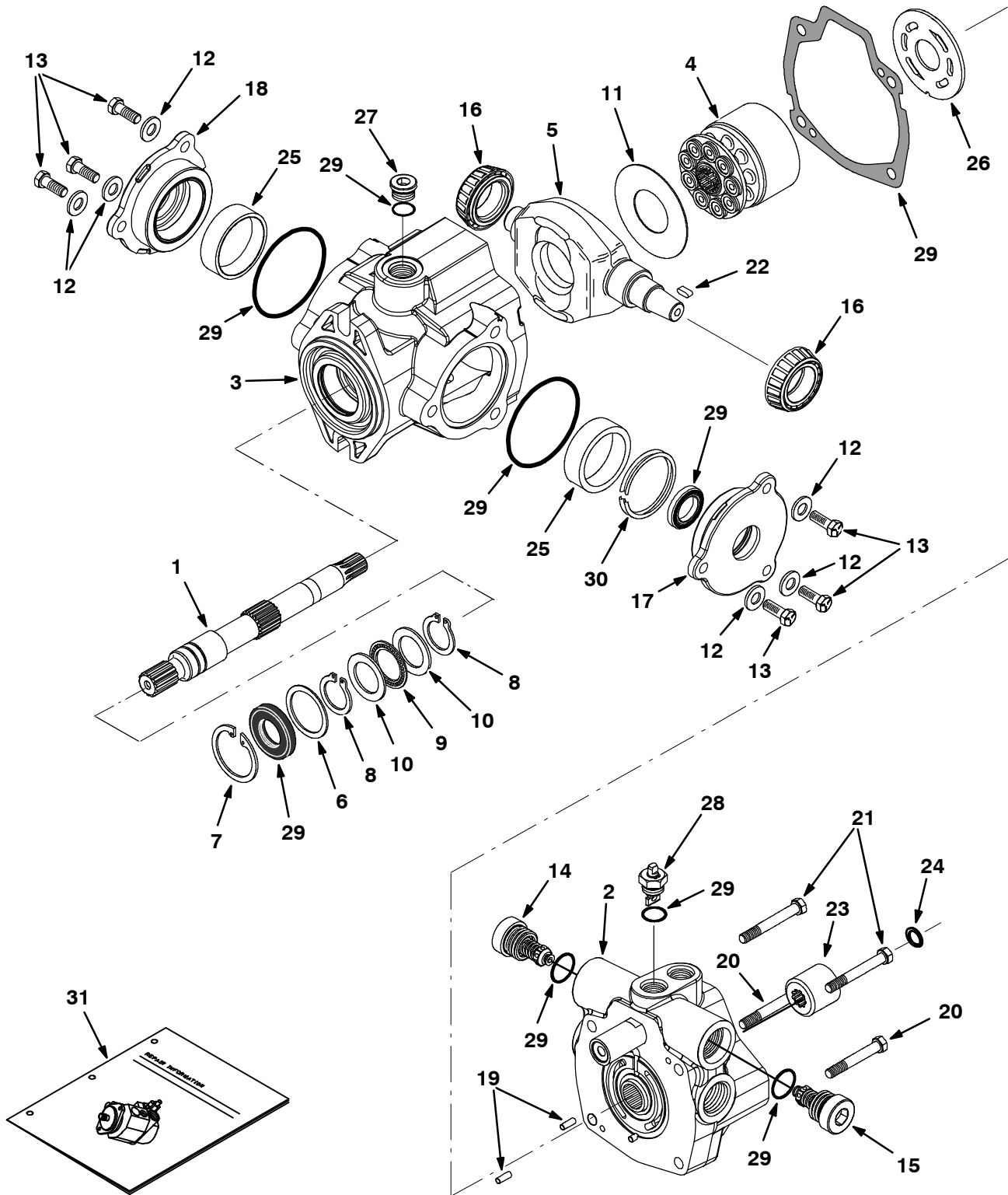
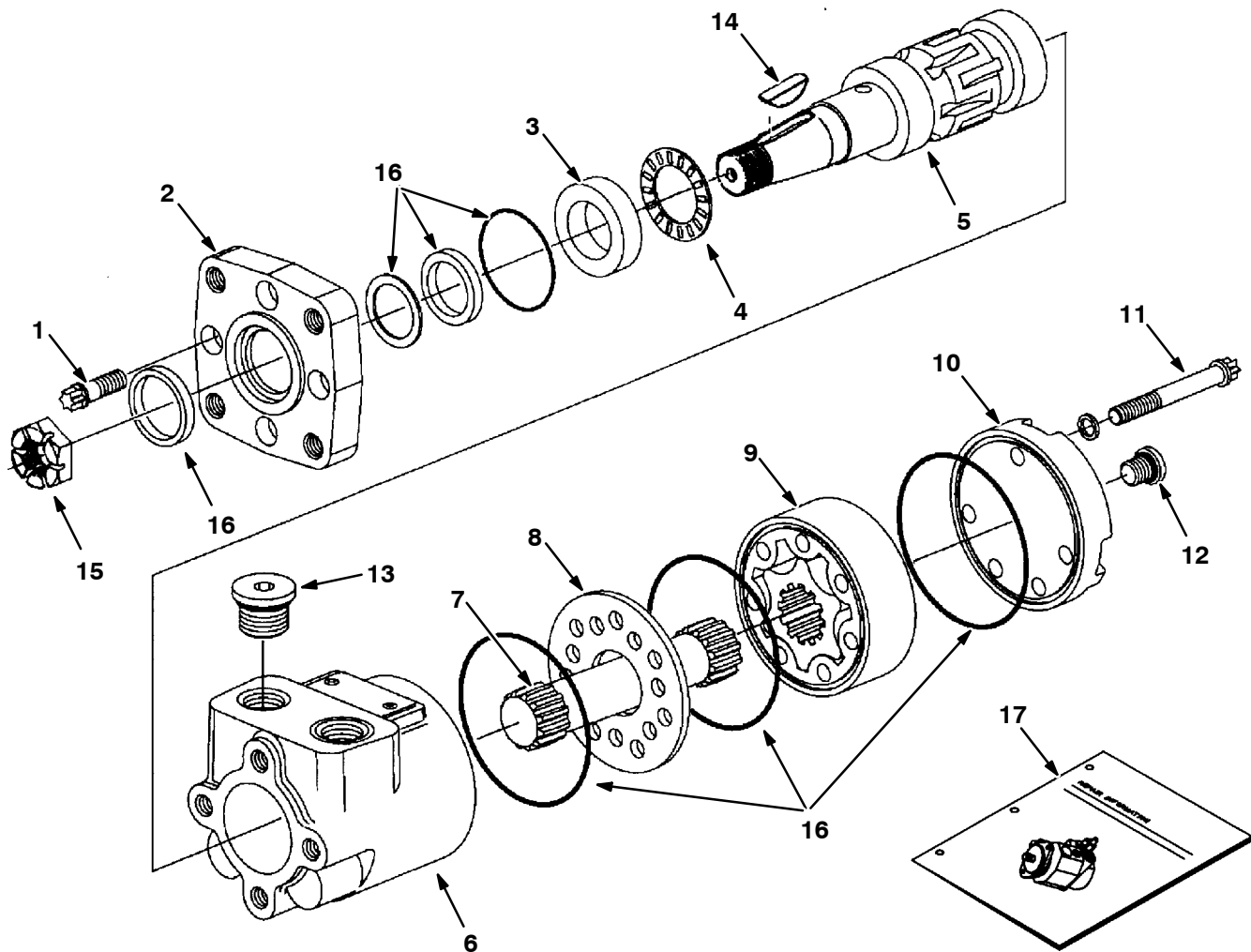


Fig. 3 - Hydraulic Pump Breakdown, 1024251

Ref.	Part No.	Serial Number	Description	Qty.	
▽	1024251	(000000-	) Pump, Hyd, Piston, Var, 1.24 4000, Cw	1	
▲	1	373681	(000000-	) Shaft, Pump	1
▲	2	373427	(000000-	) Cover, End	1
▲	3	373389	(000000-	) Housing	1
▲	4	02706	(000000-	) Pump Kit, Hyd, Rotating [Cessna]	1
▲	5	373493	(000000-	) Plate, Cam	1
▲	6	70096	(000000-	) Washer, Flat, Pump, Hyd	1
▲	7	55926	(000000-	) Ring, Retaining, Pump, Hyd	1
▲	8	373434	(000000-	) Ring, Retaining	2
▲	9	74225	(000000-	) Bearing, Thrust, Pump, Hyd	1
▲	10	74226	(000000-	) Race, Brg, Pump, Hyd	2
▲	11	373327	(000000-	) Insert, Plt, Cam, Pump, Hyd	1
▲	12	373391	(000000-	) Washer, Pump, Hyd [En]	6
▲	13	373346	(000000-	) Screw, Cap	6
▲	14	373494	(000000-	) Valve, Relief, 4000 Psi	1
▲	15	373678	(000000-	) Valve, Relief, 3000 Psi	1
▲	16	373317	(000000-	) Bearing, Cone, Pump, Hyd	2
▲	17	373393	(000000-	) Plate, Cover	1
▲	18	373394	(000000-	) Plate, Cover	1
▲	19	70100	(000000-	) Pin, Dowel, Pump, Hyd	2
▲	20	373347	(000000-	) Screw, Cap	2
▲	21	373348	(000000-	) Screw, Cap	2
▲	22	74237	(000000-	) Key, Shaft, Pump, Hyd	1
▲	23	373679	(000000-	) Coupler, Pump	1
▲	24	373680	(000000-	) Ring, Lock	1
▲	25	373395	(000000-	) Bearing, Cup	2
▲	26	74180	(000000-	) Plate, Valve, Pump, Hyd	1
▲	27	13907	(000000-	) Fitting, Hyd, Plug, Om08	1
▲	28	373413	(000000-	) Actuator, Valve, By-Pass [En]	1
▲	29	373398	(000000-	) Seal Kit, Pump, Hyd	1
▲	30	373402	(000000-	) Shim Kit	1
	31	373429	(000000-	) Instr, Repair, Pump	1

**Fig. 4 - Hydraulic Motor Breakdown, 71729**

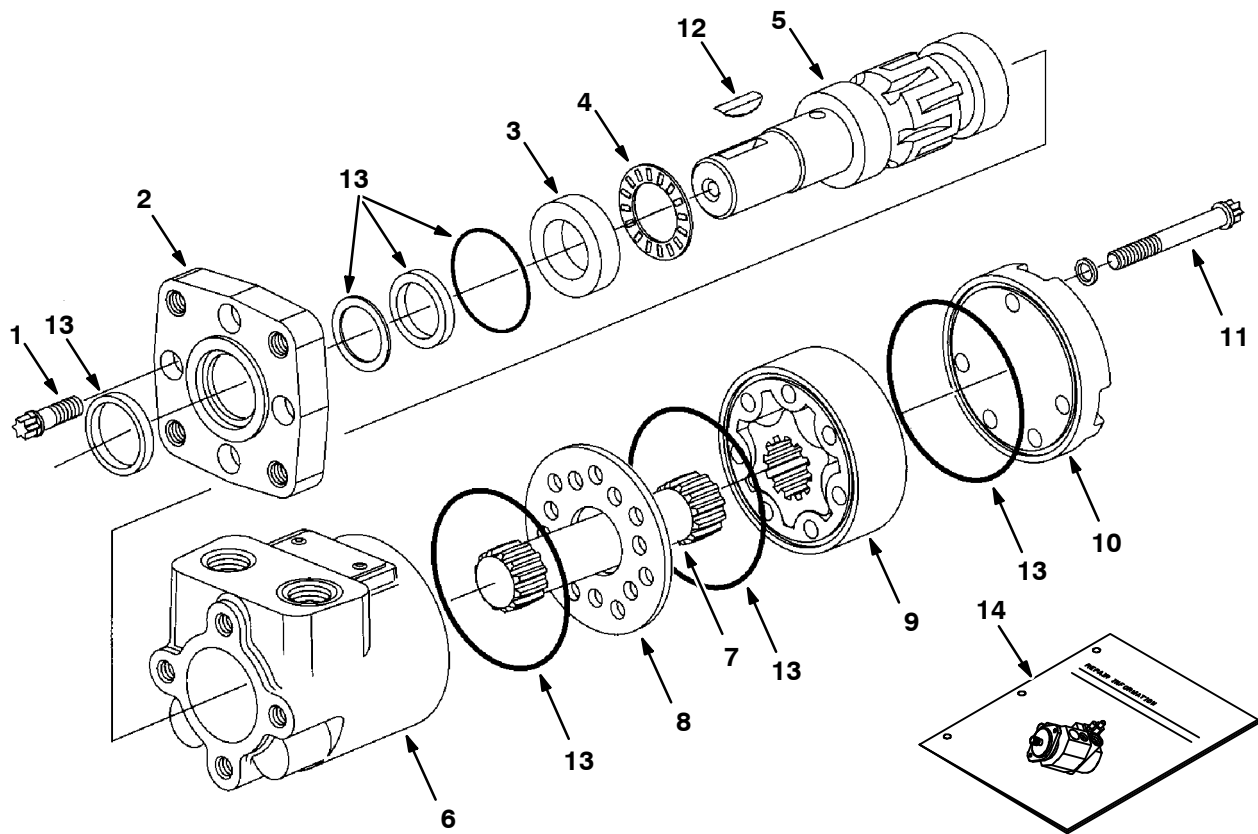


09606-09670 - ALL

Ref.	Tennant Part No.	Manufacturer Serial Number	Description	Qty.
▽	71729	(000000- )	Motor, Hyd Gear In 4.5 B 1500	1
▲	1	37555 (000000- )	Screw	4
▲	2	31354 (000000- )	Flange Mounting	1
▲	3	16695 (000000- )	Race Thrust	1
▲	4	45628 (000000- )	Thrust Bearing	1
▲	5	31375 (000000- )	Shaft, Output	1
▲	6	74100 (000000- )	Housingl	1
▲	7	31379 (000000- )	Drive	1
▲	8	74094 (000000- )	Spacer Plate	1
▲	9	31383 (000000- )	Gerotor Set	1
▲	10	74095 (000000- )	End Cap	1
▲	11	65241 (000000- )	Cap Screw	5
▲	12	74098 (000000- )	Plug #4	1
▲	13	74099 (000000- )	Plug #10	2
▲	14	00500-15 (000000- )	Key-Wdruff 0.25 1.00	1
▲	15	39527 (000000- )	Nut-Hxslot .75-16 Pltd	1
▲	16	61490 (000000- )	Seal Replmt Kit	1
▲	17	74250 (000000- )	Instr. Repair Info, Motor	1



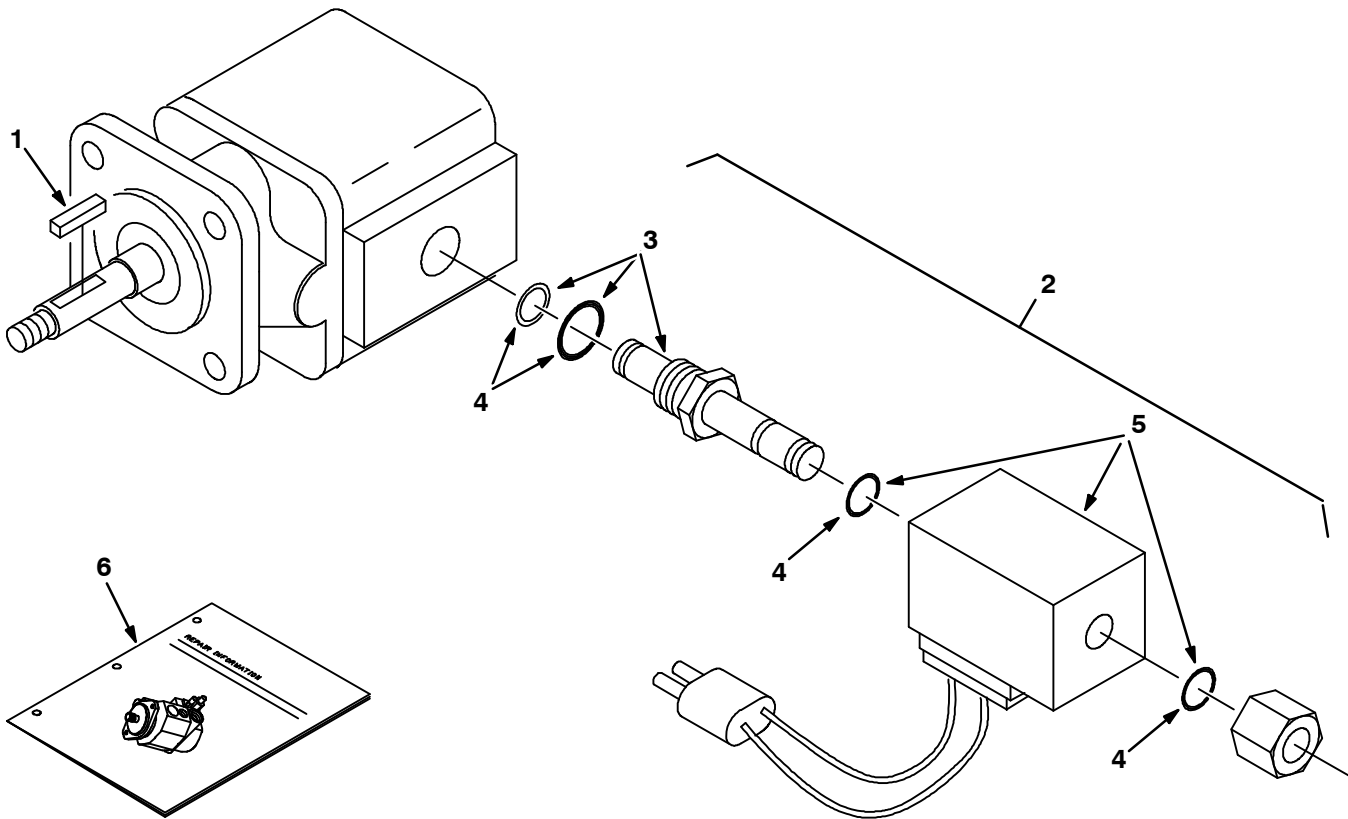
**Fig. 5 - Hydraulic Motor Breakdown, 1029379**



10859-09670 - ALL

Ref.	Part No.	Serial Number	Description	Qty.	
▽	1029379	(000000-	) Motor, Hyd, Gear, Int 08.9 Bi-Dir 2500	1	
▲	1	37555	(000000-	) Screw, Motor, Hyd [En]	4
▲	2	31354	(000000-	) Flange, Motor, Hyd [En]	1
▲	3	16695	(000000-	) Ace, Thrust, Motor, Hyd [En]	1
▲	4	45628	(000000-	) Bearing, Thrust	1
▲	5	28854	(000000-	) Shaft, Output, Motor, Hyd [En]	1
▲	6	74100	(000000-	) Housing, Motor, Hyd [En]	1
▲	7	21955	(000000-	) Drive [CI]	1
▲	8	74094	(000000-	) Plate, Spacer, Motor, Hyd [En]	1
▲	9	21956	(000000-	) Gerotor Set [CI]	1
▲	10	65230	(000000-	) End Cap, Motor, Hyd [En]	1
▲	11	21958	(000000-	) Cap Screw CI	5
▲	12	00500-15	(000000-	) Key, Woodruff, 0.25 1.00 [Asa#0808]	1
▲	13	61490	(000000-	) Seal Kit, Motor [CI]	1
▲	14	74250	(000000-	) Instr, Motor, Hyd, Repair [En]	1

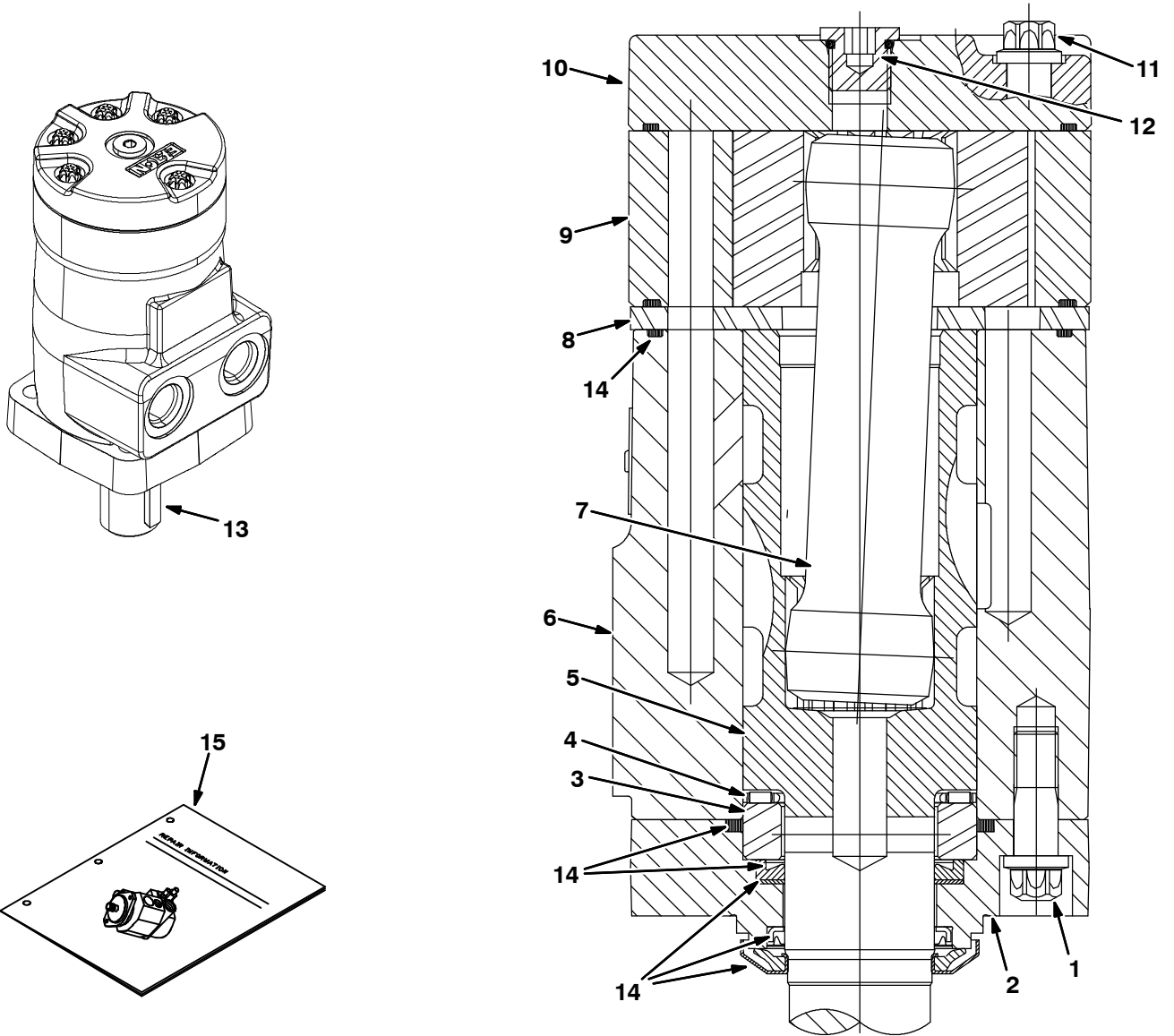
**Fig. 6 - Hydraulic Motor Breakdown, 53485**



07490 - 09670

Ref.	Part No.	Serial Number	Description	Qty.
▽	53485	(000000-	) Motor, Hyd, Gear, Ext 0.19 Rh 3000	1
▲	74233	(000000-	) Kit, Seal, Motor, Hyd, Gear[Barns]	1
▲	1 00966	(000000-	) Key, Sq, 0.12 X 0.12, 0.75l	1
▲▽	2 54095	(000000-	) Valve, Hyd Cartridge 10no/-0	1
▲▲	3 59378	(000000-	) Valve Stem, N.O.Valve, Hyd	1
▲▲	4 48813	(000000-	) Kit, Seal, Valve, Hyd [Cec]	1
▲▲	5 35493	(000000-	) Solenoid, 12v, Valve, Hyd [Cec]	1
	6 IB3614	(000000-	) Instr, Seal Kit, Motor	1

**Fig. 7 - Hydraulic Motor Breakdown, 1024407**



Ref.	Part No.	Serial Number	Description	Qty.	
▽	1024407	(000000-	) Motor, Hyd, Gear, Int 09.7 Bi-Dir 2500	1	
▲	1	37555	(000000-	) Screw, Motor, Hyd [En]	4
▲	2	22609	(000000-	) Flange	1
▲	3	16695	(000000-	) Ace, Thrust, Motor, Hyd [En]	1
▲	4	45628	(000000-	) Bearing, Thrust	1
▲	5	22614	(000000-	) Shaft, Output, Motor, Hyd	1
▲	6	373674	(000000-	) Housing, Motor, Hyd [En]	1
▲	7	31376	(000000-	) Drive	1
▲	8	74094	(000000-	) Plate, Spacer, Motor, Hyd [En]	1
▲	9	38263	(000000-	) Gerotor, Motor, Hyd	1
▲	10	74101	(000000-	) End Cap, Motor, Hyd [En]	1
▲	11	21960	(000000-	) Screw, Cap, Motor, Hyd	5
▲	12	74098	(000000-	) Fitting, Hyd, Plug, Om04	1
▲	13	00500-15	(000000-	) Key, Woodruff, 0.25 1.00 [Asa#0808]	1
▲	14	22615	(000000-	) Seal Kit, Motor [CI]	1
▲	15	74250	(000000-	) Instr, Motor, Hyd, Repair [En]	1

**Fig. 8 - Hydraulic Valve Breakdown, 1018938**

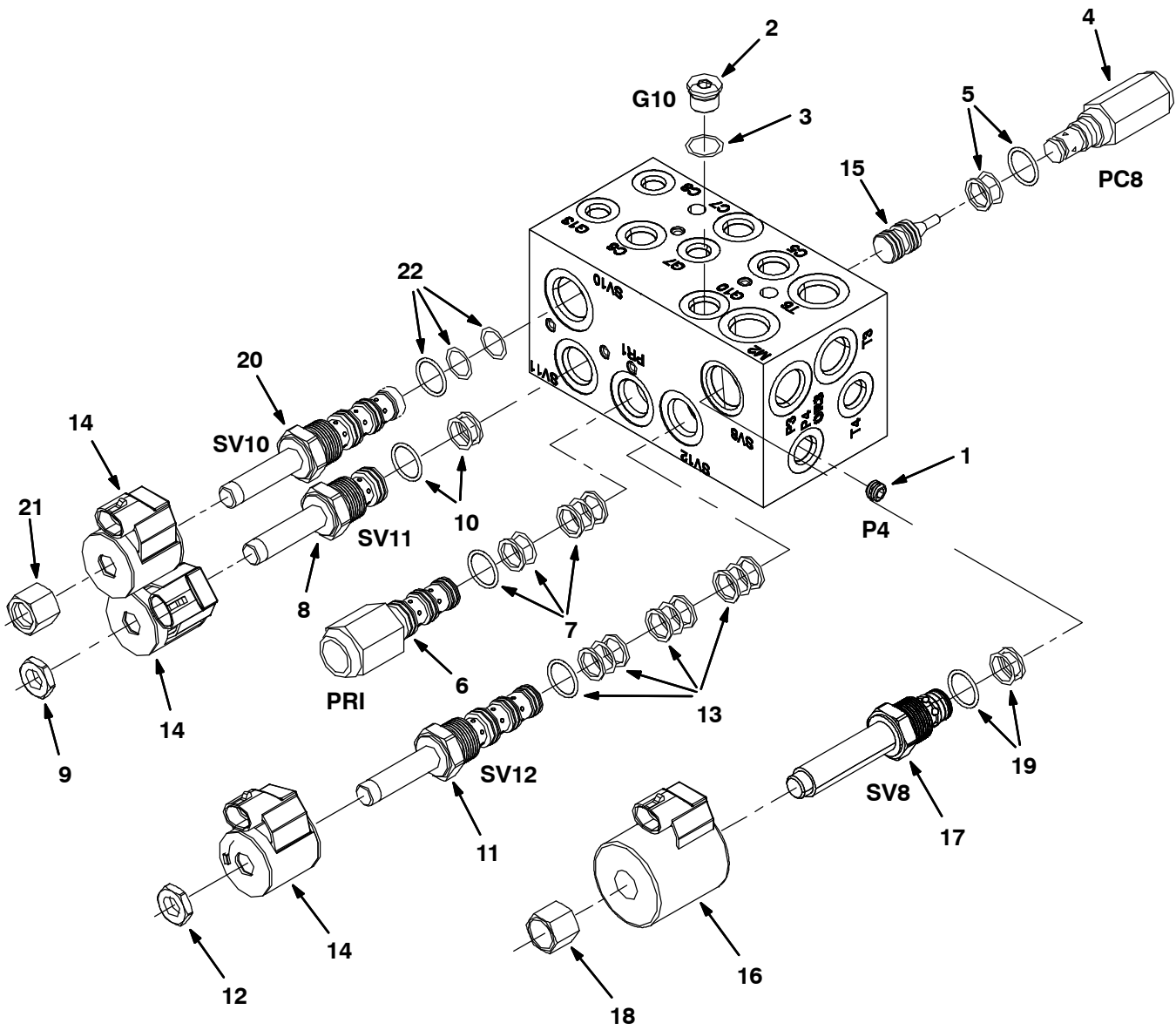


Fig. 8 - Hydraulic Valve Breakdown, 1018938

	Ref.	Part No.	Serial Number	Description	Qty.
▽		1018938	(000000-	) Valve, Cntrl, Hyd [M20 And T20]	1
▲	1	373633	(000000-	) Plug, Orifice, Valve, Hyd, .040	1
▲▽	2	13904	(000000-	) Fitting, Plug, Org, #6, Valve [Cec]	1
▲▲	3	77005	(000000-	) Seal, Org, .078 X 00.47id #06	1
▲▽	4	373656	(000000-	) Valve, Check	1
▲▲	5	373647	(000000-	) Seal Kit, Cartridge	1
▲▽	6	373661	(000000-	) Valve, Relief	1
▲▲	7	373647	(000000-	) Seal Kit, Cartridge	1
▲▽	8	373662	(000000-	) Stem, Valve, Hyd	1
▲▲	9	373648	(000000-	) Nut, Coil, F/#8	1
▲▲	10	373647	(000000-	) Seal Kit, Cartridge	1
▲▽	11	373657	(000000-	) Stem, Valve, Hyd, 4w2p	1
▲▲	12	373648	(000000-	) Nut, Coil, F/#8	1
▲▲	13	373647	(000000-	) Seal Kit, Cartridge	1
▲	14	373640	(000000-	) Solenoid, #8, 12vdc	3
▲	15	373658	(000000-	) Spool, Pilot, Hyd	1
▲	16	373642	(000000-	) Solenoid, #10, 12vdc	1
▲▽	17	373663	(000000-	) Valve, Stem, No	1
▲▲	18	373670	(000000-	) Nut, Solenoid	1
▲▲	19	373646	(000000-	) Seal Kit, Cartridge	1
▲▽	20	373664	(000000-	) Cartridge, Psi Cntrl, Valve, Hyd	1
▲▲	21	373673	(000000-	) Nut, Solenoid	1
▲▲	22	373672	(000000-	) Seal Kit, Cartridge	1

**Fig. 9 - Hydraulic Valve Breakdown, 1020394**

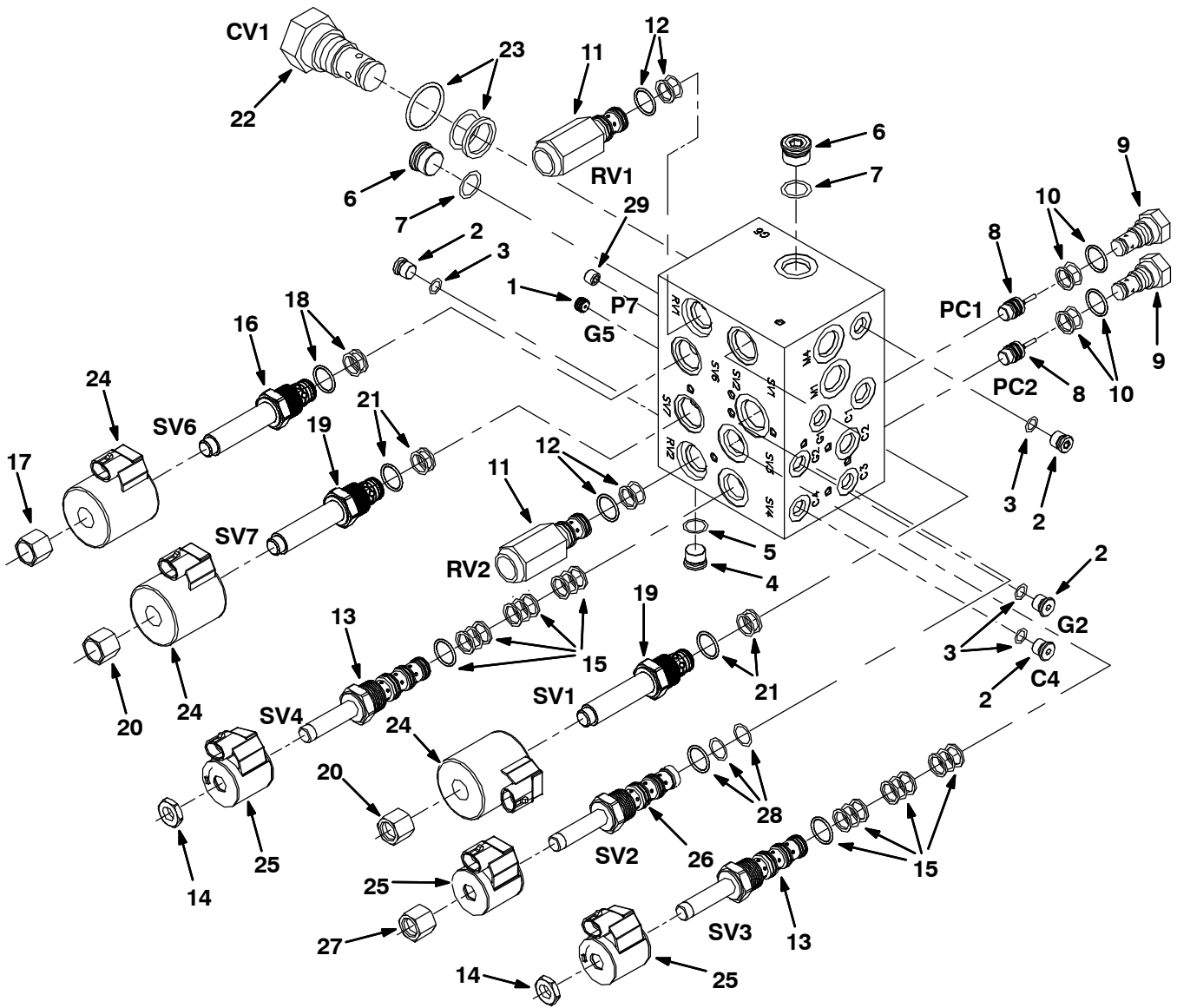


Fig. 9 - Hydraulic Valve Breakdown, 1020394

	Ref.	Part No.	Serial Number	Description	Qty.
▽		1020394	(000000-	) Valve, Cntrl, Hyd	1
▲	1	373665	(000000-	) Plug, Orifice, Valve, Hyd, .046	1
▲▽	2	74098	(000000-	) Fitting, Hyd, Plug, Om04	4
▲▲	3	77003	(000000-	) Seal, Org, .072 X 00.35id #04	1
▲▽	4	13904	(000000-	) Fitting, Plug, Org, #6, Valve [Cec]	1
▲▲	5	77005	(000000-	) Seal, Org, .078 X 00.47id #06	1
▲▽	6	13907	(000000-	) Fitting, Hyd, Plug, Om08	2
▲▲	7	77006	(000000-	) Seal, Org, .087 X 00.64id #08	2
▲	8	373658	(000000-	) Spool, Pilot, Hyd	2
▲▽	9	373631	(000000-	) Valve, Check	2
▲▲	10	373647	(000000-	) Seal Kit, Cartridge	1
▲▽	11	373666	(000000-	) Valve, Relief	2
▲▲	12	373647	(000000-	) Seal Kit, Cartridge	1
▲▽	13	373657	(000000-	) Stem, Valve, Hyd, 4w2p	2
▲▲	14	373648	(000000-	) Nut, Coil, F/#8	1
▲▲	15	373647	(000000-	) Seal Kit, Cartridge	1
▲▽	16	373667	(000000-	) Stem, Valve, Hyd	1
▲▲	17	373648	(000000-	) Nut, Coil, F/#8	1
▲▲	18	373646	(000000-	) Seal Kit, Cartridge	1
▲▽	19	373663	(000000-	) Valve, Stem, No	2
▲▲	20	373670	(000000-	) Nut, Solenoid	1
▲▲	21	373646	(000000-	) Seal Kit, Cartridge	1
▲▽	22	373668	(000000-	) Valve, Check	1
▲▲	23	373671	(000000-	) Seal Kit, Cartridge	1
▲	24	373642	(000000-	) Solenoid, #10, 12vdc	3
▲	25	373640	(000000-	) Solenoid, #8, 12vdc	3
▲▽	26	373664	(000000-	) Cartridge, Psi Cntrl, Valve, Hyd	1
▲▲	27	373673	(000000-	) Nut, Solenoid	1
▲▲	28	373672	(000000-	) Seal Kit, Cartridge	1
▲	29	373669	(000000-	) Plug, Orifice, Valve, Hyd, .063	1

**Fig. 10 - Hydraulic Valve Breakdown, 1037805**

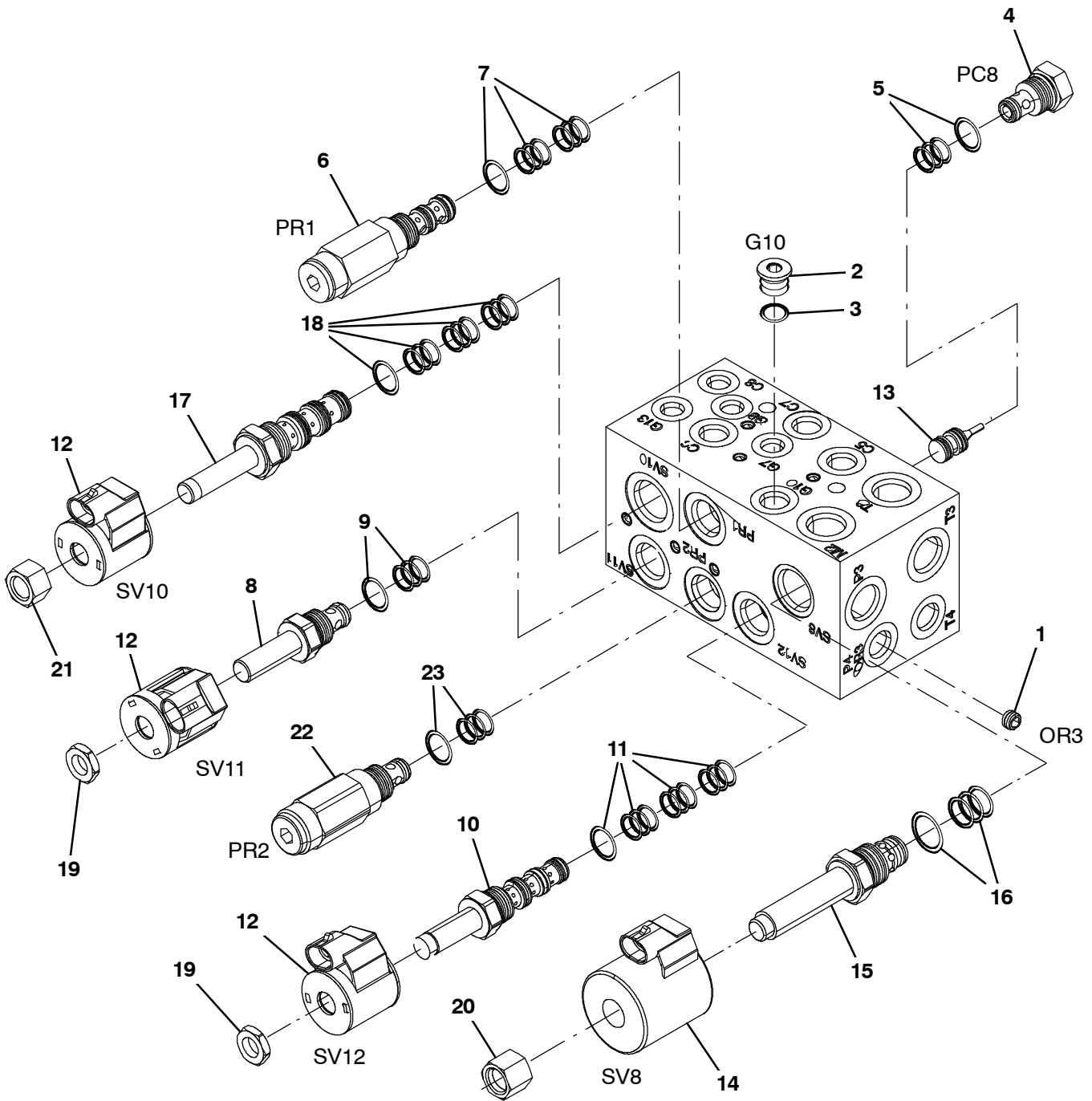




Fig. 10 - Hydraulic Valve Breakdown, 1037805

	Ref.	Part No.	Serial Number	Description	Qty.
▽		1037805	(000000-	) Valve, Cntrl, Hyd, Solenoid, 03/16gpm	1
▲	1	373633	(000000-	) Plug, Orifice, Valve, Hyd, .040	1
▲▽	2	13904	(000000-	) Fitting, Plug, Org, #6, Valve [Cec]	1
▲▲	3	77005	(000000-	) Seal, Org, .078 X 00.47id 06	1
▲▽	4	373656	(000000-	) Valve, Check	1
▲▲	5	373647	(000000-	) Seal Kit, Cartridge	1
▲▽	6	373683	(000000-	) Valve, Relief	1
▲▲	7	373647	(000000-	) Seal Kit, Cartridge	1
▲▽	8	373662	(000000-	) Stem, Valve, Hyd	1
▲▲	9	373647	(000000-	) Seal Kit, Cartridge	1
▲▽	10	373657	(000000-	) Stem, Valve, Hyd [4w2p]	1
▲▲	11	373647	(000000-	) Seal Kit, Cartridge	1
▲	12	373640	(000000-	) Solenoid, #8, 12vdc	1
▲	13	373658	(000000-	) Spool, Pilot, Hyd	1
▲	14	373642	(000000-	) Solenoid, #10, 12vdc	3
▲▽	15	373663	(000000-	) Valve, Stem, No	1
▲▲	16	373646	(000000-	) Seal Kit, Cartridge	1
▲▽	17	373664	(000000-	) Cartridge, Psi Cntrl, Valve, Hyd	1
▲▲	18	373672	(000000-	) Seal Kit, Cartridge	1
▲	19	373684	(000000-	) Nut, Coil, Nyl Patch	1
▲	20	373685	(000000-	) Nut, Coil, Nyl Patch	1
▲	21	373686	(000000-	) Nut, Coil, Nyl Patch	1
▲▽	22	1047625	(000000-	) Valve, Relief	1
▲▲	23	373647	(000000-	) Seal Kit, Cartridge	1

**Fig. 11 - Hydraulic Steering Valve Breakdown, 1024260**

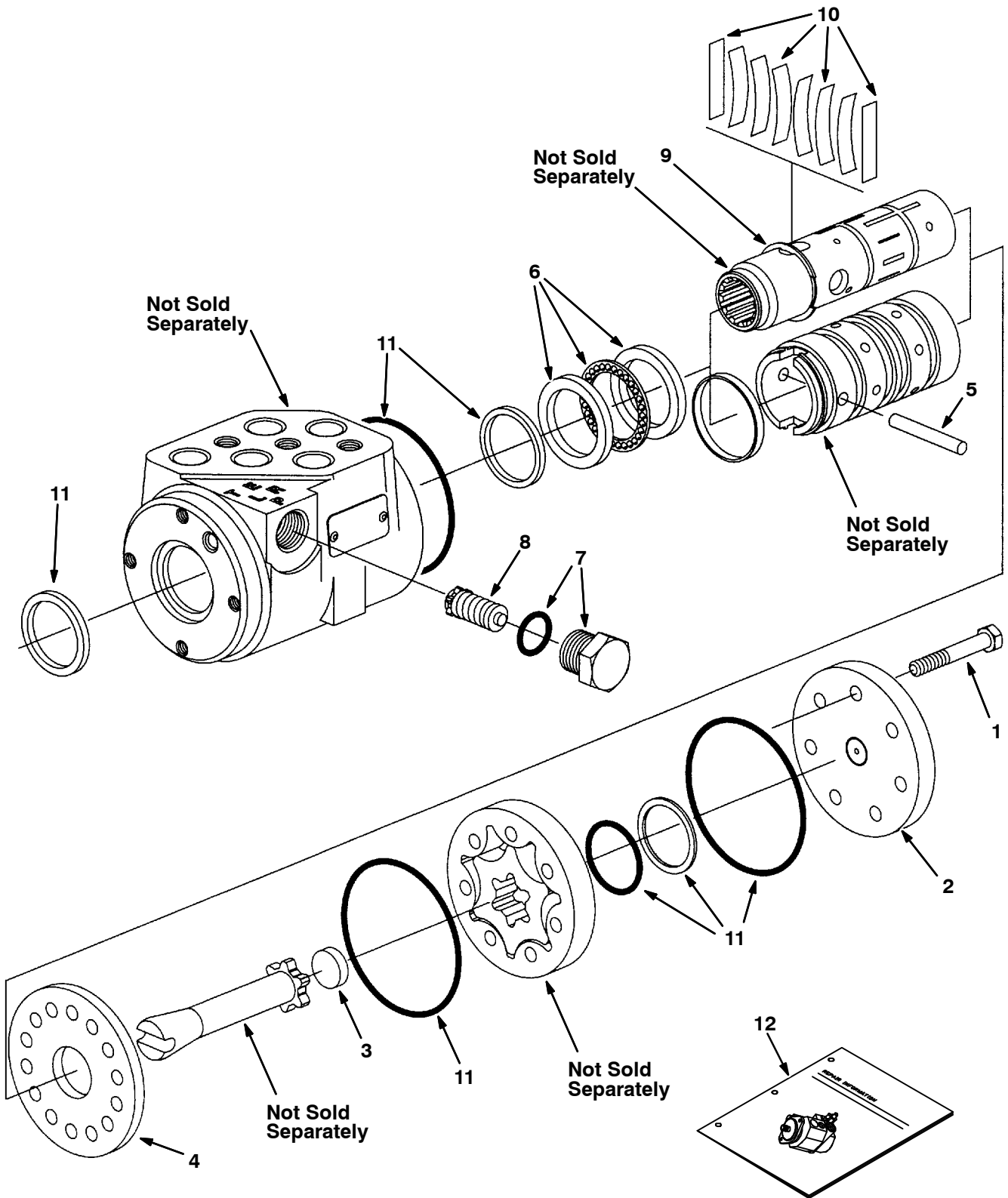
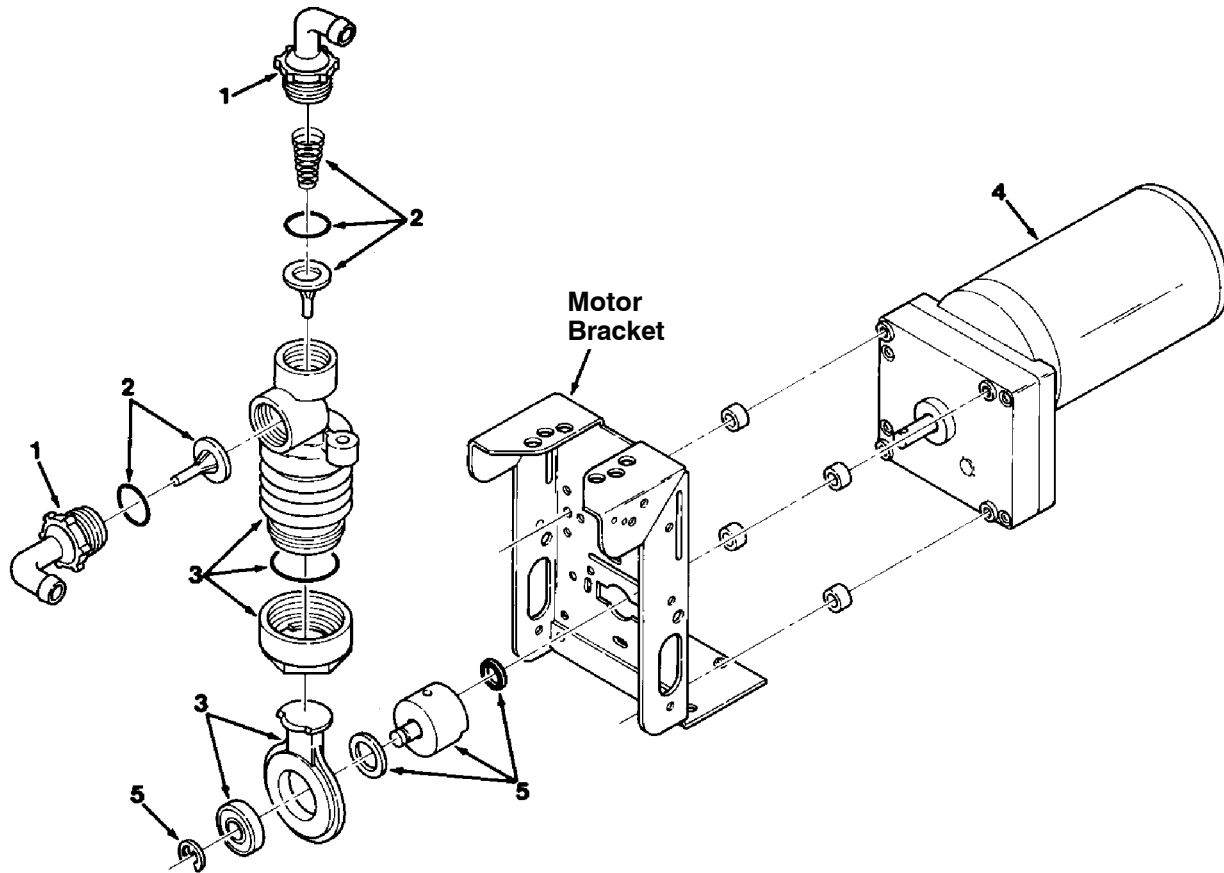


Fig. 11 - Hydraulic Steering Valve Breakdown, 1024260

	Ref.	Part No.	Serial Number	Description	Qty.
▽		1024260	(000000-	) Steer-Control, Hyd05, 06.1 2030	1
▲	1	74183	(000000-	) Screw, Valve, Steering	7
▲	2	74185	(000000-	) Cap, End, Valve, Steering	1
▲	3	74193	(000000-	) Spacer, Valve, Steering	1
▲	4	74222	(000000-	) Plate, Wear, Steering Valve	1
▲	5	74232	(000000-	) Pin, Valve, Steering	1
▲	6	21935	(000000-	) Bearing Kit [C]	1
▲	7	21933	(000000-	) Plug Assy [C]	1
▲	8	21934	(000000-	) Valve Assy, Relief [C]	1
▲	9	74243	(000000-	) Ring, Retainer, Steering Valve	1
▲	10	74196	(000000-	) Spring Kit, Scu [C]	1
▲	11	74244	(000000-	) Seal Kit, Steering [C]	1
▲	12	74245	(000000-	) Instr, Valve, Steering, Repair	1

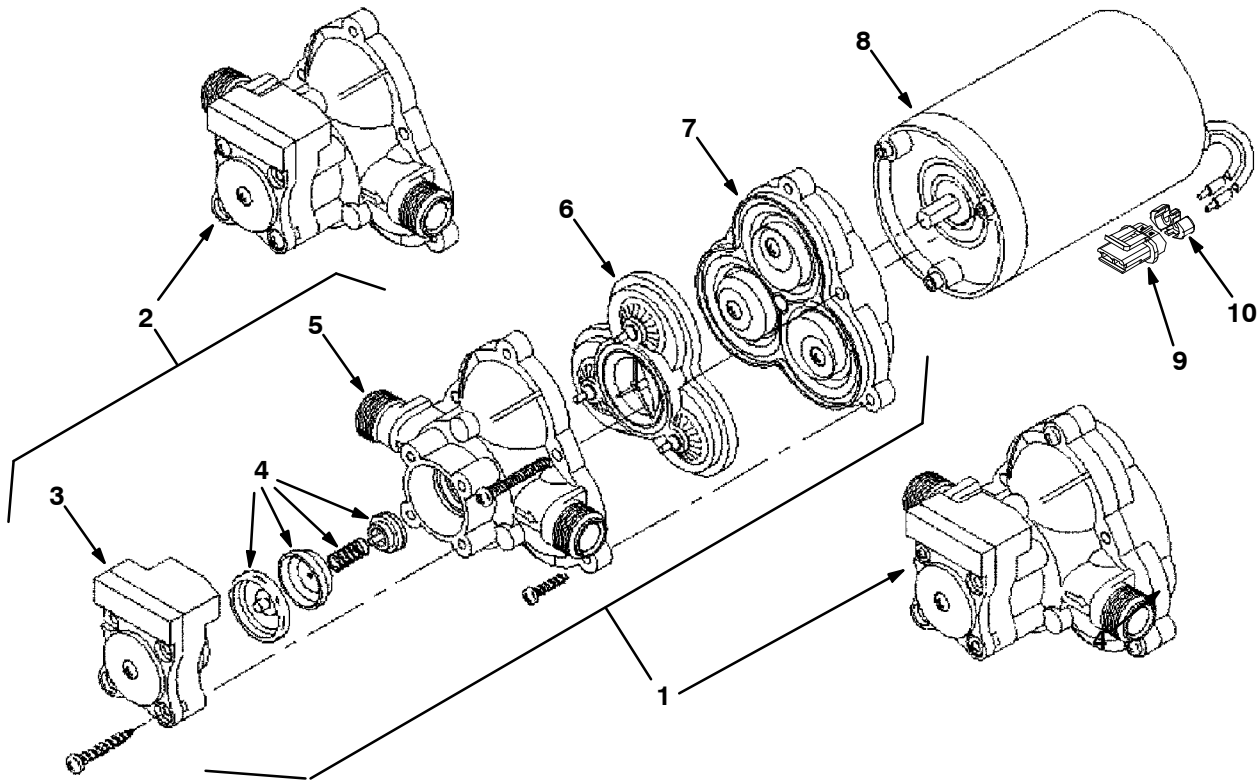
**Fig. 12 - Metering Solution Pump Breakdown, 73260**



00112 - ALL

Ref.	Part No.	Serial Number	Description	Qty.
▽	73260	(000000-	) Pump, Detgt, 14vdc, 150ml/Min 20psi	1
▲	1 63923	(000000-	) Tubing Connctr.Kit, Gorman Pmp	1
▲	2 21659	(000000-	) Valve Kit, Poppet, Gorman Rupp	1
▲	3 21657	(000000-	) Kit, Bellows, Pump, Detgt	1
▲	4 78875	(000000-	) Motor, Ele, Gear, 14vdc, Pump, Detgt	1
▲	5 02430	(000000-	) Crank Kit, Pump, F/79323, Replmt	1

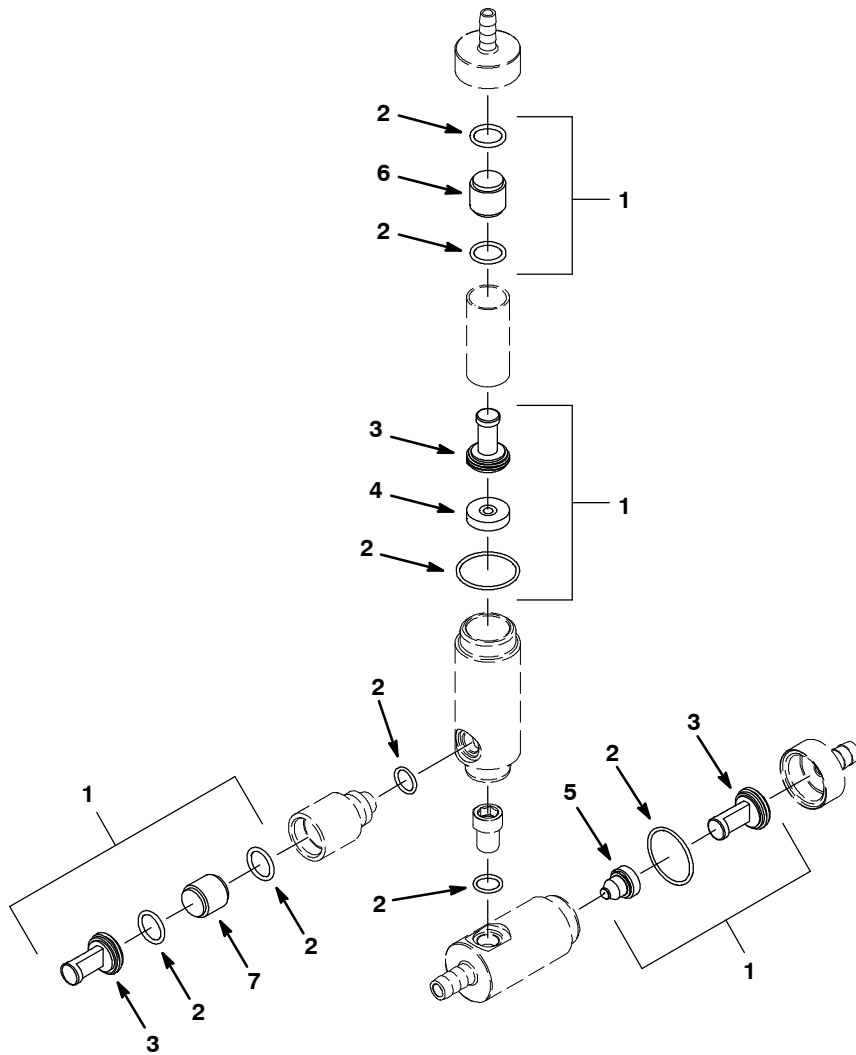
**Fig. 13 - Water Pump Breakdown, 1026743**



07490 - 09670

Ref.	Part No.	Serial Number	Description	Qty.
▽	1026743	(000000-	) Pump, Diaphragm	1
▲	1	1031802	(000000-) Complete Pump Kit, Pump, Repair,	1
▲	2	1031803	(000000-) Hsg & Switch Kit, Pump, Repair,	1
▲	3	1031796	(000000-) Switch Kit, Pump, Repair,	1
▲	4	1031797	(000000-) Chech Valve Kit, Pump, Repair,	1
▲	5	1031798	(000000-) Upper Hsg Kit, Pump, Repair,	1
▲	6	1031799	(000000-) Bypass Valve Kit, Pump, Repair,	1
▲	7	1031800	(000000-) Diaphragm Kit, Pump, Repair,	1
▲	8	1031801	(000000-) Motor Kit, Pump, Repair,	1
▲	9	78950	(000000-) Connector, Fem, 02cav, Mp280 Sealed	1
▲	10	78952	(000000-) Lock, Secondary, 2cav, Mp280 Sealed	1
▲		78951	(000000-) Terminal, Fem, Mp280, Sealed, 18-16ga	2
▲		10917	(000000-) Seal, Wire, 14/16ga [Wp / Mp280 Sealed]	2

**Fig. 14 - FaST Injector Assembly Breakdown, 9004515**



354649

Ref.	Part No.	Serial Number	Description	Qty.	
▽	9004515	(000000-	) FaST Kit, Injector, CI[M20/M30 FaST II+]	1	
▲▽	1	9004514	(000000-	) FaST Kit, Ci, Injector Rebuild[FaST II+]	1
▲▲	2	9003008	(000000-	) Fast Kit, Ci, Injector Seals [Fast li+]	1
▲▲	3	9003009	(000000-	) Fast Kit, Ci, Injector Filters[Fast li+]	1
▲▲	4	1042711	(000000-	) Plate Assy, Orifice, 0.0105id, Green	1
▲▲	5	1042710	(000000-	) Plug, Orifice, 0.060, Ss [Fast li+]	1
▲▲	6	1030444	(000000-	) Valve, Check, 0002psi [Fast li+]	1
▲▲	7	1030441	(000000-	) Valve, Check, 0005psi [Fast li+]	1

## SECTION 5

Contents	Page
Fig. 1 - Crankcase Group .....	5-2
Fig. 2 - Oil Pan Group .....	5-4
Fig. 3 - Cylinder Head Group .....	5-5
Fig. 4 - Gear Case Group .....	5-6
Fig. 5 - Water Pump Group .....	5-8
Fig. 6 - Main Bearing Case Group .....	5-9
Fig. 7 - Head Cover Group .....	5-10
Fig. 8 - Manifold Group .....	5-11
Fig. 9 - Valve, Rocker Arm Group .....	5-12
Fig. 10 - Fuel Camshaft Group .....	5-13
Fig. 11 - Camshaft Group .....	5-14
Fig. 12 - Piston and Crankshaft Group ....	5-16
Fig. 13 - Flywheel Group .....	5-18
Fig. 14 - Starter Breakdown, 74405 .....	5-20
Fig. 15 - Nozzle Holder and Glow Plug Group .....	5-22
Fig. 16 - Injection Pump Group .....	5-24
Fig. 17 - Injection Pump Breakdown .....	5-26
Fig. 18 - Idling Group .....	5-28
Fig. 19 - Speed Control Plate Group .....	5-29
Fig. 20 - Governor Group .....	5-30
Fig. 21 - Water Flange Group .....	5-31

Fig. 1 - Crankcase Group

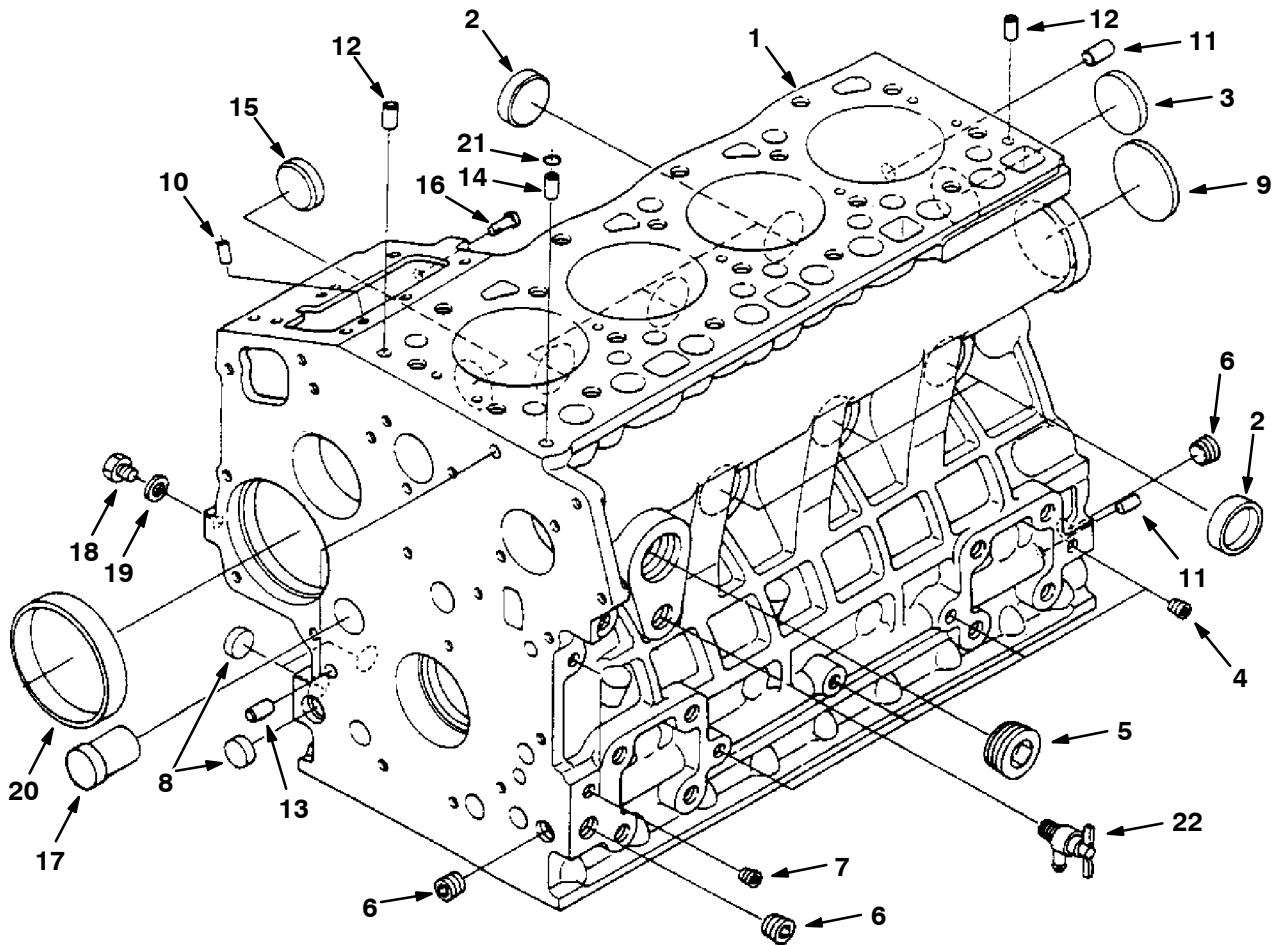
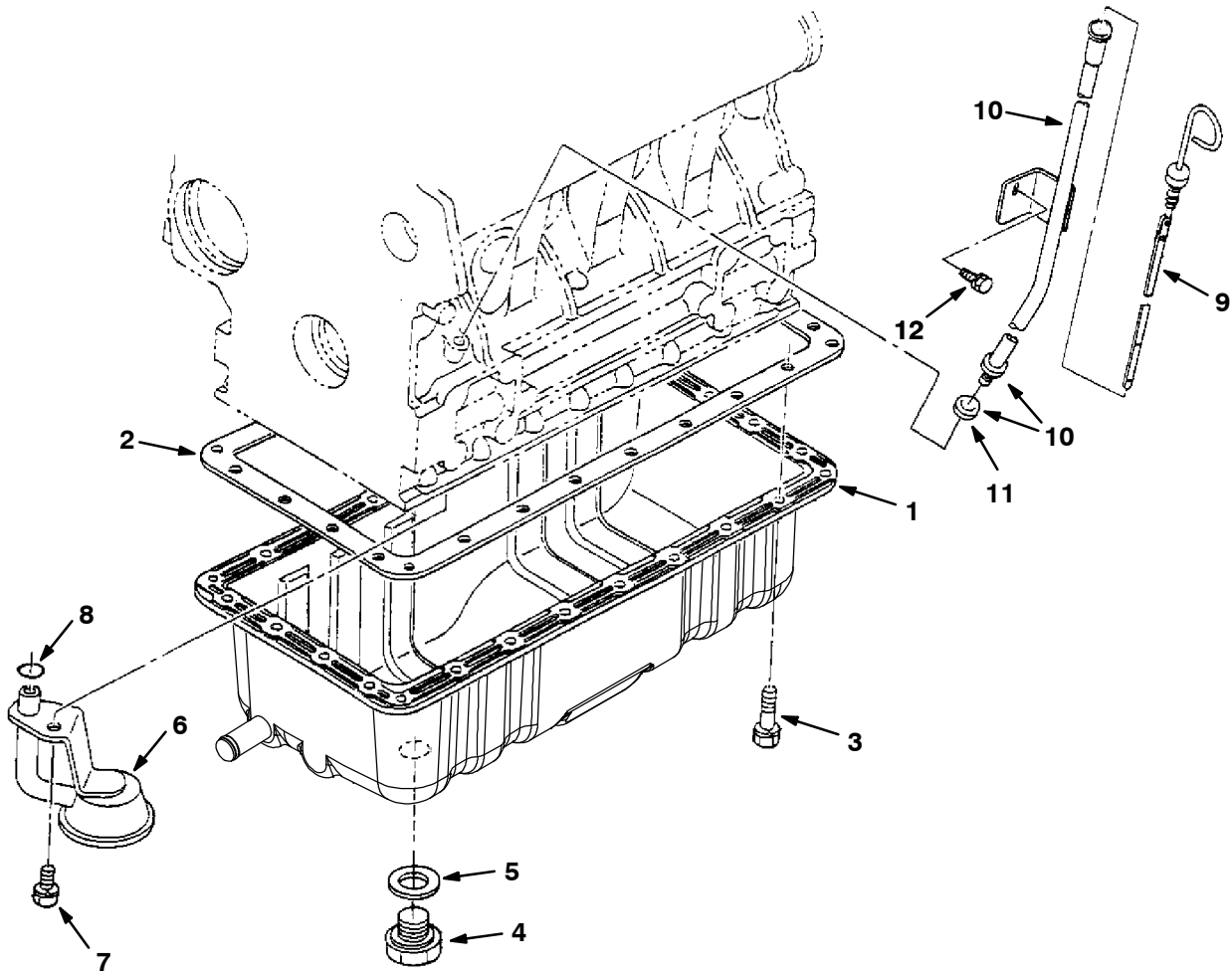




Fig. 1 - Crankcase Group

	Ref.	Part No.	Description	Qty.
▽	1	372920	Crankcase, Complt	1
▲	2	70998	Cap, Sealing	6
▲	3	39087	Cap, Sealing	1
▲	4	39088	Plug	4
▲	5	84647	Plug	1
▲	6	71985	Plug	3
▲	7	39051	Plug	2
▲	8	361436	Plug, Expansion	3
▲	9	71986	Plug, Expansion	1
▲	10	71987	Pin, Straight	2
▲	11	71988	Pin, Straight	2
▲	12	71989	Pin, Straight	2
▲	13	71990	Pin, Pipe	2
▲	14	71991	Pin, Pipe	1
▲	15	71992	Plug	1
▲	16	39105	Pin, Start Spring	1
▲	17	71993	Plug	1
▲	18	39062	Plug	1
▲	19	10895	Gasket	1
▲	20	70887	Bush, Governor Gear	1
	21	39063	O-Ring	1
	22	70888	Assembly Cock, Drain	1

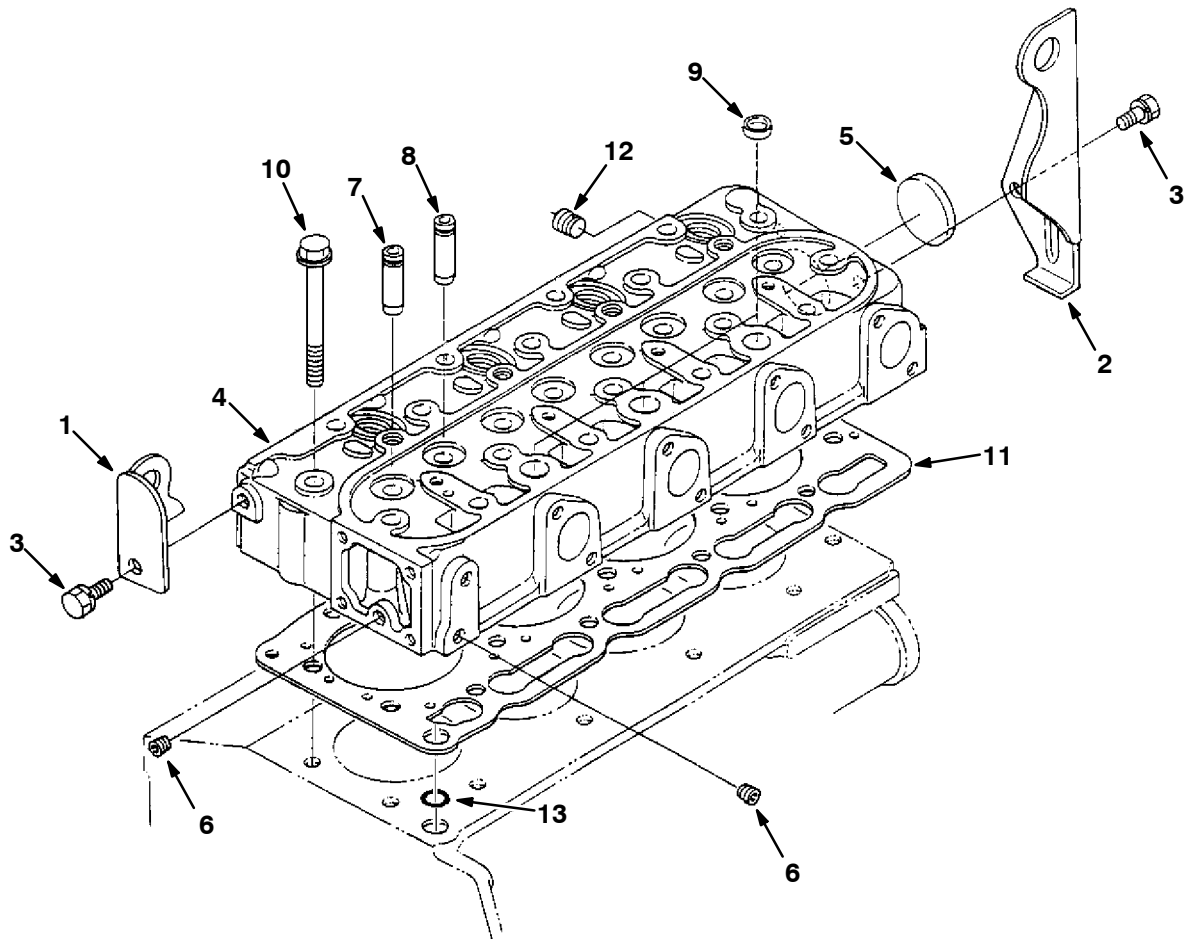
## Fig. 2 - Oil Pan Group



07409 - M20, D

Ref.	Part No.	Description	Qty.
1	1023144	Comp. Oil Pan (Rear Sump)	1
2	70889	Gasket, Oil Pan	1
3	71995	Bolt	26
4	70890	Plug, Drain	1
5	70891	Gasket	1
6	9006001	Pump, Oil, Pickup [Sump, Ku]	1
7	39094	Bolt	1
8	41792	O-Ring	1
9	70893	Gauge, Oil	1
▽ 10	361428	Guide Assy, Oil Gauge	1
▲ 11	361366	O-Ring	1
12	39073	Bolt	1
	66187	Gasket Set, Lower	1

Fig. 3 - Cylinder Head Group



07411 - M20, D

Ref.	Part No.	Description	Qty.	
1	71996	Hook, Engine 1	1	
2	71997	Hook, Engine 2	1	
3	39073	Bolt	2	
4	84631	Head, Cyl, W/O Valves	1	
▽	4	372921	Head, Cyl	1
▲	5	51331	Cap, Sealing	1
▲	6	39088	Plug	2
▲	7	70895	Guide, Inlet Valve	4
▲	8	70896	Guide, Exhaust Valve	4
▲	9	71999	Cap, Sealing	3
10	70897	Bolt, Cylinder Head	18	
11	70899	Gasket, Cyclinder Head	1	
	66194	Gasket Set, Upper	1	
12	72010	Plug	1	
13	39063	O-Ring	1	

Fig. 4 - Gear Case Group

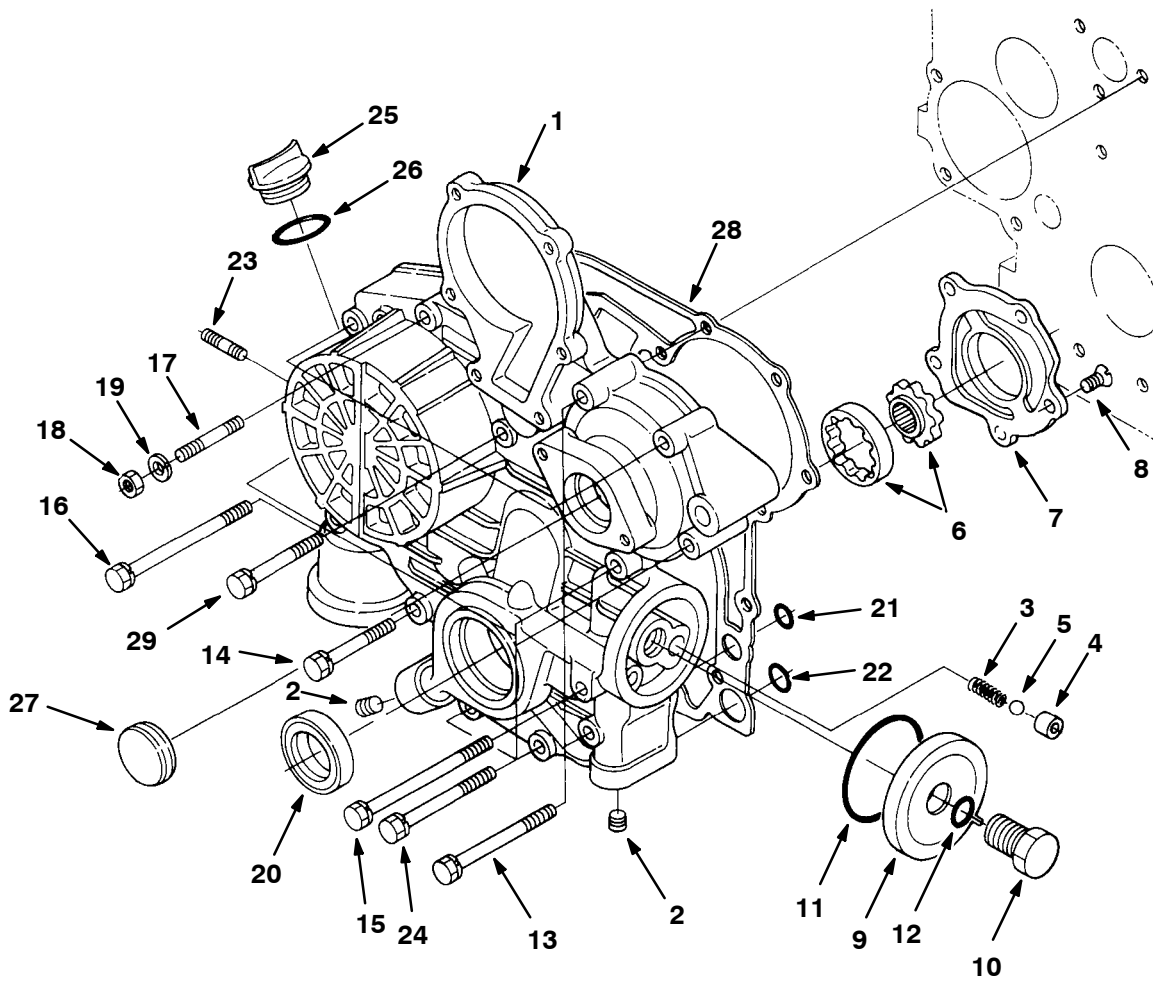
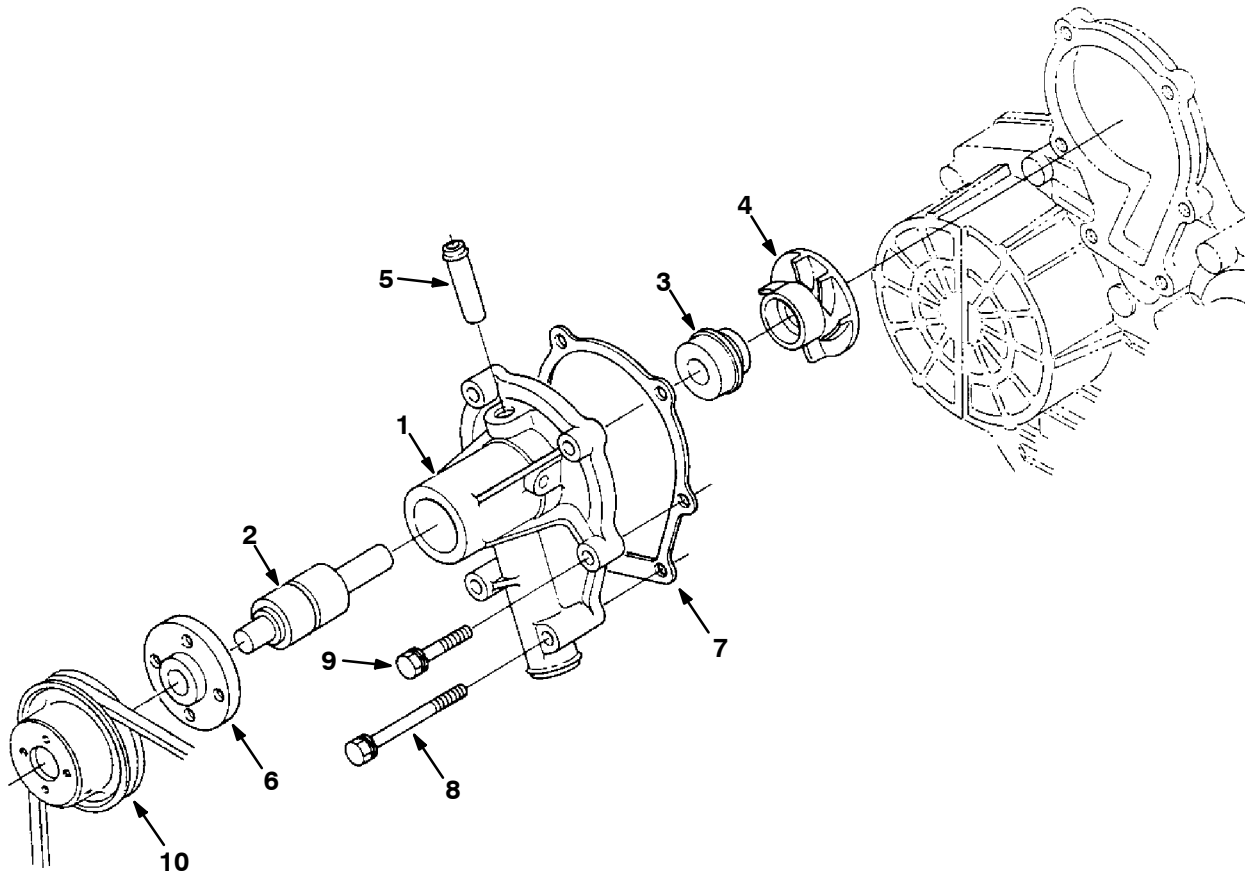


Fig. 4 - Gear Case Group

	Ref.	Part No.	Description	Qty.
▽	1	72011	Comp. Case, Gear	1
▲	2	72012	Plug	4
▲	3	70900	Spring	1
▲	4	70901	Seat, Valve	1
▲	5	70902	Ball	1
▲	6	70903	Assembly Rotor, Oil Pump	1
▲	7	70904	Cover, Oil Pump	1
▲	8	72013	Screw	5
▲	9	70905	Cover	1
▲	10	70906	Bolt	1
▲	11	70907	O-Ring	1
▲	12	39103	O-Ring	1
	13	72995	Bolt	2
	14	72014	Bolt	1
	15	72015	Bolt	2
	16	72016	Bolt	1
	17	72017	Stud	1
	18	39121	Nut	1
	19	39065	Washer, Spring	1
	20	70909	Seal, Oil	1
	21	70910	O-Ring	2
	22	70911	O-Ring	2
	23	72018	Stud	2
	24	72994	Bolt	4
	25	39161	Oil Filter, Plug	1
	26	70913	O-Ring	1
	27	70189	Cover	1
	28	70912	Gasket, Gear Case	1
	29	72993	Bolt	3

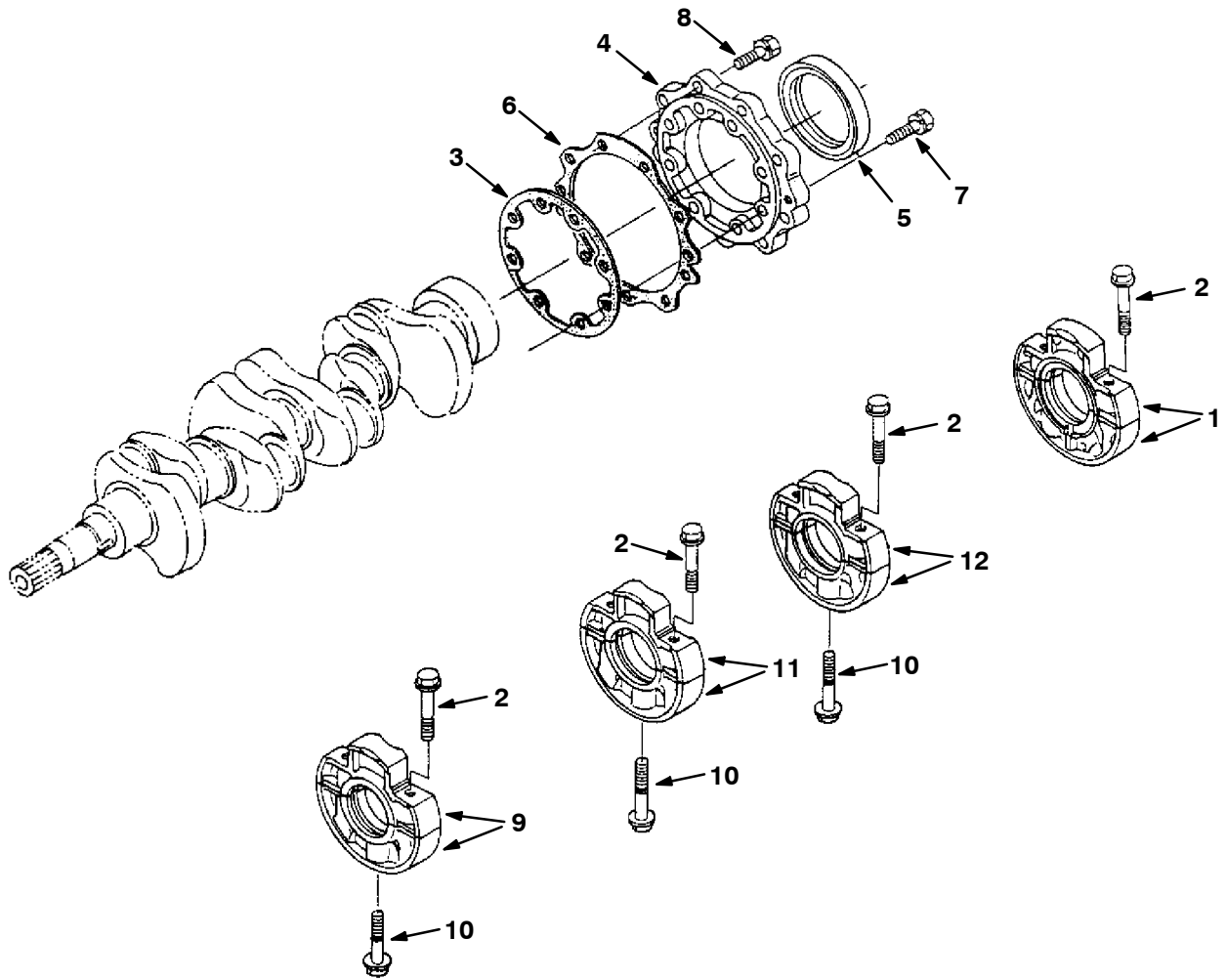
**Fig. 5 - Water Pump Group**



07415 - M20, D

Ref.	Part No.	Description	Qty.
▽	1 66205	Assembly Pump, Water	1
▲	2 70915	Bearing, Ball	1
▲	3 70916	Assembly Seal, Mechanical	1
▲	4 70917	Impeller, Water Pump	1
▲	5 361440	Fitting, Pipe, Water [Ku]	1
▲	6 70919	Flange, Pump, Water [Ku]	1
▲	7 70920	Gasket, Water Pump	1
	8 72997	Bolt	2
	9 72996	Bolt	4
	10 55847	Pully, Fan	1

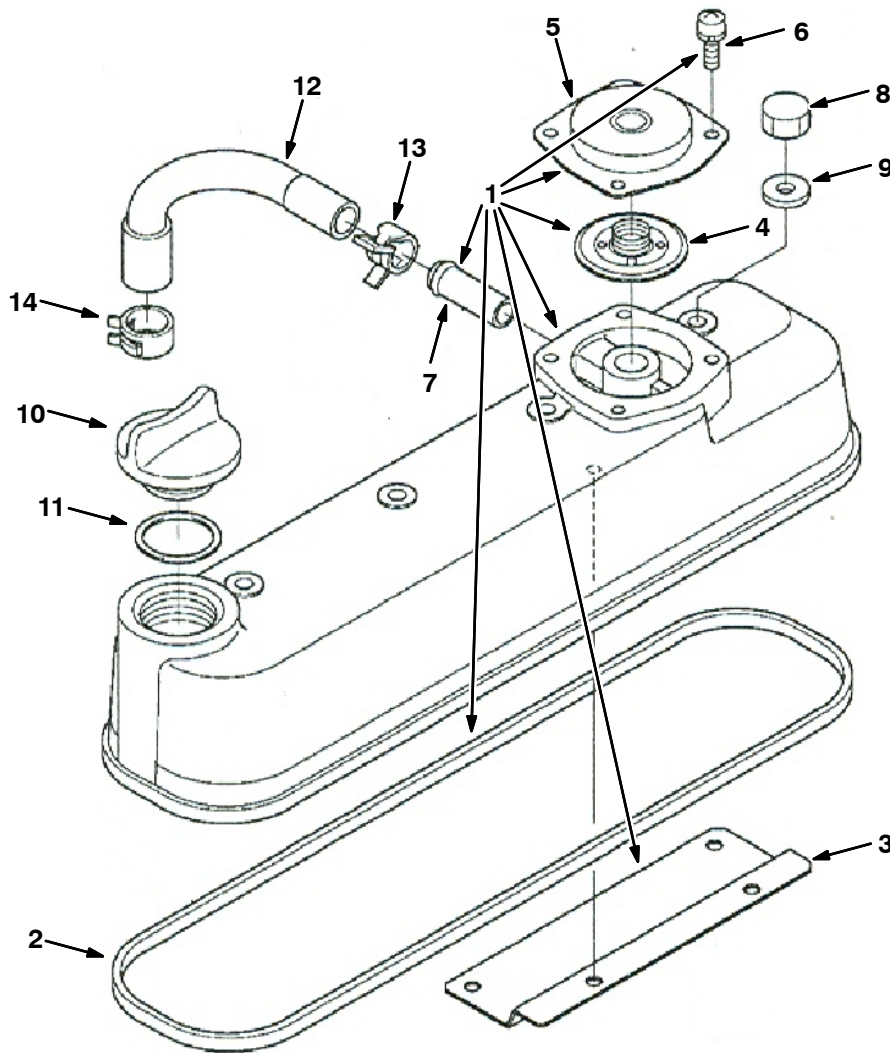
Fig. 6 - Main Bearing Case Group



07417 - M20, D

Ref.	Part No.	Description	Qty.
1	70921	Assembly Case, Main Bearing	1
2	72998	Bolt, Bearing Case 1	8
3	70922	Gasket, Bearing Case	1
4	70923	Cover, Bearing Case	1
5	70924	Seal, Oil	1
6	70925	Gasket, Bearing Case Cover	1
7	72999	Bolt	8
8	39119	Bolt	9
9	70926	Assembly Case, Main Bearing 1	1
10	73479	Bolt, Bearing Case 2	3
11	70927	Assembly Case, Main Bearing 2	1
12	70928	Assembly Case, Main Bearing 3	1

Fig. 7 - Head Cover Group

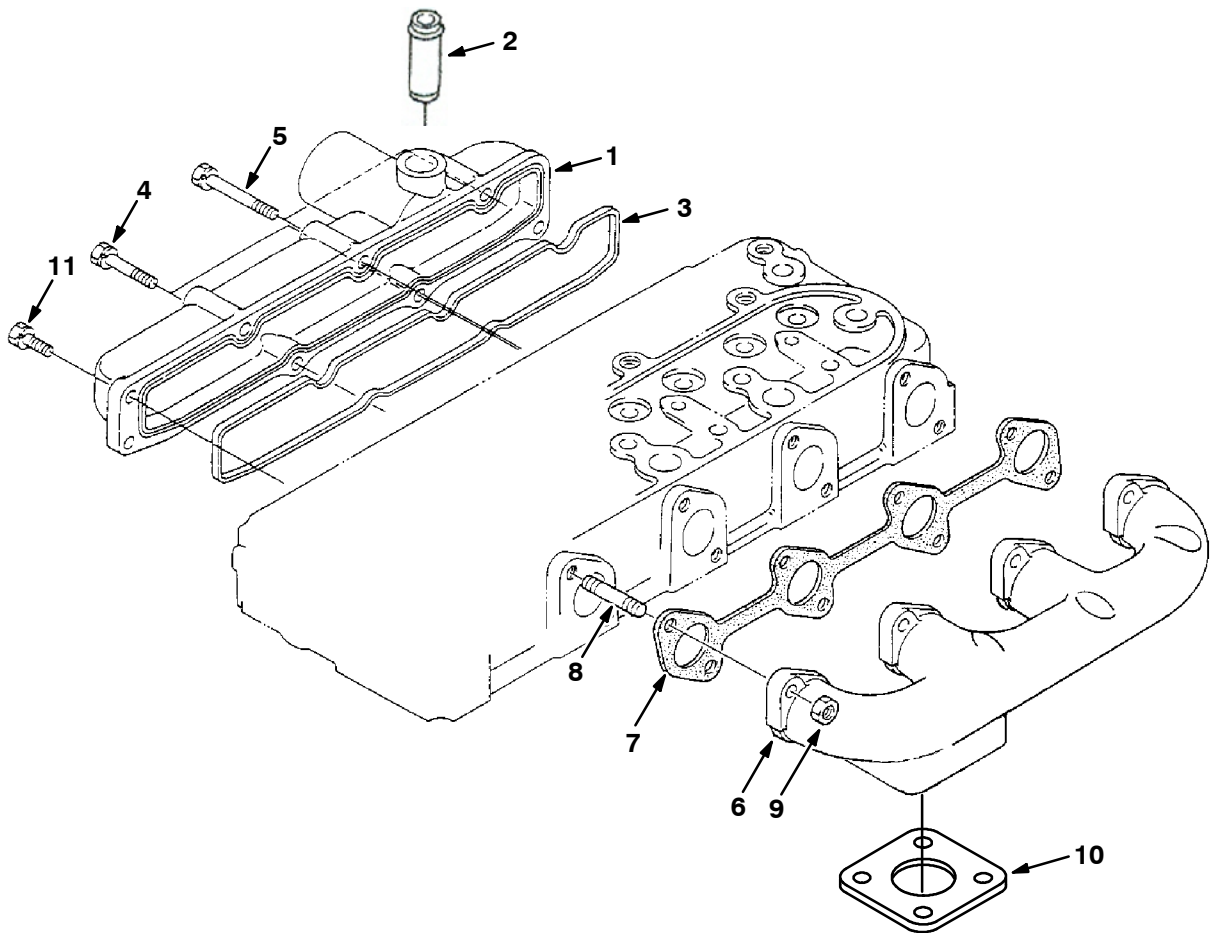


07419 - M20, D

Ref.	Part No.	Description	Qty.
▽	1 372918	Cover Assy, Head, Cyl	1
▲	2 70929	Gasket, Head Cover	1
▲	3 372912	Shield, Breather	1
▲	4 372928	Valve, Breather, Complt	1
▲	5 372927	Cover, Breather	1
▲	6 372900	Screw, Pan	4
▲	7 30125	Pipe, Water	1
	8 73483	Nut, Cap	4
	9 73484	Gasket	4
	10 361374	Plug, Oil Filler	1
	11 70913	Seal, Org	1
	12 372913	Tube, Breather	1
	13 372901	Clamp, Hose	1
	14 372904	Clamp, Hose	1



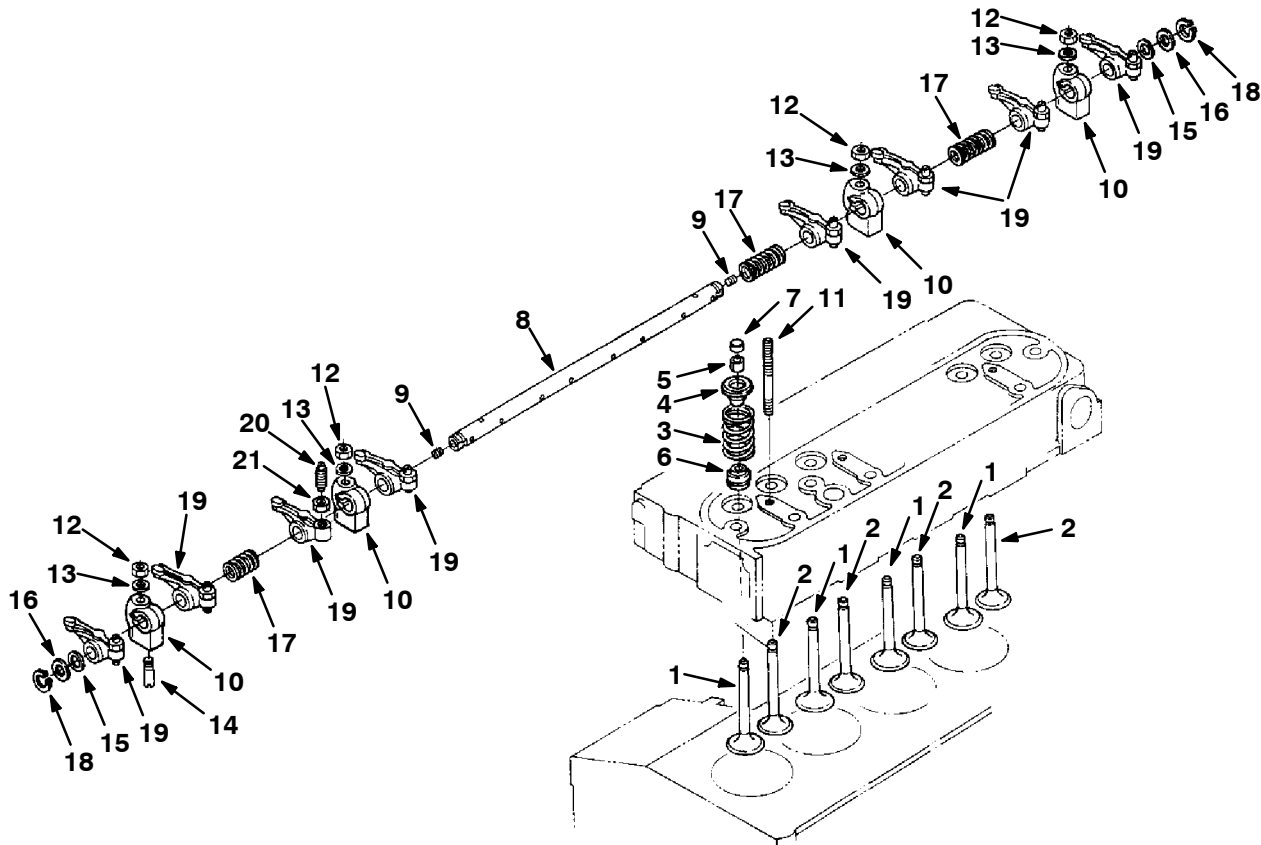
Fig. 8 - Manifold Group



07421 - M20, D

	Ref.	Part No.	Description	Qty.
▽	1	372905	Manifold Assy, Inlet	1
▲	2	73481	Pipe, Breather [Ku]	1
▲	3	70934	Gasket, Manifold, Intake [Ku]	1
	4	72996	Bolt	2
	5	72994	Bolt	3
	6	73487	Manifold, Exhaust, Front, Down	1
	7	70935	Gasket, Ex-manifold	1
	8	73488	Stud	8
	9	361427	Nut	8
	10	51332	Gasket Ku	1
	11	40409	Bolt	3

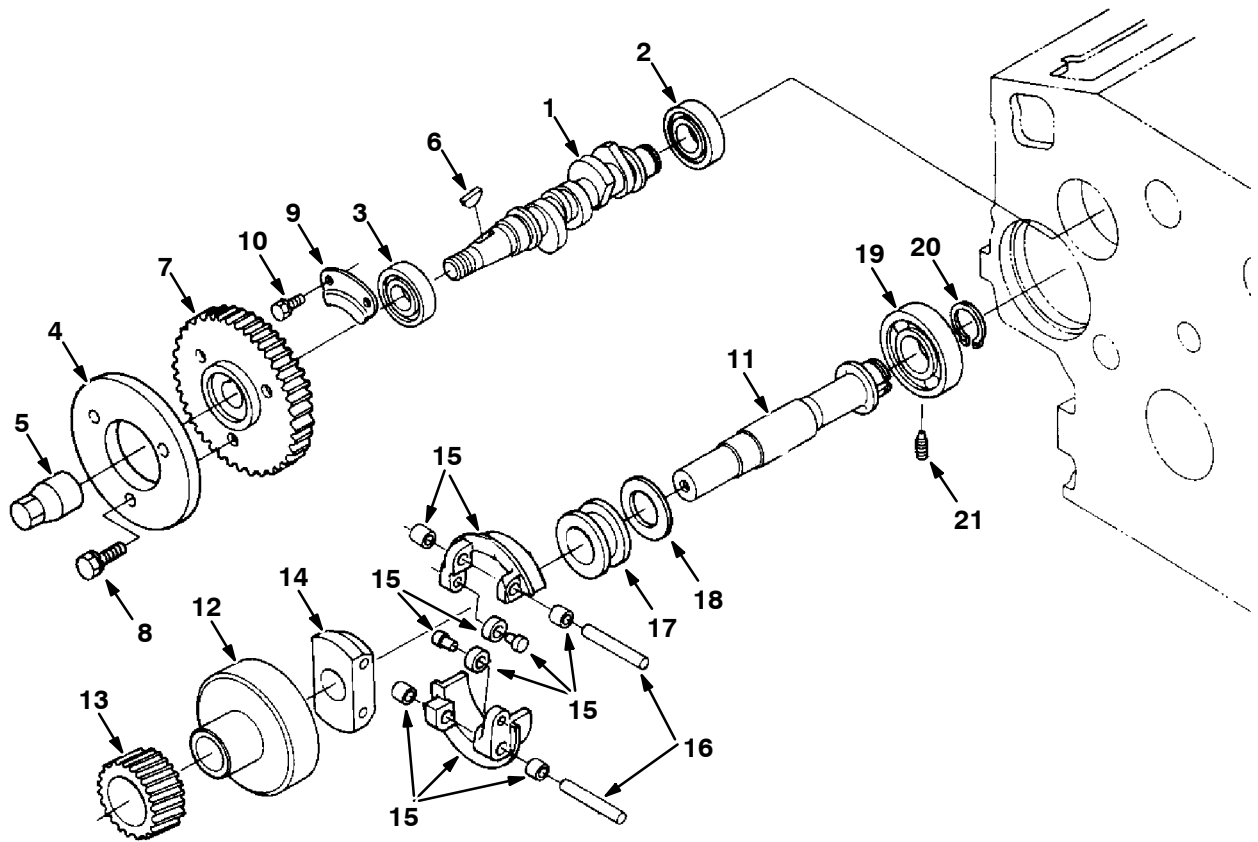
## Fig. 9 - Valve, Rocker Arm Group



07423 - M20, D

Ref.	Part No.	Description	Qty.	
1	70936	Valve, Inlet	4	
2	70937	Valve, Exhaust	4	
3	73491	Spring, Valve	8	
4	73492	Retainer, Valve Spring	8	
5	73493	Collet, Valve Spring	8	
6	73494	Seal, Valve Stem	8	
7	361392	Cap, Valve	8	
▽	8	73495	Assembly Shaft, R-arm	1
▲	9	73496	Screw, Set	2
10	73497	Bracket, Rocker Arm	4	
11	73498	Stud	4	
12	73499	Nut	4	
13	73500	Washer, Plain	4	
14	73501	Screw, Set	1	
15	73502	Washer 1	2	
16	73503	Washer 2	2	
17	73504	Spring, Rocker Arm	3	
18	73505	Cir-clip, External	2	
▽	19	73506	Assembly Rocker Arm	8
▲	20	73507	Screw, Adjusting	8
▲	21	73508	Nut	8

Fig. 10 - Fuel Camshaft Group



07441 - M20, D

Ref.	Part No.	Description	Qty.	
1	84636	Camshaft, Fuel	1	
2	70975	Bearing, Ball	1	
3	70976	Bearing, Ball	1	
4	73592	Cam, Fuel	1	
5	73593	Nut, Cap	1	
6	73594	Key, Woodruff	1	
7	73595	Gear, Injection Pump	1	
8	40409	Bolt	3	
9	73596	Stopper	1	
10	71995	Bolt	2	
▽	11	73597	Assembly Shaft, Governor	1
▲	12	73598	Holder, Governor Gear	1
▲	13	73599	Gear, Governor	1
▲	14	73600	Holder,	1
▲	15	73601	Comp. Weight, Governor	2
▲	16	73602	Shaft, Governor Weight	2
▲	17	70977	Sleeve, Governor	1
▲	18	70978	Washer, Thrust	1
	19	70979	Bearing, Ball	1
	20	73603	Cir-clip, Governor Shaft	1
	21	73604	Screw, Set	1

Fig. 11 - Camshaft Group

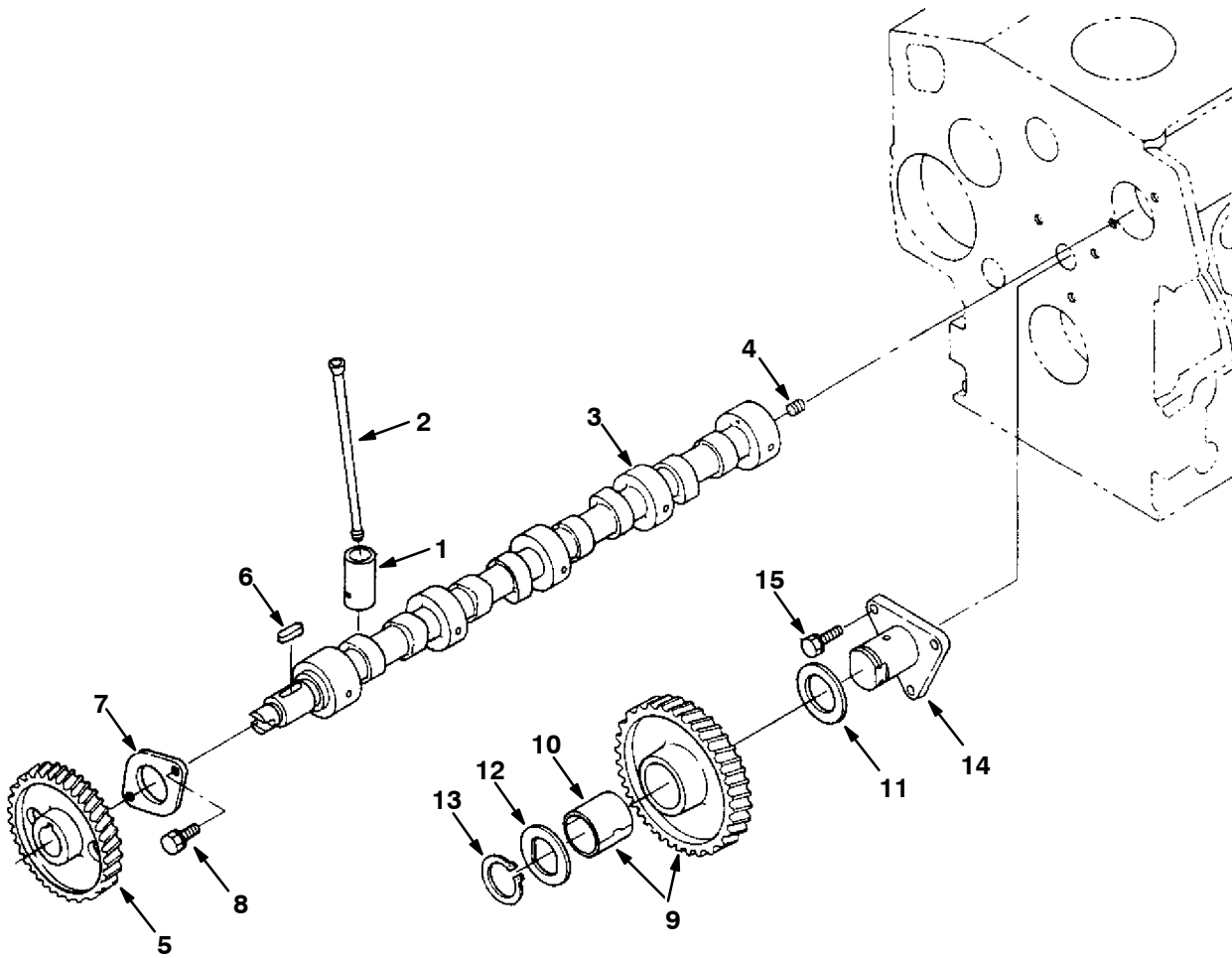


Fig. 11 - Camshaft Group

	Ref.	Part No.	Description	Qty.
	1	12895	Tappet	8
	2	73509	Push Rod	8
▽	3	73510	Assembly Camshaft	1
▲	4	39197	Screw, Set	1
▲	5	73511	Gear, Camshaft	1
▲	6	73512	Key, Feather	1
▲	7	73513	Stopper, Camshaft	1
▲	8	39160	Bolt	2
▽	9	73514	Comp Idle Gear 1	1
▲	10	73515	Bush, Idle Gear	1
	11	73516	Collar, Idle Gear 1	1
	12	73517	Collar, Idle Gear 2	1
	13	73518	Cir-clip, Idle Gear	1
	14	73519	Shaft, Idle Gear 1	1
	15	41973	Bolt	3

Fig. 12 - Piston and Crankshaft Group

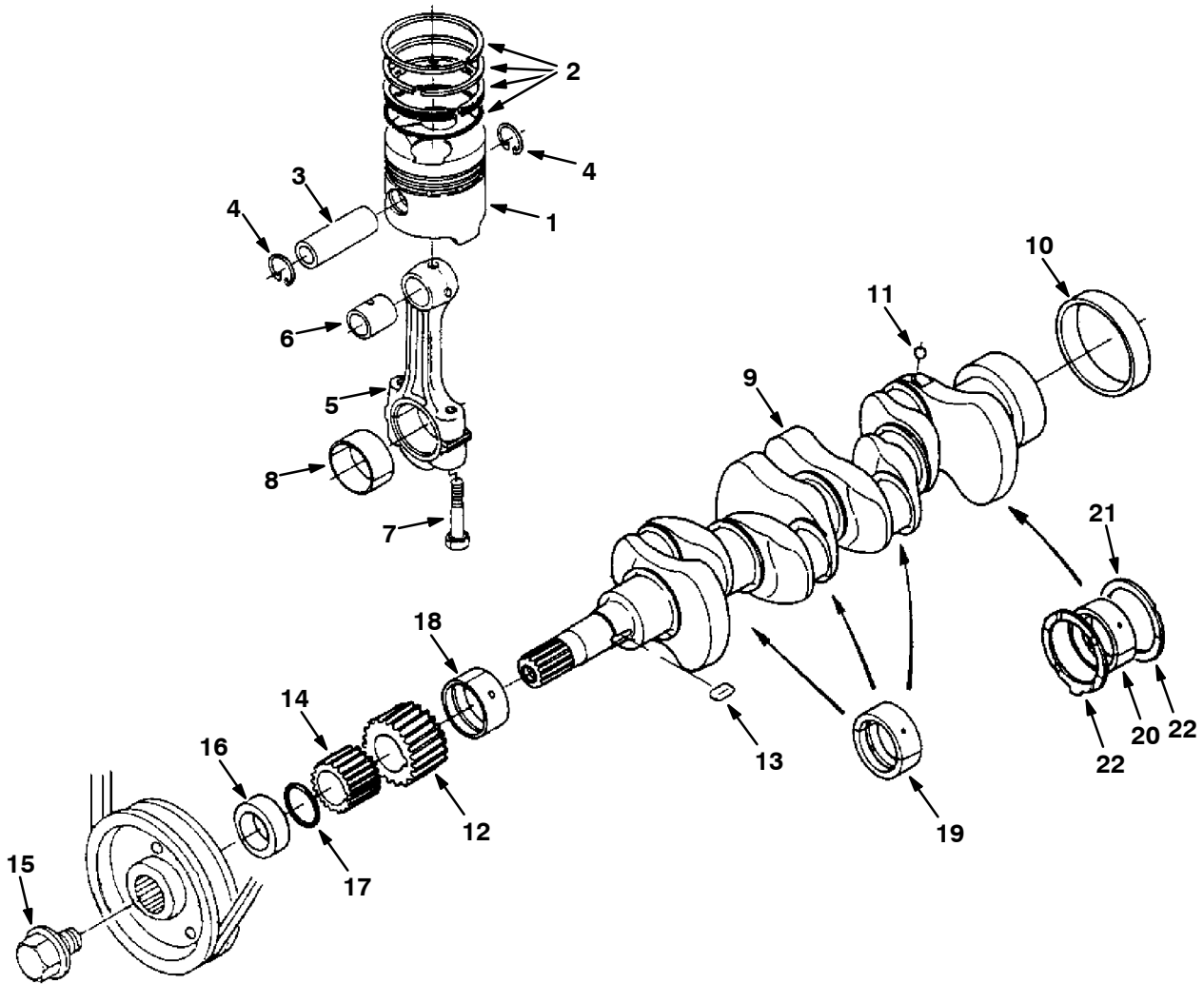
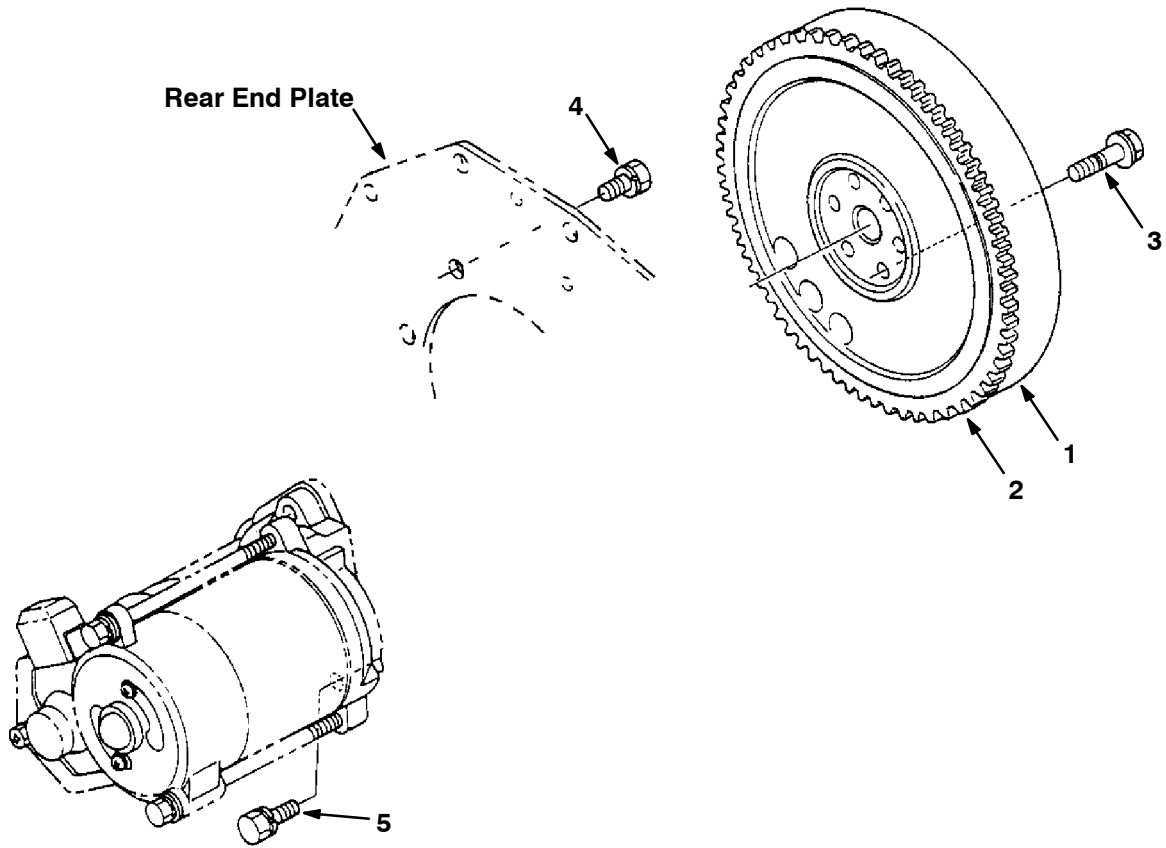


Fig. 12 - Piston and Crankshaft Group

Ref.	Part No.	Description	Qty.	
1	73520	Piston	4	
1	73521	Piston 05	4	
2	70938	Assembly Piston Ring	4	
2	70939	Assembly Piston Ring 05	4	
3	73522	Pin, Piston	4	
4	73523	Cir-clip, Piston Pin	8	
▽	5	73524	Assembly Connecting Rod	4
▲	6	70940	Bush, Piston Pin	4
▲	7	73525	Bolt, Connecting Rod	8
▲	8	70941	Metal, Crankpin	4
▲	8	66204	Metal, Crankpin 02	4
▲	8	66207	Metal, Crankpin 04	4
▽	9	73526	Comp. Crankshaft	1
▲	10	70942	Sleeve, Crankshaft	1
▲	11	73527	Ball	4
▲	12	73528	Gear, Crankshaft	1
▲	13	73529	Key	1
▲	14	73530	Gear, Oil Pump Drive	1
	15	73532	Bolt	1
	16	70943	Collar, Crankshaft	1
	17	70944	O-Ring	1
	18	70945	Metal, Crankshaft 1	1
	18	70946	Metal, Crankshaft1 02	1
	18	70947	Metal, Crankshaft1 04	1
	19	70948	Metal, Crankshaft 2	3
	19	70949	Metal, Crankshaft2 02	3
	19	70950	Metal, Crankshaft2 04	3
	20	70951	Metal, Crankshaft 3	1
	20	70952	Metal, Crankshaft3 02	1
	20	70953	Metal, Crankshaft3 04	1
	21	10844	Metal, Side 1	2
	21	70954	Metal, Side 1 02	2
	21	70955	Metal, Side 1 04	2
	22	10845	Metal, Side 2	2
	22	30121	Metal, Side 2 02	2
	22	30122	Metal, Side 2 04	2

Fig. 13 - Flywheel Group





**Fig. 13 - Flywheel Group**

	<b>Ref.</b>	<b>Part No.</b>	<b>Description</b>	<b>Qty.</b>
▽	1	70956	Comp. Flywheel	1
▲	2	70957	Gear, Ring	1
	3	73533	Bolt, Flywheel	6
	4	73534	Bolt	8
	5	73535	Bolt	2

Fig. 14 - Starter Breakdown, 74405

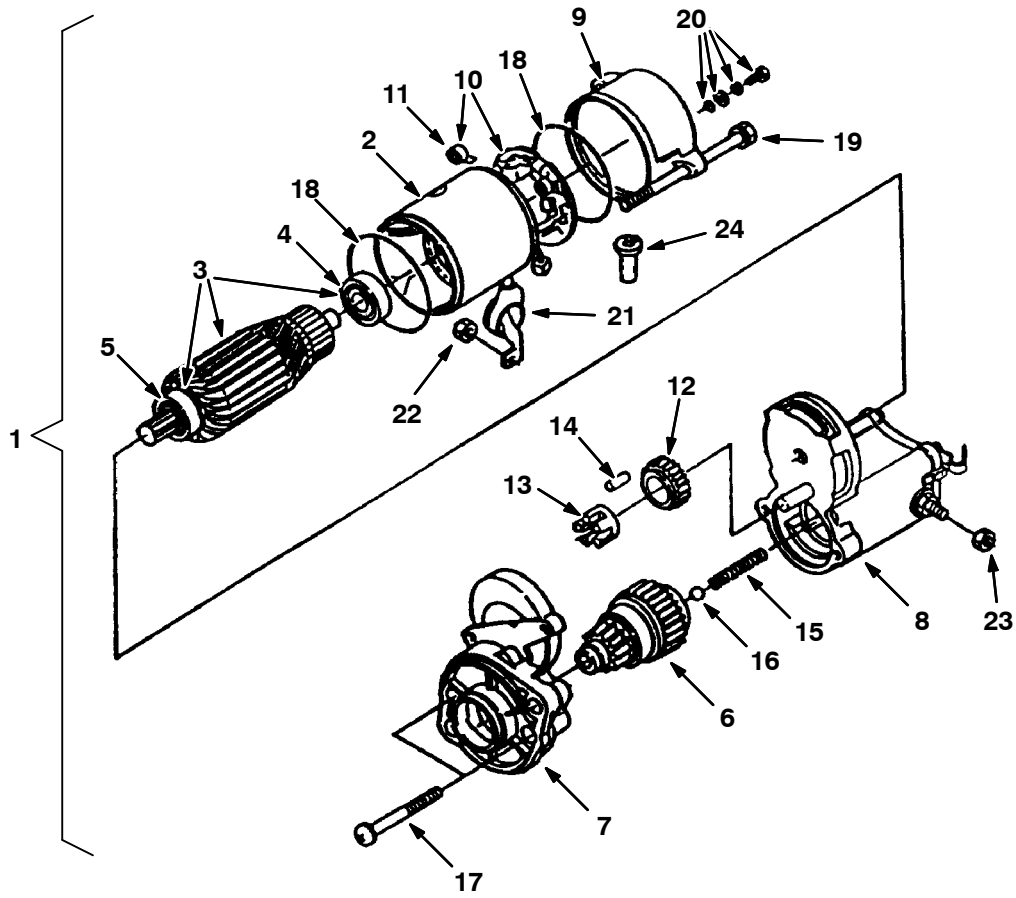


Fig. 14 - Starter Breakdown, 74405

	Ref.	Part No.	Description	Qty.
▽	1	74405	Assy Starter	1
▲	2	70196	Assy Yoke	1
▲▽	3	70197	Assy Armature	1
▲▲	4	70198	Bearing	1
▲▲	5	70199	Bearing	1
▲	6	70200	Clutch, Over Running	1
▲	7	70201	Frame, Drive End	1
▲	8	70202	Assy Switch, Magneto	1
▲	9	70203	Frame, End	1
▲▽	10	70204	Assy Holder, Brush	1
▲▲	11	70205	Spring, Brush	4
▲	12	70206	Gear	1
▲	13	70207	Retainer	1
▲	14	73545	Roller	5
▲	15	70208	Spring	1
▲	16	73547	Ball	1
▲	17	70209	Bolt	2
▲	18	20433	O-Ring	2
▲	19	70210	Bolt	2
▲	20	20432	Assy Bolt	2
▲	21	70211	Cover	1
▲	22	73551	Nut, Hexagon	1
▲	23	70212	Nut, Hexagon	1
▲	24	70213	Pipe, Drain	1

Fig. 15 - Nozzle Holder and Glow Plug Group

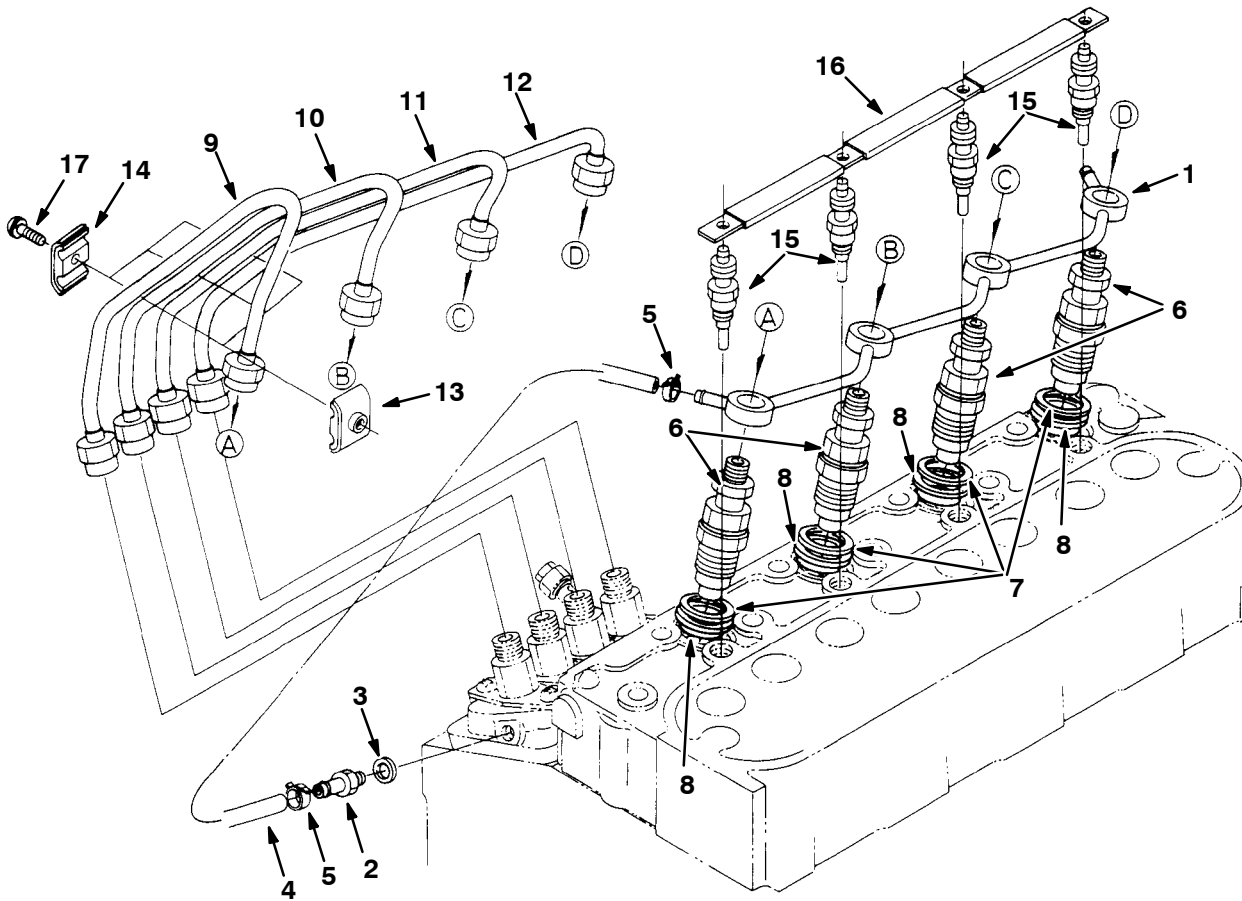


Fig. 15 - Nozzle Holder and Glow Plug Group

Ref.	Part No.	Description	Qty.	
	1	73554	Pipe, Over Flow	1
	2	73555	Screw	1
	3	40166	Gasket	1
▽	4	361373	Assembly Pipe, Over Flow	1
▲	5	361368	Band, Pipe	2
▽	6	372917	Housing Assy, Nozzle	4
▲	7	70964	Gasket	1
▲	8	20719	Seal, Heat	1
	9	70965	Pipe, Injection 1	1
	10	70966	Pipe, Injection 2	1
	11	70967	Pipe, Injection 3	1
	12	70968	Pipe, Injection 4	1
	13	30131	Clamp, Pipe 1	3
	14	30132	Clamp, Pipe 2	3
	15	84638	Plug, Glow	4
	16	73560	Cord, Glow Plug	1
	17	39508	Screw, With Washer	3

Fig. 16 - Injection Pump Group

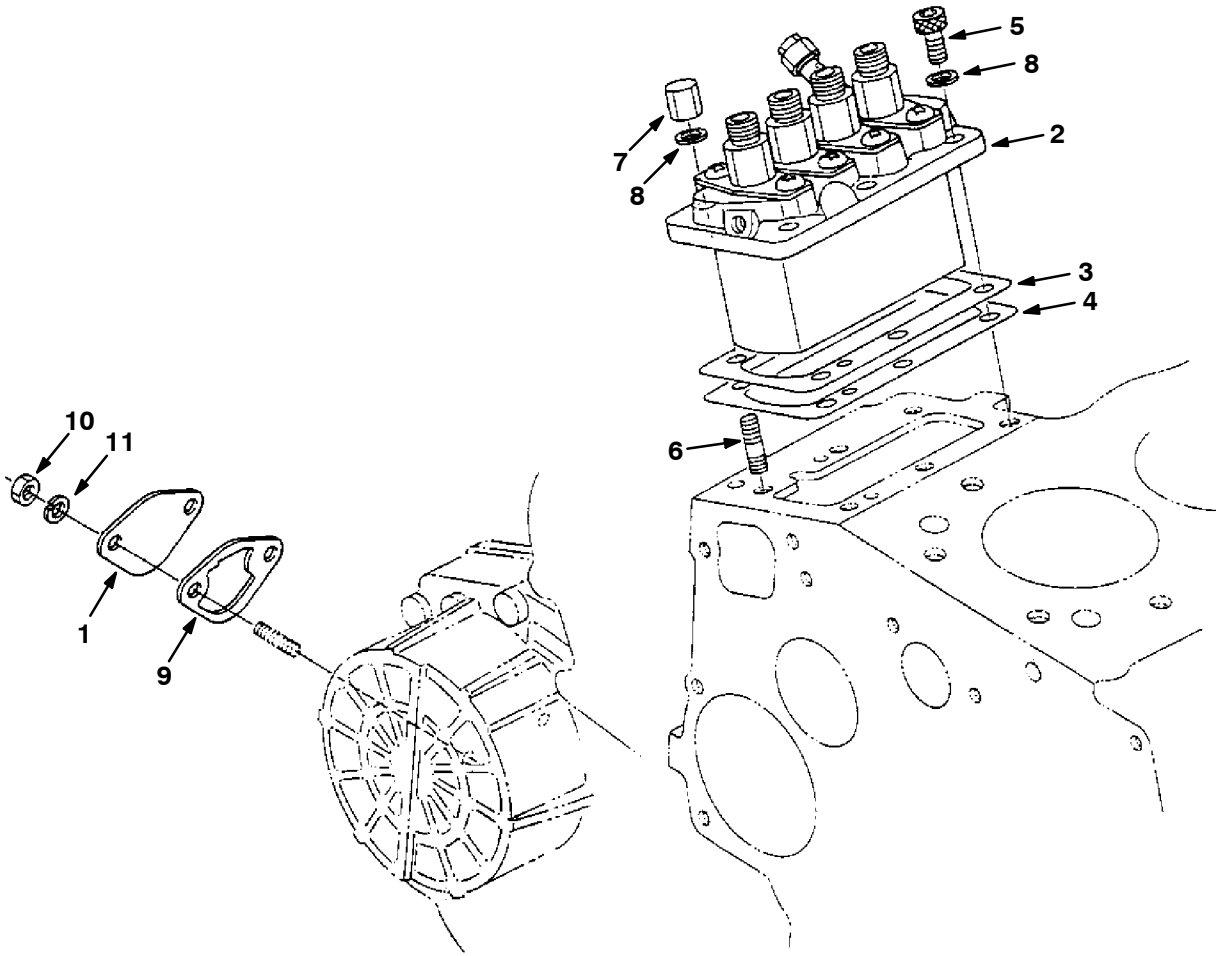


Fig. 16 - Injection Pump Group

Ref.	Part No.	Description	Qty.
1	73565	Fuel Pump Cover Plate	1
2	84635	Assembly Pump, Injection (See Injection Pump Breakdown)	1
3	70972	Shim, Injection Pump 0.20 mm	1
4	70973	Shim, Injection Pump 0.25 mm	2
4	84644	Shim, Injection Pump 0.30 mm	1
5	73561	Bolt	3
6	73562	Stud	3
7	73563	Nut, Cap	3
8	39065	Washer, Spring	6
9	70974	Gasket, Fuel Pump	1
10	39121	Nut	2
11	39065	Washer, Spring	2

Fig. 17 - Injection Pump Breakdown

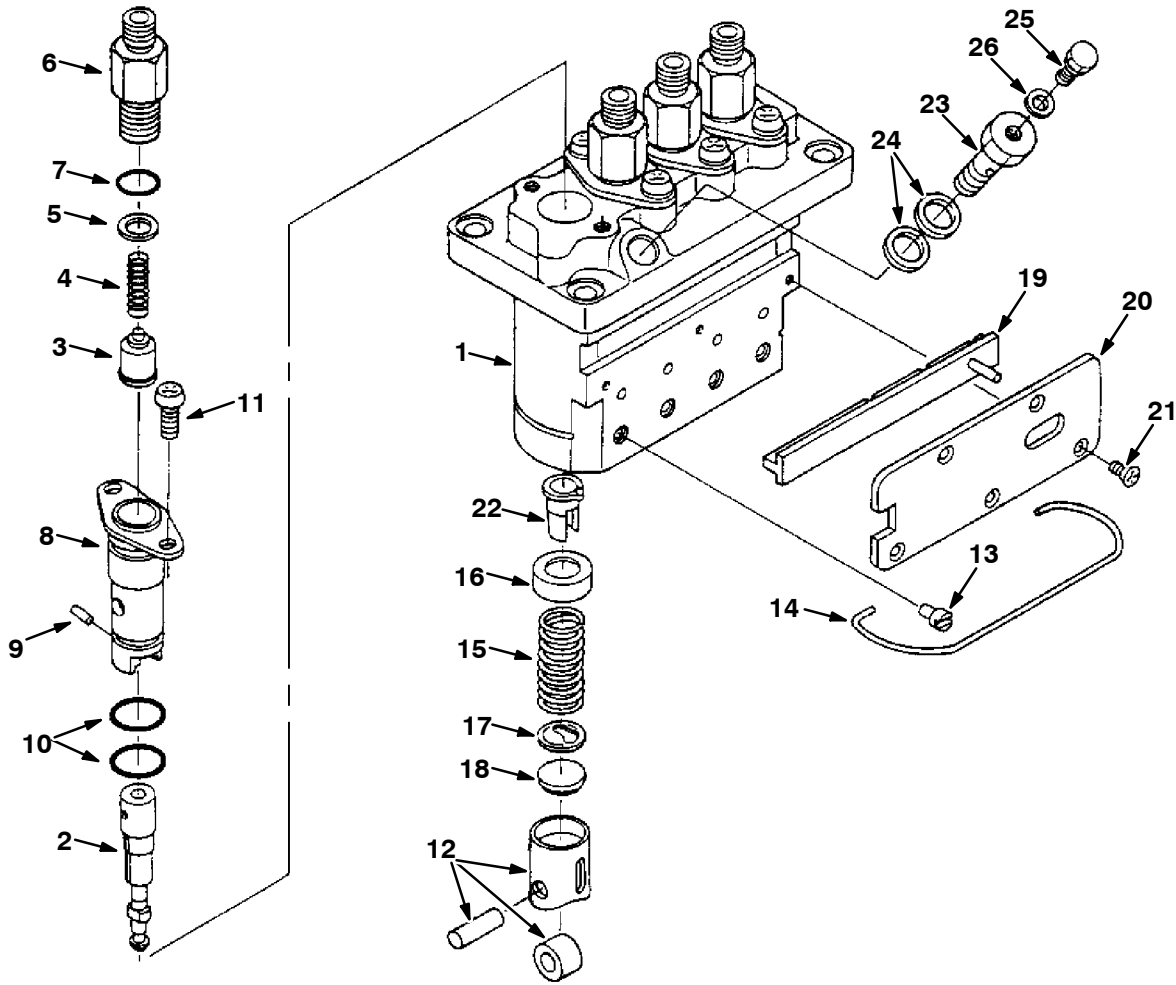
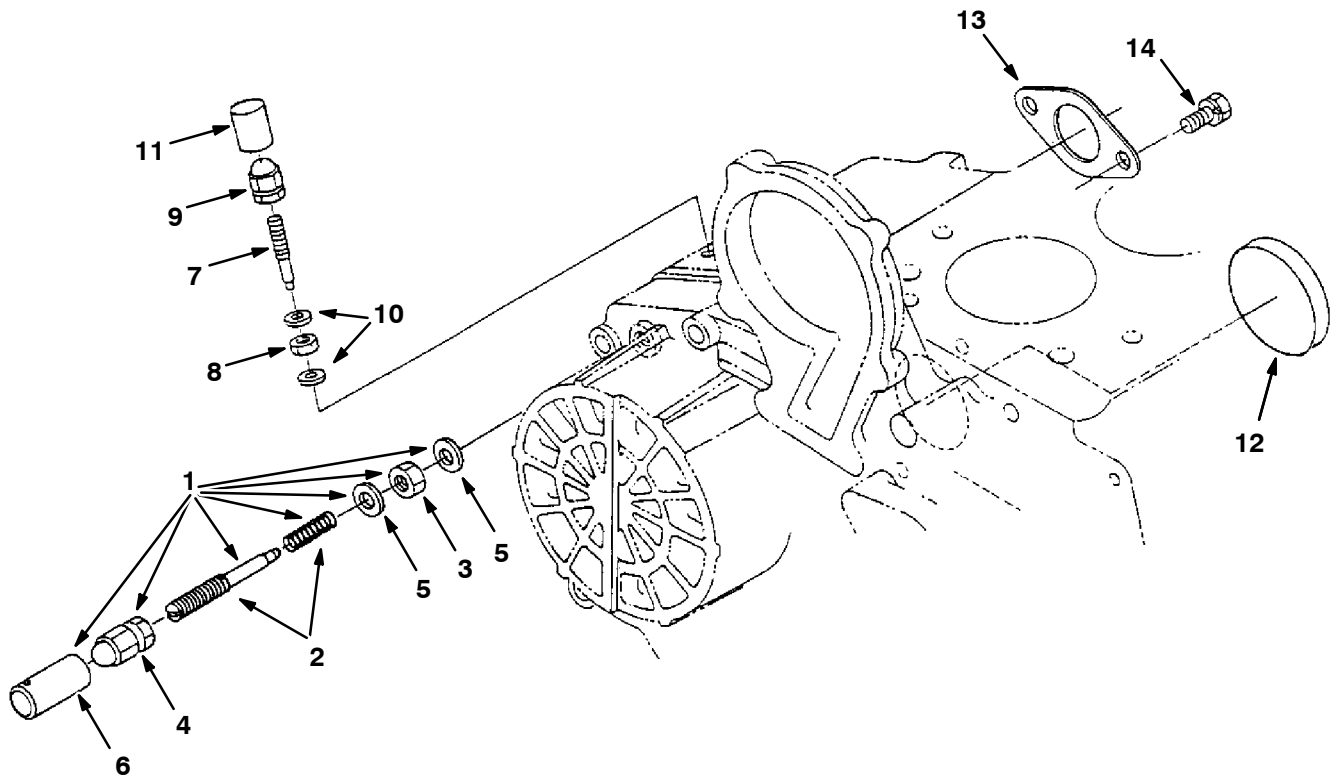




Fig. 17 - Injection Pump Breakdown

	Ref.	Part No.	Description	Qty.
▽	1	84635	Assembly Pump, Injection	1
▲	2	84648	Plunger, Pump	4
▲	3	73567	Valve, Delivery	4
▲	4	73568	Spring, Delivery Valve	4
▲	5	73569	Gasket, Delivery Valve	4
▲	6	73570	Holder, Delivery Valve	4
▲	7	73571	O-Ring	4
▲	8	73572	Flange, Sleeve	4
▲	9	73573	Pin, Joint	4
▲	10	73574	O-Ring	8
▲	11	73575	Screw	8
▲	12	73576	Assembly Tappet	4
▲	13	73577	Pin, Tappet Guide	4
▲	14	73578	Pin, Clamp	1
▲	15	73579	Spring, Plunger	4
▲	16	73580	Seat, Spring Upper	4
▲	17	73581	Seat, Spring Lower	4
▲	18	73582	Shim	1
▲	19	84649	Rack, Control	1
▲	20	84650	Plate	1
▲	21	73585	Screw	5
▲	22	73586	Sleeve, Control	4
▲	23	84651	Screw, Follow	1
▲	24	73588	Gasket	2
▲	25	73589	Screw	1
▲	26	73590	Gasket	1

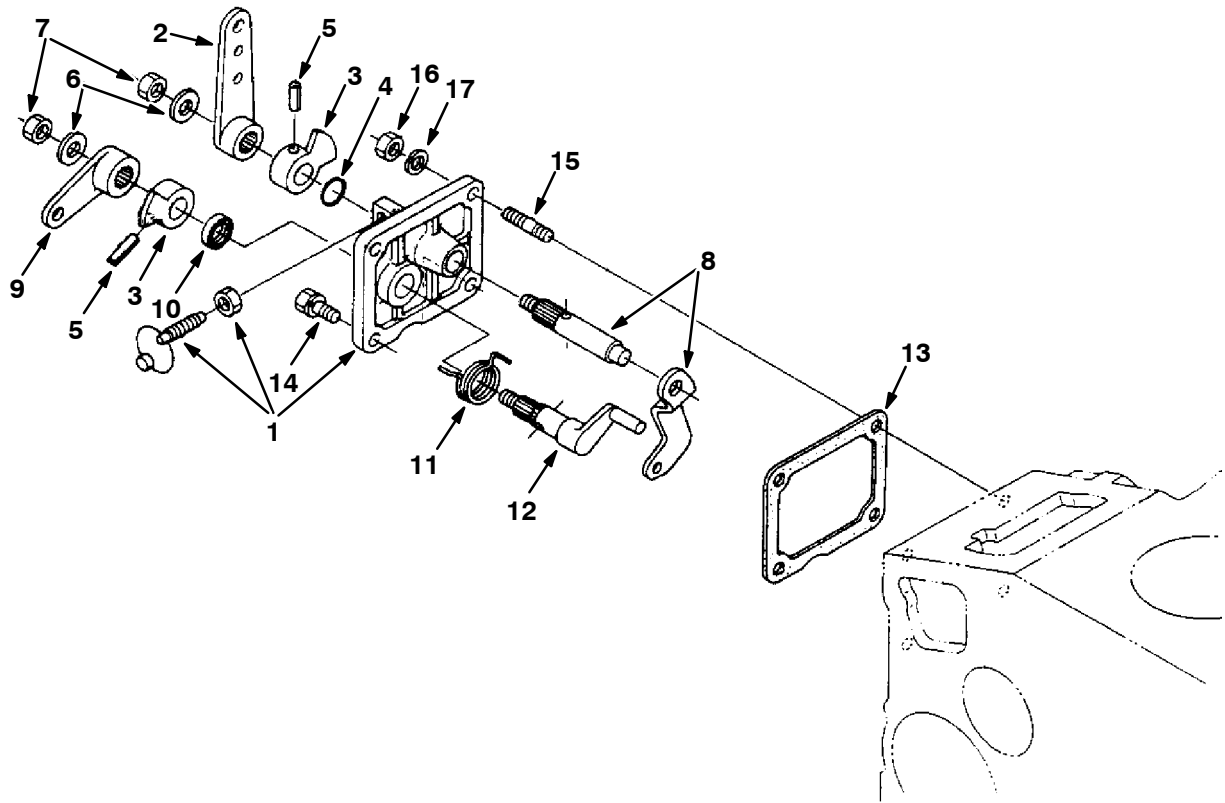
Fig. 18 - Idling Group



07443 - M20, D

Ref.	Part No.	Description	Qty.	
▽	1	70980	Assembly Apparatus, Idle	1
▲	2	73605	Assembly Bolt, Adjusting	1
▲	3	73606	Nut	1
▲	4	73607	Nut, Cap	1
▲	5	40166	Gasket	2
▲	6	30136	Cap	1
	7	73610	Bolt, Adjusting	1
	8	73606	Nut	1
	9	73607	Nut, Cap	1
	10	40166	Gasket	2
	11	30136	Cap	1
	12	70188	Cover	1
	13	70165	Gasket, Thrtl Blk	1
	14	39160	Bolt	2

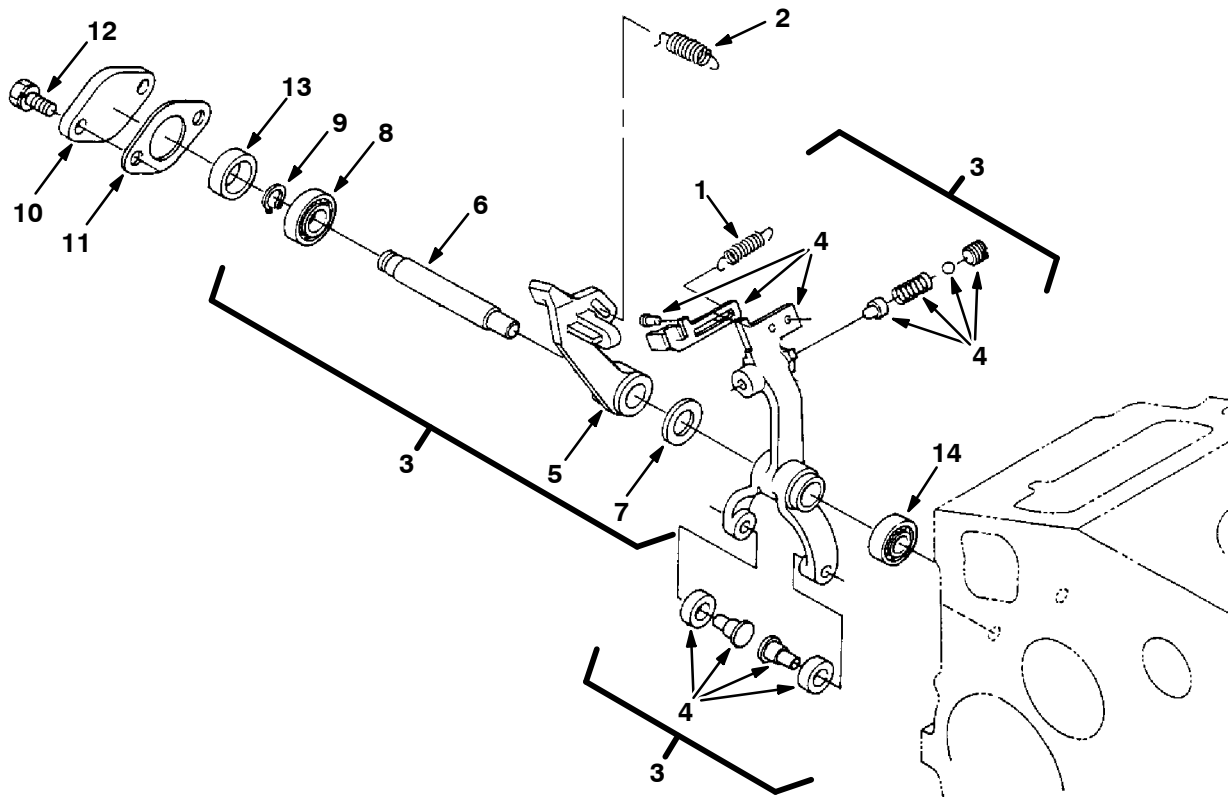
Fig. 19 - Speed Control Plate Group



07445 - M20, D

Ref.	Part No.	Description	Qty.
▽	1 70982	Assembly Plate, Control	1
▲	2 73618	Lever, Speed Control	1
▲	3 73619	Lever, Speed Control	2
▲	4 73620	O-Ring	1
▲	5 40407	Pin, Spring	2
▲	6 73621	Washer, Plain	2
▲	7 73622	Nut	2
▲	8 73623	Comp. Lever, Governor	1
▲	9 73624	Lever, Engine Stop	1
▲	10 70983	Seal, Oil	1
▲	11 73625	Spring, Return	1
▲	12 73626	Shaft, Stop Lever	1
	13 70984	Gasket	1
	14 41973	Bolt	2
	15 72018	Stud	2
	16 39121	Nut	2
	17 39065	Washer, Spring	2

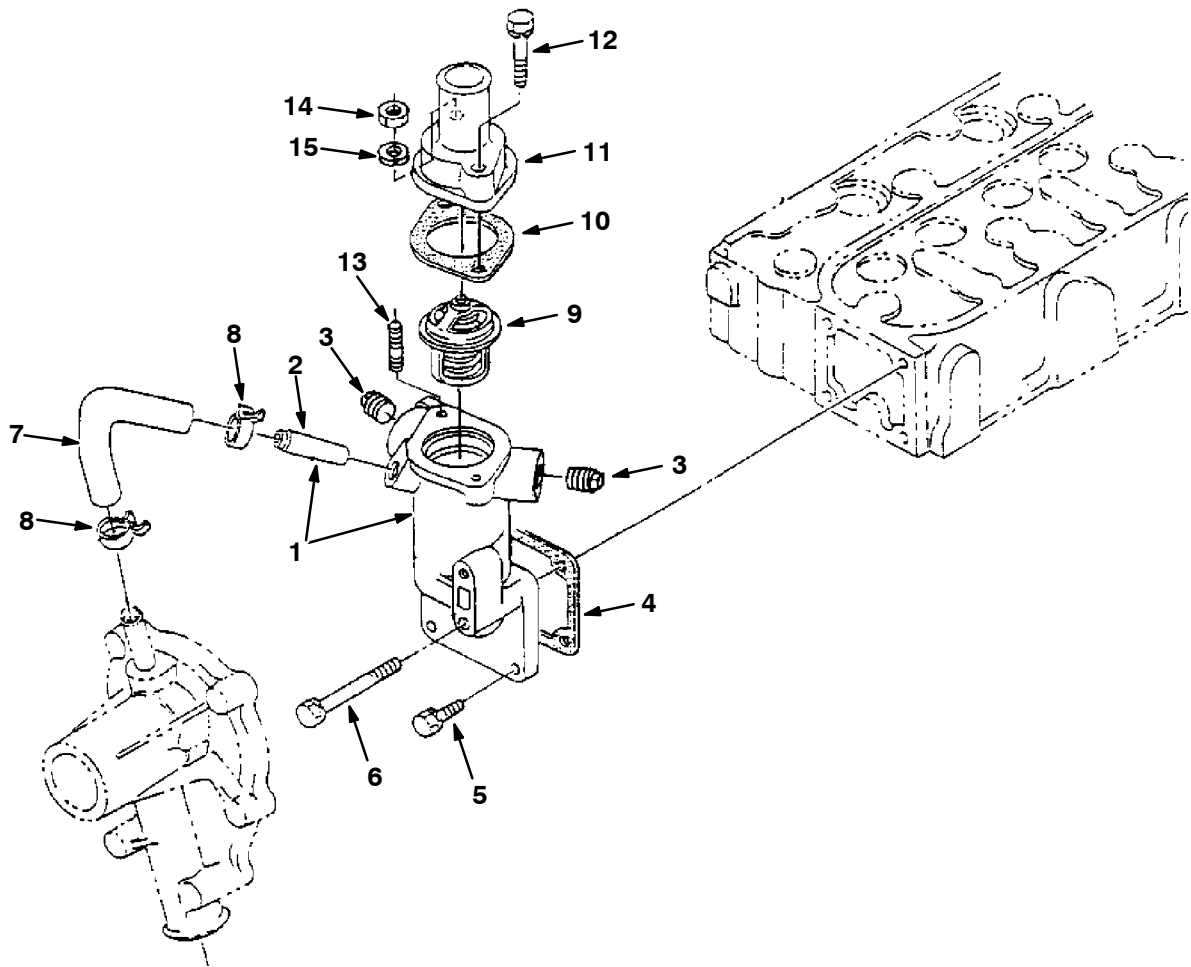
Fig. 20 - Governor Group



07447 - M20, D

Ref.	Part No.	Description	Qty.
1	70985	Spring, Start	1
2	70986	Spring, Governor	1
▽ 3	73627	Assembly Lever, Fork	1
▲ 4	70987	Comp. Lever, Fork 1	1
▲ 5	73628	Lever, Fork 2	1
▲ 6	73629	Shaft, Fork Lever	1
▲ 7	70988	Washer, Plain	1
▲ 8	70989	Bearing, Ball	1
▲ 9	73630	Cir-clip, External	1
10	73631	Cover, Fork Lever Shaft	1
11	361430	Gasket	1
12	39160	Bolt	2
13	70991	Collar 1	1
14	70992	Bearing, Ball	1

Fig. 21 - Water Flange Group



07451 - M20, D

Ref.	Part No.	Description	Qty.
▽	1 368090	Flange, Water [Ku]	1
▲	2 361440	Fitting, Pipe, Water [Ku]	1
	3 73632	Fitting, Pipe, Plug [Ku]	2
	4 70994	Gasket, Hsg, Thermostat [Ku]	1
	5 41973	Bolt, Hex [Ku]	3
	6 72995	Screw, Hex [Ku]	1
	7 73633	Hose, Water [Ku]	1
	8 73634	Clamp, Hose, Heater [Ku]	2
	9 10852	Thermostat, 180deg, 1.7d [Ku]	1
	10 10851	Gasket	1
	11 368091	Housing, Thermostat [Ku]	1
	12 72996	Screw, Hex [Ku]	1
	13 73636	Stud	1
	14 39121	Nut, Hex [Ku]	1
	15 39065	Washer, Lock, Split [Ku]	2



## SECTION 6

<b>Contents</b>	<b>Page</b>
Fig. 1 - Crankcase Group .....	6-2
Fig. 2 - Oil Pan Group .....	6-4
Fig. 3 - Cylinder Head Group .....	6-5
Fig. 4 - Gear Case Group .....	6-6
Fig. 5 - Water Pump Group .....	6-8
Fig. 6 - Main Bearing Case Group .....	6-9
Fig. 7 - Head Cover Group .....	6-10
Fig. 8 - Manifold Group .....	6-11
Fig. 9 - Valve, Rocker Arm Group .....	6-12
Fig. 10 - Fuel Camshaft Group .....	6-13
Fig. 11 - Camshaft Group .....	6-14
Fig. 12 - Piston and Crankshaft Group .....	6-16
Fig. 13 - Flywheel Group .....	6-18
Fig. 14 - Starter Breakdown, 74405 .....	6-19
Fig. 15 - Nozzle Holder and Glow Plug Group .	6-20
Fig. 16 - Nozzle Holder Breakdown .....	6-21
Fig. 17 - Injection Pump Group .....	6-22
Fig. 18 - Injection Pump Breakdown .....	6-24
Fig. 19 - Idling Group .....	6-26
Fig. 20 - Speed Control Plate Group .....	6-27
Fig. 21 - Governor Group .....	6-28
Fig. 22 - Water Flange Group .....	6-29

Fig. 1 - Crankcase Group

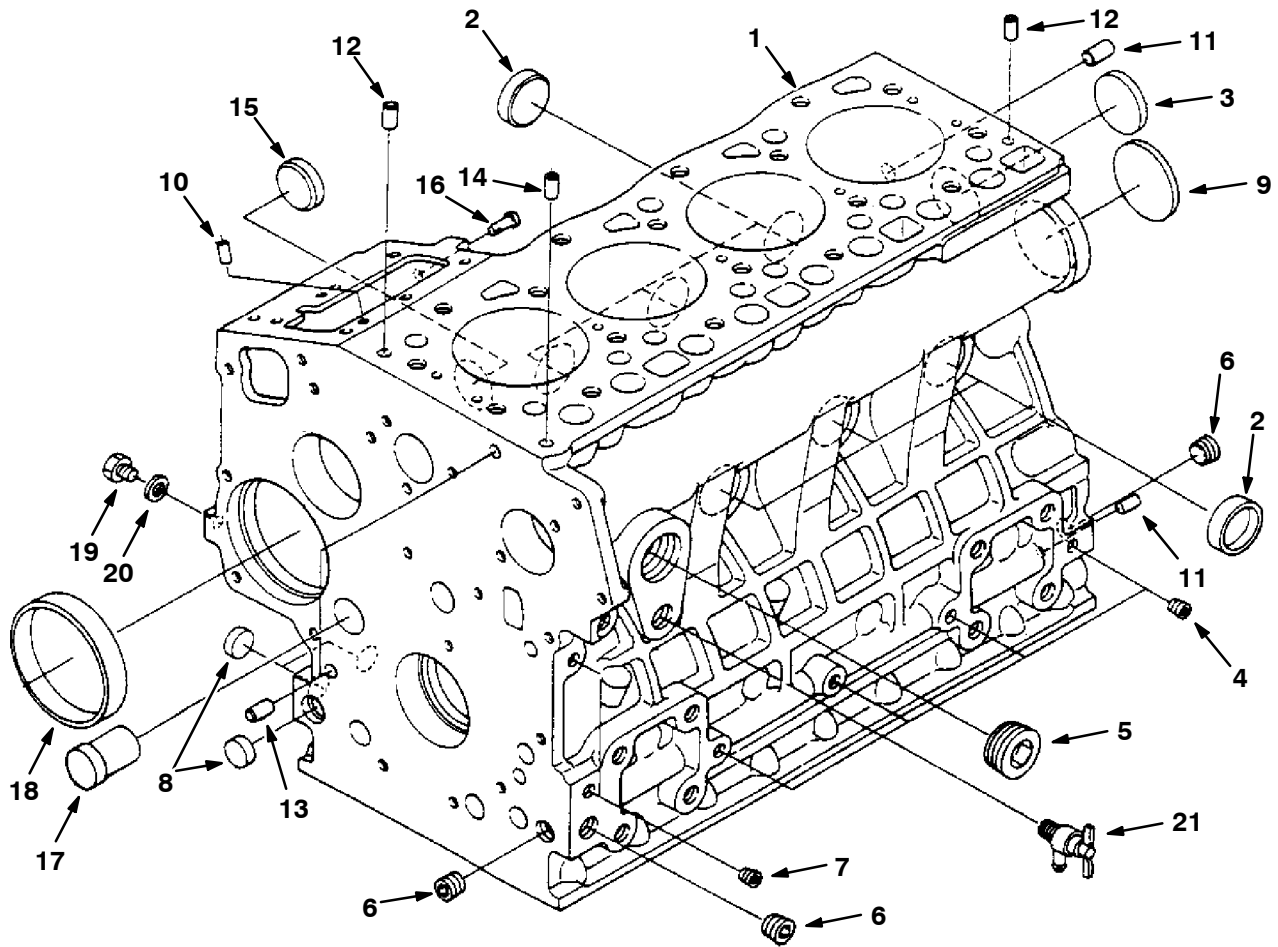
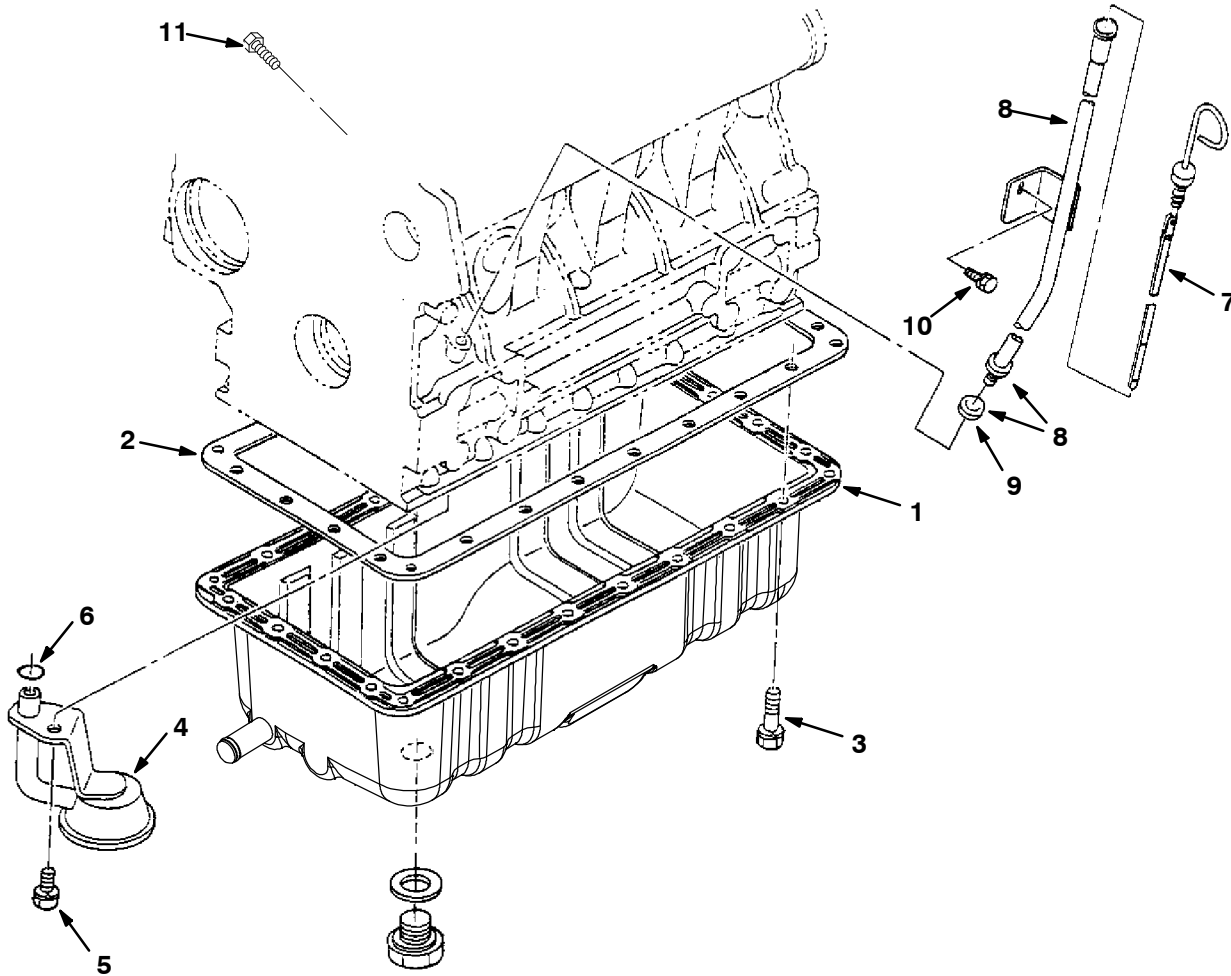




Fig. 1 - Crankcase Group

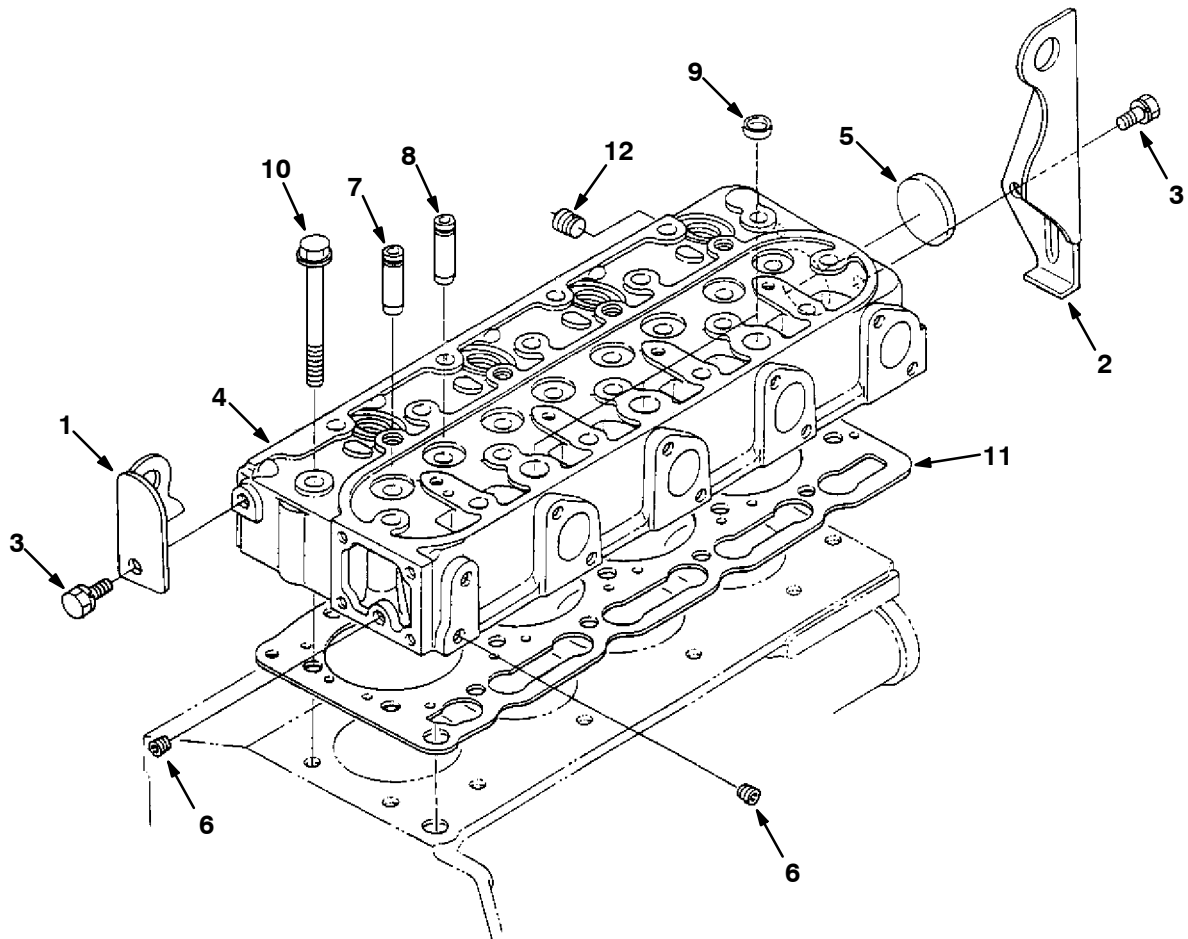
	Ref.	Part No.	Description	Qty.
▽	1	9004335	Crankcase, Complt [Ku]	1
▲	2	70998	Plug, Cup, Sealing [Ku]	6
▲	3	39087	Plug, Cup, Sealing [Ku]	1
▲	4	39088	Fitting, Pipe, Plug [Ku]	4
▲	5	70999	Plug, Eng [Ku]	1
▲	6	71985	Fitting, Pipe, Plug [Ku]	3
▲	7	39051	Fitting, Pipe, Plug [Ku]	2
▲	8	361436	Plug, Cup, Sealing [Ku]	3
▲	9	71986	Plug, Cup, Sealing [Ku]	1
▲	10	71987	Pin, Dowel [Ku]	2
▲	11	71988	Pin, Dowel [Ku]	2
▲	12	9004431	Pin, Straight [Ku]	2
▲	13	71990	Pin, Eng [Ku]	2
▲	14	71991	Tube, Pin [Ku]	1
▲	15	71992	Plug, Cup, Sealing [Ku]	1
▲	16	9004337	Pin, Start, Spring	1
▲	17	71993	Plug, Eng [Ku]	1
▲	18	70887	Bushing, Gear, Gov [Ku]	1
▲	19	39062	Fitting, Plug [Ku]	1
▲	20	393570	Gasket	1
	21	70888	Fitting, Draincock [Ku]	1

Fig. 2 - Oil Pan Group



Ref.	Part No.	Description	Qty.
1	1023144	Pan, Oil, Dsl	1
2	70889	Gasket, Pan, Oil	1
3	9004338	Bolt [Ku]	26
4	9003888	Filter, Oil [Ku]	1
5	39094	Screw, Hex [Ku]	1
6	9004339	O-Ring [Ku]	1
7	9004435	Gauge, Oil [Ku]	1
▽ 8	361428	Dipstick, Oil [Ku]	1
▲ 9	361366	Seal, Org [Ku]	1
10	39073	Screw, Hex [Ku]	1
	66187	Gasket Set	1
11	9004348	Plug, Gauge, Oil [Ku]	1

Fig. 3 - Cylinder Head Group



Ref.	Part No.	Description	Qty.	
	1	71996	Ear, Lifting, Eng [Ku]	1
	2	71997	Ear, Lifting, Eng [Ku]	1
	3	39073	Screw, Hex [Ku]	2
▽	4	9004340	Head, Cylinder [Ku]	1
▲	5	393504	Cap, Sealing	1
▲	6	39088	Fitting, Pipe, Plug [Ku]	2
▲	7	372906	Guide, Valve, Inlet	4
▲	8	372907	Guide, Valve, Exhaust	4
▲	9	361372	Plug, Cup, Sealing [Ku]	3
	10	70897	Screw, Hex, Head, Cyl [Ku]	18
	11	9004341	Gasket, Head, Cyl [Ku]	1
		66194	Gasket Set, Upper	1
	12	72010	Fitting, Pipe, Plug [Ku]	1

Fig. 4 - Gear Case Group

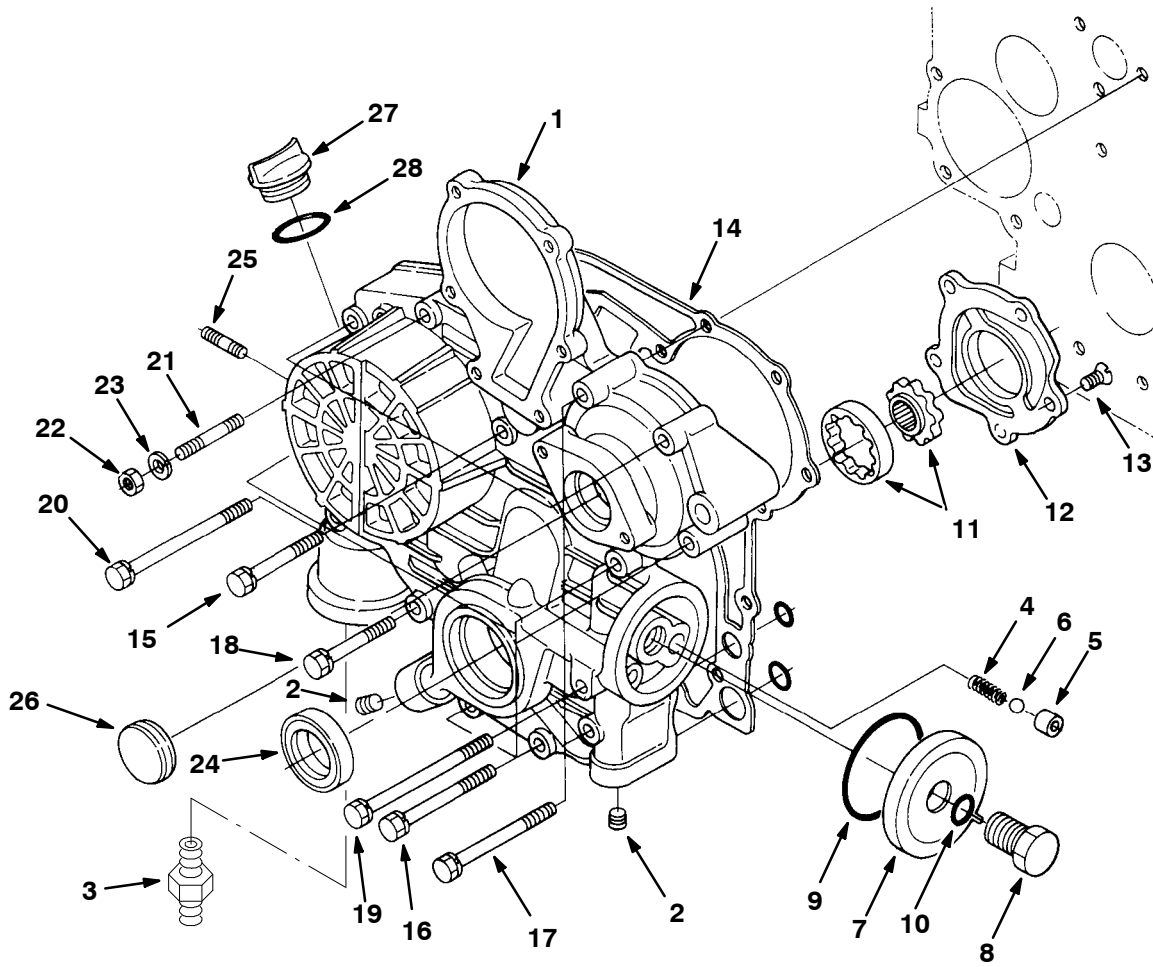
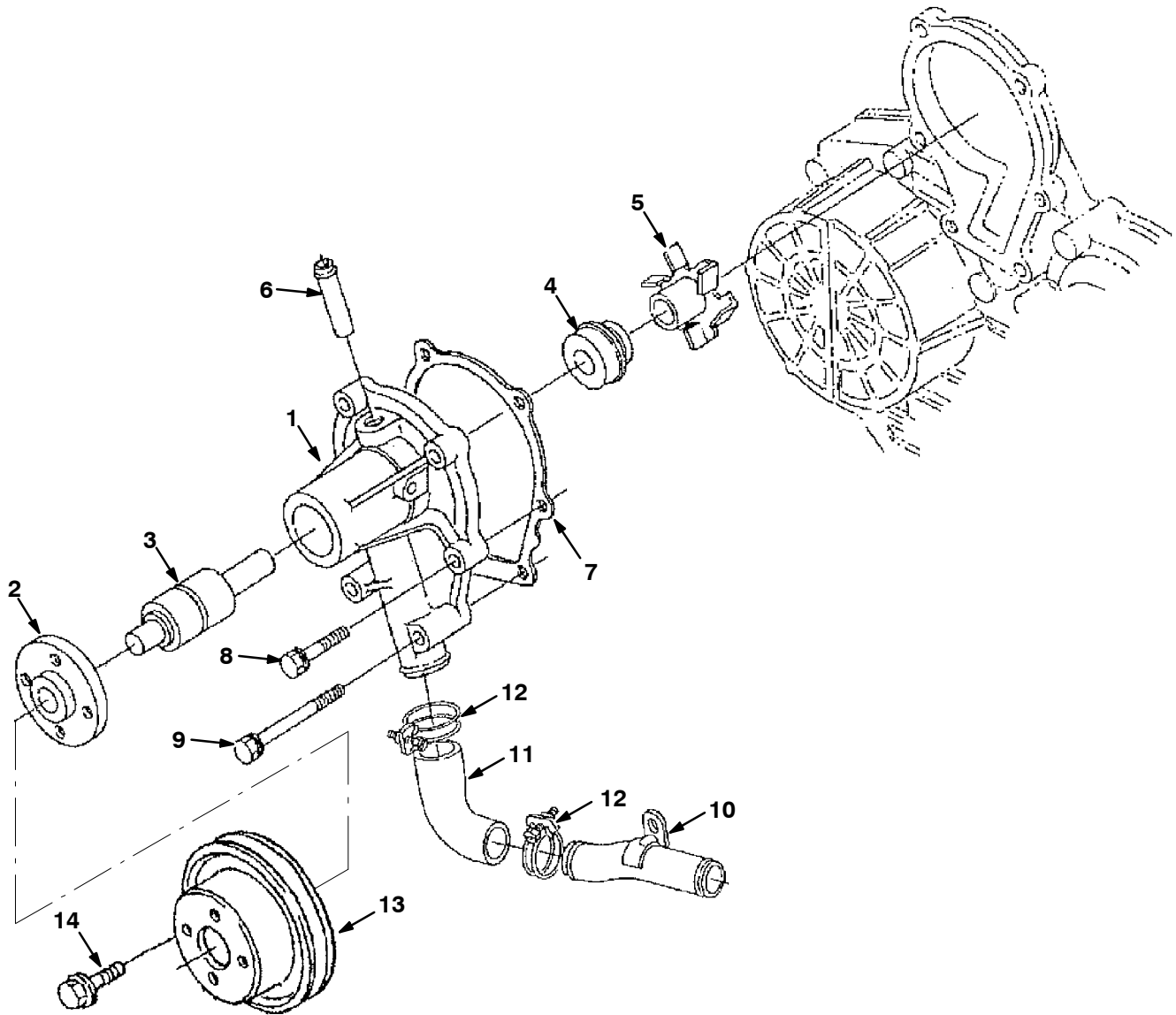


Fig. 4 - Gear Case Group

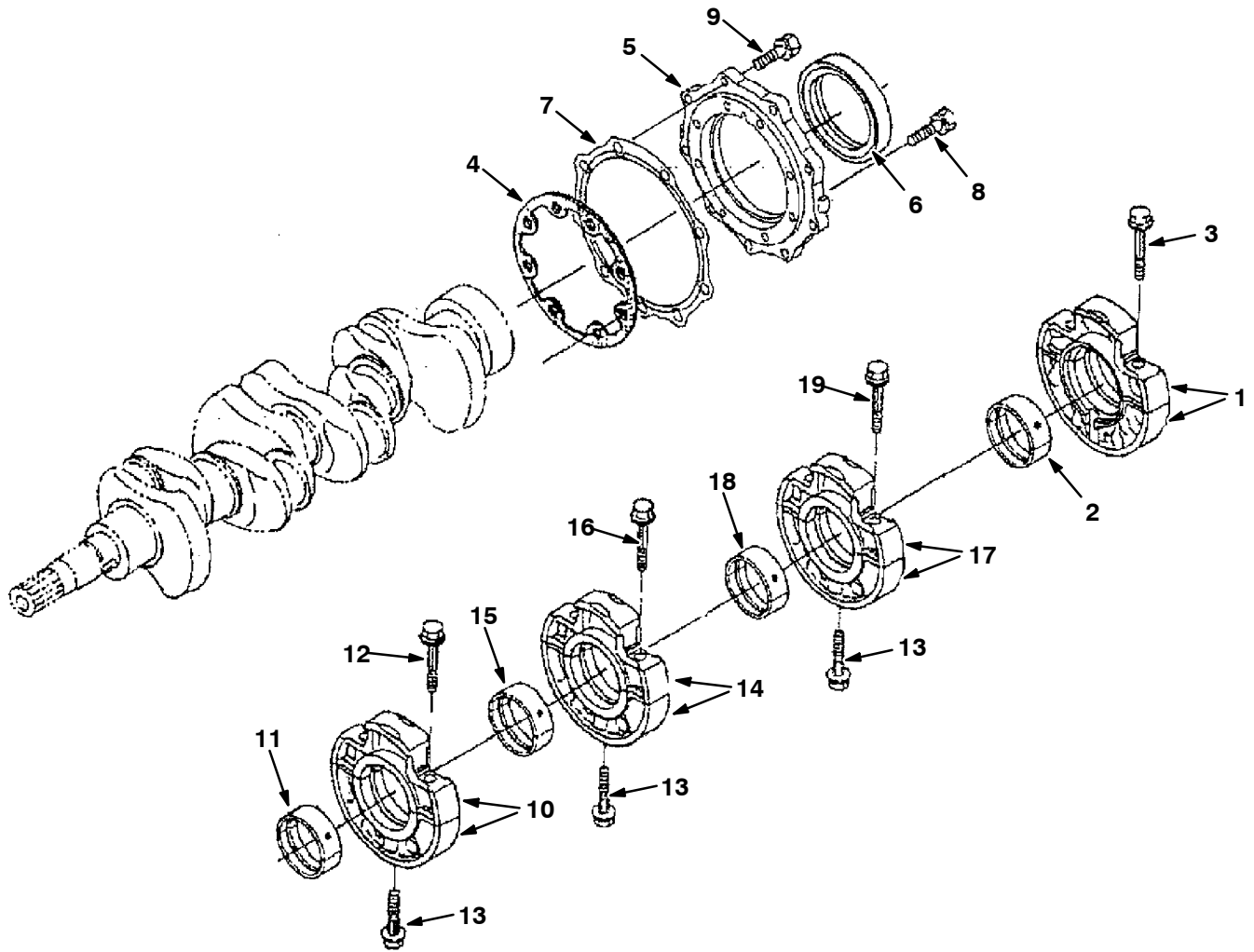
	Ref.	Part No.	Description	Qty.
▽	1	9004432	Crankcase, Comp [Ku]	1
▲	2	361401	Fitting, Pipe, Plug [Ku]	5
▲	3	12916	Fitting, Fltr, Oil [Ku]	1
▲	4	70900	Spring, Cmpr, Relief [Ku]	1
▲	5	70901	Tube, Seat, Valve, Oil [Ku]	1
▲	6	70902	Ball, Relief, Oil [Ku]	1
▲	7	70905	Cover	1
▲	8	70906	Bolt	1
▲	9	70907	Seal, Org [Ku]	1
▲	10	70911	Seal, Org	1
▲	11	70903	Pump, Oil, Eng [Ku]	1
▲	12	70904	Cover, Pump, Oil	1
	13	72013	Screw, Flt [Ku]	5
	14	70912	Gasket, Case, Gear [Ku]	1
	15	72993	Screw, Hex [Ku]	3
	16	384872	Bolt	4
	17	72994	Screw, Hex [Ku]	2
	18	72014	Screw, Hex [Ku]	1
	19	72015	Screw, Hex [Ku]	2
	20	72016	Bolt	1
	21	9004346	Stud [Ku]	1
	22	39121	Nut, Hex [Ku]	1
	23	39065	Washer, Lock, Split [Ku]	1
	24	361389	Seal, Oil, Front [Ku]	1
	25	9004347	Stud [Ku]	2
	26	72019	Cover	1
	27	361374	Cap, Filler, Oil [Ku]	1
	28	70913	Seal, Org	1

Fig. 5 - Water Pump Group



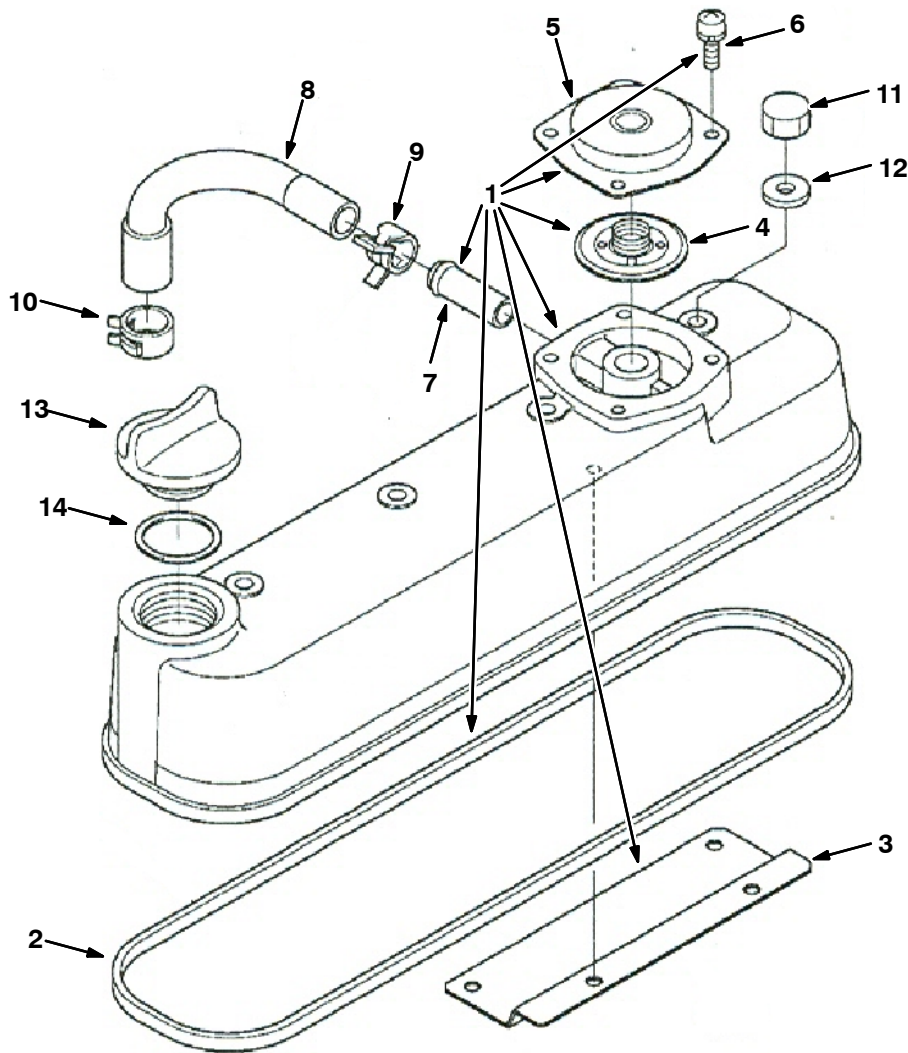
Ref.	Part No.	Description	Qty.	
▽	1	9004402	Pump, Water Assy [Ku]	1
▲	2	70919	Flange, Pump, Water [Ku]	1
▲	3	9004403	Bearing [Ku]	1
▲	4	9004404	Seal, Mechanical Assy [Ku]	1
▲	5	9004405	Impeller, Pump, Water [Ku]	1
▲	6	361440	Fitting, Pipe, Water [Ku]	1
▲	7	70920	Gasket, Pump, Water [Ku]	1
	8	9004406	Bolt [Ku]	4
	9	9004407	Bolt [Ku]	2
	10	9003868	Pipe, Water [Kubota]	1
	11	9003869	Pipe, Water [Kubota]	1
	12	9003870	Clamp [Kubota]	2
	13	55847	Sheave, Fan [Ku]	1
	14	393588	Bolt, Flng	4

Fig. 6 - Main Bearing Case Group



Ref.	Part No.	Description	Qty.	
▽	1	9004349	Bearing, Case [Ku]	1
▲	2	9004436	Crankshaft, Metal [Ku]	1
▲	3	72998	Screw, Hex, Case, Brg, Main [Ku]	2
	4	9004350	Gasket, Bearing, Case [Ku]	1
	5	70923	Cover, Brg Case, Eng [Ku]	1
	6	70924	Seal, Oil, Rear [Ku]	1
	7	70925	Gasket, Case, Gear [Ku]	1
	8	384871	Bolt	8
	9	371017	Bolt	9
▽	10	9004437	Case, Main, Brg Assy	1
▲	11	70948	Bearing, Cshft, Std [Ku]	1
▲	12	72998	Screw, Hex, Case, Brg, Main [Ku]	2
	13	73479	Screw, Hex, Case, Brg, Main [Ku]	3
▽	14	9004438	Case, Main, Brg Assy	1
▲	15	70948	Bearing, Cshft, Std [Ku]	1
▲	16	72998	Screw, Hex, Case, Brg, Main [Ku]	2
▽	17	9004439	Case, Main, Brg Assy	1
▲	18	70948	Bearing, Cshft, Std [Ku]	1
▲	19	72998	Screw, Hex, Case, Brg, Main [Ku]	2

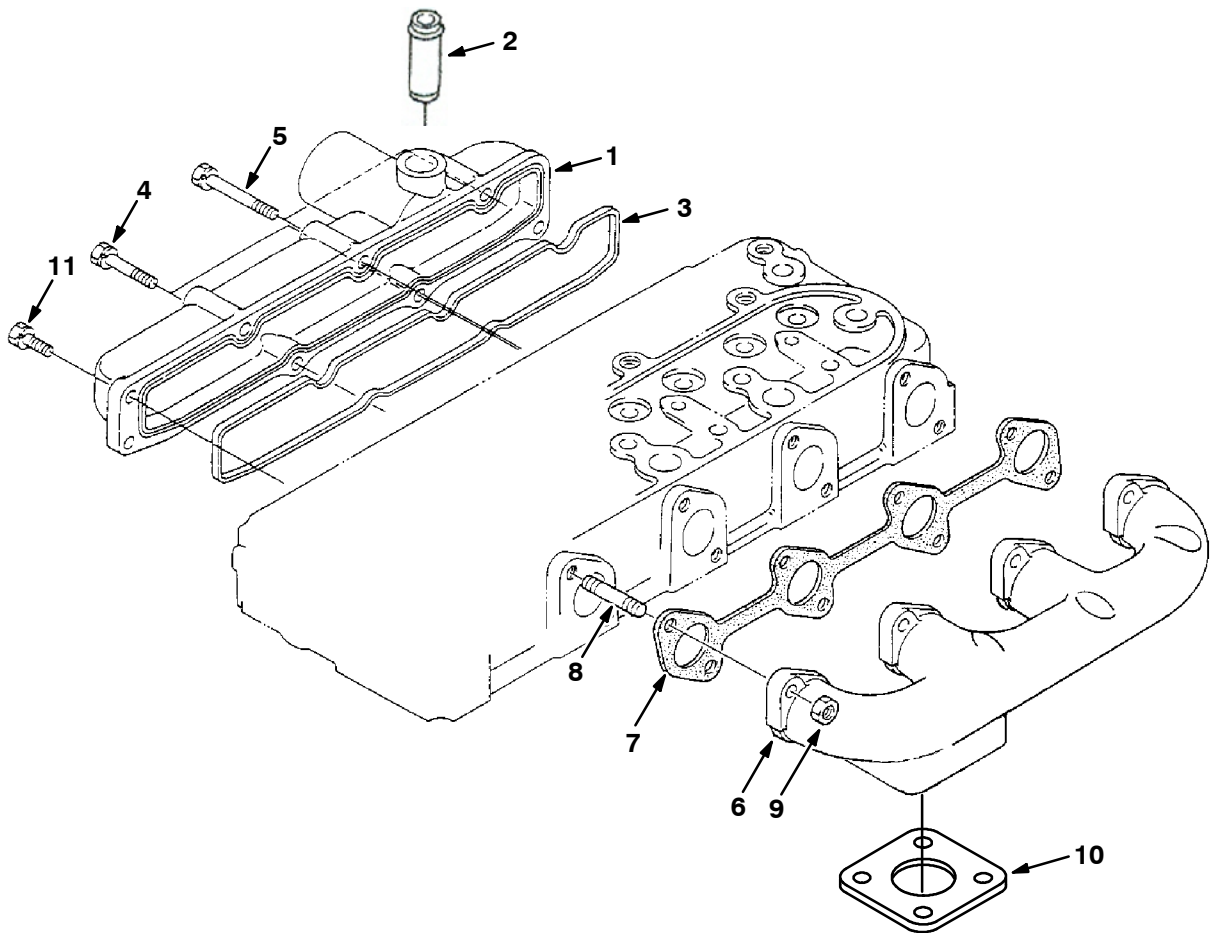
Fig. 7 - Head Cover Group



Ref.	Part No.	Description	Qty.	
▽	1	9004433	Cover, Cyl Head Assy [Ku]	1
▲	2	70929	Gasket, Cover, Head, Cyl [Ku]	1
▲	3	372912	Shield, Breather	1
▲	4	372928	Valve, Breather, Complt	1
▲	5	384874	Cover, Breather	1
▲	6	73482	Screw, Hex, W/ Washer [Ku]	4
▲	7	30125	Pipe, Water	1
	8	372913	Tube, Breather	1
	9	372901	Clamp, Hose	1
	10	372904	Clamp, Hose	1
	11	73483	Nut, Hex, Cap	4
	12	73484	Gasket, F/ Bolt [Ku]	4
	13	361374	Cap, Filler, Oil [Ku]	1
	14	70913	Seal, Org	1

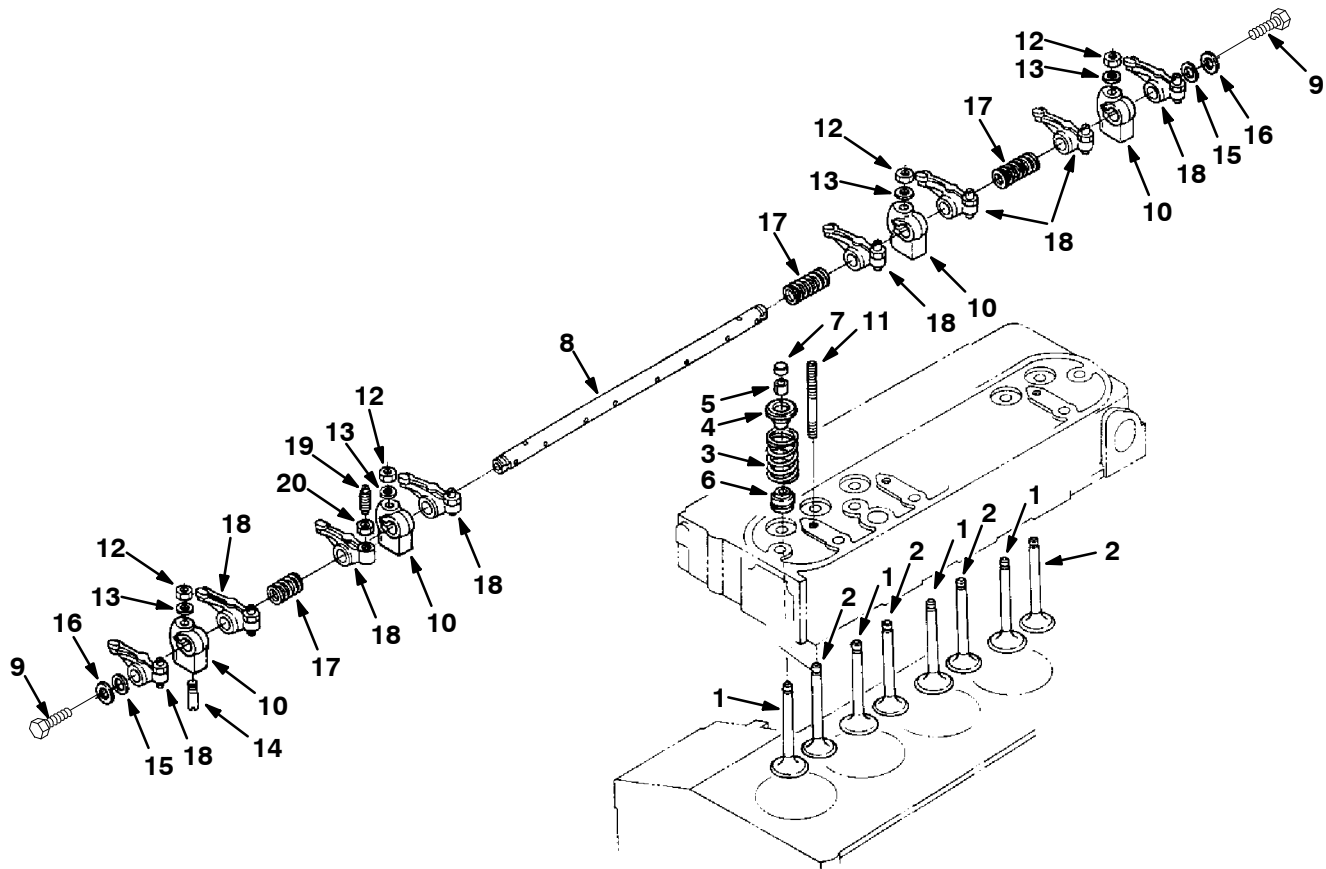


Fig. 8 - Manifold Group



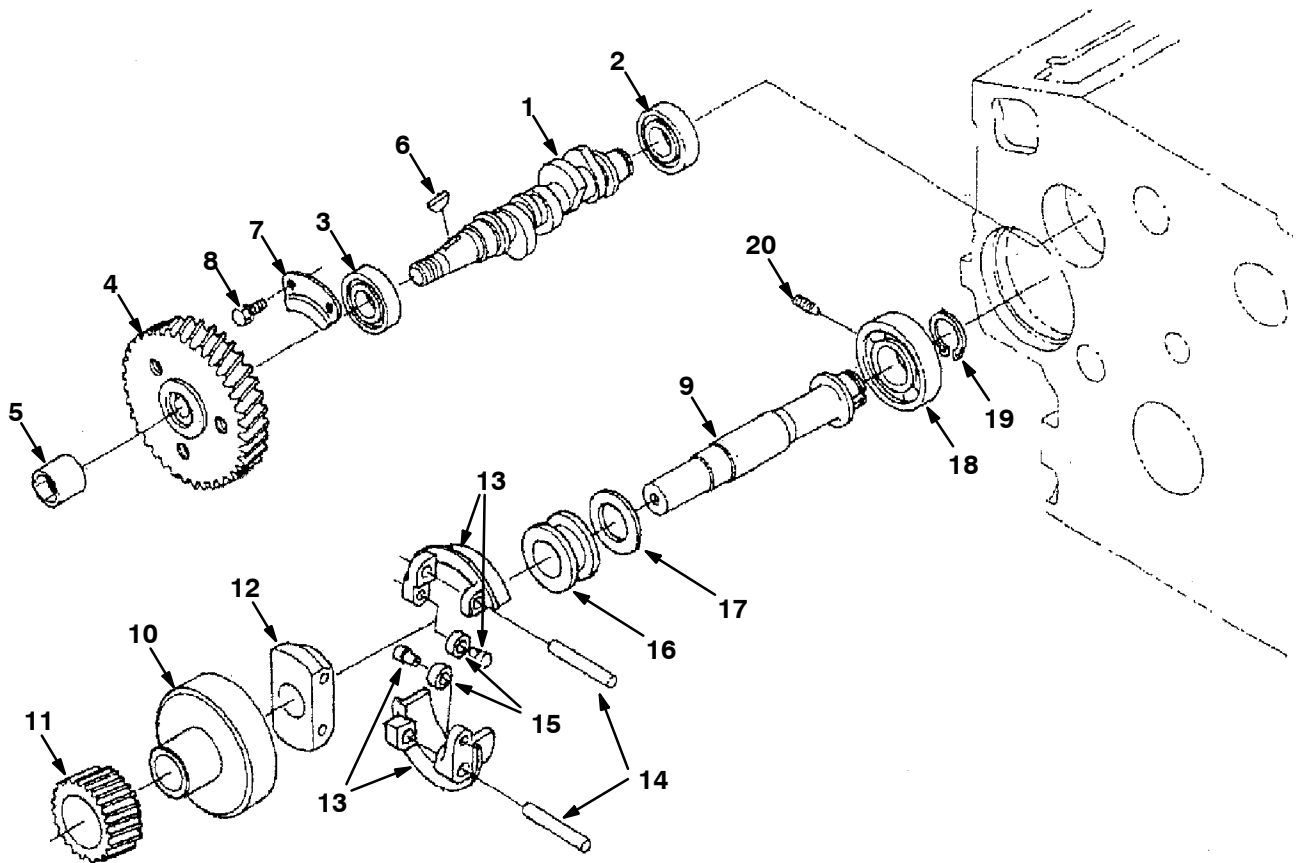
	Ref.	Part No.	Description	Qty.
▽	1	372905	Manifold Assy, Inlet	1
▲	2	73481	Pipe, Breather [Ku]	1
▲	3	70934	Gasket, Manifold, Intake [Ku]	1
	4	9004406	Bolt [Ku]	2
	5	384872	Bolt	3
	6	73487	Manifold, Exhaust [Ku]	1
	7	70935	Gasket, Manifold, Exhaust	1
	8	73488	Stud [Ku]	8
	9	73489	Nut	8
	10	51332	Gasket [Ku]	1
	11	40409	Screw, Hex [Ku]	3

Fig. 9 - Valve, Rocker Arm Group



Ref.	Part No.	Description	Qty.	
1	70936	Valve, Intake [Ku]	4	
2	70937	Valve, Exhaust [Ku]	4	
3	73491	Spring, Valve [Ku]	8	
4	73492	Retainer, Spring, Valve [Ku]	8	
5	73493	Retainer, Spring [Ku]	8	
6	73494	Seal, Stem, Valve [Ku]	8	
7	361392	Cap, Valve [Ku]	8	
8	9004409	Shaft, Rocker, Arm [Ku]	1	
9	393598	Bolt	2	
10	73497	Bracket, Mtg, Rocker Arm [Ku]	4	
11	73498	Stud [Ku]	4	
12	73499	Nut, Hex [Ku]	4	
13	73500	Washer, Flat [Ku]	4	
14	9004410	Pin, Spring [Ku]	1	
15	73502	Washer, Shaft, Rocker [Ku]	2	
16	361589	Washer, Flat [Ku]	2	
17	73504	Spring, Cmpr, Rocker [Ku]	3	
▽	18	73506	Arm, Rocker [Ku]	8
▲	19	73507	Screw, Adj, Rocker Arm [Ku]	8
▲	20	73508	Nut, Hex [Ku]	8

Fig. 10 - Fuel Camshaft Group



Ref.	Part No.	Description	Qty.	
1	84636	Camshaft	1	
2	9004368	Bearing, Ball [Ku]	1	
3	9004369	Bearing, Ball [Ku]	1	
4	9004445	Gear, Injection, Pump [Ku]	1	
5	73593	Nut, Cap, Cam [Ku]	1	
6	73594	Key, Woodruff [Ku]	1	
7	73596	Stopper, Fuel [Ku]	1	
8	41973	Bolt, Hex [Ku]	2	
▽	73597	Shaft, Govnr	1	
▲	9	9004371	Shaft, Governor [Ku]	1
▲	10	73598	Holder, Gear [Ku]	1
▲	11	73599	Gear, Govnr [Ku]	1
▲	12	73600	Holder, Govnr [Ku]	1
▲	13	73601	Weight, Comp, Govnr [Ku]	2
▲	14	73602	Shaft, Govnr [Ku]	2
▲	15	9004372	Shaft, Governor, Weight [Ku]	2
▲	16	70977	Sleeve, Govnr [Ku]	1
▲	17	70978	Washer, Thrust [Ku]	1
18	9004373	Bearing, Ball [Ku]	1	
19	73603	Ring, Snap [Ku]	1	
20	73604	Screw, Set [Ku]	1	

Fig. 11 - Camshaft Group

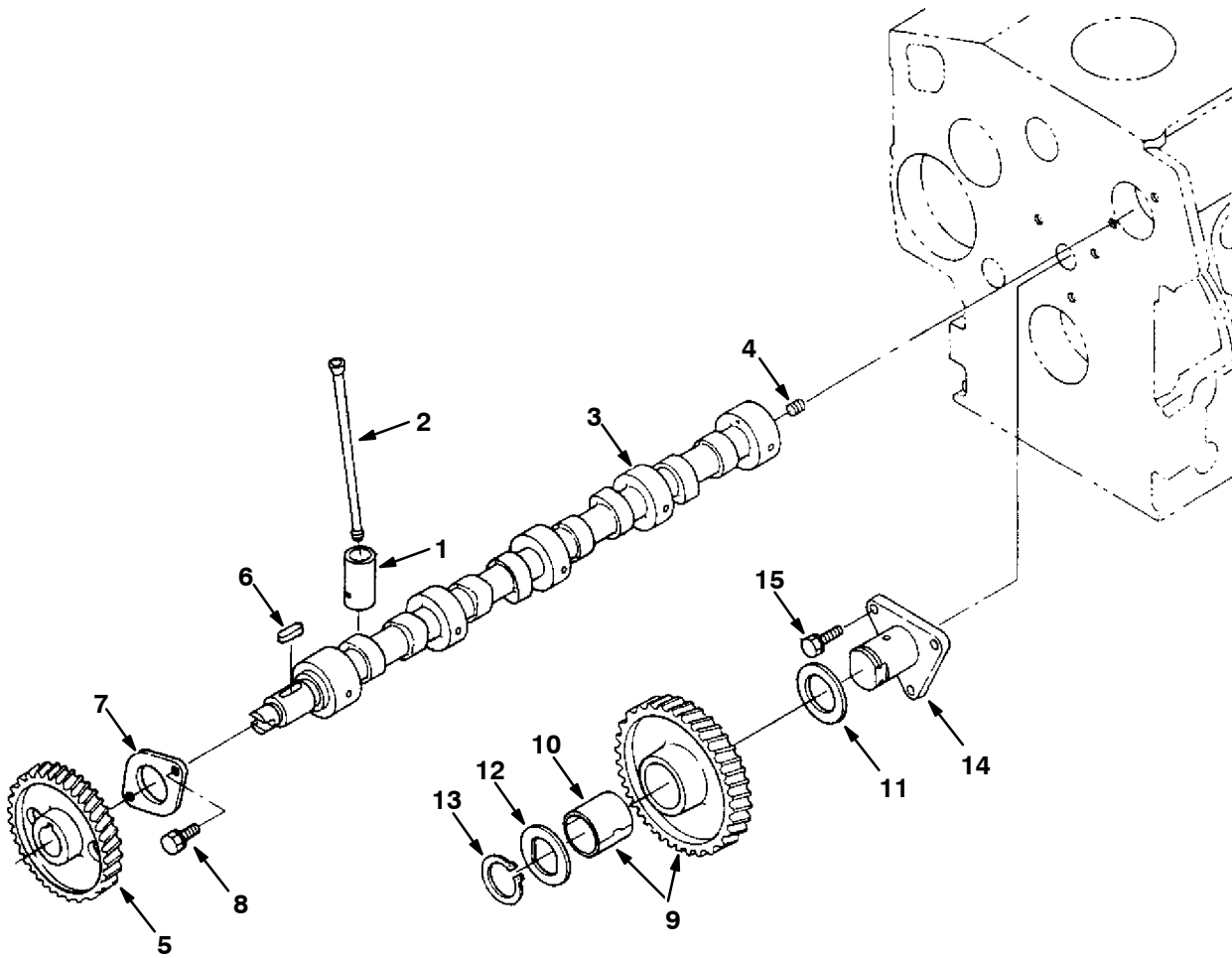


Fig. 11 - Camshaft Group

Ref.	Part No.	Description	Qty.	
	1	9004358	Tappet [Ku]	8
	2	73509	Rod, Push, Valve [Ku]	8
▽	3	9004440	Crankshaft Assy	1
▲	4	39197	Screw, Set [Ku]	1
▲	5	73511	Gear, Camshaft [Ku]	1
▲	6	73512	Key [Ku]	1
▲	7	73513	Stopper, Cam [Ku]	1
▲	8	41973	Bolt, Hex [Ku]	2
▽	9	73514	Gear, Idler, Cam [Ku]	1
▲	10	73515	Bushing, Gear, Idler [Ku]	1
	11	73516	Collar, Gear [Ku]	1
	12	73517	Washer, Collar, Gear [Ku]	1
	13	73518	Ring, Snap [Ku]	1
	14	73519	Shaft, Idler, Gear [Ku]	1
	15	41973	Bolt, Hex [Ku]	3

Fig. 12 - Piston and Crankshaft Group

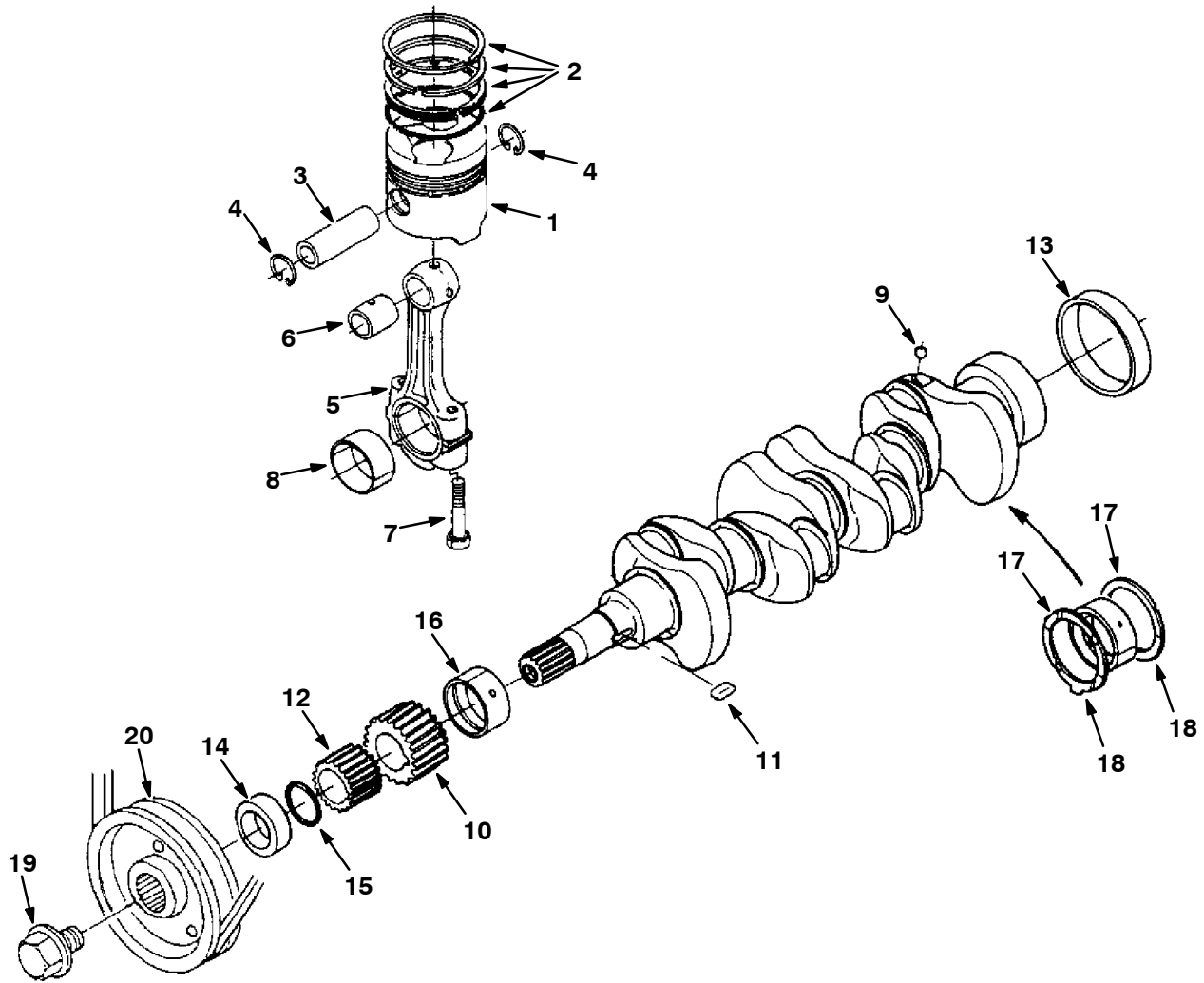
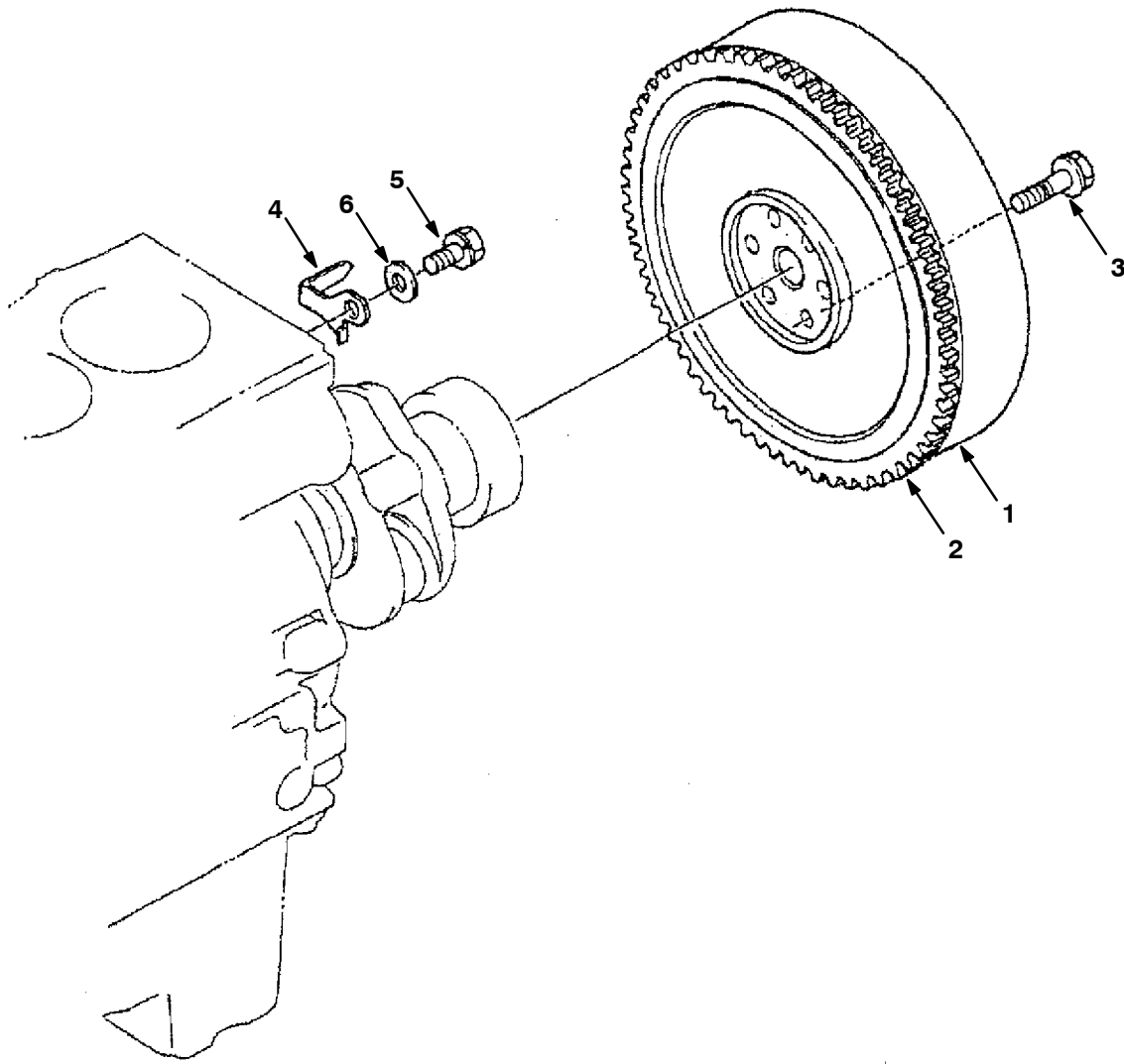


Fig. 12 - Piston and Crankshaft Group

Ref.	Part No.	Description	Qty.	
1	73520	Piston, Eng [Ku]	4	
1	73521	Piston, Eng [Ku]	4	
2	9004361	Ring, Piston Assy [Ku]	4	
2	9004441	Piston, Ring Assy [Ku]	4	
3	73522	Pin, Piston [Ku]	4	
4	73523	Ring, Snap, Piston [Ku]	8	
▽	5	73524	Rod Assy, Connecting [Ku]	4
▲	6	361395	Bushing, Pin, Piston [Ku]16241-21351	4
▲	7	73525	Screw, Rod, Connecting [Ku]	8
▲	8	70941	Bearing, Rod, Connecting, Std [Ku]	4
▲	8	66204	Bearing, Rod, Connecting [-.2mm, Ku]	4
▲	8	66207	Bearing, Rod, Connecting [-.4mm, Ku]	4
▽		73526	Crankshaft	1
▲	9	73527	Ball, Cshft [Ku]	4
▲	10	73528	Gear, Cshft [Ku]	1
▲	11	73529	Key [Ku]	1
▲	12	73530	Gear, Pump, Oil [Ku]	1
▲	13	70942	Bearing, Cshft [Ku]	1
	14	70943	Collar, Crank, Front [Ku]	1
	15	9004363	Ring [Ku]	1
	16	70945	Bearing, Cshft, Std [Ku]	1
	16	70946	Bearing, Cshft, -.2mm [Ku]	1
	16	70947	Bearing, Cshft [Ku]	1
	17	10844	Bearing, Thrust, Std [Ku]	2
	17	70954	Bearing, Thrust [Ku]	2
	17	70955	Bearing, Thrust [-.4mm, Ku]	2
	18	10845	Bearing, Thrust, Std [Ku]	2
	19	73532	Screw, Hex, Cshft [Ku]	2
	20	393400	Sheave, Cshft [Ku]	2

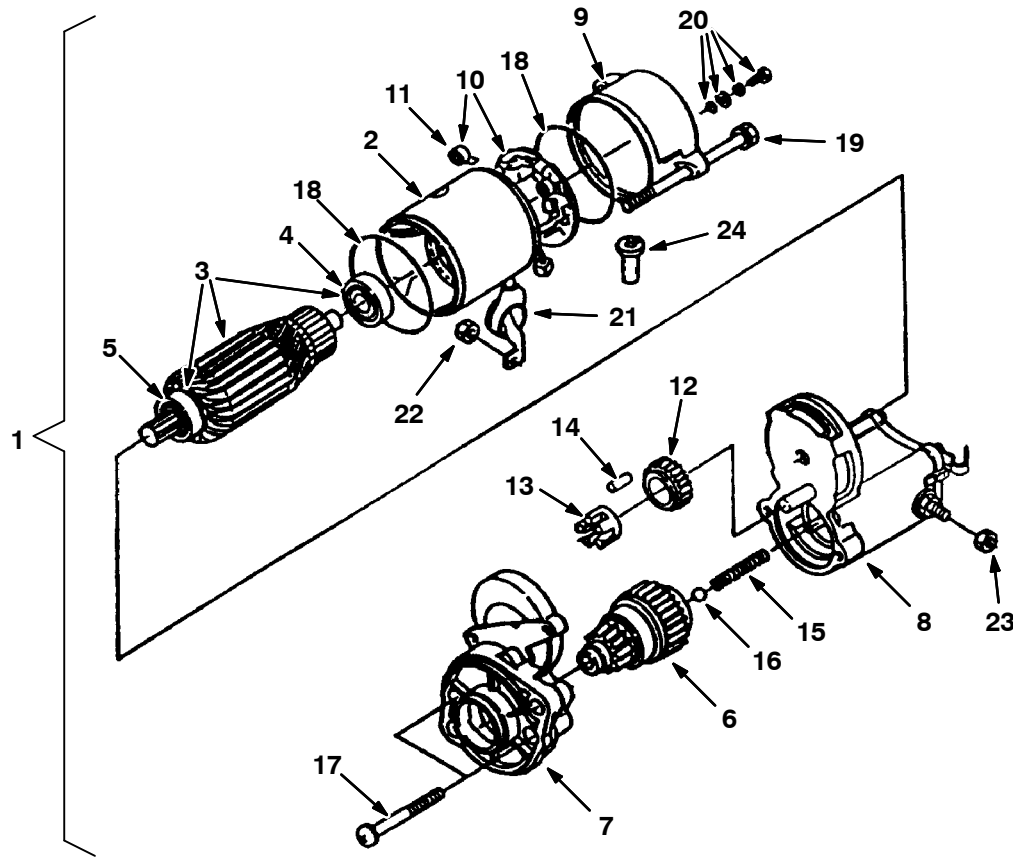
Fig. 13 - Flywheel Group



Ref.	Part No.	Description	Qty.
▽	1 70956	Flywheel	1
▲	2 9004442	Gear, Ring [Ku]	1
	3 73533	Screw, Hex, Flywheel [Ku]	6
	4 9003891	Indicator, Timing [Ku]	1
	5 9004443	Bolt [Ku]	1
	6 9004444	Washer, Plain [Ku]	1

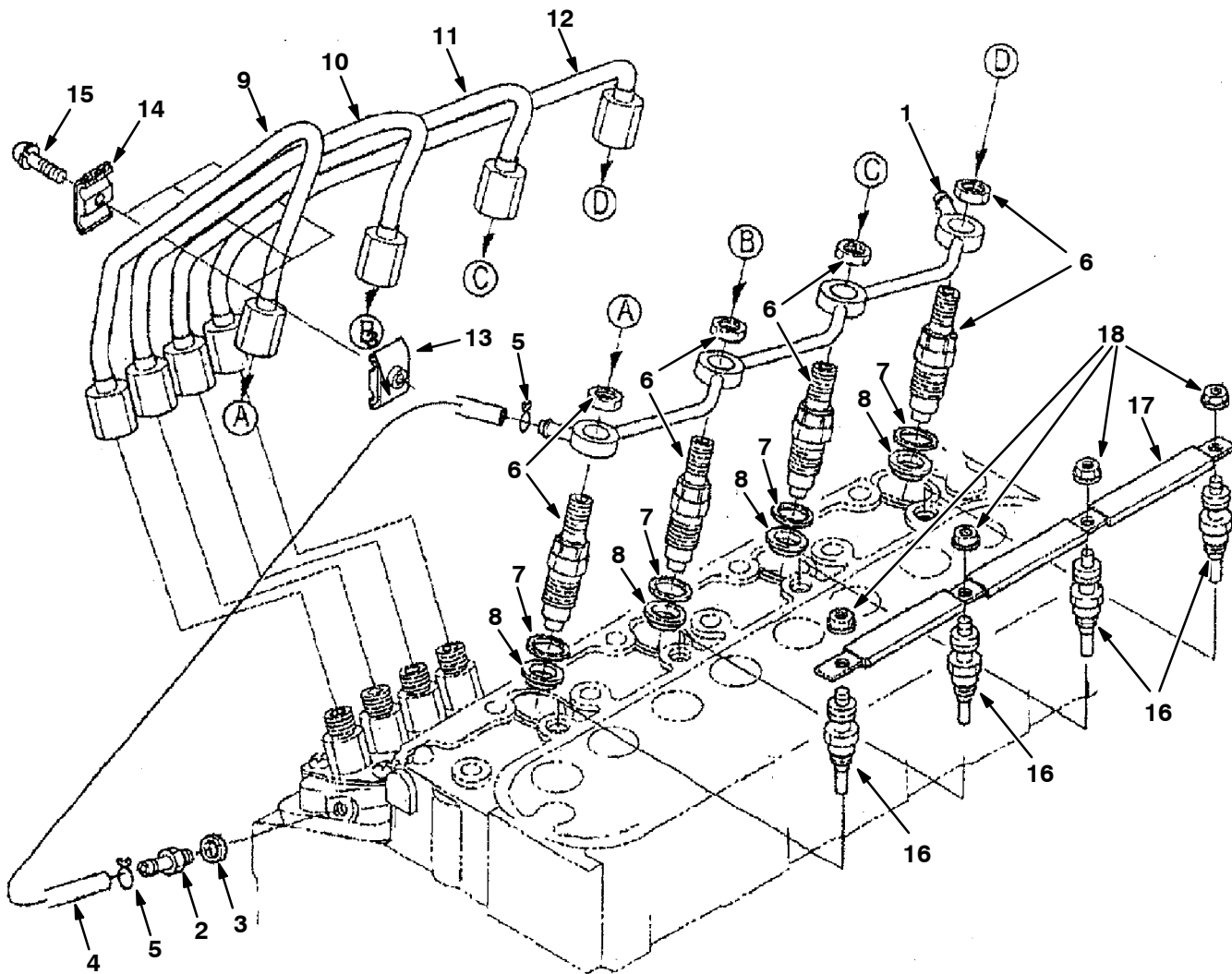


Fig. 14 - Starter Breakdown, 74405



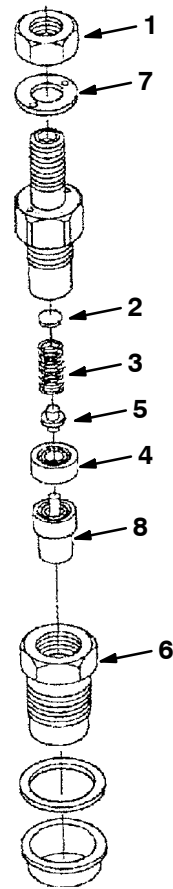
Ref.	Part No.	Description	Qty.	
▽	1	74405	Starter, 12vdc [Kubota]	1
▲	2	70196	Yoke	1
▲▽	3	70197	Armature, Motor [Ku]	1
▲▲	4	70198	Bearing	1
▲▲	5	70199	Bearing	1
▲	6	70200	Clutch	1
▲	7	70201	Frame, End, Drive	1
▲	8	70202	Switch, Magneto [Ku]	1
▲	9	70203	Frame, End	1
▲▽	10	70204	Brushholder	1
▲▲	11	70205	Spring, Brush	4
▲	12	70206	Gear	1
▲	13	70207	Retainer	1
▲	14	73545	Retainer, Gear, Starter [Ku]	5
▲	15	70208	Spring	1
▲	16	73547	Spring, Ext [Ku]	1
▲	17	70209	Bolt	2
▲	18	20433	Seal, Org	2
▲	19	70210	Bolt	2
▲	20	20432	Bolt	2
▲	21	70211	Cover	1
▲	22	73551	Nut, Hex [Ku]	1
▲	23	70212	Nut	1
▲	24	70213	Tube, Drain, Starter	1

Fig. 15 - Nozzle Holder and Glow Plug Group



Ref.	Part No.	Description	Qty.	
1	73554	Pipe, Overflow	1	
2	73555	Fitting, Fuel [Ku]	1	
3	40166	Gasket, F/ Bolt [Ku]	1	
▽	361373	Hose, Fuel [Ku]	1	
▲	4	9004389	Pipe, Fuel, Overflow [Ku]	2
▲	5	9004390	Pipe, Clip [Ku]	4
▽	6	372917	Housing Assy, Nozzle	1
▲	7	9004450	Gasket [Ku]	1
▲	8	9004451	Seal, Heat [Ku]	1
9	70965	Tube, Injector, Pipe #1 [Ku]	1	
10	70966	Tube, Injector, Pipe #2 [Ku]	1	
11	70967	Tube, Injector, Pipe #32 [Ku]	1	
12	70968	Pipe, Injector, # 4	3	
13	30131	Clamp, Tube, Inj, Pipe #1 [Ku]	3	
14	39507	Clamp, Pipe	4	
15	393566	Screw, W / Washer	1	
16	84638	Glowplug [Ku]	3	
17	73560	Cord, Ele, Glowplug	3	
18	9004393	Nut, Flange [Ku]	3	

Fig. 16 - Nozzle Holder Breakdown



Ref.	Part No.	Description	Qty.
▽	372917	Housing Assy, Nozzle	4
▲	1 9004395	Nut [Ku]	1
▲	2 9004396	Washer, Adjusting [Ku]	1
▲	3 9004397	Nozzle, Spring [Ku]	1
▲	4 388500	Spacer [Ku]	1
▲	5 9004398	Rod, Push [Ku]	1
	6 9004399	Nut, Nozzle [Ku]	1
	7 9004400	Washer, Plain [Ku]	1
	8 9004401	Nozzle [Ku]	1

Fig. 17 - Injection Pump Group

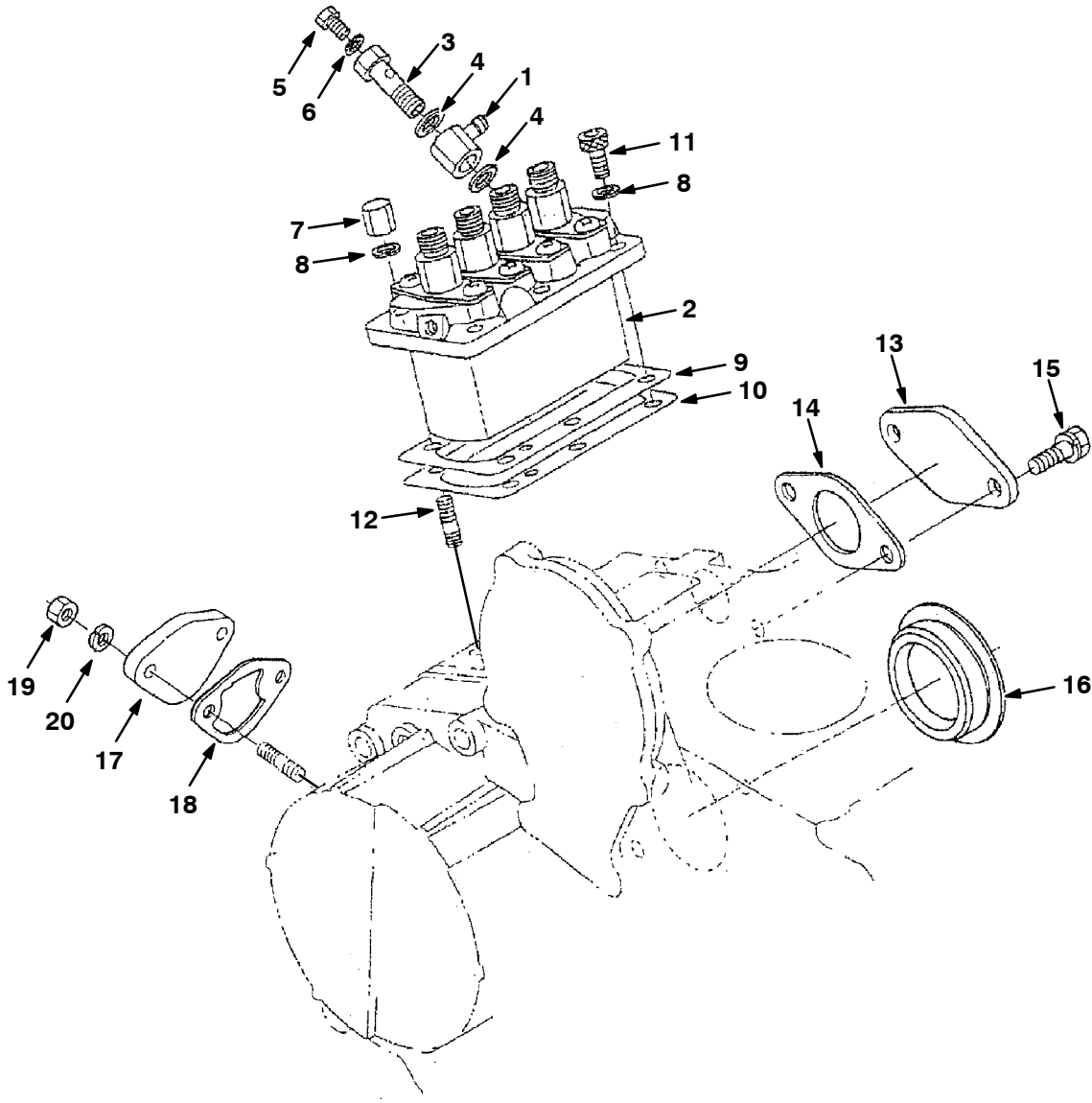


Fig. 17 - Injection Pump Group

Ref.	Part No.	Description	Qty.	
	1	9004376	Eye, Joint [Ku]	1
▽	2	84635	Pump, Injection [Kubo]	1
▲	3	84651	Follower, Screw, Pump, Injection[Ku]	1
▲	4	73588	Gasket, Ftg, Banjo [Ku]	2
▲	5	73589	Screw, Hex [Ku]	1
▲	6	73590	Gasket, F/ Screw [Ku]	1
	7	73563	Nut [Ku]	3
	8	39065	Washer, Lock, Split [Ku]	6
	9	70972	Shim	1
	9	70973	Shim	1
	10	84644	Shim, Pump, Injection	1
	11	73561	Bolt [Ku]	3
	12	73562	Stud [Ku]	3
	13	9004454	Cover, Solenoid [Ku]	1
	14	70165	Gasket, Solenoid, Throttle [Ku]	1
	15	39160	Bolt, Hex [Ku]	2
	16	70188	Cover, Hole, Pump [Ku]	1
	17	73565	Cover, Hole, Pump, Fuel [Ku]	1
	18	70974	Gasket, Pump, Fuel [Ku]	1
	19	39121	Nut, Hex [Ku]	2
	20	39065	Washer, Lock, Split [Ku]	2

Fig. 18 - Injection Pump Breakdown

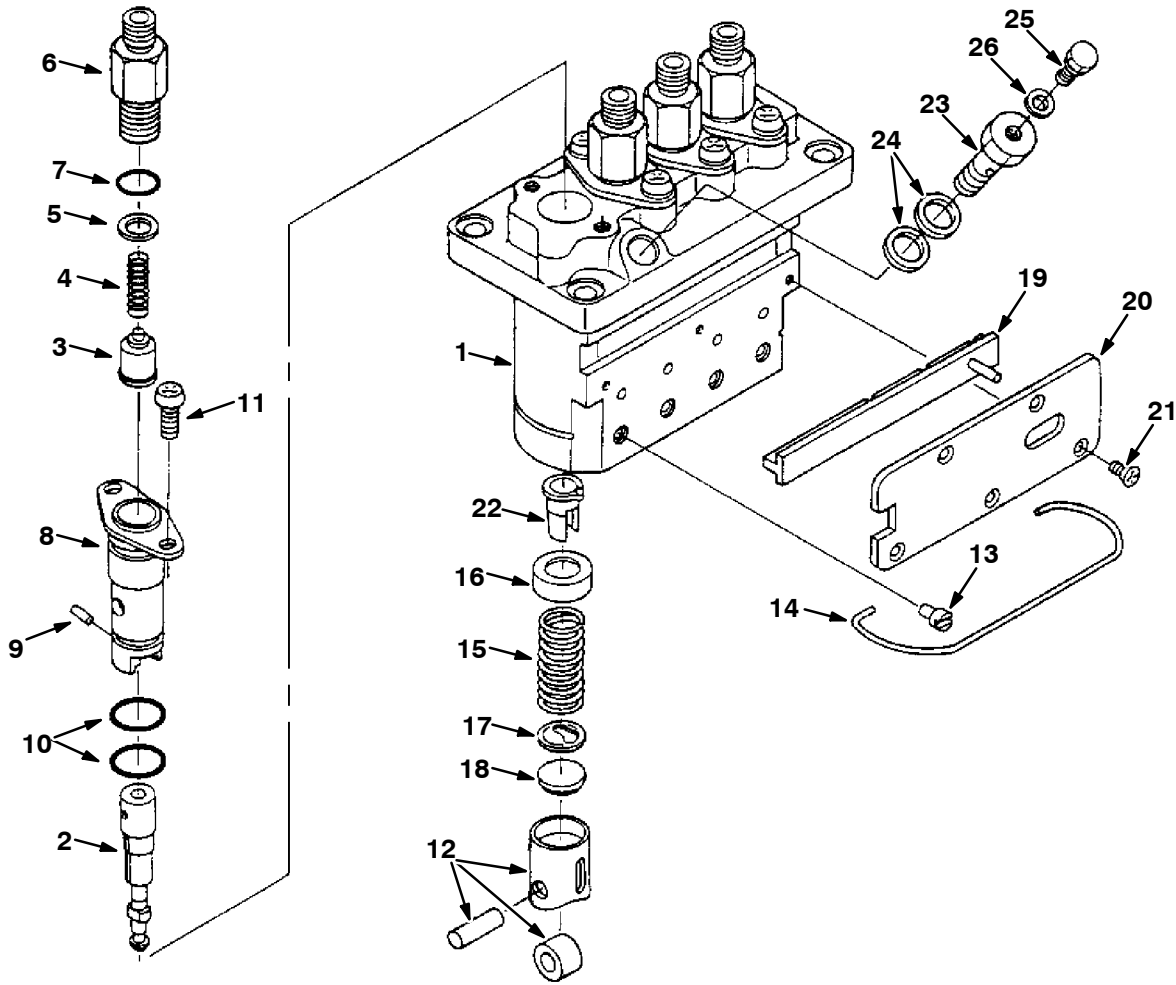
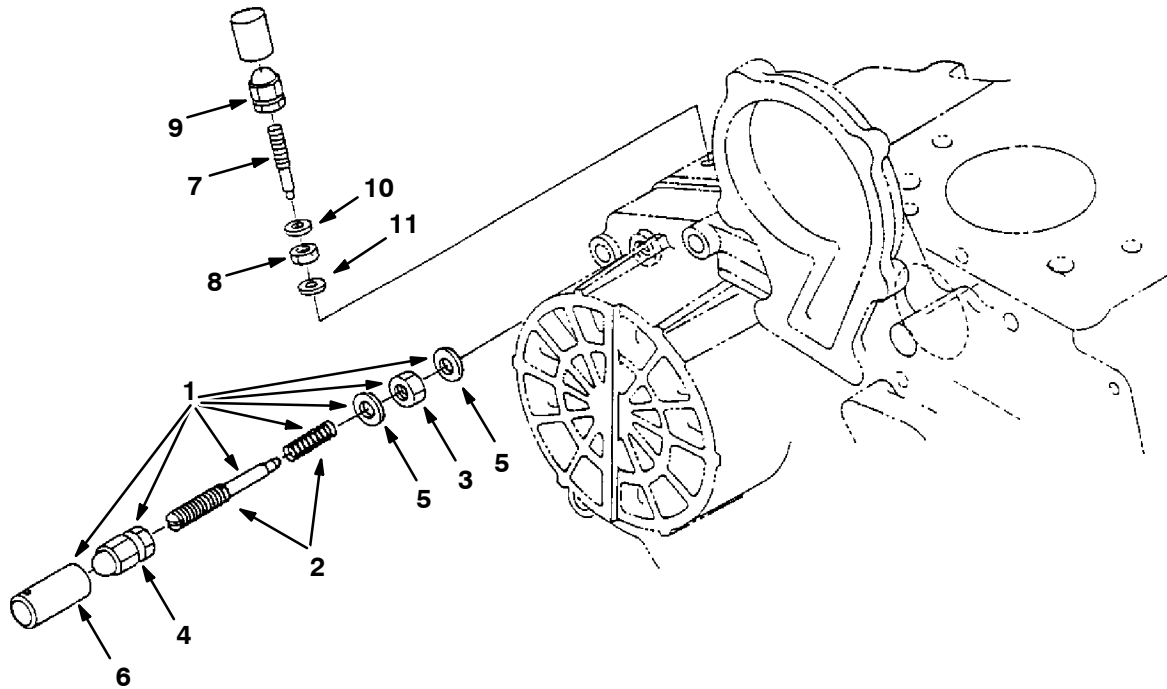


Fig. 18 - Injection Pump Breakdown

	Ref.	Part No.	Description	Qty.
▽	1	84635	Pump, Injection [Kubo]	1
▲	2	84648	Plunger, Pump, Inj [Ku]	4
▲	3	73567	Valve, Eng [Delivery, Ku]	4
▲	4	73568	Spring, Cmpr, Valve, Injector [Ku]	4
▲	5	73569	Gasket, Valve, Injector [Ku]	4
▲	6	73570	Holder, Valve, Inj [Ku]	4
▲	7	73571	Seal, Org [Ku]	4
▲	8	73572	Flange, Sleeve [Ku]	4
▲	9	73573	Pin, Joint, Inj [Ku]	4
▲	10	73574	Seal, Org [Ku]	8
▲	11	73575	Screw, Hex [Ku]	8
▲	12	73576	Tappet, Pump, Injection [Ku]	4
▲	13	73577	Pin, Tappet [Ku]	4
▲	14	73578	Pin, Clamp	1
▲	15	73579	Spring, Cmpr, Plunger [Ku]	4
▲	16	73580	Seat, Spring, Upper, Injector [Ku]	4
▲	17	73581	Seat, Spring, Lower, Injector [Ku]	4
▲	18	73582	Shim, Tappet, Injection [Ku]	1
▲	19	84649	Control, Fuel	1
▲	20	84650	Plate	1
▲	21	73585	Screw, Pump, Injection [Ku]	5
▲	22	73586	Sleeve, Cntrl, Pump, Injection [Ku]	4
▲	23	84651	Follower, Screw, Pump, Injection [Ku]	1
▲	24	73588	Gasket, Ftg, Banjo [Ku]	2
▲	25	73589	Screw, Hex [Ku]	1
▲	26	73590	Gasket, F/ Screw [Ku]	1

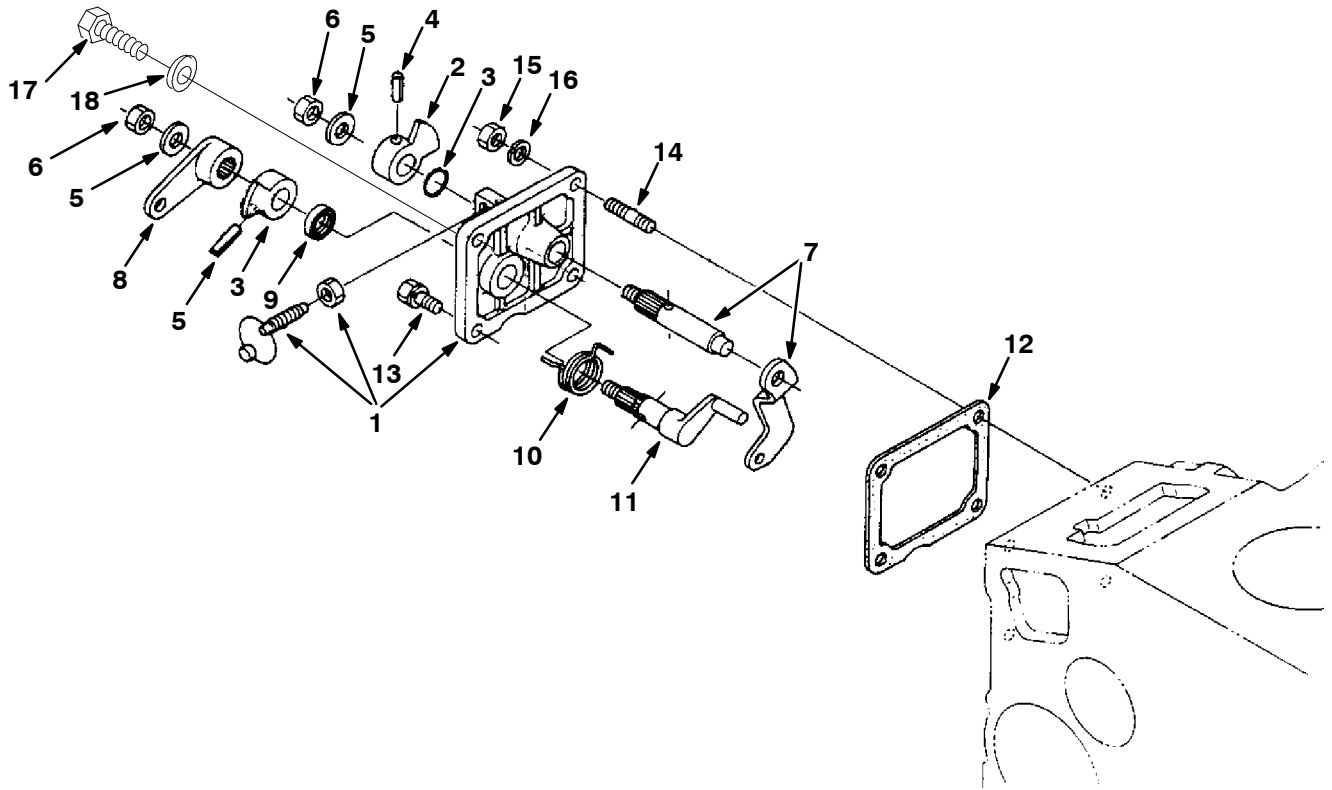
Fig. 19 - Idling Group



Ref.	Part No.	Description	Qty.	
▽	1	9004446	Idling, Apparatus [Ku]	1
▲	2	9004447	Bolt, Adjustment Assy [Ku]	1
▲	3	73606	Nut, Hex [Ku]	1
▲	4	361375	Nut, Cap [Ku]	1
▲	5	40166	Gasket, F/ Bolt [Ku]	2
▲	6	30136	Cap, Screw, Idler [Ku]	1
	7	73610	Screw, Adj, Stop [Ku]	1
	8	9004374	Nut, Lock [Ku]	1
	9	361375	Nut, Cap [Ku]	1
	10	40166	Gasket, F/ Bolt [Ku]	2
	11	9004375	Gasket [Ku]	1



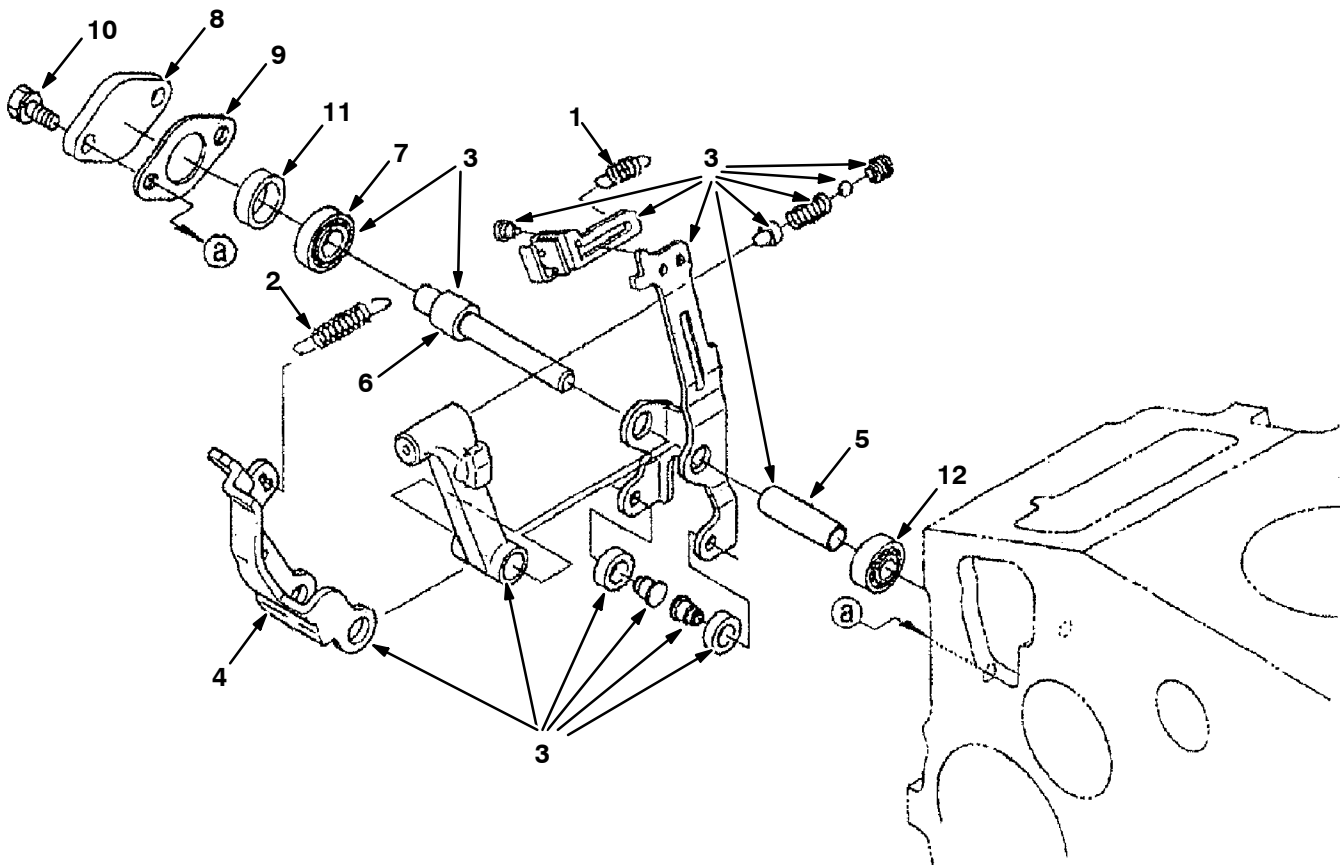
Fig. 20 - Speed Control Plate Group



07445 - M20, D

Ref.	Part No.	Description	Qty.
▽	1	70982 Plate, Cntrl, Spd [Ku]	1
▲	2	73619 Lever, Cntrl, Spd [Ku]	2
▲	3	9004385 O-Ring [Ku]	1
▲	4	40407 Pin, Spring [Ku]	2
▲	5	73621 Washer, Flat [Ku]	2
▲	6	73622 Nut, Hex [Ku]	2
▲	7	73623 Lever, Plate, Cntrl [Ku]	1
▲	8	73624 Lever, Stop [Ku]	1
▲	9	70983 Seal, Oil [Ku]	1
▲	10	73625 Spring, Tors [Ku]	1
▲	11	73626 Shaft, Lever, Spd [Ku]	1
	12	70984 Gasket, Cover, Spd [Ku]	1
	13	41973 Bolt, Hex [Ku]	2
	14	9004386 Stud [Ku]	2
	15	39121 Nut, Hex [Ku]	2
	16	39065 Washer, Lock, Split [Ku]	2
	17	9004449 Bolt [Ku]	1
	18	40166 Gasket, F/ Bolt [Ku]	1

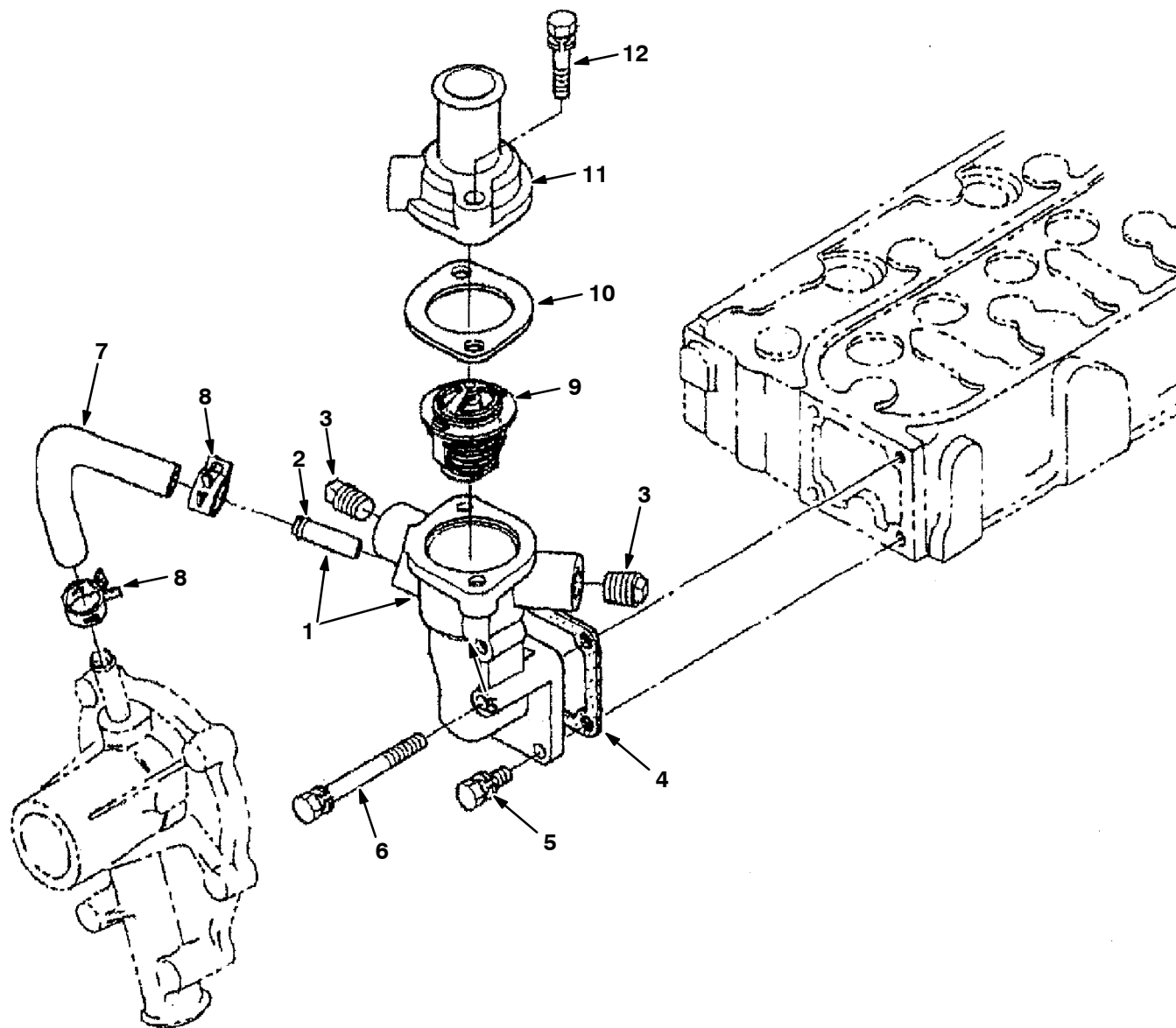
Fig. 21 - Governor Group



07447 - M20, D

Ref.	Part No.	Description	Qty.
1	9004379	Spring, Start [Ku]	1
2	9004448	Spring, Governor [Ku]	1
▽ 3	9004775	Lever Assy, Fork [KU]	1
▲ 4	9004381	Lever, Fork [Ku]	1
▲ 5	9004382	Lever, Fork, Shaft [Ku]	1
▲ 6	9004283	Belt Kit, W/ Installation Tool	1
▲ 7	70989	Bearing, Ball [Ku]	1
8	73631	Cover, Lever, Gov [Ku]	1
9	361430	Gasket, Cover, Gov [Ku]	1
10	71995	Screw, Hex [Ku]	2
11	70991	Collar, Govnr [Ku]	1
12	70992	Bearing, Ball [Ku]	1

Fig. 22 - Water Flange Group



Ref.	Part No.	Description	Qty.	
▽	1	368090	Flange, Water [Ku]	1
▲	2	384859	Pipe, Water, Return	1
	3	73632	Fitting, Pipe, Plug [Ku]	2
	4	70994	Gasket, Hsg, Thermostat [Ku]	1
	5	41973	Bolt, Hex [Ku]	3
	6	384872	Bolt	1
	7	73633	Hose, Water [Ku]	1
	8	73634	Clamp, Hose, Heater [Ku]	2
	9	10852	Thermostat, 180deg, 1.7d [Ku]	1
	10	10851	Gasket	1
	11	368091	Housing, Thermostat [Ku]	1
	12	40418	Bolt [Ku]	2



# SECTION 7

<b>CONTENTS</b>		<b>PAGE</b>
PART NUMBER TO PAGE NUMBER CROSS REFERENCE LIST .....		7-2
PART DESCRIPTION TO PAGE NUMBER CROSS REFERENCE LIST .....		7-14

# CROSS REFERENCE

## PART NUMBER TO PAGE NUMBER CROSS REFERENCE LIST

Part Number	Page Number	Part Number	Page Number	Part Number	Page Number
IB3614	4-10	06988	2-19	09739	2-51, 2-53, 2-87, 3-11, 3-17, 3-23, 3-27, 3-35, 3-39, 3-41, 3-43, 3-45, 3-46, 3-47, 3-65
00500-15	4-8, 4-9, 4-11	07259	2-55, 2-59, 2-61, 2-71	09740	2-7, 2-9, 2-15, 2-21, 2-31, 2-39, 2-55, 2-57, 2-61, 2-65, 2-75, 2-79, 2-81, 2-85, 2-91, 2-93, 2-95, 2-117, 3-3, 3-5, 3-19, 3-31, 3-41, 3-43, 3-45, 3-57, 3-61, 3-63
00927	2-51, 2-53	07299	2-23	09741	2-55, 2-61, 2-63, 2-65
00954	2-95	07449	2-71	09744	2-82, 3-65
00960	2-33, 2-35	07514	3-17	09767	2-63
00966	4-10	07782	2-19	09832	2-39
01316	3-3, 3-61, 3-63	07786	2-61, 2-75, 2-79	1002789	3-21, 3-23, 3-25, 3-27
01493	2-9	07788	2-75, 2-79	1002898	3-19, 3-31
01681	2-17	07791	2-113	1002899	3-19, 3-31
01683	2-35, 2-49, 3-3, 3-17, 3-23, 3-27, 3-31, 3-35, 3-39, 3-61, 3-63	08085	2-15	1005086	3-21, 3-23, 3-25, 3-27
01684	2-3, 2-5, 2-57, 2-59, 2-61, 2-65, 2-67, 2-82, 2-87, 2-89, 2-91, 3-3, 3-31, 3-57, 3-59, 3-65	08170	2-47	1005255	3-19
01685	2-31, 2-37, 2-39, 2-57, 2-59, 2-63, 2-65, 2-69, 2-71, 2-75, 2-79, 3-3, 3-7, 3-9	08171	2-45	1005302	3-17, 3-31
01686	2-7, 2-65, 2-67, 3-11, 3-67	08175	2-51, 2-53, 2-61	1005435	3-19, 3-31
01714	2-47, 2-49	08178	2-63	1005506	3-17
01760	2-15	08179	2-47, 2-61, 2-63, 3-7, 3-9	1005507	3-17
01762	2-51, 2-53, 3-7	08180	2-43	1005508	3-17
02430	4-20	08182	2-49, 2-75, 2-79	1005552	3-17, 3-21, 3-23, 3-25, 3-27, 3-31
02706	4-7	08236	2-55	1006400	3-31
02850	2-15, 2-21, 2-39, 3-19	08708	2-9, 2-15, 2-17, 2-19, 2-29, 2-31, 2-33, 2-35, 2-39, 2-41, 2-47	1006401	3-17
02931	2-71	08709	2-7, 2-9, 2-21, 2-24, 2-27, 2-33, 2-35, 2-39, 2-41, 2-47, 2-49, 2-75, 2-79, 3-13	1006410	2-89
03192	3-49, 3-68	08711	2-23, 2-24, 2-45	1006415	3-19
03495	2-69	08712	2-13, 2-37, 2-57, 2-59, 2-61, 2-63, 2-65, 2-67, 2-87, 2-89, 2-91, 3-3, 3-57, 3-59	1006416	2-29, 3-31
03922	2-95	08713	2-31, 2-37, 2-39, 2-49, 2-51, 2-53, 2-59, 2-63, 2-65, 2-67, 2-69, 2-71, 2-73, 2-75, 2-77, 2-79, 2-81, 2-85, 2-93, 3-7, 3-11, 3-13	1006447	3-17
04403	2-3	08714	2-7, 2-71	1007482	2-39
04414	2-9, 2-23, 2-69	08716	2-37, 2-57, 2-61, 2-65, 2-87, 2-89, 2-91, 3-3	1008916	2-19
04706	2-17	08875	2-81, 2-82	1010668	3-23, 3-27, 3-31, 3-35, 3-39, 3-59, 3-63
04733-10	2-63	09005	2-51, 2-53	1010684	3-17
04733-12	2-55, 2-61	09007	2-65, 2-75, 2-79, 2-91	1010836	3-17
06279	2-63	09010	2-49, 2-61, 2-65, 2-67, 2-81, 2-85, 2-89, 2-93, 3-7, 3-9, 3-13	1011412	3-17, 3-23, 3-27, 3-33, 3-35, 3-37, 3-39
06548	2-33, 2-47	09011	2-63, 2-65	1011521	3-21, 3-25
06549	2-15, 2-41, 3-57, 3-61	09028	2-55, 2-75, 2-79, 3-68	1011837	3-57, 3-59, 3-61, 3-63
06927	2-21, 2-39	09029	2-65	1011885	3-5
06928	2-7	09081	2-73, 2-77	1013031	2-37
06929	2-15	09198	2-3, 2-49	10137	1-1
06939	3-57, 3-61	09200	2-15, 2-21, 2-87, 3-17, 3-23, 3-27, 3-31, 3-35, 3-39, 3-65	1013902	3-19
06942	2-9, 2-19, 2-29, 2-33, 2-39, 2-41, 2-47	09206	3-19	1014082	3-19
06943	2-15, 2-29, 2-31, 2-33, 2-35	09228	3-57, 3-59	10143	2-41
06947	2-29	09252	2-15, 2-49	1014563	2-39, 2-95, 3-49
06955	2-47, 2-85, 2-93	09738	3-11	1014575	3-19
06959	3-13			1014705	2-55
06960	2-17			1014929	3-31
06962	3-67, 3-68			1014974	3-5
06965	3-67			1014986	3-31
06966	2-23			1015012	2-141
06969	2-45, 2-55, 2-61			1015033	3-5
06971	2-7			1015041	2-39
06972	2-23, 2-61				

# CROSS REFERENCE

Part Number	Page Number	Part Number	Page Number	Part Number	Page Number
1015044	3-3	1020320	2-95	1022668	2-65
1015045	2-87, 2-89, 3-11, 3-33, 3-37	1020394	2-117, 4-15	1022683	2-65
1015047	3-31	1020428	2-82	1022699	2-9
1015067	3-23, 3-27, 3-35, 3-39	1020487	2-15	1022736	2-47
1016314	2-33, 2-35	1020526	3-65	1022779	2-49
1016383	2-39	1020540	2-9	1022787	2-49
1016827	2-29	1020548	2-75	1022825	2-75, 2-79
1016837	3-3	1020744	2-85, 2-93	1022831	2-69
1017112	2-3	1020904	2-9	1022846	2-73, 2-77
1017126	1-1, 2-29	1020949	2-31	1022903	2-63
1017141	2-141	1021019	2-51, 2-53	1022978	2-79
1017218	2-9, 2-15, 2-21, 2-65, 2-67, 2-81, 2-85, 2-91, 2-93, 2-95, 2-117, 3-5, 3-19, 3-31, 3-41, 3-43, 3-45, 3-61, 3-63	1021047	2-7, 3-11	1023063	2-67
1017248	3-43, 3-46	1021210	3-5, 4-3	1023074	2-23
1017250	3-45, 3-47	1021265	2-17	1023081	2-113
1017368	2-3, 2-5	1021290	2-41	1023144	5-4, 6-4
1017672	2-7, 3-11	1021325	3-3	1023154	2-39
1017868	1-1, 2-69	1021404	2-71	1023180	2-39
1017903	2-43	1021439	3-9	1023239	2-69
1017969	2-37	1021473	3-9	1023282	2-23
1018059	2-39	1021497	2-71	1023303	2-53
1018097	3-19	1021546	2-71	1023306	2-75
1018098	3-17, 3-31	1021564	3-9	1023307	2-79
1018208	2-7	1021579	1-1, 2-115	1023314	2-79
1018333	3-23	1021617	3-9	1023334	2-65
1018499	3-17, 3-57, 3-61	1021789	2-37	1023464	2-11
1018776	2-15	1021794	3-7	1023476	2-71
1018780	3-19	1021834	2-9	1023482	2-27
1018883	3-17	1021878	3-19, 3-31	1023485	3-15
1018884	3-17	1021881	3-57, 3-61	1023486	3-15
1018938	3-13, 4-13	1021920	2-91	1023487	2-103
1018939	2-29	1021991	2-117	1023488	2-101
1019031	2-75	1022003	2-57	1023489	2-101
1019146	2-55	1022004	2-21	1023491	2-89
1019225	2-7	1022031	2-47	1023493	2-81
1019228	2-15	1022069	2-19	1023497	2-81
1019250	3-61, 3-63	1022088	2-87, 2-89	1023499	2-15
1019285	2-91	1022105	2-15	1023502	2-85, 2-93
1019295	1-1	1022106	3-11	1023508	2-81
1019424	2-85, 2-93	1022111	3-7	1023510	2-81
1019445	3-41, 3-43, 3-45	1022113	2-37	1023545	2-115
1019526	2-67	1022135	3-7	1023569	2-11
1019636	3-5	1022137	2-85, 2-93	1023585	3-57, 3-61
1019646	3-29	1022176	2-81	1023606	2-103
1019647	3-46, 3-47	1022182	2-82	1023607	2-103
1019971	3-41, 3-43, 3-45	1022188	3-7	1023608	2-101
1020002	2-55	1022229	3-5	1023609	2-101
1020003	2-55	1022243	2-47	1023617	2-51
1020065	2-91	1022260	3-7	1023667	3-11
1020163	2-57	1022265	3-49	1023685	2-65
1020166	1-1, 2-57	1022266	3-49	1023754	2-95
1020168	2-9	1022276	3-49	1023769	2-105, 2-107
1020186	2-21	1022302	3-7	1023810	2-39
1020207	2-57	1022318	3-11	1023853	2-39
1020208	2-57	1022345	2-49	1023879	3-49
1020263	2-91	1022359	2-57	1023892	2-31
		1022363	2-57	1023911	1-1, 2-33
		1022370	2-91	1023917	2-65
		1022377	2-95	1023926	2-17
		1022545	2-71	1023943	2-33
		1022666	2-111	1024028	2-39

# CROSS REFERENCE

Part Number	Page Number	Part Number	Page Number	Part Number	Page Number
1024131	2-81	1025544	2-105	1027233	2-49
1024138	2-15	1025547	2-103	1027237	3-61, 3-63
1024141	2-139	1025548	2-105, 2-107	1027267	2-9
1024175	2-81	1025562	2-91	1027269	2-7
1024177	2-21	1025601	2-71	1027273	2-23
1024206	2-33	1025619	2-91	1027284	2-13
1024211	2-33	1025620	2-91	1027290	1-1, 2-82
1024213	2-33	1025663	3-67	1027313	2-49
1024217	2-81	1025736	2-15	1027347	2-7
1024237	3-31	1025806	2-21	1027353	2-141
1024249	2-43	1025826	2-57	1027372	2-141
1024251	2-111, 4-7	1025872	2-95	1027426	2-81
1024260	2-17, 4-19	1025887	2-95	1027588	3-68
1024264	2-33	1025888	2-95	1027591	2-23
1024274	2-41	1025916	2-15	1027688	2-5
1024309	2-67	1025968	2-59	1027692	2-49
1024357	2-37	1025990	3-15	1027697	2-3
1024380	2-29	1025991	3-15	1027716	1-1, 3-7
1024407	2-59, 4-11	1025992	3-15	1027719	1-1, 2-69
1024425	2-15	1026003	2-39	1027742	2-49
1024450	2-67	1026007	2-63	1027798	3-43, 3-45, 3-46, 3-47
1024464	2-15	1026014	2-91	1027800	3-43, 3-45, 3-46, 3-47
1024478	2-17	1026025	2-47	1027810	2-55
1024500	2-21	1026051	2-85, 2-93	1027850	3-68
1024535	2-85, 2-93	1026067	3-19	1027916	2-7
1024570	2-57	1026074	3-17	1027922	2-29
1024576	2-75, 2-79	1026080	2-51, 2-53	1027926	3-9
1024586	1-1	1026119	3-13	1027976	3-61, 3-63
1024599	2-85, 2-93	1026130	2-61	1027978	3-61, 3-63
1024648	2-63	1026142	2-93	1028049	2-63
1024658	2-65	1026150	2-7	1028074	2-87
1024695	2-17	1026195	2-67	1028173	2-91
1024764	2-105	1026222	2-3	1028203	2-45
1024772	2-31	1026223	2-3	1028205	2-89
1024853	2-95	1026316	2-91	1028211	2-91
1024891	2-95	1026319	2-113	1028236	2-69
1024977	3-67	1026352	2-51, 2-53	1028249	2-65
1025005	1-1, 3-7	1026417	2-67	1028253	2-7
1025041	2-61	1026550	2-27	1028270	3-15
1025092	2-85	1026576	2-41	1028328	2-91
1025100	2-55, 2-61	1026628	2-21	1028334	2-65
1025132	2-115	1026645	2-103	1028374	2-69
1025140	2-48	1026665	2-21	1028412	2-21
1025151	2-73, 2-77	1026726	2-21	1028420	2-33
1025159	3-5	1026743	3-57, 3-61, 4-21	1028433	1-1, 2-61
1025178	2-71	1026746	3-67	1028440	2-61
1025196	2-21	1026759	2-27	1028446	2-61
1025198	2-61	1026804	2-63	1028495	2-59
1025229	2-27	1026806	2-63	1028516	2-21
1025254	2-7	1026825	2-15	1028522	2-91
1025320	2-61	1026831	2-67	1028570	2-91
1025405	3-13	1026900	2-67	1028582	3-17
1025435	2-9	1027099	2-39	1028590	2-45
1025445	3-15	1027103	2-39	1028635	2-75, 2-79
1025449	2-85, 2-93	1027108	2-65	1028667	2-33
1025452	2-85, 2-93	1027112	2-39	1028690	2-85, 2-93
1025460	2-71	1027143	2-65	1028691	2-85, 2-93
1025480	2-85, 2-93	1027147	2-65	1028697	3-5
1025487	2-47	1027218	2-9	1028701	2-85, 2-93
1025495	2-47	1027228	2-41	1028769	2-13



# CROSS REFERENCE

Part Number	Page Number	Part Number	Page Number	Part Number	Page Number
1028772	2-13	1031331	1-1, 2-69	1035878	2-39
1028821	2-113	1031351	2-65	1035976	2-39
1028822	2-113	1031413	2-55	1035997	2-9
1028905	2-3	1031543	2-19	1036240	2-7
1028972	2-77	1031557	2-19	1036710	2-103
1028979	2-77	1031566	2-33, 2-35	1036801	3-31
1028994	2-37	1031572	3-5	1036844	2-35
1029057	3-61, 3-63	1031610	2-91	1036847	2-35
1029061	2-109	1031665	2-9, 2-13, 2-17	1036859	2-35
1029062	2-109	1031699	2-91, 4-3	1036892	2-13, 2-29
1029118	3-19	1031796	4-21	1036899	2-109
1029128	2-73	1031797	4-21	1036939	2-105
1029132	2-73	1031798	4-21	1036965	3-15
1029153	3-61, 3-63	1031799	4-21	1036997	2-87
1029155	3-61, 3-63	1031800	4-21	1037011	3-13
1029156	3-61, 3-63	1031801	4-21	1037042	2-109
1029185	2-87	1031802	4-21	1037346	2-41
1029362	2-13	1031803	4-21	1037749	3-70
1029379	3-7, 4-9	1031823	1-1, 2-73, 2-77	1037805	3-13, 4-17
1029396	3-51, 3-53	1031826	2-7	1037809	3-40
1029399	3-61, 3-63	1031827	2-7	1037825	3-23, 3-35
1029497	3-5	1031945	1-1, 2-69	1037940	2-43
1029545	2-19	1032010	2-37	1037970	2-19
1029652	2-19	1032399	2-49	1037971	2-19
1029689	2-33, 2-35	1032424	2-29	1037972	2-19
1029748	2-82	1032450	2-141	1038035	2-33
1029790	3-61, 3-63	1032512	2-29	1038074	2-87
1029964	2-51, 2-53	1032546	2-65	1038115	3-9
1030017	2-9	1032701	2-89	1038137	2-55, 2-75, 2-79, 3-9
1030280	2-91	1032743	2-51, 2-53	1038258	2-51, 2-53
1030404	2-101	1032812	2-27	1038498	2-7
1030407	3-57, 3-59	1032830	3-49	1038569	2-101
1030441	4-22	1032831	3-49	1038805	2-81, 2-82
1030444	4-22	1032869	3-65	1039019	3-5
1030503	3-67	1032884	3-65	1039049	2-91
1030511	3-23, 3-27, 3-35, 3-39	1033156	2-21	1039064	2-87
1030515	3-67	1033297	3-19	1039072	2-91
1030522	3-67	1033644	1-1	1039091	2-7
1030557	3-67	1033688	2-39	1039208	2-35
1030558	2-61	1033697	2-33	1039212	2-35
1030588	2-15, 2-21	1033897	2-27	1039348	2-65, 2-75, 2-79
1030593	2-9	1033901	2-27	1039357	3-31
1030617	2-82	1033975	2-9	1039396	2-57
1030709	2-109	1034147	2-71	1039468	2-61
1030863	3-17	1034282	2-71	1039469	2-61
1030864	3-17	1034764	2-11	1039521	2-27
1030878	3-17	1034765	2-11	1039652	2-91
1030910	2-55	1034766	2-11	1039697	2-91
1030911	2-55	1034767	2-15	1039757	2-81, 2-82
1030969	2-3	1034768	2-11	1040018	2-57
1031011	1-1, 2-73, 2-77	1034769	2-11	1040096	2-23
1031012	2-29	1034770	2-11	1040098	2-67
1031017	2-141	1034878	2-115	1040318	2-113, 2-115
1031152	2-65	1035044	2-91	1040467	2-17, 2-19, 2-29, 2-39
1031206	2-15	1035068	2-19	1040524	2-3
1031217	2-59	1035133	3-70	1040633	3-65
1031233	2-81	1035341	2-33, 2-35	1040800	3-65
1031235	2-82	1035727	2-71	1040835	2-29
1031286	2-59	1035794	3-31	1040841	2-11
1031305	2-65	1035832	2-9	1040863	3-67

# CROSS REFERENCE

Part Number	Page Number	Part Number	Page Number	Part Number	Page Number
1040871	3-67	150540	3-31	21657	4-20
1042003	2-85	150709	3-31	21659	4-20
1042010	2-93	150713	3-31	21851	2-15
1042046	2-89	15331	2-19	21852	2-3
1042499	2-5	15539	2-3, 2-5	21933	4-19
1042500	2-5	15648	2-85, 2-93	21934	4-19
1042504	2-5	15675	2-51, 2-53	21935	4-19
1042710	4-22	15678	3-31	21955	4-9
1042711	4-22	15687	2-23	21956	4-9
1042963	2-59	16213	2-49	21958	4-9
1042968	3-7	16376	2-23	21960	4-11
1044342	3-31	16411	1-1	222027	2-61
1044343	3-31	16412	1-1	222210	2-61
1045272	3-13	16462	2-107	222267	2-81, 2-82
1045444	3-67	16695	4-8, 4-9, 4-11	222268	2-67
1045759	2-109	16735	2-91, 3-9	222290	2-41
1046798	2-91	16931	2-9, 2-15, 2-19, 2-21, 2-29, 2-37, 2-39, 2-43, 2-47, 2-95	222320	2-3
1047098	2-81, 2-82			222321	2-3
1047169	2-9	16953	2-33	222322	2-3
1047295	2-9	16968	2-13	222324	2-3
1047625	4-17	17185	2-51, 2-53, 3-17	222325	2-3
1048474	2-81, 2-82	17284	3-11	222326	2-3
1048512	2-81, 2-82	17414	2-27, 2-29	222327	2-3
1049254	3-31	17461	2-55, 2-61, 2-75, 2-79, 3-9	222496	2-37, 2-51, 2-53, 2-59
1049259	3-31			222505	2-37, 2-65, 2-71
1050295	3-49	17521	2-87	222516	2-85, 2-93
1050757	2-23, 2-24	17980	2-17	22290	2-17
1051026	2-3	19064	2-39, 3-51, 3-57, 3-59	223054	2-63
10632-17	3-46, 3-47, 3-49	19065	2-15	223080	2-15
10632-19	3-17, 3-31	19066	2-15, 2-21, 2-33, 2-35, 2-41, 3-41, 3-43, 3-45, 3-46, 3-47, 3-57, 3-61	223198	2-55, 3-67
10632-2	3-5			223470	3-7
10844	5-17, 6-17	19191	2-59, 3-7	223599	2-13
10845	5-17, 6-17	19252	2-23	22609	4-11
10851	5-31, 6-29	19310	2-23	22614	4-11
10852	5-31, 6-29	19313	3-49	22615	4-11
10895	5-3	19583	2-43	22790	4-3
10908	2-3	20170	2-47	23285	4-3
10917	4-21	20171	2-23	23498	2-85, 2-93, 2-95
11399	2-7, 2-39, 2-67	20394	2-19, 3-61, 3-63	23788	2-47
11531	2-37, 2-39, 3-51	20432	5-21, 6-19	24012	2-37
11842	2-49	20433	5-21, 6-19	24105	3-3
11984	3-19	20719	5-23	24196	3-41, 3-43, 3-45, 3-46, 3-47
12295	2-51, 2-53	20778	2-41	24265	2-21, 3-3
12309	2-65	20807	2-89	24299	2-3, 2-5
12317	2-7, 2-81, 3-11, 3-67	20833	1-1, 2-71	24339	2-43
12895	5-15	20944	3-5	24358	2-91, 4-3
12916	6-7	20951	3-5	24543	3-5
13534	2-51, 2-53	20952	3-5	24544	3-3, 3-17, 3-31
13698	2-113	20952	3-5	24555	2-69, 2-71
13904	4-13, 4-15, 4-17	21168	2-21, 2-57, 2-65, 2-73, 2-77	24976	2-23
13907	4-7, 4-15			25046	2-59, 3-7
14432	2-31	21196	3-67	25122	2-115
14595-1	2-47	21197	2-49, 2-59	25312	3-69
14605	2-47	21198	2-111, 3-57, 3-59	25611	2-59, 3-7
14838	2-3, 2-5	21601	2-69	25686	2-51, 2-53
14877	3-3, 3-5, 3-17, 3-31	21602	2-69	25735	2-71, 2-73, 2-77
150100	3-17	21603	2-69	28854	4-9
150208	3-55	21606	2-69	29557	3-9
150525	3-19	21623	2-65	29558	3-9
150538	3-31				

# CROSS REFERENCE

Part Number	Page Number	Part Number	Page Number	Part Number	Page Number
29584	2-63	35707	2-33, 2-35	368091	5-31, 6-29
30121	5-17	360023	2-45	368132	2-39
30122	5-17	360074	2-45	368391	2-15
30125	5-10, 6-10	360270	2-45	36845	3-9
30131	5-23, 6-20	360271	2-45	369359	3-7, 3-67
30132	5-23	360272	2-45	369704	2-41
30136	5-28, 6-26	360273	2-45	369745	2-31
31354	4-8, 4-9	360274	2-45	369746	1-1, 2-31
31375	4-8	360275	2-45	369747	2-31
31376	4-11	360276	2-45	370091	2-3
31379	4-8	360801	2-75, 2-79, 2-91	370095	2-3
31383	4-8	360802	2-45	370100	2-69
31543	3-35	360824	3-65	371017	6-9
31613	1-1, 2-115	361047	3-15	371527	2-35
32183	2-27, 3-5	361071	2-13	371972	1-1
32483	2-15, 2-17, 2-27, 2-31, 2-33, 2-35, 2-37, 2-49	361073	2-13	372900	5-10
32485	2-23, 2-31, 2-33, 2-49, 2-55, 2-71, 2-111	361075	2-13	372901	5-10, 6-10
32486	2-17, 2-39, 2-45, 3-9	361339	2-47, 2-49, 2-57, 2-61, 3-17, 3-19	372904	5-10, 6-10
32490	2-9, 2-29, 2-33, 2-39, 2-41, 2-47, 2-49, 3-17, 3-19	361366	5-4, 6-4	372905	5-11, 6-11
32491	2-7, 2-9, 2-15, 2-17, 2-19, 2-21, 2-24, 2-27, 2-29, 2-33, 2-35, 2-37, 2-39, 2-43, 2-47, 2-49, 2-51, 2-53, 2-55, 2-61, 2-63, 2-81, 2-85, 2-89, 2-91, 2-93, 2-113, 2-115, 3-9, 3-11, 3-13, 3-49, 3-57, 3-61, 3-65	361368	5-23	372906	6-5
32492	2-7, 2-15, 2-33, 2-35, 2-49, 2-59, 2-71, 2-81, 3-7, 3-49, 3-57, 3-59, 3-67, 3-68	361372	6-5	372907	6-5
32493	2-7, 2-23, 2-24, 2-65	361373	5-23, 6-20	372912	5-10, 6-10
32746	2-3, 2-5	361374	5-10, 6-7, 6-10	372913	5-10, 6-10
32747	2-3	361375	6-26	372917	5-23, 6-20, 6-21
32981	2-27, 2-95	361375	6-26	372918	5-10
32983	2-15	361389	6-7	372920	5-3
32987	2-43	361392	5-12, 6-12	372921	5-5
32988	2-33, 2-35	361395	6-17	372927	5-10
331475	3-70	361401	6-7	372928	5-10, 6-10
331500	3-70	361427	5-11	373217	4-5
331501	3-70	361428	5-4, 6-4	373226	4-5
331502	3-70	361430	5-30, 6-28	373236	4-5
331503	3-70	361436	5-3, 6-3	373260	4-5
33295	3-3	361440	5-8, 5-31, 6-8	373291	4-5
33373	2-71	361589	6-12	373297	4-5
33580	4-5	363162	2-69	373298	4-5
33595	2-23	36328	2-65, 2-75, 2-79	373299	4-5
33612	2-33, 2-35	363301	2-69	373317	4-7
33671	2-41	363458	2-7	373327	4-7
33932	2-21, 2-49, 2-73, 2-77, 3-3	363976	2-9	373346	4-7
34178	4-5	364347	2-47	373347	4-7
34359	3-13	364441	2-69	373348	4-7
34390	2-59	364749	2-15	373389	4-7
35493	4-10	364779	2-29	373391	4-7
		364805	2-37	373393	4-7
		364864	2-47	373394	4-7
		364948	2-47	373395	4-7
		364972	2-23	373398	4-7
		365009	2-107	373402	4-7
		365066	2-29	373413	4-7
		365190	2-29	373427	4-7
		36643	2-49, 2-95	373429	4-7
		36644	2-55	373434	4-7
		367591	2-23	373493	4-7
		367770	2-63, 3-57, 3-59	373494	4-7
		367771	2-65	373631	4-15
		367949	2-81, 2-82	373633	4-13, 4-17
		368056	2-23	373640	4-13, 4-15, 4-17
		368059	2-23	373642	4-13, 4-15, 4-17
		368090	5-31, 6-29	373646	4-13, 4-15, 4-17

# CROSS REFERENCE

Part Number	Page Number	Part Number	Page Number	Part Number	Page Number
373647	4-13, 4-15, 4-17	385644	3-21, 3-23, 3-33, 3-57, 3-61	39349	2-9, 2-43, 2-49, 2-67, 2-75, 2-79, 2-85, 2-93
373648	4-13, 4-15			39350	2-43
373656	4-13, 4-17	385685	2-82, 2-91, 3-5	393504	6-5
373657	4-13, 4-15, 4-17	386088	2-75, 2-79	393566	6-20
373658	4-13, 4-15, 4-17	386264	2-69	393570	6-3
373661	4-13	386298	2-69	393588	6-8
373662	4-13, 4-17	386652	3-5	393598	6-12
373663	4-13, 4-15, 4-17	387237	2-69	39507	6-20
373664	4-13, 4-15, 4-17	387433	2-69	39508	5-23
373665	4-15	387500	2-69	39527	4-8
373666	4-15	388500	6-21	39534	2-95
373667	4-15	38968	4-5	395973	2-117, 3-13
373668	4-15	39005	2-63	395974	2-117, 3-13
373669	4-15	39051	5-3, 6-3	396221	2-101
373670	4-13, 4-15	39062	5-3, 6-3	396255	2-103
373671	4-15	39063	5-3, 5-5	396273	2-103
373672	4-13, 4-15, 4-17	39065	5-7, 5-25, 5-29, 5-31, 6-7, 6-23, 6-27	396278	2-107
373673	4-13, 4-15			396438	2-103
373674	4-11	39073	5-4, 5-5, 6-4, 6-5	396476	2-117, 3-13
373678	4-7	39087	5-3, 6-3	39703-2	1-1, 2-24
373679	4-7	39088	5-3, 5-5, 6-3, 6-5	397648	3-57, 3-59
373680	4-7	39094	5-4, 6-4	397826	2-67
373681	4-7	390994	2-81	397914	2-3
373683	4-17	39103	5-7	397974	2-3
373684	4-17	39105	5-3	39811	2-55
373685	4-17	39119	5-9	398279	2-31
373686	4-17	39121	5-7, 5-25, 5-29, 5-31, 6-7, 6-23, 6-27	398468	3-17
374560	2-43			398474	3-17
374563	2-43	391368	2-19	398500	3-57, 3-61
374704	3-27, 3-39	39160	5-15, 5-28, 5-30, 6-23	398501	2-13
375321	3-61, 3-63	39161	5-7	399249	2-3
375322	3-3	391804	2-65	40166	5-23, 5-28, 6-20, 6-26, 6-27
37555	4-8, 4-9, 4-11	391957	2-139		
37616	4-5	391969	2-139	40362	2-115
377349	2-81, 3-3	39197	5-15, 6-15	40407	5-29, 6-27
377537	1-1	39210	2-117, 3-13	40409	5-11, 5-13, 6-11
377538	1-1	392171	2-13	40418	6-29
377540	1-1	392609	2-95	40625	2-113
37756	4-5	392611	2-33, 2-35	40678	2-113
379030	2-61, 2-63	39277	2-7, 2-9, 2-24, 2-27, 2-33, 2-35, 2-39, 2-85, 2-93, 2-113, 2-115	41130	2-95
379609	2-43, 4-5			41141	2-7, 2-65
379656	2-29	39278	2-49	41169	2-49
379870	2-65, 2-75, 2-79	39279	2-47	41178	2-15, 2-21
380521	2-23	39281	2-71	41185	2-65, 2-75, 2-79
381502	2-47, 2-63	39283	2-9, 2-23, 2-33, 2-35	41186	2-35, 2-49, 2-85, 2-93, 2-95, 3-9
381854	2-107	39284	2-23, 2-31		
381866	2-107	39308	2-75, 2-79	41187	2-75, 2-79
382099	2-55	39311	2-9	41295	3-3, 3-5
382224	2-47, 2-63	393129	2-67	41315	2-87
382320	2-81, 2-82, 2-91, 3-69	393135	2-73, 2-77, 2-85, 2-93, 3-65	41346	3-9
382516	2-13			41361	2-35
38255	4-5	393215	2-43	41370	2-49
38263	4-11	393244	1-1, 2-35	41430	2-23, 2-33, 2-39, 3-49, 3-67
383165	2-13	393255	3-11		
384418	2-21, 2-73, 2-77	393370	2-33	41445	2-75, 2-79
384419	2-21	393371	2-33	41579	2-3
384859	6-29	393400	6-17	41619	2-55, 2-61, 2-63, 2-75, 2-79
384871	6-9	393401	2-23		
384872	6-7, 6-11, 6-29			41792	5-4
384874	6-10				

# CROSS REFERENCE

Part Number	Page Number	Part Number	Page Number	Part Number	Page Number
41973	5-15, 5-29, 5-31, 6-13, 6-15, 6-27, 6-29	51787	2-113	578066000	3-55
42011	2-35	51824	2-55	578071000	3-53
42120	2-55, 2-61	51869	2-23	578072000	3-53
42133A	3-3, 3-17, 3-31	52405	4-5	578074000	3-55
42180	2-49	53029	2-29	578077000	3-55
42223	2-43	53076	2-111	578078000	3-55
42226	2-95, 2-117, 3-13	53466	2-7, 2-9, 2-39, 2-41, 2-113, 3-19	578091000	3-55
42467	2-49	53485	4-10	578094000	3-55
43555	2-85, 2-93	53782	2-65	578123000	3-55
43844	2-39, 2-89, 3-3, 3-5, 3-31	53947	2-49	578124000	3-55
44868	2-51, 2-53, 2-59, 2-111, 2-117, 3-13	53953	2-49	578125000	3-55
44869	2-59, 2-111, 2-115, 3-13	54017	2-101	578126000	3-55
45261	2-65	54051	2-43	578143000	3-55
45622	4-5	54052	2-43	578154000	3-55
45623	4-5	54087	2-43	578155000	3-55
45628	4-8, 4-9, 4-11	54095	4-10	578160000	3-53
46236	3-43, 3-45	54205	2-49	578161000	3-55
46390	2-33	54274	2-39, 2-95	578164000	3-55
46480	2-117	54275A	2-95	578214000	3-55
46481	2-113	54333	2-27, 2-29, 2-41, 2-89, 3-11, 3-17, 3-21, 3-23, 3-25, 3-27, 3-31, 3-33, 3-35, 3-37, 3-39, 3-57, 3-59, 3-61	578228000	3-55
46482	2-115, 2-117			578276000	3-53
46559	2-49	54390	2-45	578318000	3-53
46563	2-47	54607	2-47	578439	3-55
46800	3-7	54615	2-91	578820000	3-53
47504	3-13	54620	2-59	578821000	3-55
47512	2-111	54655	2-49	579112	3-55
47513	2-111	54861	2-95	57946	2-105
47522	2-43	54911-16	2-23	58286	2-23
47566	2-29	55272	3-43, 3-45, 3-46, 3-47	58311	2-47
47585	2-17	55455	2-115	58494	2-15
47801	2-43	55586	2-51, 2-117, 3-13	58566	2-23
48079	2-49	55685	2-115, 3-13	58592	2-115
48126	2-27	55837	2-23	58819	2-7, 2-9, 2-48
48267	2-27	55845	3-51	58842	2-43
48610	3-57, 3-59	55847	5-8, 6-8	58979	2-59, 2-91
48813	4-10	55926	4-7	59009	2-47
48985	2-55, 3-9	56078	2-51, 2-53	59015	2-29
49145	2-45	56185	2-17	59156	2-33, 2-35, 3-9
49266	2-13, 2-29, 2-39, 2-43, 3-17, 3-46, 3-47	56186	2-29, 3-17, 3-31, 3-57, 3-61	59194	2-75
49694	2-59	56690	2-17, 2-115, 3-13, 3-15	59195	2-79
49697	2-73, 2-77	56692	3-7	59378	4-10
49800	2-15, 2-39	56820	2-17, 2-117, 3-13	59577	2-17
49933	2-95, 2-117	56821	2-111, 3-7	59578	2-23
50178	3-11	56835	2-17	59633	3-9
50335	2-49	56835	2-17	59668	2-49
50544	2-87	56992	2-13	60090	3-13
50902	2-33	57189	2-95	602036000	3-55
51109	2-47	57248	3-31	60295	2-41
51176	2-23	57315	2-43	61212	3-57, 3-59
51305	2-39	57702	3-67	61490	4-8, 4-9
51331	5-5	57769	3-57, 3-59	61920	3-41
51332	5-11, 6-11	57804	2-41	62471	2-113
51338	2-43	578060000	3-55	63175-1	3-9
51339	2-43	578061000	3-55	63233	3-9
51754	2-105	578063000	3-55	63234	2-49
		578064000	3-55	63244-2	3-3
				63245-1	3-17, 3-27, 3-39
				63430	3-51
				63448	3-51
				63451	3-51

# CROSS REFERENCE

Part Number	Page Number	Part Number	Page Number	Part Number	Page Number
63468	2-71	70208	5-21, 6-19	70945	5-17, 6-17
63810	2-23, 2-87, 2-89, 3-3, 3-5, 3-11, 3-21, 3-23, 3-33, 3-35, 3-37, 3-57, 3-61, 3-63	70209	5-21, 6-19	70946	5-17, 6-17
63923	4-20	70210	5-21, 6-19	70947	5-17, 6-17
63987-1	2-89	70211	5-21, 6-19	70948	5-17, 6-9
64425	2-71, 2-73, 2-75, 2-77, 2-79, 3-7	70212	5-21, 6-19	70949	5-17
64743	3-17	70213	5-21, 6-19	70950	5-17
64778	3-61, 3-63	70563	2-51, 2-53	70951	5-17
65145-1	2-111	70622	2-17	70952	5-17
65180	2-71	70623	2-17	70953	5-17
65197	2-103	70624	2-59	70954	5-17, 6-17
65215	2-115	70709	2-17	70955	5-17, 6-17
65230	4-9	70717	2-17	70956	5-19, 6-18
65241	4-8	70887	5-3, 6-3	70957	5-19
65340	3-55	70888	5-3, 6-3	70964	5-23
65341	3-53	70889	5-4, 6-4	70965	5-23, 6-20
65342	3-57, 3-59	70890	5-4	70966	5-23, 6-20
65441	2-49	70891	5-4	70967	5-23, 6-20
65580	3-51, 3-57, 3-59	70893	5-4	70968	5-23, 6-20
65582	3-55	70895	5-5	70972	5-25, 6-23
65610	3-55	70896	5-5	70973	5-25, 6-23
65695	2-51, 2-53	70897	5-5, 6-5	70974	5-25, 6-23
66187	5-4, 6-4	70899	5-5	70975	5-13
66194	5-5, 6-5	70900	5-7, 6-7	70976	5-13
66204	5-17, 6-17	70901	5-7, 6-7	70977	5-13, 6-13
66205	5-8	70902	5-7, 6-7	70978	5-13, 6-13
66207	5-17, 6-17	70903	5-7, 6-7	70979	5-13
67004	3-51, 3-57, 3-59	70904	5-7, 6-7	70980	5-28
67555	2-55	70905	5-7, 6-7	70982	5-29, 6-27
67767	2-39, 2-49, 2-91	70906	5-7, 6-7	70983	5-29, 6-27
67811	2-111	70907	2-23, 5-7, 6-7	70984	5-29, 6-27
68106	2-23	70909	5-7	70985	5-30
68866	2-49	70910	5-7	70986	5-30
68869	2-41	70911	2-23, 5-7, 6-7	70987	5-30
69173	2-59, 2-117	70912	5-7, 6-7	70988	5-30
69234	2-29, 2-31	70913	5-7, 5-10, 6-7, 6-10	70989	5-30, 6-28
69582	2-47	70915	5-8	70991	5-30, 6-28
69785	2-81	70916	5-8	70992	5-30, 6-28
70096	4-7	70917	5-8	70994	5-31, 6-29
70100	4-7	70919	5-8, 6-8	70998	5-3, 6-3
70157	2-9	70920	5-8, 6-8	70999	6-3
70165	2-23, 5-28, 6-23	70921	5-9	71100	2-63
70173	2-29	70922	5-9	71101	2-63
70188	5-28, 6-23	70923	5-9, 6-9	71340	2-43
70189	5-7	70924	5-9, 6-9	71341	2-43
70196	5-21, 6-19	70925	5-9, 6-9	71367	2-47
70197	5-21, 6-19	70926	5-9	71369	2-55
70198	5-21, 6-19	70927	5-9	71385	2-23
70199	5-21, 6-19	70928	5-9	71388	2-23, 2-33, 2-35
70200	5-21, 6-19	70929	5-10, 6-10	71579	2-7, 2-65
70201	5-21, 6-19	70934	5-11, 6-11	71607	2-75, 2-79
70202	5-21, 6-19	70935	5-11, 6-11	71726	2-115
70203	5-21, 6-19	70936	5-12, 6-12	71727	2-117
70204	5-21, 6-19	70937	5-12, 6-12	71729	2-51, 2-53, 4-8
70205	5-21, 6-19	70938	5-17	71735	2-103
70206	5-21, 6-19	70939	5-17	71741	2-103
70207	5-21, 6-19	70940	5-17	71868	3-9
		70941	5-17, 6-17	71869	3-9
		70942	5-17, 6-17	71874	3-9
		70943	5-17, 6-17	71941	2-19
		70944	5-17	71985	5-3, 6-3

# CROSS REFERENCE

Part Number	Page Number	Part Number	Page Number	Part Number	Page Number
71986	5-3, 6-3	73504	5-12, 6-12	73589	5-27, 6-23, 6-25
71987	5-3, 6-3	73505	5-12	73590	5-27, 6-23, 6-25
71988	5-3, 6-3	73506	5-12, 6-12	73592	5-13
71989	5-3	73507	5-12, 6-12	73593	5-13, 6-13
71990	5-3, 6-3	73508	5-12, 6-12	73594	5-13, 6-13
71991	5-3, 6-3	73509	5-15, 6-15	73595	5-13
71992	5-3, 6-3	73510	5-15	73596	5-13, 6-13
71993	5-3, 6-3	73511	5-15, 6-15	73597	5-13, 6-13
71995	5-4, 5-13, 6-28	73512	5-15, 6-15	73598	5-13, 6-13
71996	5-5, 6-5	73513	5-15, 6-15	73599	5-13, 6-13
71997	5-5, 6-5	73514	5-15, 6-15	73600	5-13, 6-13
71999	5-5	73515	5-15, 6-15	73601	5-13, 6-13
72010	5-5, 6-5	73516	5-15, 6-15	73602	5-13, 6-13
72011	5-7	73517	5-15, 6-15	73603	5-13, 6-13
72012	5-7	73518	5-15, 6-15	73604	5-13, 6-13
72013	5-7, 6-7	73519	5-15, 6-15	73605	5-28
72014	5-7, 6-7	73520	5-17, 6-17	73606	5-28, 6-26
72015	5-7, 6-7	73521	5-17, 6-17	73607	5-28
72016	5-7, 6-7	73522	5-17, 6-17	73610	5-28, 6-26
72017	5-7	73523	5-17, 6-17	73618	5-29
72018	5-7, 5-29	73524	5-17, 6-17	73619	5-29, 6-27
72019	6-7	73525	5-17, 6-17	73620	5-29
72926	2-43	73526	5-17, 6-17	73621	5-29, 6-27
72968	3-51, 3-57, 3-59	73527	5-17, 6-17	73622	5-29, 6-27
72970	2-17	73528	5-17, 6-17	73623	5-29, 6-27
72993	5-7, 6-7	73529	5-17, 6-17	73624	5-29, 6-27
72994	5-7, 5-11, 6-7	73530	5-17, 6-17	73625	5-29, 6-27
72995	5-7, 5-31	73532	5-17, 6-17	73626	5-29, 6-27
72996	5-8, 5-11, 5-31	73533	5-19, 6-18	73627	5-30
72997	5-8	73534	5-19	73628	5-30
72998	5-9, 6-9	73535	5-19	73629	5-30
72999	5-9	73545	5-21, 6-19	73630	5-30
73027	2-17	73547	5-21, 6-19	73631	5-30, 6-28
73260	3-3, 4-20	73551	5-21, 6-19	73632	5-31, 6-29
73281	2-43	73554	5-23, 6-20	73633	5-31, 6-29
73342	4-3	73555	5-23, 6-20	73634	5-31, 6-29
73411	2-49	73560	5-23, 6-20	73636	5-31
73433	3-3	73561	5-25, 6-23	73736	2-13
73471	2-39	73562	5-25, 6-23	73737	2-35
73479	5-9, 6-9	73563	5-25, 6-23	74027	2-67
73481	5-11, 6-11	73565	5-25, 6-23	74077	2-21
73482	6-10	73567	5-27, 6-25	74090	2-85, 2-93
73483	5-10, 6-10	73568	5-27, 6-25	74094	4-8, 4-9, 4-11
73484	5-10, 6-10	73569	5-27, 6-25	74095	4-8
73487	5-11, 6-11	73570	5-27, 6-25	74098	4-8, 4-11, 4-15
73488	5-11, 6-11	73571	5-27, 6-25	74099	4-8
73489	6-11	73572	5-27, 6-25	74100	4-8, 4-9
73491	5-12, 6-12	73573	5-27, 6-25	74101	4-11
73492	5-12, 6-12	73574	5-27, 6-25	74122	4-5
73493	5-12, 6-12	73575	5-27, 6-25	74123	4-5
73494	5-12, 6-12	73576	5-27, 6-25	74125	4-5
73495	5-12	73577	5-27, 6-25	74165	4-5
73496	5-12	73578	5-27, 6-25	74166	4-5
73497	5-12, 6-12	73579	5-27, 6-25	74167	4-5
73498	5-12, 6-12	73580	5-27, 6-25	74168	4-5
73499	5-12, 6-12	73581	5-27, 6-25	74180	4-7
73500	5-12, 6-12	73582	5-27, 6-25	74183	4-19
73501	5-12	73585	5-27, 6-25	74185	4-19
73502	5-12, 6-12	73586	5-27, 6-25	74193	4-19
73503	5-12	73588	5-27, 6-23, 6-25	74196	4-19

# CROSS REFERENCE

Part Number	Page Number	Part Number	Page Number	Part Number	Page Number
74222	4-19	78952	4-21	9002391	2-13
74225	4-7	79273-1	3-21, 3-23, 3-25, 3-27	9002392	2-13
74226	4-7	79273-2	2-87, 2-89	9002398	2-115
74232	4-19	79380	2-95	9002401	2-7
74233	2-95, 4-10	79399	2-23	9002410	2-9
74237	4-7	79484	3-3	9002411	2-37
74243	4-19	79497	3-3	9002412	2-39
74244	4-19	79506	2-85, 2-93	9002436	2-13
74245	4-19	79729	4-5	9002437	2-13
74250	4-8, 4-9, 4-11	79828	4-5	9002670	2-81
74405	2-23, 5-21, 6-19	80288	2-9	9002684	2-95
74440	2-49	80395	2-69, 2-85, 2-93	9002708	4-3
74452	2-37	80409	2-71	9002709	4-3
74455	2-39, 2-113	80950	2-71	9003008	4-22
75456-3	2-95	81582	2-67	9003009	4-22
75456-4	2-95	81784	2-75, 2-79	9003055	2-67
75968	2-17	81952	2-71	9003057	2-73, 2-77
760740	2-65	82727	2-9	9003058	2-65
76099	2-57, 3-19, 3-23, 3-27, 3-35, 3-39	82839	3-11	9003059	2-65
761490	2-7, 3-11	83874	1-1, 2-69	9003060	2-63
762249	3-17	83879	2-49	9003061	2-59
762514	2-41	84170	2-49	9003068	2-82
763090	2-55	84596	2-43	9003069	2-81
763114	3-17	84597	1-1, 2-43	9003070	2-82
763115	3-46, 3-47	84631	5-5	9003071	2-81
763116	2-39, 3-17, 3-23, 3-35	84635	5-25, 5-27, 6-23, 6-25	9003072	2-91
76426	2-91	84636	5-13, 6-13	9003130	1-1
76570	2-23, 2-33, 2-35, 2-85, 2-93	84638	5-23, 6-20	9003134	3-51
768481	2-17	84644	5-25, 6-23	9003135	3-67
76888	2-15	84647	5-3	9003139	3-61
76955	2-35	84648	5-27, 6-25	9003142	3-68
76957	2-33	84649	5-27, 6-25	9003143	3-65
769785	3-61, 3-63	84650	5-27, 6-25	9003247	2-59
77003	4-15	84651	5-27, 6-23, 6-25	9003249	2-59
77005	4-13, 4-15, 4-17	84660	3-70	9003282	3-63
77006	4-15	86508	3-3	9003313	2-91
77097	2-59, 2-63, 2-75, 2-79, 2-117, 3-9	86636	2-91	9003424	2-9
77098	2-55, 2-61, 3-9	86659	2-45	9003427	2-9
77221	2-141	86751	2-47	9003430	2-9
77347	2-7	86759	3-7	9003455	2-95
77488	2-63	86767	3-51	9003461	2-95
78043	2-29	86866	2-55, 2-61, 2-63	9003611	2-27
78122	3-57, 3-59	87536	2-13	9003793	2-85
78398	3-3, 4-3	87631	2-51, 2-53	9003794	2-93
78829	4-3	87738	2-29	9003868	6-8
78830	4-3	87816	2-75, 2-79	9003869	6-8
78833	4-3	87866	1-1, 2-13	9003870	6-8
78836	4-3	9000355	2-27	9003888	6-4
78838	4-3	9000845	3-43, 3-46	9003891	6-18
78839	4-3	9000846	3-45, 3-47	9003934	2-27
78840	4-3	9000879	3-43, 3-45, 3-46, 3-47	9003958	2-27
78841	4-3	9001314	3-49	9004118	2-81
78842	4-3	9001316	3-69	9004283	6-28
78843	4-3	9001321	3-41	9004335	6-3
78875	4-20	9001327	3-43	9004337	6-3
78950	4-21	9001331	3-45	9004338	6-4
78951	4-21	9001717	3-47	9004339	6-4
		9001718	3-46	9004340	6-5
		9002382	2-9	9004341	6-5
		9002383	2-9	9004346	6-7



<b>Part Number</b>	<b>Page Number</b>	<b>Part Number</b>	<b>Page Number</b>
9004347	6-7	9004514	4-22
9004348	6-4	9004515	3-31, 4-22
9004349	6-9	9004775	6-28
9004350	6-9	9004880	2-13
9004358	6-15	9006001	5-4
9004361	6-17	9006060	1-1
9004363	6-17	9006398	2-51, 2-53
9004368	6-13		
9004369	6-13		
9004371	6-13		
9004372	6-13		
9004373	6-13		
9004374	6-26		
9004375	6-26		
9004376	6-23		
9004379	6-28		
9004381	6-28		
9004382	6-28		
9004385	6-27		
9004386	6-27		
9004389	6-20		
9004390	6-20		
9004393	6-20		
9004395	6-21		
9004396	6-21		
9004397	6-21		
9004398	6-21		
9004399	6-21		
9004400	6-21		
9004401	6-21		
9004402	6-8		
9004403	6-8		
9004404	6-8		
9004405	6-8		
9004406	6-8, 6-11		
9004407	6-8		
9004409	6-12		
9004410	6-12		
9004431	6-3		
9004432	6-7		
9004433	6-10		
9004435	6-4		
9004436	6-9		
9004437	6-9		
9004438	6-9		
9004439	6-9		
9004440	6-15		
9004441	6-17		
9004442	6-18		
9004443	6-18		
9004444	6-18		
9004445	6-13		
9004446	6-26		
9004447	6-26		
9004448	6-28		
9004449	6-27		
9004450	6-20		
9004451	6-20		
9004454	6-23		
9004493	2-69		

**PART DESCRIPTION TO PAGE NUMBER CROSS REFERENCE LIST**

**A**

Ace, Thrust, Motor, Hyd [En], 4-9, 4-11  
 Actuator, Govnr, Dsl, 2-23  
 Actuator, Valve, By-Pass [En], 4-7  
 Adapter, Head / Wand [17b/E], 3-55  
 Adapter, Actuator, Govnr, Eng, Dsl, 2-23  
 Adapter, Rod-End, Side Brush, 3-9  
 Alarm Assy, Backup, 12-24vdc  
 82-107dba, 3-41  
 Alarm Kit, Backup, Ci [M20 And T20], 3-41  
 Alarm, Warning [Sonalert, St628], 2-41  
 Alternator, 12vdc, 075a [Valeo], 2-33, 2-35  
 Angle, Brace, Shrd, 2-21  
 Angle, Deflector, 2-57  
 Angle, Mtg, Stl, .12 3.7 3.4 09.11, 2-85,  
 2-93  
 Angle, Mtg, Stl, .12 4.2 2.0 01.41, 2-81  
 Angle, Mtg, Stl, .18 2.2 1.9 03.01, 2-81  
 Angle, Mtg, Stl, .19 3.1 1.8 01.41, 2-81  
 Angle, Mtg, Valve, 2-85, 2-93, 3-11  
 Angle, Protector, Lh, 2-63  
 Angle, Protector, Rh, 2-63  
 Angle, Sppt, Fan, 2-95  
 Arm [Positioning], 2-49  
 Arm Wldt, Alternator, Dsl, 2-33, 2-35  
 Arm Wldt, Lift, Sqge, Lh, 2-79  
 Arm Wldt, Safety, Sppt, Seat, .38d 06.5d,  
 2-15  
 Arm Wldt, Safety, Sppt, Seat, .38d 10.11,  
 2-91  
 Arm Wldt, Sqge, Lift, Rh, 2-75  
 Arm, Alternator, Dsl, 2-33  
 Arm, Cntrl, Pintle, Centering, 2-49  
 Arm, Lever, Brake, 4.1 [Knott], 2-45  
 Arm, Lift, Head [5700], 2-61  
 Arm, Link, 3-9  
 Arm, Pinch, 2-85, 2-93  
 Arm, Pintle, 2-49  
 Arm, Rocker [Ku], 6-12  
 Arm, Sqge, Side, Lh, 2-79  
 Arm, Sqge, Side, Rh, 2-75  
 Armature, Motor [Ku], 6-19  
 Assembly Apparatus, Idle, 5-28  
 Assembly Bolt, Adjusting, 5-28  
 Assembly Camshaft, 5-15  
 Assembly Case, Main Bearing 1, 5-9  
 Assembly Case, Main Bearing 2, 5-9  
 Assembly Case, Main Bearing 3, 5-9  
 Assembly Case, Main Bearing, 5-9  
 Assembly Cock, Drain, 5-3  
 Assembly Connecting Rod, 5-17  
 Assembly Lever, Fork, 5-30  
 Assembly Pipe, Over Flow, 5-23  
 Assembly Piston Ring 05, 5-17  
 Assembly Piston Ring, 5-17  
 Assembly Plate, Control, 5-29  
 Assembly Pump, Injection (See Injection  
 Pump Breakdown), 5-25  
 Assembly Pump, Injection, 5-27  
 Assembly Pump, Water, 5-8  
 Assembly Rocker Arm, 5-12

Assembly Rotor, Oil Pump, 5-7  
 Assembly Seal, Mechanical, 5-8  
 Assembly Shaft, Governor, 5-13  
 Assembly Shaft, R-arm, 5-12  
 Assembly Tappet, 5-27  
 Assy Armature, 5-21  
 Assy Bolt, 5-21  
 Assy Holder, Brush, 5-21  
 Assy Starter, 5-21  
 Assy Switch, Magneto, 5-21  
 Assy Yoke, 5-21  
 Axle, Wand [17b/E], 3-55

**B**

Bag, Power, 3-51, 3-57, 3-59  
 Ball, Cshft [Ku], 6-17  
 Ball, Relief, Oil [Ku], 6-7  
 Ball, 5-7, 5-17, 5-21  
 Band, Pipe, 5-23  
 Bar Wldt, Retainer, Sqge, Rear, 2-69  
 Bar, Flat, Ss, .06 X .50 X 10.01 2/.19sl,  
 2-13  
 Bar, Flat, Stl 0.19, 01.50 X 04.11, 2-43  
 Bar, Flat, Stl 0.38, 01.00 X 03.31, 2-29  
 Bar, Retainer, 3-7  
 Bar, Rnd, Plstc, 0.31d 12.51, 2-81, 2-82  
 Base, Fltr, Oil [Ku], 2-23  
 Battery, Wet, 12vdc 0475cca, 1-1  
 Battery, Wet, 12Vdc 0600Cca, 2-41  
 Bearing [Ku], 6-8  
 Bearing Kit [C], 4-19  
 Bearing, Ball [Ku], 6-13, 6-28  
 Bearing, Ball, 0.79b 1.85d 0.55w, 2-33  
 Bearing, Ball, 0.98b 2.05d 0.59w, 2-51,  
 2-53  
 Bearing, Ball, 1.18b 2.44d 0.63w, 2-45  
 Bearing, Ball, 5-8, 5-13, 5-30  
 Bearing, Case [Ku], 6-9  
 Bearing, Cone, 1.38b 0.71w, 2-43  
 Bearing, Cone, Pump, Hyd, 4-7  
 Bearing, Cshft [Ku], 6-17  
 Bearing, Cshft, -.2mm [Ku], 6-17  
 Bearing, Cshft, Std [Ku], 6-9, 6-17  
 Bearing, Cup, 2.56d 0.55w, 2-43  
 Bearing, Cup, 4-7  
 Bearing, Flng, 2-Hole, 0.50b, 2-17  
 Bearing, Flng, 2hole, 0.50b [Nyl], 2-17  
 Bearing, Pillowblock, 1.02b [Solid Pye],  
 2-47  
 Bearing, Rlr, Cam 52 X 14 X 20, 2-65  
 Bearing, Rod, Connecting [-.2mm, Ku],  
 6-17  
 Bearing, Rod, Connecting [-.4mm, Ku],  
 6-17  
 Bearing, Rod, Connecting, Std [Ku], 6-17  
 Bearing, Self Align, 0.75b 1.25d, 2-55,  
 2-61  
 Bearing, Split, 1.00b, 2-47, 2-63  
 Bearing, Thrust [-.4mm, Ku], 6-17  
 Bearing, Thrust [Ku], 6-17

Bearing, Thrust, 0.53b 1.00d 0.03w, 3-9  
 Bearing, Thrust, 0.75b 1.25d 0.06w, 2-65  
 Bearing, Thrust, Pump, Hyd, 4-7  
 Bearing, Thrust, Std [Ku], 6-17  
 Bearing, Thrust, 4-9, 4-11  
 Bearing, 5-21, 6-19  
 Belt Kit, W/ Installation Tool, 6-28  
 Belt, Ribbed, 38.5l, 1-1  
 Belt, v, 37.0L [3V], 2-33  
 Belt, V, 37.5l [3v], 1-1, 2-33  
 Belt, V, 42.0L [Hc41], 1-1  
 Belt, V, 42.0l [Hc41], 2-35  
 Blade, Sqge, .38 3.55w 038.3l, Ure  
 (Option), 2-73, 2-77  
 Blade, Sqge, .38 3.55w 038.3l, Ure, 1-1  
 Blade, Sqge, 300.8mml, Wand [17b/E, G],  
 3-55  
 Blade, Sqge, 37.08l Linatex, 1-1, 2-73,  
 2-77  
 Blade, Sqge, Front [Linard], 1-1  
 Blade, Sqge, Front, 49.58l Linatex, 2-69  
 Blade, Sqge, Front, 49.58l Ure (Option),  
 2-69  
 Blade, Sqge, Front, 49.59l Pyu, 1-1  
 Blade, Sqge, Rear, 53.78l Pyu, 1-1  
 Blade, Sqge, Rear, 53.78l Ure (Option),  
 2-69  
 Blade, Sqge, Rear, Linatex, 1-1, 2-69  
 Block, Centering, 2-63  
 Bolt [Ku], 6-4, 6-8, 6-11, 6-18, 6-23,  
 6-27, 6-29  
 Bolt, Bearing Case 2, 5-9  
 Bolt, Adjusting, 5-28  
 Bolt, Adjustment Assy [Ku], 6-26  
 Bolt, Bearing Case 1, 5-9  
 Bolt, Carriage, M10 X 1.5 X 70, 2-71  
 Bolt, Connecting Rod, 5-17  
 Bolt, Cylinder Head, 5-5  
 Bolt, Eye, .25-20 X 1.40 X .25 Eye, 2-49  
 Bolt, Eye, M08 X 1.25 X 070mm, 05.50  
 Eye, 2-75, 2-79  
 Bolt, Flng, 6-8  
 Bolt, Flywheel, 5-19  
 Bolt, Hex [Ku], 5-31, 6-13, 6-15, 6-23,  
 6-27, 6-29  
 Bolt, Motor, Hyd, 4-5  
 Bolt, Shld, .31d X 1.00, .25-20, 2-49  
 Bolt, Shld, 1.37d X 5.13l, 1.1-18 Drilled,  
 2-43  
 Bolt, 5-4, 5-5, 5-7, 5-8, 5-9, 5-11, 5-13,  
 5-15, 5-17, 5-19, 5-21, 5-25, 5-28,  
 5-29, 5-30, 6-7, 6-9, 6-11, 6-12,  
 6-19, 6-29  
 Boot, .63id .29l .90w, 2-13  
 Boot, 90deg .50id 1.00id 2.50l, Red, 2-33,  
 2-35  
 Boot, Bellows, 3.1l 4.4w 2.8h 1hole, Neo,  
 2-17  
 Boot, Switch, Ignition, 2-13  
 Bracket Wldt, Arm, Lower Cntrl, 2-61  
 Bracket Wldt, Cooler, Hyd Fluid, 2-113

- Bracket Wldt, Head, Lower, Lh, 2-61
- Bracket Wldt, Head, Lower, Rh, 2-61
- Bracket Wldt, Latch, 2-19
- Bracket Wldt, Mtg [Fast Gen 2+], 3-31
- Bracket Wldt, Mtg [Fast], 3-19
- Bracket Wldt, Mtg, Alternator, Dsl, 2-33, 2-35
- Bracket Wldt, Mtg, Caster, 2-71
- Bracket Wldt, Mtg, Eng, Front, Dsl, 2-23
- Bracket Wldt, Mtg, Eng, Rear, Dsl, 2-23
- Bracket Wldt, Mtg, Side Brush, 3-7
- Bracket Wldt, Mtg, Sqge, 2-71
- Bracket Wldt, Mtg, Tank, 2-9
- Bracket Wldt, Pivot, 2-65
- Bracket Wldt, Propel, Pintle, 2-49
- Bracket Wldt, Steering, Tilt, 2-17
- Bracket Wldt, Tilt, Rh, 2-17
- Bracket, Angle, Sppt, Shield, 2-61
- Bracket, Angle, Stop, 2-65
- Bracket, Axle, 1 Hole [17b/E], 3-55
- Bracket, Axle, 3 Hole [17b/E], 3-55
- Bracket, Clamp, Hose, 2-33
- Bracket, Ftg, Bh, 2-39
- Bracket, Guide, Shrd, 2-21
- Bracket, Keeper, Latch, 2-82
- Bracket, Latch, Cover, 2-21, 2-82, 3-65
- Bracket, Latch, Keeper [Southco], 2-21
- Bracket, Latch, Shrd, Seat, 2-15
- Bracket, Lift, Sqge, 2-71
- Bracket, Mtg [Ecu], 2-29
- Bracket, Mtg [Fast Gen 2+], 3-31
- Bracket, Mtg [Fast], 3-19
- Bracket, Mtg, Air Fltr, Dsl, 2-31
- Bracket, Mtg, Cable, 2-47
- Bracket, Mtg, Coolant Tank, 2-29
- Bracket, Mtg, Cover (Replaced by 9003893), 2-91
- Bracket, Mtg, Cover, Recvy Tank, 2-91
- Bracket, Mtg, Cyl, 2-75, 2-79
- Bracket, Mtg, Detgt And Spray Wand, 3-5
- Bracket, Mtg, Fan, 2-95
- Bracket, Mtg, Fltr, Oil, Remote, 2-23
- Bracket, Mtg, Govnr Control, Dsl, 2-29
- Bracket, Mtg, Insulation, 2-9
- Bracket, Mtg, Latch, Dsl, 2-39
- Bracket, Mtg, Latch, Tank Cover, 2-81, 2-82
- Bracket, Mtg, Lift, Scb Head, 2-55
- Bracket, Mtg, Mirror, Rearview, 3-49
- Bracket, Mtg, Motor, 2-95
- Bracket, Mtg, Prop Rod, 2-91
- Bracket, Mtg, Pump, 3-57, 3-61
- Bracket, Mtg, Rocker Arm [Ku], 6-12
- Bracket, Mtg, Scb Head, Lh, 2-55
- Bracket, Mtg, Scb Head, Rh, 2-55
- Bracket, Mtg, Sensor, 2-49
- Bracket, Mtg, Sheave, Dsl, 2-33
- Bracket, Mtg, Skirt, Door, Brush, 2-73, 2-77
- Bracket, Mtg, Skirt, 2-57
- Bracket, Mtg, Spray Handle, 3-61, 3-63
- Bracket, Mtg, Spray Wand [Fast, Conv], 3-61, 3-63
- Bracket, Mtg, Spring, 2-55
- Bracket, Mtg, Sqge, Disk Head (Disk Scrub Head), 2-7
- Bracket, Mtg, Sqge, 3-7
- Bracket, Mtg, Static Strap, 2-65
- Bracket, Mtg, Strainer, 3-5
- Bracket, Mtg, Tank, 2-81
- Bracket, Mtg, Torque Tube, 2-61
- Bracket, Mtg, Valve, Hyd, Scb, 2-117
- Bracket, Mtg, Valve, 2-87, 3-3
- Bracket, Mtg, Wand, 3-57, 3-59
- Bracket, Mtg, 2-9
- Bracket, Muffler, Hanger, Front, 2-37
- Bracket, Propel, Dsl, 2-49
- Bracket, Protector, Float Switch (Replaced by 9003797), 2-91
- Bracket, Retainer, Pump, 3-31
- Bracket, Retainer, Safety, 2-49
- Bracket, Retainer, Shield, Heat, 2-37
- Bracket, Retainer, Spring, 2-3, 2-5
- Bracket, Retaining, Cover (Replaced by 9003893), 2-91
- Bracket, Retaining, Hose, 2-85, 2-93, 3-65
- Bracket, Rocker Arm, 5-12
- Bracket, Seat, Adj, 2-15
- Bracket, Shield, Heat, 2-21
- Bracket, Sppt, Alternator, Dsl, 2-33, 2-35
- Bracket, Sppt, Cover, Tank, Recvy, 2-91
- Bracket, Sppt, Radiator, Upper, 2-39
- Bracket, Sppt, Revl Light, 3-41, 3-43, 3-45
- Bracket, Sppt, Shield, 2-65
- Bracket, Spring, 2-65
- Bracket, Valve, Sba [M20 And T20], 3-13
- Bracket, Valve, Water, 2-89
- Bracket, Wand, Handle, 3-55
- Bracket, Wand, Valve Mtg, 3-55
- Brake Assy, Drum, Mech, 07.0d 1.2w, 2-45
- Brkt, Ftg, 2-59
- Brush Assy, Disk, Scb, 14.0 D, Polypropylene, 2-3
- Brush Assy, Disk, Scb, 14.0 D, Soft Nylon, 2-3
- Brush Assy, Disk, Scb, 14.0d, Super Abrasive, 2-3
- Brush Assy, Disk, Scb, 16.0D, Nyl, 2-5
- Brush Assy, Disk, Scg, 16.0 D, Polypropylene, 2-5
- Brush Assy, Disk, Scg, 16.0 D, Super Abrasive, 2-5
- Brush Assy, Disk, Swp, 24.oD, Polypropylene, 2-5
- Brush, Power Wand, W/ Fastener, Abr, 3-55
- Brush, Power Wand, W/ Fastener, Pyp, 3-55
- Brush, Swp / Scb, 40l, Heavy Duty Polypropylene, 2-3
- Brush, Swp / Scb, 40l, Polyester, 2-3
- Brush, Swp / Scb, 40l, Polypropylene, 2-3
- Brush, Swp / Scb, 40l, Super Abrasive, 2-3
- Brushholder, 6-19
- Bumper Kit, Hd, Ci [T20], 3-68
- Bumper Wldt, Brush, Side, 3-7
- Bumper Wldt, Rear (Replaced by 9003679), 2-7
- Bumper Wldt, Rear, 2-7
- Bumper, Rbr, 0.5d 0.16t M5 X 08, 2-49
- Bumper, Rbr, 0.6d 0.34t .3d Tip, 2-113
- Bumper, Rbr, 1.00d 0.38th M8x1.25, 2-61
- Bumper, Sqge, 2-69
- Bumper, Ure, 1.50d 1.25l, 3-67
- Bush, Governor Gear, 5-3
- Bush, Idle Gear, 5-15
- Bush, Piston Pin, 5-17
- Bushing, Eccentric, Adj, 2-85, 2-93
- Bushing, Flng, 0.32b 0.50d 0.24l, Bnz, 2-71
- Bushing, Flng, 0.50b 0.59d 0.38l, 2-85, 2-93
- Bushing, Flng, 0.63b 0.75d 0.38l, 2-71, 2-73, 2-77
- Bushing, Flng, 1.50b 1.65d 1.00l, 2-59
- Bushing, Gear, Gov [Ku], 6-3
- Bushing, Gear, Idler [Ku], 6-15
- Bushing, Pin, Piston [Ku]16241-21351, 6-17
- Bushing, Sleeve, 0.37b 0.50d 0.50l, Oib, 2-47
- Bushing, Sleeve, 0.50b 0.59d 0.50l, Bnz, 3-9
- Bushing, Sleeve, 0.62b 0.72d 0.50l, Fgl, 2-71
- Bushing, Sleeve, 0.63b 0.72d 0.38l, 2-75, 2-79
- Bushing, Sleeve, 0.75b 0.88d 0.25l, 2-85, 2-93
- Bushing, Sleeve, 0.78b 0.86d 0.93l, Bnz, 2-45
- Bushing, Sleeve, 1.00b 1.13d 1.50l, Fgl, 3-9
- Button, Cntrl, Horn, 2-17
- Bypass Valve Kit, Pump, Repair,, 4-21

**C**

- Cable, 06ga 16.0l Red .38ring /.38ring, 2-33, 2-35
- Cable, Battery, 02ga 48.0l Red .41ring, 2-41
- Cable, Battery, 02ga 60.0l Blk .41ring, 2-41
- Cable, Glv .06d 012.0l .26eye /.26eye, 3-67
- Cable, Glv .09d 016.5l .38eye /.38eye, 2-19
- Cable, Glv .13d 015.8l .50eye /.50eye, 2-75, 2-79
- Cable, Push / Pull, 063.0l 4.0, .31-24, 2-47
- Cable, Push / Pull, 098.0l .25-28/.25-28, 2-49
- Cable, Ss .12d 013.3l .2clevis /.2clevis, 2-63
- Cam, Centering, Pintle, 2-49
- Cam, Fuel, 5-13
- Cam, Plt, Brake [Nickel], 2-45
- Cam, Rear, 2-69

## CROSS REFERENCE

- Cam, 2-69  
Camshaft, Fuel, 5-13  
Camshaft, 6-13  
Cap Assy, Tank, Drain, 2-91, 4-3  
Cap Screw Cl, 4-9  
Cap Screw, 4-8  
Cap, Breather, Hyd, 2.4 Ds, 2-115  
Cap, End, Valve, Steering, 4-19  
Cap, Filler, Oil [Ku], 6-7, 6-10  
Cap, Fuel, Tank, 2-27  
Cap, Hub, Dust 2.57d 0.77l, 2-45  
Cap, Radiator, 15psi, 2-39  
Cap, Rbr, 0.50id 1.18l Blk, 2-89  
Cap, Screw, Idler [Ku], 6-26  
Cap, Sealing, 5-3, 5-5, 6-5  
Cap, Tank, Fuel, 2.3neck 2.6d, 2-27  
Cap, Tank, 3-5  
Cap, Valve [Ku], 6-12  
Cap, Valve, 5-12  
Cap, 5-28  
Cartridge, Psi Cntrl, Valve, Hyd, 4-13, 4-15, 4-17  
Case, Main, Brg Assy, 6-9  
Caster, Pivot, 2-71  
Catch, Latch, Tank Cover, 2-81, 2-82  
Channel Wldt, Guard, Sqge, 3-67  
Channel Wldt, Pivot, 3-9  
Channel, Shield, Muffler [M20/T20 2007], 2-37  
Channel, Sppt, Tank, 2-81  
Chech Valve Kit, Pump, Repair,, 4-21  
Cir-clip, External, 5-12, 5-30  
Cir-clip, Governor Shaft, 5-13  
Cir-clip, Idle Gear, 5-15  
Cir-clip, Piston Pin, 5-17  
Clamp [Kubota], 6-8  
Clamp Wldt, Front, 2-69  
Clamp Wldt, Rear, 2-69  
Clamp, Cable, Ss, 1.12d X 0.38w, 1h, 2-87  
Clamp, Cable, Ss, 2.50d X 1.00w, 1h, 2-9  
Clamp, Cable, Stl, 0.25D X 0.56W, 1Hole, 3-43, 3-45  
Clamp, Cable, Stl, 0.44d X 0.62w, 1h, 2-113  
Clamp, Cable, Stl, 0.69d X 0.62w, 1h, 2-39, 2-49, 2-91  
Clamp, Cable, Stl, 1.00d X 0.75w, 1h, 2-29, 2-31  
Clamp, Cable, Stl, 1.50d X 1.00w, 1h, 2-9, 2-39, 2-41, 2-113, 3-19  
Clamp, Cable, Stl, 1.50d X 1.00w, 1hole, 2-7  
Clamp, Hose, Ear, 11-13mm, Ss, 3-53  
Clamp, Hose, Ear, 8-11mm, Ss, 3-55  
Clamp, Hose, Heater [Ku], 5-31, 6-29  
Clamp, Hose, Plstc .351-.394 Id, 3-19  
Clamp, Hose, Wormdrive, 0.25-0.62d, .31w, 2-39, 2-89, 3-3, 3-5, 3-31  
Clamp, Hose, Wormdrive, 0.31-0.88d, .31w, 2-27, 2-29, 2-41, 2-89, 3-11, 3-17, 3-21, 3-23, 3-25, 3-27, 3-31, 3-33, 3-35, 3-37, 3-39, 3-57, 3-59, 3-61  
Clamp, Hose, Wormdrive, 0.56-1.06d, .56w, 2-23, 2-87, 2-89, 3-3, 3-5, 3-11, 3-21, 3-23, 3-33, 3-35, 3-37, 3-57, 3-61, 3-63  
Clamp, Hose, Wormdrive, 0.81-1.50d, .50w (Disk Scrub Head), 2-7  
Clamp, Hose, Wormdrive, 0.81-1.50d, .50w, 2-39, 2-67  
Clamp, Hose, Wormdrive, 1.06-2.00d, .56w, 2-37, 2-39, 3-51  
Clamp, Hose, Wormdrive, 1.81-2.75d, .50w, 2-31  
Clamp, Hose, Wormdrive, 2.50-3.50d, .50w, 2-85, 2-93  
Clamp, Hose, Wormdrive, 3.56-4.50D, .50W, 2-95  
Clamp, Hose, Wormdrive, 3.56-4.50d, .50w, 2-85, 2-93  
Clamp, Hose, Wormdrive, 3.75-4.62d, .62w, 2-95  
Clamp, Hose, 5-10, 6-10  
Clamp, Hyd, 0.50d, 2-51, 2-53  
Clamp, Mtg, Fitr, Air, 2-31  
Clamp, Muffler, 1.62d, 2-37  
Clamp, Pipe 1, 5-23  
Clamp, Pipe 2, 5-23  
Clamp, Pipe, 6-20  
Clamp, Tube, Inj, Pipe #1 [Ku], 6-20  
Clevis, Adj, 0.25 Pin, 0.25-28 Rh, Pl, 2-47  
Clevis, Adj, 0.25pin, 0.25-28left Pl, 2-47  
Clevis, Adj, 0.31pin, 0.31-24, 2-47  
Clip, .250h, Plstc [Pine-Tree], 2-21, 2-65, 2-73, 2-77  
Clip, .250h, Plstc [Pine-tree], 2-57  
Clip, Grip, Finger, .875-1.25, 3-61, 3-63  
Clip, Grip, Finger, 1.00-1.88d White,Vyl, 3-51, 3-57, 3-59  
Clip, Retainer, .25d, 2-65  
Clip, Wiper, 2-65  
Clutch, Over Running, 5-21  
Clutch, 6-19  
Collar 1, 5-30  
Collar, Crank, Front [Ku], 6-17  
Collar, Crankshaft, 5-17  
Collar, Gear [Ku], 6-15  
Collar, Govnr [Ku], 6-28  
Collar, Idle Gear 1, 5-15  
Collar, Idle Gear 2, 5-15  
Collar, Split, 1.50b .50w 2/Bolt, 2-59  
Collet, Valve Spring, 5-12  
Column, Pump, Water, 4-3  
Column, Steering, 09.9l 0.86d 36tooth, 2-17  
Comp Idle Gear 1, 5-15  
Comp. Case, Gear, 5-7  
Comp. Crankshaft, 5-17  
Comp. Flywheel, 5-19  
Comp. Lever, Fork 1, 5-30  
Comp. Lever, Governor, 5-29  
Comp. Oil Pan (Rear Sump), 5-4  
Comp. Weight, Governor, 5-13  
Complete Pump Kit, Pump, Repair,, 4-21  
Connector, Fem, 02cav, Mp280 Sealed, 4-21  
Control, Fuel, 6-25  
Control, Govnr [All Purpose], 2-29  
Cooler, Hyd, 25gpm 325btu Of12 13x12x2, 2-113  
Cord, Ele, Glowplug, 6-20  
Cord, Glow Plug, 5-23  
Coupler, Pump, 4-7  
Coupling, Drive, Flex, 09.5d / 13tooth, 2-23  
Coupling, Hose, 2-7  
Coupling, Nozzle, Spray, 3-61, 3-63  
Coupling, Tube, Vacuum, 2-67  
Cover Assy, Head, Cyl, 5-10  
Cover Kit, Soltn Tank, Rh [M20 & T20], 2-81  
Cover Kit, Tank, Recvy, Replmt [T20], 2-91  
Cover Kit, Tank, Soltn, Lh, Replmt, Ce (Japan and CE Only), 2-82  
Cover Kit, Tank, Soltn, Lh, Replmt, 2-82  
Cover Kit, Tank, Soltn, Rh, Replmt, Ce (Japan and CE Only), 2-81  
Cover Wldt [Fast], 3-19  
Cover, Bearing Case, 5-9  
Cover, Breather, 5-10, 6-10  
Cover, Brg Case, Eng [Ku], 6-9  
Cover, Cyl Head Assy [Ku], 6-10  
Cover, End, 4-7  
Cover, Fork Lever Shaft, 5-30  
Cover, Fuse, Block, 2-41  
Cover, Hole, Pump [Ku], 6-23  
Cover, Hole, Pump, Fuel [Ku], 6-23  
Cover, Lever, Gov [Ku], 6-28  
Cover, Oil Pump, 5-7  
Cover, Pump, Oil, 6-7  
Cover, Solenoid [Ku], 6-23  
Cover, Tank, Soltn, Lh, Trimmed, Ce (Japan and CE Only), 2-82  
Cover, Tank, Soltn, Lh, Trimmed, 2-82  
Cover, Tank, Soltn, Rh, Trimmed, Ce (Japan and CE Only), 2-81  
Cover, Tank, Soltn, Rh, Trimmed, 2-81  
Cover, Tank, 2-91  
Cover, 5-7, 5-21, 5-28, 6-7, 6-19  
Crank Kit, Pump, F/79323, Replmt, 4-20  
Crankcase, Comp [Ku], 6-7  
Crankcase, Complt [Ku], 6-3  
Crankcase, Complt, 5-3  
Crankshaft Assy, 6-15  
Crankshaft, Metal [Ku], 6-9  
Crankshaft, 6-17  
Crossmember Wldt, Lift, 2-71  
Crossmember Wldt, Sqge (Disk Scrub Head), 2-7  
Cuff, Swivel, 1.5 Blk, 3-53  
Cup Holder, Rwk, 2-13  
Cylinder, Hyd, 1.5b 07.8l 02.75strk 2500, 3-9

Cylinder, Hyd, 1.5b 07.8l 02.80strk 2500, 2-55, 2-75, 2-79, 3-9  
 Cylinder, Hyd, 1.5b,07.8l,02.80strk,2500, 2-61, 2-63  
 Cylinder, Hyd, 2.0b,15.2l,09.00strk,3000, 2-43

**D**

Detergent Pkg, 4 Liter, Sgl [Tco 665], 3-19  
 Device, Centering, Clip On, Tl [Gf Pp], 2-3  
 Diaphragm Kit, Pump, Repair,, 4-21  
 Diode, Ele, Plug, 2-41  
 Dipstick, Oil [Ku], 6-4  
 Disk, Driver, Pad, W/ Face, 14.0d, 2-3  
 Door Wldt, Brush, Idler, 2-51, 2-53  
 Door Wldt, Brush, Lh, 2-79  
 Door Wldt, Brush, Rh, 2-75  
 Door Wldt, Brush, 2-51, 2-53  
 Drive [C], 4-9  
 Drive, Motor, Hyd, 4-5  
 Drive, 4-8, 4-11  
 Driver Assy, Pad, 14 D, Brush, 2-3  
 Driver Assy, Pad, 14.0d, 2-3  
 Drum, Cable, Lift, 2-63

**E**

Ear, Lifting, Eng [Ku], 6-5  
 Element, Fltr, Air [Dn], 1-1, 2-31  
 Element, Fltr, Air, Safety (Option), 2-31  
 Element, Fltr, Fuel [Dn], 1-1, 2-29  
 Element, Fltr, Oil, Eng, Spin-On, 1-1  
 Element, Fltr, Oil, Spin-On [Ku], 1-1  
 Element, Fltr, Oil, Spin-On, 2-24  
 End Cap, Motor, Hyd [En], 4-9, 4-11  
 End Cap, 4-8  
 Engine Assy, Dsl, 37Hp [Ku V1505] (See Engine Breakdown), 2-23  
 Engine Assy, Dsl, 37hp [Ku] (See Engine Breakdown), 2-23  
 Extinguisher Kit, Fire, Ci [M20 And T20], 3-69  
 Extinguisher, Fire, 2.5 Lb Dry, 3-69  
 Eye, Joint [Ku], 6-23

**F**

Fan Kit, Scrub, Replmt [M20/T20], 2-95  
 Fan, Cooling, 14.1d, 6 Blade, 0.5b Taper, 2-33, 2-35  
 Fast 665 4 Ltr, Detergent, 3-31  
 Fast Kit, Ci, Injector Filters[Fast li+], 4-22  
 FaST Kit, Ci, Injector Rebuild[FaST II+], 4-22  
 Fast Kit, Ci, Injector Seals [Fast li+], 4-22  
 FaST Kit, Injector, Ci[M20/M30 FaST II+], 4-22  
 Fast Kit, Injector, Ci[M20/M30 FaST II+], 3-31  
 Fastener, 12.7Mm X 9.5Mm, Ss [Staple], 2-19

Filter Assy [Pt4 936498], 1-1, 2-115  
 Filter Assy, Air, Mold, Ure, 3-19  
 Filter Assy, Air, 2-31  
 Filter Assy, Fuel, Dsl, 2-29  
 Filter, Foam, Rbr, 1.20d, 1.0l, 3-21, 3-23, 3-25, 3-27  
 Filter, In-Line, Pf06/Pf06 080mesh 02.6l, 3-31  
 Filter, In-Line, Pf06/Pf06, 80 Mesh, 3-17  
 Filter, Oil [Ku], 6-4  
 Filter, Soltn, 020mesh, Pm12 3.2d 08.0l, 3-5  
 Filter, Soltn, 20mesh, Pm12 3.1d 02.6l, 1-1, 2-82  
 Fitting Assy, Orifice, 0.070b, Pf04/Pf04, 3-17  
 Fitting Assy, Orifice, 0.093b, Pf04/Pf04, 3-17  
 Fitting Kit, Hose, Garden, 3-3  
 Fitting Spray Nozzle Adapter, 3-55  
 Fitting, Alm, Str, Bm24/Bm48, 3-51, 3-53  
 Fitting, Brs, E45, Pf02/Pm02, 2-23  
 Fitting, Brs, E90, Bm08/Pm04, 3-17  
 Fitting, Brs, E90, Cf03/Pf02, 3-19  
 Fitting, Brs, E90, Em05/Pm02, 2-29  
 Fitting, Brs, E90, Em05/Pm04, 2-27  
 Fitting, Brs, E90, Pm02/Bm03, 2-27, 3-5  
 Fitting, Brs, Qdc, Bm04/Pf04, 3-53  
 Fitting, Brs, Qdc, Bm12/Qf08, 3-3  
 Fitting, Brs, Qdc, Pf08 [Parker Bh3f], 3-3  
 Fitting, Brs, Qdc, Pm04, Plug, 3-55  
 Fitting, Brs, Qdc, Pm04/Qf06, 3-57, 3-59  
 Fitting, Brs, Spcl [Garden Hose], 3-61, 3-63  
 Fitting, Brs, Str, Bm04/Pm02, 3-19  
 Fitting, Brs, Str, Bm08/Pm04, 3-17  
 Fitting, Brs, Str, If05/Pm04, 2-29  
 Fitting, Brs, Str, Pf02/Pm04, 3-17  
 Fitting, Brs, Str, Pf04/Pf04, Bh, 3-57, 3-59  
 Fitting, Brs, Str, Pf04/Pm06, 2-39  
 Fitting, Brs, Str, Pf06/Pf06 Bh, 3-61, 3-63  
 Fitting, Brs, Str, Pf06/Pm12, 3-61, 3-63  
 Fitting, Brs, Str, Pm02, Plug [SKhd], 3-55  
 Fitting, Brs, Str, Pm04/Pm04, 3-17  
 Fitting, Brs, Str, Pm08/Garden Hose, 3-61, 3-63  
 Fitting, Brs, Tee, Pf04/Pf04/Pf04, 3-17  
 Fitting, Brs, Tee, Pm04/Pf04/Pf04, Run, 3-31  
 Fitting, Brs, Tip [75, .125k-Jet], 3-55  
 Fitting, Draincock [Ku], 6-3  
 Fitting, Draincock, E90, .25npt, 2-39  
 Fitting, E, Gr, 4-3  
 Fitting, Fltr, Oil [Ku], 6-7  
 Fitting, Fuel [Ku], 6-20  
 Fitting, Grease, Str Pm04 .47L, 2-59  
 Fitting, Grease, Str Pm04 .47l, 2-55, 2-61, 2-71  
 Fitting, Grease, Str Pm04 .63l, 2-43  
 Fitting, Hyd, Cap, Jf06, 2-113  
 Fitting, Hyd, Cap, Jf08, 3-13  
 Fitting, Hyd, E45, Jf10/Jm10, 2-101  
 Fitting, Hyd, E45, Jm04/Om04, 3-13

Fitting, Hyd, E45, Jm04/Om06, 2-43  
 Fitting, Hyd, E45, Jm06/Om04, 2-95  
 Fitting, Hyd, E45, Jm06/Om06, 2-43  
 Fitting, Hyd, E45, Jm08/Om08, 2-95, 2-117, 3-13  
 Fitting, Hyd, E45, Jm08/Om10, 2-111  
 Fitting, Hyd, E45, Jm10/Om12, 2-43  
 Fitting, Hyd, E45, Jm12/Om16, 2-115  
 Fitting, Hyd, E45, Jm20/Om20, 2-115  
 Fitting, Hyd, E90, Jf04/Jm04, 2-117, 3-13  
 Fitting, Hyd, E90, Jf06/Jm06, 3-13  
 Fitting, Hyd, E90, Jf08/Jm08, 2-17  
 Fitting, Hyd, E90, Jm04/Om04, 2-59, 2-63, 2-75, 2-79, 2-117, 3-9  
 Fitting, Hyd, E90, Jm04/Pm02, 2-115  
 Fitting, Hyd, E90, Jm06/Om04, 2-55, 2-61, 3-9  
 Fitting, Hyd, E90, Jm06/Om06, L, 2-117  
 Fitting, Hyd, E90, Jm06/Om06, 2-17, 2-117, 3-13  
 Fitting, Hyd, E90, Jm06/Om08, 2-111  
 Fitting, Hyd, E90, Jm08/Om08, L, 2-59, 2-117  
 Fitting, Hyd, E90, Jm08/Om08, 2-51, 2-53, 2-59, 2-111, 2-117, 3-13  
 Fitting, Hyd, E90, Jm08/Om10, 2-111, 3-7  
 Fitting, Hyd, E90, Jm08/Om16 Metric, 2-23  
 Fitting, Hyd, E90, Jm08/Pm08, 2-23  
 Fitting, Hyd, E90, Jm10/Om12, 2-111  
 Fitting, Hyd, E90, Jm12/Om12, L, 2-113  
 Fitting, Hyd, E90, Jm12/Om12, 2-113  
 Fitting, Hyd, E90, Om04/Qm04, 2-117, 3-13  
 Fitting, Hyd, Plug, Jm08, 2-23  
 Fitting, Hyd, Plug, Om04, 4-11, 4-15  
 Fitting, Hyd, Plug, Om06 (Cylindrical Scrub Head), 2-115  
 Fitting, Hyd, Plug, Om06, 2-115, 2-117  
 Fitting, Hyd, Plug, Om08, 4-7, 4-15  
 Fitting, Hyd, Plug, Om10, 2-115  
 Fitting, Hyd, Rst, Spcl, 2-75, 2-79  
 Fitting, Hyd, Str, Jf04/Qm04, 2-117, 3-13  
 Fitting, Hyd, Str, Jm04/Om04, 2-51, 2-117, 3-13  
 Fitting, Hyd, Str, Jm04/Om06 (Disk Scrub Head), 2-115  
 Fitting, Hyd, Str, Jm04/Om06, 3-13  
 Fitting, Hyd, Str, Jm06/Om06, L, 2-17  
 Fitting, Hyd, Str, Jm06/Om06, 2-17, 2-115, 3-13, 3-15  
 Fitting, Hyd, Str, Jm08/Om06, 2-17  
 Fitting, Hyd, Str, Jm08/Om08, 2-59, 2-111, 2-115, 3-13  
 Fitting, Hyd, Str, Jm08/Om10, 3-7  
 Fitting, Hyd, Str, Jm08/Pm08, 2-23  
 Fitting, Hyd, Str, Jm10/Om10, 2-117  
 Fitting, Hyd, Str, Jm10/Om12, 2-43  
 Fitting, Hyd, Str, Jm20/Om16, 2-111  
 Fitting, Hyd, Str, Metric, Om10/If05, 2-29  
 Fitting, Hyd, Str, Om04/Qm04, 2-117, 3-13  
 Fitting, Hyd, Str, Pf02/Pm04, 2-27, 2-29  
 Fitting, Hyd, Str, Pm02/Pm02, 2-29  
 Fitting, Hyd, Str, Spcl, 2-23

## CROSS REFERENCE

- Fitting, Hyd, Tee, Jm04/Jm04/Om04, Run, 2-59  
Fitting, Hyd, Tee, Jm08/Jm08/Om08, Br, 2-95, 2-117  
Fitting, Nyl, Qdc, E90, Bm08/ Qm10, 3-31  
Fitting, Nyl, Str, Bm04/Pm04, 3-55  
Fitting, NylY, Qdc, E90, Bm06/ Qm10, 3-31  
Fitting, Pipe, E90, Pf02/Pm02, 3-19  
Fitting, Pipe, Plug [Ku], 5-31, 6-3, 6-5, 6-7, 6-29  
Fitting, Pipe, Plug, Pm02, Sq Head, 2-27  
Fitting, Pipe, Plug, Pm08, Sq Head, 2-87  
Fitting, Pipe, Water [Ku], 5-8, 5-31, 6-8  
Fitting, Plstc, Body, Spray, Pf04, 3-17  
Fitting, Plstc, Cap, Pf12 Hex, 2-87  
Fitting, Plstc, Cap, Spray, Pf04, 3-17  
Fitting, Plstc, E90, Bm04/Pm02, 3-55  
Fitting, Plstc, E90, Bm06/Pm06, 3-5  
Fitting, Plstc, E90, Bm06/Pm04, Nyl, 3-31  
Fitting, Plstc, E90, Bm06/Pm12, Nyl, 3-3  
Fitting, Plstc, E90, Bm08/Bm08, 2-89  
Fitting, Plstc, E90, Bm08/Pf08s, Swivel, 3-17, 3-57, 3-61  
Fitting, Plstc, E90, Bm08/Pm06, 3-61, 3-63  
Fitting, Plstc, E90, Bm08/Pm12, Nyl, 3-17, 3-21, 3-23, 3-25, 3-27, 3-31  
Fitting, Plstc, E90, Bm12/Pf12, 3-5  
Fitting, Plstc, E90, Bm12/Pm08, 3-3  
Fitting, Plstc, E90, Bm12/Pm12, 3-3, 3-5, 3-17, 3-31  
Fitting, Plstc, E90, Pf Bm [Es Pump], 4-3  
Fitting, Plstc, E90, Pf12/Pm12, 2-81  
Fitting, Plstc, Pf12/Pf12, Bh, 2-81, 3-3  
Fitting, Plstc, Pipe, Cap, Pf04, 3-19, 3-31  
Fitting, Plstc, Rst, .50od /.13id, 3-23  
Fitting, Plstc, Str, Bm04, Cplg, Fem, 3-19, 3-31  
Fitting, Plstc, Str, Bm06/Pm04, 3-31  
Fitting, Plstc, Str, Bm06/Pm06, 3-31  
Fitting, Plstc, Str, Bm08/Pm04, 3-57, 3-59  
Fitting, Plstc, Str, Bm08/Pm06, 3-17  
Fitting, Plstc, Str, Bm08/Pm12, 3-21, 3-23, 3-25, 3-27  
Fitting, Plstc, Str, Bm12/Bm12, 2-87  
Fitting, Plstc, Str, Bm12/Pm08, Nyl, 3-3, 4-3  
Fitting, Plstc, Str, Bm12/Pm12, 2-87, 2-89  
Fitting, Plstc, Str, Pm04, Cplg, Mal, 3-19, 3-31  
Fitting, Plstc, Str, Pm08/Pm08, 3-3  
Fitting, Plstc, Str, Pm12/Pm12 1.60l, 3-3, 3-17, 3-31  
Fitting, Plstc, Tee, Bm04/Bm04/Bm04, 3-31  
Fitting, Plstc, Tee, Bm04/Bm08/Bm08, Br, 3-17  
Fitting, Plstc, Tee, Bm08/Bm08/Bm08, 3-17, 3-27, 3-39  
Fitting, Plstc, Tee, Bm08/Bm12/Bm12, Br, 3-21, 3-23, 3-33, 3-57, 3-61  
Fitting, Plstc, Tee, Bm12/Bm12/Bm12, 2-87, 3-11  
Fitting, Plstc, Tee, Pf08/Pf08/Pf08, 3-3  
Fitting, Plstc, Tee, Pf12/Pf12/Pf12, 3-3, 3-17, 3-31  
Fitting, Plstc, Y, Bm08/Bm08/Bm08, Nyl, 3-23, 3-27, 3-31, 3-35, 3-39, 3-59, 3-63  
Fitting, Plug [Ku], 6-3  
Fitting, Plug, Org, #6, Valve [Cec], 4-13, 4-15, 4-17  
Fitting, Stl, Qdc, Bm04, 3-53  
Flange Mounting, 4-8  
Flange, Motor, Hyd [En], 4-9  
Flange, Pump, Water [Ku], 5-8, 6-8  
Flange, Sleeve [Ku], 6-25  
Flange, Sleeve, 5-27  
Flange, Water [Ku], 5-31, 6-29  
Flange, 4-11  
Flap, Battery, 2-13  
Flapper, Valve, Pump, Water, 4-3  
Flywheel, 6-18  
Follower, Screw, Pump, Injection[Ku], 6-23, 6-25  
Frame Wldt, Hppr, 2-65  
Frame Wldt, Main, Replmt [M20 & T20], 2-7  
Frame Wldt, Sqge, Lh, 2-77  
Frame Wldt, Sqge, Rh, 2-73  
Frame Wldt, Sqge, Side Brush, 3-7  
Frame, Drive End, 5-21  
Frame, End, Drive, 6-19  
Frame, End, 5-21, 6-19  
Fuel Pump Cover Plate, 5-25  
Fuelline, .31d 04.0l 05if/05if, Stl, 2-29  
Fuse, 015a, 2-41
- G**
- Gasket [Ku], 6-11, 6-20, 6-26  
Gasket Ku, 5-11  
Gasket Set, Lower, 5-4  
Gasket Set, Upper, 5-5, 6-5  
Gasket Set, 6-4  
Gasket, .25 1.88d 1.0id [Poron], 4-3  
Gasket, 3.23ld 3.63Od .16Th, Ure, 2-91  
Gasket, 4.05ld 5.29Od .19 [Buna], 4-3  
Gasket, Bearing Case Cover, 5-9  
Gasket, Bearing Case, 5-9  
Gasket, Bearing, Case [Ku], 6-9  
Gasket, Case, Gear [Ku], 6-7, 6-9  
Gasket, Cover, Fuse Block, 2-41  
Gasket, Cover, Gov [Ku], 6-28  
Gasket, Cover, Head, Cyl [Ku], 6-10  
Gasket, Cover, Spd [Ku], 6-27  
Gasket, Cyclinder Head, 5-5  
Gasket, Delivery Valve, 5-27  
Gasket, Ex-manifold, 5-11  
Gasket, F/ Bolt [Ku], 6-10, 6-20, 6-26, 6-27  
Gasket, F/ Screw [Ku], 6-23, 6-25  
Gasket, Fig, Banjo [Ku], 6-23, 6-25  
Gasket, Fuel Pump, 5-25  
Gasket, Gear Case, 5-7  
Gasket, Head Cover, 5-10  
Gasket, Head, Cyl [Ku], 6-5  
Gasket, Hsg, Thermostat [Ku], 5-31, 6-29  
Gasket, Lid, 2-91  
Gasket, Manifold, Exhaust, 6-11  
Gasket, Manifold, Intake [Ku], 5-11  
Gasket, Manifold, Intake [Ku], 6-11  
Gasket, Oil Pan, 5-4  
Gasket, Pan, Oil, 6-4  
Gasket, Plt, Hose, Vacuum, 2-95  
Gasket, Pump, Fuel [Ku], 6-23  
Gasket, Pump, Water [Ku], 6-8  
Gasket, Sender, Fuel, 2-27  
Gasket, Solenoid, Throttle [Ku], 2-23, 6-23  
Gasket, Sqge, 1-1, 2-69  
Gasket, Tank, Recvy, 2-91  
Gasket, Thrtl Blk, 5-28  
Gasket, Valve, Injector [Ku], 6-25  
Gasket, Water Pump, 5-8  
Gasket, 5-3, 5-4, 5-10, 5-23, 5-27, 5-28, 5-29, 5-30, 5-31, 6-3, 6-29  
Gasspring, 180lb, 03.0strk, 2-15  
Gauge, Oil [Ku], 6-4  
Gauge, Oil, 5-4  
Gauge, Sensing, Level, 2-115  
Gear, Camshaft [Ku], 6-15  
Gear, Camshaft, 5-15  
Gear, Crankshaft, 5-17  
Gear, Cshft [Ku], 6-17  
Gear, Governor, 5-13  
Gear, Govnr [Ku], 6-13  
Gear, Idler, Cam [Ku], 6-15  
Gear, Injection Pump, 5-13  
Gear, Injection, Pump [Ku], 6-13  
Gear, Oil Pump Drive, 5-17  
Gear, Pump, Oil [Ku], 6-17  
Gear, Ring [Ku], 6-18  
Gear, Ring, 5-19  
Gear, 5-21, 6-19  
Geroler, Motor, Hyd, 4-5  
Gerotor Set [Ci], 4-9  
Gerotor Set, 4-8  
Gerotor, Motor, Hyd, 4-11  
Glowplug [Ku], 6-20  
Grill Wldt, Front, 2-19  
Grill, Eng, 2-21  
Grill, Side, 2-15  
Grip, Handle, .50d 4.0l Yel, 2-65  
Grip, Handle, 1.0d 1.5l Blk (Disk Scrub Head), 2-7  
Grip, Handle, 1.25D 1.50L Blk, 2-7  
Grip, Handle, 2-85, 2-93  
Grommet, 0.38id, F/0.6h, .06 Matl, 3-55  
Grommet, Pye, 0.37id, F/1.5h, .13 Matl, 3-5  
Grommet, Rbr, 0.50id, F/0.8h, .12 Matl, 3-46, 3-47, 3-49  
Grommet, Rbr, 0.62id, F/0.9h, .12 Matl, 3-5  
Grommet, Rbr, 2.13id, F/2.5h, .12 Matl, 3-17, 3-31  
Guard Kit, Sqge, Ci [T20], 3-67  
Guard Wldt, Brush, Side, 3-11  
Guard Wldt, Sqge Rep.BY1039069, 3-67

Guard Wldt, Sqge [M20/T20 LH, M30 RH], 3-67  
 Guard Wldt, Sqge [M20/T20 RH, M30 LH], 3-67  
 Guard Wldt, Sqge [M20/T20/M30], 3-67  
 Guard Wldt, Sqge, Rear, Pntd, 3-67  
 Guard Wldt, Switch, Float, 2-91  
 Guard Wldt, Top, Ohg, 3-49  
 Guide Assy, Oil Gauge, 5-4  
 Guide, Exhaust Valve, 5-5  
 Guide, Inlet Valve, 5-5  
 Guide, Rlr, 2-65  
 Guide, Valve, Exhaust, 6-5  
 Guide, Valve, Inlet, 6-5

**H**

Handle Wldt, Drain, 2-91  
 Handle Wldt, T, Hppr, 2-67  
 Handle Wldt, Wand, 3-55  
 Handle, Valve, Pinch, Lh, 2-93  
 Handle, Valve, Pinch, Rh, 2-85  
 Harness [Fast, M20 And T20], 3-29  
 Harness, Engine, Dsl [M20 T20], 2-139  
 Harness, Headlight [M20 And T20], 2-139  
 Harness, Main [T20], 2-139  
 Harness, Spray, Nozzle, 3-57, 3-61  
 Harness, Warning / Backup [M20 & T20], 3-41, 3-43, 3-45  
 Harness, Warning / Ohg [M20], 3-46, 3-47  
 Harness, Wire [Fast Gen 2], 3-40  
 Head Wldt, Disk, Replmt, Jp (Japn Only), 2-59  
 Head Wldt, Disk, Std, Replmt, 2-59  
 Head, Cyl, W/O Valves, 5-5  
 Head, Cyl, 5-5  
 Head, Cylinder [Ku], 6-5  
 Head, Wand [17b/E], 3-55  
 Headlight, 12vdc, 27watt, 2.1a, Oval, 2-7  
 Hinge Wldt, Door, 2-15, 2-21  
 Hinge Wldt, Shrd, Lh, 2-21  
 Hinge Wldt, Shrd, Rh, 2-15  
 Hinge, .38pin .11 3.5w 06.0l 6/0.38sl, 2-19  
 Hinge, .50pin .19 4.0w 06.0l 3/0.44sl, 2-75, 2-79  
 Holder, Delivery Valve, 5-27  
 Holder, Gear [Ku], 6-13  
 Holder, Governor Gear, 5-13  
 Holder, Govnr [Ku], 6-13  
 Holder, Valve, Inj [Ku], 6-25  
 Holder,, 5-13  
 Hook, Engine 1, 5-5  
 Hook, Engine 2, 5-5  
 Horn, 12vdc, DbA [Wolo], 2-41  
 Hose Assy, Sqq, 2-91  
 Hose Assy, W/1cuff, 1.0d, 030l 1.25/, 2-67  
 Hose Assy, W/2cuff, 1.5d 90l 1.5/1.5, 3-51  
 Hose Assy, W/2cuff, 3.0d 14l 3.0/3.0, 2-69  
 Hose Assy, Wand, Power, 3-53  
 Hose, 0050, 04, lf05str / lm05str, 10.0, 2-29  
 Hose, 0300, 08, Jf08str / None, 19.0, 2-23  
 Hose, Afmkt, Coolant Recvy, 05ft, 2-39

Hose, Afmkt, Pvc, Brd 0.38id 02ft, 3-5  
 Hose, Afmkt, Pvc, Brd 0.50id 02ft, 3-21, 3-25  
 Hose, Afmkt, Pvc, Brd 0.50id 03ft, 3-17  
 Hose, Afmkt, Pvc, Brd 0.50id 08ft, 3-17, 3-23, 3-27  
 Hose, Afmkt, Pvc, Brd 0.62id 01ft, 3-5  
 Hose, Afmkt, Pvc, Brd 0.62id, 01Ft, Clr, 3-5  
 Hose, Afmkt, Pvc, Brd 0.75id 03ft, 2-89  
 Hose, Afmkt, Pvc, Brd 0.75id 08ft, 2-87, 2-89, 3-11  
 Hose, Afmkt, Pvc, Brd 0.75id 12ft, 3-3  
 Hose, Afmkt, Pvc, Brd, 0.38id, 03ft, Clr, 3-31  
 Hose, Afmkt, Pvc, Brd, 0.50id, 08ft, Clr, 3-33, 3-35, 3-37, 3-39  
 Hose, Afmkt, Pvc, Brd, 0.50id, 12ft, Clr, 3-57, 3-59, 3-61, 3-63  
 Hose, Afmkt, Pvc, Brd, 0.75id, 02ft, Clr, 3-31  
 Hose, Afmkt, Pvc, Brd, 0.75id, 08ft, Clr, 3-33, 3-37  
 Hose, Afmkt, Pvc, Clr 0.25id 03ft, 3-19  
 Hose, Afmkt, Pvc, Clr 0.38id 03ft, 2-29  
 Hose, Afmkt, Pvc, Clr 0.50id 08ft, 3-23, 3-27  
 Hose, Afmkt, Pvc, Clr, 0.25id, 02ft, 3-31  
 Hose, Afmkt, Pvc, Clr, 0.38id, 01ft, 3-31  
 Hose, Afmkt, Pvc, Clr, 0.38id, 03ft, 3-31  
 Hose, Afmkt, Pvc, Clr, 0.50id, 08ft, 3-35, 3-39  
 Hose, Afmkt, Pvc, Wir, 0.50id, 03ft, Clr, 3-31  
 Hose, Afmkt, Vacuum, 0.16id 01ft, 3-5  
 Hose, Air-Intk, Flex 4.00id 18.0l, 2-95  
 Hose, Drain, 3.00id X 48.0l, 2-85, 2-93  
 Hose, Fuel [Ku], 6-20  
 Hose, Fuel, 0.18id 29.0l, 2-29  
 Hose, Fuel, 0.31id 22.0l, 2-29  
 Hose, Fuel, 0.50id 21.0l, 2-27  
 Hose, Heater, E90, 0.62id, 24.0 4.0, 3-35  
 Hose, Hyd, Med04, Jf04e90/Jf04str, 016.0, 2-105  
 Hose, Hyd, Med06, Jf06e90/Jf06str, 042.0, 2-103  
 Hose, Hyd, Med06, Jf06e90l/Jf06str,038.0, 3-15  
 Hose, Hyd, Med06, Jf06str/Jf06str, 033.0, 2-103  
 Hose, Hyd, Med08, Jf08e45/Jf08str, 046.0, 2-107  
 Hose, Hyd, Med08, Jf08e90/Jf08str, 032.0, 2-23  
 Hose, Hyd, Med08, Jf08e90/Jf08str, 062.0, 2-103  
 Hose, Hyd, Med08, Jf08str /Jf08e45, 21.0, 2-103  
 Hose, Hyd, Med08, Jf08str/Jf08str, 022.0, 2-105  
 Hose, Hyd, Med10, Jf10str/Jf10str, 41.0, 2-103

Hose, Hyd, Med12, Jf12e90/Jf12str, 50.0, 2-103  
 Hose, Hyd, Spcl, Jf10e45/Jf10str, 58.0 (Replaced by 1039148), 2-101  
 Hose, Hyd, Spcl, Jf10e90/Jf10str, 63.0, 2-101  
 Hose, Hyd, Spcl, Jf10str/Jf10str, 56.5, 2-101  
 Hose, Hyd, Suc 20, Jf20Str/Jf20E90, 030.0, 2-103  
 Hose, Hyd, Tc 06, Jf06str /Jf06e45, 56.0, 2-105, 2-107  
 Hose, Hyd, Tc04, Jf04E45/Qm06, 024.0, 2-109  
 Hose, Hyd, Tc04, Jf04E45/Qm06, 028.0, 2-109  
 Hose, Hyd, Tc04, Jf04e90/Jf04str, 42.0l, 2-109  
 Hose, Hyd, Tc04, Jf04e90/Jf04str, 46.0l, 2-109  
 Hose, Hyd, Tc04, Jf04str /Jf04str, 20.0, 3-15  
 Hose, Hyd, Tc04, Jf04str /Jf04str, 39.0, 3-15  
 Hose, Hyd, Tc04, Jf04str/Jf04str, 036.0, 2-107  
 Hose, Hyd, Tc04, Jf04Str/Qm06, 028.0, 2-109  
 Hose, Hyd, Tc06, Jf06e90/Jf06str, 040.0, 2-101  
 Hose, Hyd, Tc06, Jf06e90/Jf06str, 104.0, 2-101  
 Hose, Hyd, Tc06, Jf06str /Jf06e45, 54.0, 2-105, 2-107  
 Hose, Hyd, Tc06, Jf06str /Jf06e90, 74.0, 3-15  
 Hose, Hyd, Tc06, Jf06str /Jf06str, 23.0, 3-15  
 Hose, Hyd, Tc06, Jf06str/Jf06str, 033.0, 3-15  
 Hose, Hyd, Tc06, Jf06Str/Jf06Str, 054.0, 2-105  
 Hose, Hyd, Tc08, Jf08e45/Jf08str, 052.0, 2-107  
 Hose, Hyd, Tc08, Jf08e45/Jf08str, 26.0, 2-103  
 Hose, Hyd, Tc08, Jf08e45/Jf08str, 96.0, 2-101  
 Hose, Hyd, Tc08, Jf08e90/Jf08str, 020.0, 2-107  
 Hose, Hyd, Tc08, Jf08e90/Jf08str, 034.0, 3-15  
 Hose, Hyd, Tc08, Jf08e90/Jf08str, 046.0, 2-103  
 Hose, Hyd, Tc08, Jf08e90/Jf08str, 084.0, 3-15  
 Hose, Hyd, Tc08, Jf08e90/Jf08str, 13.0, 2-105  
 Hose, Hyd, Tc08, Jf08str/Jf08e90, 012.0, 3-13  
 Hose, Hyd, Tc08, Jf08str/Jf08e90, 031.0, 2-103

## CROSS REFERENCE

Hose, Hyd, Tc08, Jf08Str/Jf08Str, 034.0, 3-15  
Hose, Hyd, Tc08, Jf08str/Jf08str, 040.0, 2-107  
Hose, Hyd, Tc08, Jf08str/Jf08str, 21.0, 2-103  
Hose, Hyd, Tc08, Jf08str/Jf08str, 48.0, 2-105  
Hose, Hyd, Tc12, Jf12e90/Jf12str, 044.0, 2-103  
Hose, Hyd, Med04, Jf04str/Jf04str, 066.0, 2-101  
Hose, Hyd, Tc 04, Jf04str /Jf04e45 , 35.0, 2-109  
Hose, Intake, Mold, 1.75id 1.75id Dsl, 2-31  
Hose, Intake, Mold, 2.00id [Epdm], 2-31  
Hose, Pvc, Brd, 0.25id 0.44od 157.2l, Clr, 3-53  
Hose, Pvc, Clr, 0.38id 0.56od 22.00l, 2-39  
Hose, Pvc, Clr, 0.38id 0.56od 48.00l, 3-3, 3-5  
Hose, Pvc, Clr, 0.50id 0.69od 26.00l, 3-11  
Hose, Pvc, Clr, 0.50id 0.69od 30.00l, 2-41  
Hose, Pyu, 0.25id 0.38od 1220mml, Blk, 3-55  
Hose, Radiator, Lower, Dsl, 2-39  
Hose, Radiator, Upper, Dsl, 2-39  
Hose, Rbr, E90 1.25id 1.25id 04.2 03.1, 2-39  
Hose, Vacuum, 1.50id X 10ft, Gray, 3-53  
Hose, Water [Ku], 5-31, 6-29  
Hose, Water, Coil, 0.38id 0.56od, 3-61, 3-63  
Housing Assy, Nozzle, 5-23, 6-20, 6-21  
Housing Assy, Vacfan, Scrbr, 2-95  
Housing Kit, Pump, Water, 4-3  
Housing Wldt, Brush, Drive, 2-51, 2-53  
Housing Wldt, Swp, Scb, 2-55  
Housing Wldt, Vacfan, Front [528], 2-95  
Housing, Brg, Motor, Hyd, 4-5  
Housing, Flywheel, Mach [1505, Kubo], 2-23  
Housing, Motor, Hyd [En], 4-9, 4-11  
Housing, Sppt, Rear Wheel, 2-43  
Housing, Thermostat [Ku], 5-31, 6-29  
Housing, Valve, 4-5  
Housing, 4-7  
Housingl, 4-8  
Hsg & Switch Kit, Pump, Repair., 4-21  
Hub Assy, Wheel, 5 Bolt 4.50bc Taper B, 2-43  
Hub, Drive, Brush, Disk, 1.00B [6T], 2-59  
Hub, Drive, Brush, Disk, 1.00b [6t], 3-7  
Hub, Drive, Brush, Disk, 3hole 5.8bc[6t], 2-3, 2-5  
Hub, Drive, Brush, Disk, 3Hole 5.8Bc, 2-3  
Hub, Drive, Brush, Disk, 3hole 5.8bc, 2-3, 2-5

### I

Idler Assy, Brush, Replmt [M20/T20, M30], 2-51, 2-53  
Idling, Apparatus [Ku], 6-26  
Impeller, 9.5d, 18 Blade Mach, 2-95  
Impeller, Pump, Water [Ku], 6-8  
Impeller, Water Pump, 5-8  
Indicator, Press, 60psi, 2-115  
Indicator, Timing [Ku], 6-18  
Insert, Cap, Mount, Es Pump, 4-3  
Insert, Plt, Cam, Pump, Hyd, 4-7  
Instr. Repair Info, Motor, 4-8  
Instr, Maint, Wall Chart [T20], 3-70  
Instr, Motor, Hyd, Repair [En], 4-9, 4-11  
Instr, Repair, Motor, Hyd, Gear, 4-5  
Instr, Repair, Pump, 4-7  
Instr, Seal Kit, Motor, 4-10  
Instr, Valve, Steering, Repair, 4-19  
Insulation, Acstc, Rnd, 0.8, 02.5d 0.5h, 2-17  
Insulation, Flame-Retardant, 0.5, 2-21, 2-27  
Insulation, Flame-Retardant, 0.50, 2-95  
Insulation, Flame-Retardant, 0.75-0.88, 2-11, 2-95  
Insulation, Flame-retardant, 0.75-0.88, 2-11, 2-15  
Insulation, Flame-Retardant, 1.0, 2-15  
Insulation, Shrd, Eng, Gusset, 2-21  
Insulation, Thermal, Hydraulic Blanket, 2-115  
Insulation, 3-49  
Isolator, Rbr, 2-37  
Isolator, Vib, .50d, 2-23  
Isolator, Vib, Bshg, 1.1d 0.6l .4b 0.78h, 2-39, 2-95

### K

Key [Ku], 6-15, 6-17  
Key, Feather, 5-15  
Key, Ignition [Set Of 2], 1-1, 2-13  
Key, Motor, Hyd, 4-5  
Key, Shaft, Pump, Hyd, 4-7  
Key, Sq, 0.12 X 0.12, 0.50l, 2-33, 2-35  
Key, Sq, 0.12 X 0.12, 0.75l, 4-10  
Key, Sq, 0.12 X 0.12, 1.00l (Included With Motor), 2-95  
Key, Sq, 0.25 X 0.25, 1.25l, 2-51, 2-53  
Key, Woodruff [Ku], 6-13  
Key, Woodruff, 0.25 1.00 [Asa#0808], 4-9, 4-11  
Key, Woodruff, 5-13  
Key-Wdruff 0.25 1.00, 4-8  
Key, 5-17  
Kit, Bellows, Pump, Detgt, 4-20  
Kit, Brush, Motor, Ele, 4-3  
Kit, Seal, Motor, Hyd, Gear[Barns], 2-95, 4-10  
Kit, Seal, Motor, Hyd, 4-5  
Kit, Seal, Valve, Hyd [Cec], 4-10  
Kit, Valve, Check, Pump, Water, 4-3

Knob Assy, Star, 1.12d 3ear M10, 2-71  
Knob, Rnd, 1.04d 1.18l .25-20 Yel Plstc, 2-65  
Knob, Star, 2.80d 4ear 1.1l .31-18 Pyp, 2-69  
Knob, Tee, 2.5x1.0 1.1l 0.38-16 Plstc, 2-17

### L

Label [Nfsi Certification], 2-141  
Label Kit, Panel, Replmt [T20], 2-13  
Label Set, Brush Indicator & Removal, 2-141  
Label Set, Hi Temp, 2-141  
Label Set, Info/Hzrd, Swpr / Scrbr, Tj (Japan Only), 2-141  
Label Set, Info/Hzrd, Swpr / Scrbr, 2-141  
Label, Off-White [Fast] (Option), 2-141  
Label, Off-White, Es (Option), 2-141  
Label, Switch, Rocker [T20], 2-13  
Lamp Strobe, Amb [12-48 Vdc], 3-45, 3-47  
Lamp, 12vdc [Speaker], 2-7  
Lamp, Bulb, Lamp, Flsh, 3-43, 3-46  
Lamp, Bulb, Lamp, Strobe, 3-45, 3-47  
Lamp, Flasher, Amb [12-48 Vdc], 3-43, 3-46  
Latch Kit, Disk, Replmt [T20], 2-59  
Latch Wldt, Head, Disk, 2-59  
Latch, Cover, 2-82  
Latch, Door [Southco 91-562-07], 2-21, 2-73, 2-77  
Latch, Hook, 2-75, 2-79  
Latch, 2-15, 2-39, 2-51, 2-53, 2-65, 2-81, 2-82, 3-65  
Lens, Blue, Option, F/ Revl / Flsh Light, 3-43, 3-45, 3-46, 3-47  
Lens, Lamp, Amb, Strobe/Flasher, 3-43, 3-45, 3-46, 3-47  
Lens, Red, Option, F/ Revl / Flsh Light, 3-43, 3-45, 3-46, 3-47  
Lever Assy, Fork [KU], 6-28  
Lever, Cntrl, Spd [Ku], 6-27  
Lever, Engine Stop, 5-29  
Lever, Fork [Ku], 6-28  
Lever, Fork 2, 5-30  
Lever, Fork, Shaft [Ku], 6-28  
Lever, Plate, Cntrl [Ku], 6-27  
Lever, Speed Control, 5-29  
Lever, Stop [Ku], 6-27  
Light Kit, Flsh, Ci [M20 And T20], 3-43  
Light Kit, Flsh, W/Ohg, Ci[M20 And T20], 3-46  
Light Kit, Revl, Ci [M20 And T20], 3-45  
Light Kit, Revl, W/Ohg, Ci [M20 And T20], 3-47  
Light, Panl, 14vdc, , 1.1 X 1.0, 2-13  
Light, Tail, 12vdc, 2-7  
Link Assy, Rod-End, M12, 2-63  
Link, .25 1.4w 3.2l 2/.5h, 3-67  
Lip Kit, Debris, Replmt [T20], 2-65  
Lock, Secondary, 2cav, Mp280 Sealed, 4-21



**M**

Magnet, Pickup, 2-23  
 Maint Kit, 400hr, Dsl [M20/T20], 1-1  
 Manifold Assy, Cntrl, Soltn, 2-89  
 Manifold Assy, Inlet, 5-11, 6-11  
 Manifold Wldt, Cntrl, Soltn, 2-89  
 Manifold, Bar, Spray, 37.5inch, 2-87  
 Manifold, Exhaust [Ku], 6-11  
 Manifold, Exhaust, Front, Down, 5-11  
 Manual, Eng [Kubo, V1505e], 3-70  
 Manual, Oprtr [T20 Dsl En], 3-70  
 Manual, Oprtr [T20 Dsl, Es, Na], 3-70  
 Manual, Oprtr [T20 Dsl, Fr, Na], 3-70  
 Manual, Parts, En [T20 Dsl], 3-70  
 Manual, Service [T20 En], 3-70  
 Mat, Floor, 2-9  
 Metal, Crankpin 02, 5-17  
 Metal, Crankpin 04, 5-17  
 Metal, Crankpin, 5-17  
 Metal, Crankshaft 1, 5-17  
 Metal, Crankshaft 2, 5-17  
 Metal, Crankshaft 3, 5-17  
 Metal, Crankshaft1 02, 5-17  
 Metal, Crankshaft1 04, 5-17  
 Metal, Crankshaft2 02, 5-17  
 Metal, Crankshaft2 04, 5-17  
 Metal, Crankshaft3 02, 5-17  
 Metal, Crankshaft3 04, 5-17  
 Metal, Side 1 02, 5-17  
 Metal, Side 1 04, 5-17  
 Metal, Side 1, 5-17  
 Metal, Side 2 02, 5-17  
 Metal, Side 2 04, 5-17  
 Metal, Side 2, 5-17  
 Mirror, Convex, 0.50D, 3-49  
 Molding, Afmkt, Trim, Pvc, .08 .11, 1ft, 2-9  
 Motor Kit, Pump, Repair, 4-21  
 Motor Kit, Replmt [M20&T20], 2-95  
 Motor, Ele, 12vdc, Pump, Water, 4-3  
 Motor, Ele, Gear, 14vdc, Pump, Detgt, 4-20  
 Motor, Hyd Gear In 4.5 B 1500, 4-8  
 Motor, Hyd, Gear, [Int], 19.0 X 3000, 4-5  
 Motor, Hyd, Gear, Ext 0.19 Rh 3000, 4-10  
 Motor, Hyd, Gear, Int 04.5 Bi-Dir 1500 (See Breakdown), 2-51, 2-53  
 Motor, Hyd, Gear, Int 08.9 Bi-Dir 2500 (See Breakdown), 3-7  
 Motor, Hyd, Gear, Int 08.9 Bi-Dir 2500, 4-9  
 Motor, Hyd, Gear, Int 09.7 Bi-Dir 2500, 2-59, 4-11  
 Motor, Hyd, Gear, Int 19.0 Bi-Dir 3000 (See Breakdown), 2-43  
 Motor, Starter, 12vdc [Kubota] (See Engine Breakdown), 2-23  
 Mount Wldt, Valve, Pinch, Lh, 2-93  
 Mount Wldt, Valve, Pinch, Rh, 2-85  
 Muffler, Exhaust, 2-37

**N**

Nozzle [Ku], 6-21  
 Nozzle kit, Spray, Ci [T20], 3-61  
 Nozzle Kit, Spray, W/Pwr Wand, Ci [T20], 3-63  
 Nozzle, Spray, Gun, 3-61, 3-63  
 Nozzle, Spring [Ku], 6-21  
 Nozzle, Wand, Plstc, 14.0lg, 3-51  
 Nozzle, 3-61, 3-63  
 Nut [Ku], 6-21, 6-23  
 Nut, Cap [Ku], 6-26  
 Nut, Cap, Cam [Ku], 6-13  
 Nut, Cap, 5-10, 5-13, 5-25, 5-28  
 Nut, Coil, F/#8, 4-13, 4-15  
 Nut, Coil, Nyl Patch, 4-17  
 Nut, Flange [Ku], 6-20  
 Nut, Hex [Ku], 5-31, 6-7, 6-12, 6-19, 6-23, 6-26, 6-27  
 Nut, Hex, Cap, 6-10  
 Nut, Hex, Flng, M8 X 1.25, 2-113  
 Nut, Hex, Jam, .31-24, 2-47  
 Nut, Hex, Jam, .38-24, 2-23  
 Nut, Hex, Jam, .50-20, Lh, 2-55  
 Nut, Hex, Jam, .50-20, 2-55, 3-9  
 Nut, Hex, Jam, M20 X 1.5, 2-17  
 Nut, Hex, Lock, .25-20, NI, Ss, 2-49  
 Nut, Hex, Lock, .25-20, NI, 2-27, 2-95  
 Nut, Hex, Lock, .31-18, NI, Thin, 2-15  
 Nut, Hex, Lock, .31-18, NI, 2-15  
 Nut, Hex, Lock, .38-16, NI, Ss, 2-33, 2-35, 3-9  
 Nut, Hex, Lock, .38-16, NI, Thin, 2-49, 2-95  
 Nut, Hex, Lock, .38-16, NI, 2-33  
 Nut, Hex, Lock, .50-13, NI, Ss, 2-71  
 Nut, Hex, Lock, .50-13, NI, Thin, 2-55  
 Nut, Hex, Lock, .50-20, NI, Thin, 2-55  
 Nut, Hex, Lock, .75-10, NI, 2-43  
 Nut, Hex, Lock, #08-32, NI, 2-13  
 Nut, Hex, Lock, M10 X 1.5, NI, Ss (Disk Scrub Head), 2-7  
 Nut, Hex, Lock, M10 X 1.5, NI, Ss, 2-71  
 Nut, Hex, Lock, M10 X 1.5, NI, 2-23, 2-33, 2-39, 3-49, 3-67  
 Nut, Hex, Lock, M12 X 1.75, NI, Ss, 2-55, 2-61, 2-63, 2-65  
 Nut, Hex, Lock, M12 X 1.75, NI, 2-23, 2-24, 2-45  
 Nut, Hex, Lock, M4 X 0.7, NI, Ss, 2-21, 2-49, 2-73, 2-77, 3-3  
 Nut, Hex, Lock, M4 X 0.7, NI, 2-15, 2-21, 3-19  
 Nut, Hex, Lock, M4 X 0.70, NI, 2-39  
 Nut, Hex, Lock, M5 X 0.8, NI, Ss, 2-51, 2-53, 2-87, 3-11, 3-17, 3-23, 3-27  
 Nut, Hex, Lock, M5 X 0.8, NI, 2-15, 2-41  
 Nut, Hex, Lock, M5 X 0.80, NI, Ss, 3-35, 3-39, 3-41, 3-43, 3-45, 3-46, 3-47, 3-65  
 Nut, Hex, Lock, M5 X 0.80, NI, 3-57, 3-61  
 Nut, Hex, Lock, M6 X 1.0, NI, 2-15, 2-17, 2-19, 2-41, 2-47

Nut, Hex, Lock, M6 X 1.0, Ss, NI, 2-13, 2-87  
 Nut, Hex, Lock, M6 X 1.00, NI, 2-9, 2-29, 2-31, 2-33, 2-35, 2-39  
 Nut, Hex, Lock, M6 X 1.00, Ss, NI, 2-37, 2-57, 2-59, 2-61, 2-63, 2-65, 2-67, 2-89, 2-91, 3-3, 3-57, 3-59  
 Nut, Hex, Lock, M8 X 1.25, NI, Ss, 2-31, 2-37, 2-39, 2-49, 2-51, 2-53, 2-59, 2-63, 2-65, 2-67, 2-69, 2-71, 2-73, 2-75, 2-77, 2-79, 2-81, 2-85, 2-93, 3-7, 3-11, 3-13  
 Nut, Hex, Lock, M8 X 1.25, NI, 2-7, 2-9, 2-21, 2-24, 2-27, 2-33, 2-35, 2-39, 2-41, 2-47, 2-49, 2-75, 2-79, 3-13  
 Nut, Hex, Slted, .75-16, 2-45  
 Nut, Hex, Slted, 1.12-18, 2-43  
 Nut, Hex, Slted, M20 X 2.5, 8, 2-51, 2-53  
 Nut, Hex, Std, .25-28, Lh, 2-47  
 Nut, Hex, Std, .25-28, 2-47, 2-49  
 Nut, Hex, Std, .31-18, 3-49  
 Nut, Hex, Std, #08-32, 2-23  
 Nut, Hex, Std, M12 X 1.75, Ss, 2-75, 2-79  
 Nut, Hex, Std, M16 X 2.0, 2-19  
 Nut, Hex, Std, M5 X 0.8, 8, 2-49  
 Nut, Hex, Std, M8 X 1.25, Brs, 2-35  
 Nut, Hex, Std, M8 X 1.25, Ss, 2-61, 2-75, 2-79  
 Nut, Hex, Std, M8 X 1.25, 2-9  
 Nut, Hexagon, 5-21  
 Nut, Isolator, .38-16 Wall Th .015-.437, 3-57, 3-59  
 Nut, Lock [Ku], 6-26  
 Nut, Low Crown, .50-20, 2-95  
 Nut, Motor, Hyd, 4-5  
 Nut, Nozzle [Ku], 6-21  
 Nut, Solenoid, 4-13, 4-15  
 Nut, T, M10 X 1.50 X 15.80d X 13.0l, 2-73, 2-77  
 Nut, T, M4 X 0.70, 2-3  
 Nut, T, M8 X 1.25 X 14.50d X 9.5l, 3-7  
 Nut, Thumb, M6 X 1.0, 30d, 3-55  
 Nut, Wheel, .50-20 X 60 Angle, 2-43  
 Nut-Hxslot .75-16 Pltd, 4-8  
 Nut, 5-7, 5-11, 5-12, 5-25, 5-28, 5-29, 6-11, 6-19

**O**

O-Ring [Ku], 6-4, 6-27  
 O-Ring, 5-3, 5-4, 5-5, 5-7, 5-17, 5-21, 5-27, 5-29  
 Ohg Kit, Ci [M20 And T20], 3-49  
 Oil Filter, Plug, 5-7

**P**

Pad, Buff, 14.0d, Red, 2-3  
 Pad, High Productivity Stripping, 14.0d, Blk, 2-3  
 Pad, Pedal, Brake, 3.96l 2.36w 0.75, 2-47  
 Pad, Polish, 14.0d, White [1pad=1pc], 2-3

## CROSS REFERENCE

Pad, Scb, 14.0d, Blu [1pad=1pc], 2-3  
Pad, Stripping, 14.0d, Brown [1pad=1pc], 2-3  
Pad, Surf Prep, 14.0D, Maroon [1Pick=1Pad], 2-3  
Pad, Tank, Hyd [W/Psa], 2-113, 2-115  
Paint, Airdry, Blk, 12oz, 1-1  
Paint, Airdry, Gray, 12oz [Enamel], 1-1  
Paint, Airdry, Iron Gray, 12oz [Pwdr Coat], 1-1  
Paint, Airdry, Off-White, 12oz, 1-1  
Paint, Airdry, Teal, 12oz, Solid, 1-1  
Pan, Oil, Dsl, 6-4  
Panel Kit, Instmt, Replmt [T20], 2-13  
Panel Wldt, Adj [2007], 2-9  
Panel Wldt, Adj, 2-9  
Panel Wldt, Dsl, Replmt [W/Fast], 2-9  
Panel Wldt, Dsl, Replmt, TJ (Japan only), 2-9  
Panel Wldt, Dsl, Replmt, TJ [W/Fast] (Japan only), 2-9  
Panel Wldt, Dsl, Replmt, TJ, W/Es (Japan only), 2-9  
Panel Wldt, Dsl, Replmt, 2-9  
Panel Wldt, Dsl, W/ Es, Replmt, 2-9  
Panel Wldt, Filler, 2-7  
Panel, Access, Debris Tray, 2-67  
Panel, Access, Door, 2-9  
Panel, Access, Floor, 2-9  
Panel, Instmt, Rh, Gas, Replmt, 2-13  
Panel, Instmt, Rh, Lpg, Replmt, CE/TJ (Japan only), 2-13  
Panel, Instmt, Rh, Lpg, Replmt, 2-13  
Panel, Shrd, Fan, Dsl, 2-39  
Pawl, Str, 2-51, 2-53  
Pedal, Brake, Lock, 2-47  
Pedal, Propel, 2-48  
Pin Wldt, Front, 2-69  
Pin Wldt, Lift (Replaced By 9003478), 2-71  
Pin Wldt, 3-9  
Pin, 0.63d 01.8l, 1/M10h, 2cham, 2-71  
Pin, Clamp, 5-27, 6-25  
Pin, Clevis, 0.19d X 0.63l, 2-63  
Pin, Clevis, 0.25d X 0.75l, 2-47  
Pin, Clevis, 0.25d X 2.44l, 2-63  
Pin, Clevis, 0.31d X 0.75l, 3-7  
Pin, Clevis, 0.31d X 1.00l, 2-47  
Pin, Clevis, 0.37d X 1.31l, 3-9  
Pin, Clevis, 0.37d X 1.50l, 3-9  
Pin, Clevis, 0.37D X 1.75L, 2-75, 2-79  
Pin, Clevis, 0.37d X 1.75l, 2-55, 2-61, 3-9  
Pin, Clevis, 0.37d X 2.00l, 2-63  
Pin, Clevis, 0.50 D X 4.50l, 2-49  
Pin, Clevis, 0.50d X 2.50l, 2-63  
Pin, Clevis, 0.62d X 2.12l, 2-61  
Pin, Clevis, 0.75d X 2.00l, 2-55, 2-61  
Pin, Clevis, 30mmd X 200mml, 2-7, 3-11  
Pin, Cotter, .062 X 0.50, 2-47  
Pin, Cotter, .062 X 0.75, 2-63  
Pin, Cotter, .094 X 1.00, 2-47, 2-61, 2-63, 3-7, 3-9  
Pin, Cotter, .094X0.75, 2-63  
Pin, Cotter, .125 X 1.00, 2-49, 2-75, 2-79  
Pin, Cotter, .125 X 1.25, 2-51, 2-53, 2-61  
Pin, Cotter, .125 X 2.00, 2-43  
Pin, Cotter, .156 X 1.25, 2-55  
Pin, Cotter, .156 X 2.00, 2-45  
Pin, Cotter, Hair, 0.31d .058 Wir, 2-15  
Pin, Cotter, Hair, 0.38d .072 Wir, 2-55, 2-61, 2-63  
Pin, Cotter, Hair, Dbl, 2-7, 3-11  
Pin, Dowel [Ku], 6-3  
Pin, Dowel, Cyl Block [1pk=4], 2-23  
Pin, Dowel, Pump, Hyd, 4-7  
Pin, Eng [Ku], 6-3  
Pin, Grvd, 0.43d 01.8l [303ss], 2-69  
Pin, Hitch, .375d X 3.12l, Pl, 3-7, 3-67  
Pin, Joint, Inj [Ku], 6-25  
Pin, Joint, 5-27  
Pin, Lift, Drain, 2-91  
Pin, Locking, Steering, Tilt, 2-17  
Pin, Pipe, 5-3  
Pin, Piston [Ku], 6-17  
Pin, Piston, 5-17  
Pin, Spring [Ku], 6-12, 6-27  
Pin, Spring, 5-29  
Pin, Start Spring, 5-3  
Pin, Start, Spring, 6-3  
Pin, Straight [Ku], 6-3  
Pin, Straight, 5-3  
Pin, Tappet [Ku], 6-25  
Pin, Tappet Guide, 5-27  
Pin, Valve, Steering, 4-19  
Pipe, Breather [Ku], 5-11, 6-11  
Pipe, Clip [Ku], 6-20  
Pipe, Drain, 5-21  
Pipe, Fltr, Oil [Ku], 2-23  
Pipe, Fuel, Overflow [Ku], 6-20  
Pipe, Injection 1, 5-23  
Pipe, Injection 2, 5-23  
Pipe, Injection 3, 5-23  
Pipe, Injection 4, 5-23  
Pipe, Injector, # 4, 6-20  
Pipe, Over Flow, 5-23  
Pipe, Overflow, 6-20  
Pipe, Water [Kubota], 6-8  
Pipe, Water, Return, 6-29  
Pipe, Water, 5-10, 6-10  
Piston 05, 5-17  
Piston, Eng [Ku], 6-17  
Piston, Pump, Hyd, Gear, 4-5  
Piston, Ring Assy [Ku], 6-17  
Piston, 5-17  
Pivot Wldt, Brush, Side, 3-9  
Plate Assy, Orifice, 0.0105id, Green, 4-22  
Plate Wldt, Hose, Vacuum, 2-95  
Plate Wldt, Seat, 2-15  
Plate, Backing, Brake, 2-45  
Plate, Bmpr, Lh, 3-68  
Plate, Bmpr, Rh, 3-68  
Plate, Cam, 4-7  
Plate, Cntrl, Spd [Ku], 6-27  
Plate, Cover, 4-7  
Plate, Guard, Fan Shrd, Dsl, 2-39  
Plate, Guard, Fan, Shrd, Dsl, Replmt, 2-39  
Plate, Handle, 2-51, 2-53  
Plate, Hook, Latch, 3-65  
Plate, Hsng [Fast], 3-17  
Plate, Mtg, Latch, 2-81, 2-82  
Plate, Mtg, Light, 2-13  
Plate, Mtg, Prop Rod, 2-91  
Plate, Mtg, Seal, 2-19, 2-39  
Plate, Mtg, Skirt, Scb Head, 2-57  
Plate, Mtg, Valve, 3-23, 3-27, 3-35, 3-39  
Plate, Orifice, 0.070id, 3-17  
Plate, Orifice, 0.093id, 3-17  
Plate, Seal, Sound, 2-21  
Plate, Shield, Heat, Dsl, Replmt, 2-37  
Plate, Skirt, Front, 2-57  
Plate, Spacer, Motor, Hyd [En], 4-9, 4-11  
Plate, Sppt, 2-47, 2-63  
Plate, Stop, Brake, 2-47  
Plate, Valve, Motor, Hyd, 4-5  
Plate, Valve, Pump, Hyd, 4-7  
Plate, Wear, Steering Valve, 4-19  
Plate, 5-27, 6-25  
Plug #10, 4-8  
Plug #4, 4-8  
Plug Assy [CI], 4-19  
Plug Kit, Drain, Recvy, Ci [M20 & T20], 2-91  
Plug Wldt, Drive, Brush, Sweep, 2-51, 2-53  
Plug Wldt, Drive, Brush, 2-51, 2-53  
Plug, Cup, Sealing [Ku], 6-3, 6-5  
Plug, Drain, Expandable, 4.75-6.00, 2-91  
Plug, Drain, 5-4  
Plug, Eng [Ku], 6-3  
Plug, Expansion, 5-3  
Plug, Gauge, Oil [Ku], 6-4  
Plug, Glow, 5-23  
Plug, Hole, Rnd, 0.50h .03-.12, Blk Nyl, 2-13  
Plug, Hole, Rnd, 0.81h, Blk, 2-9  
Plug, Hole, Rnd, 0.88h .03-.12, Blk Nyl, 2-9  
Plug, Hole, Rnd, 1.00h .03-.12, Blk Nyl, 2-9  
Plug, Hole, Rnd, 1.25H .03-.12, Blk Nyl, 2-15  
Plug, Hole, Rnd, 2.50h .03-.25, Blk Nyl, 2-9  
Plug, Hole, Rt, Rocker Switch, .87 X 1.7, 2-13  
Plug, Hole, Soltn Tank, Blk Pyu, 2-81  
Plug, Hose, Pyu, 2-85, 2-93  
Plug, Oil Filler, 5-10  
Plug, Orifice, 0.060, Ss [Fast li+], 4-22  
Plug, Orifice, Valve, Hyd, .040, 4-13, 4-17  
Plug, Orifice, Valve, Hyd, .046, 4-15  
Plug, Orifice, Valve, Hyd, .063, 4-15  
Plug, Pump, Hyd, Gear, 4-5  
Plug, 4-5, 5-3, 5-5, 5-7  
Plunger, Pump, Inj [Ku], 6-25  
Plunger, Pump, 5-27  
Poppet, Pump, Hyd, Gear, 4-5  
Pully, Fan, 5-8  
Pump Assy, Column, Es (See Breakdown), 3-5  
Pump Assy, Column, Es, 4-3

Pump Kit, Hyd, Rotating [Cessna], 4-7  
 Pump, Diaphragm, 4-21  
 Pump, Air, Ele, 12vdc, 3-19  
 Pump, Detgt, 12vdc, 3-19  
 Pump, Detgt, 14vdc, 150ml/Min 20psi (See Breakdown), 3-3  
 Pump, Detgt, 14vdc, 150ml/Min 20psi, 4-20  
 Pump, Diaphragm, 3-57, 3-61  
 Pump, Fuel, 2-29  
 Pump, Hyd, Gear, Ext, 3, 00.97 2500, Cw, 2-111  
 Pump, Hyd, Piston, Var, 1.24 4000, Cw (See Breakdown), 2-111  
 Pump, Hyd, Piston, Var, 1.24 4000, Cw, 4-7  
 Pump, Injection [Kubo], 6-23, 6-25  
 Pump, Oil, Eng [Ku], 6-7  
 Pump, Oil, Pickup [Sump, Ku], 5-4  
 Pump, Soltn, 13.7vdc, 65psi [Fast li+], 3-31  
 Pump, Soltn, Ele, 12vdc [W/O Chk Valve], 3-17  
 Pump, Water Assy [Ku], 6-8  
 Push Rod, 5-15

**R**

Race Thrust, 4-8  
 Race, Brg, Pump, Hyd, 4-7  
 Rack, Control, 5-27  
 Radiator, 2-39  
 Receptacle, Lamp [Speaker], 2-7  
 Relay, 12vdc, 40a, Spdt N/O, 2-29, 2-41, 3-17  
 Relay, 12vdc, 040a, Spdt No, 3-31, 3-57, 3-61  
 Reservoir, Hyd, 10.0Gal, Replmt, 2-115  
 Retainer, Boot, Steering Column, 2-17  
 Retainer, Gear, Starter [Ku], 6-19  
 Retainer, Motor, Hyd, 4-5  
 Retainer, Ring, Brake, 2-45  
 Retainer, Skirt, Disk Head, 2-61  
 Retainer, Skirt, Front, 2-57  
 Retainer, Skirt, 2-57  
 Retainer, Spring [Ku], 6-12  
 Retainer, Spring, Valve [Ku], 6-12  
 Retainer, Sqge, Side, Lh, 2-77  
 Retainer, Sqge, Side, Rh, 2-73  
 Retainer, Sqge, Wand [17b/E], 3-55  
 Retainer, Sqge, 3-7  
 Retainer, Valve Spring, 5-12  
 Retainer, 5-21, 6-19  
 Ring [Ku], 6-17  
 Ring, Lock, 4-7  
 Ring, Motor, Hyd, 4-5  
 Ring, Mtg, Sqge, .50l, 2-69  
 Ring, Piston Assy [Ku], 6-17  
 Ring, Retainer, Steering Valve, 4-19  
 Ring, Retaining, Ext, 0.38d, [E-Ring], 2-69, 2-71  
 Ring, Retaining, Ext, 0.50d, Hd, 2-17  
 Ring, Retaining, Ext, 0.62d, Hd, 2-71

Ring, Retaining, Ext, 0.98d, [E-Ring], 2-47  
 Ring, Retaining, Ext, 1.00d, Basic, 2-51, 2-53  
 Ring, Retaining, Pump, Hyd, 4-7  
 Ring, Retaining, 4-7  
 Ring, Snap [Ku], 6-13, 6-15  
 Ring, Snap, Piston [Ku], 6-17  
 Rivet, Blind [S2500 Drvblock], 3-55  
 Rivet, Blind, .125d X 0.54 X .25d, Alm, 2-81, 2-82  
 Rivet, Plstc, .250 X 0.898, 3-51  
 Rivet, Plstc, .250d X 0.898, 2-17  
 Rivet, Plstc, .250d X 0.90, 3-57, 3-59  
 Rod Assy, Connecting [Ku], 6-17  
 Rod, Latch, 2-65  
 Rod, Push [Ku], 6-21  
 Rod, Push, Valve [Ku], 6-15  
 Rod, Thrd, 2 End, .50-20 04.9l, Rh / Lh, 2-55  
 Rod-End, .25-28rh Fem 0.25b [Teflon], 2-49  
 Rod-End, .50-20lh Fem 0.50-20stud, 2-55  
 Rod-End, .50-20rh Fem 0.50b, 2-55  
 Rod-End, .50-20rh Mal 0.50b, 3-9  
 Rod, 2-47  
 Roller, Brg, 2-85, 2-93  
 Roller, 5-21

**S**

Screen, Pump, 3-5  
 Screen, Vacuum, 2-91  
 Screw, Adj, Rocker Arm [Ku], 6-12  
 Screw, Adj, Stop [Ku], 6-26  
 Screw, Adjusting, 5-12  
 Screw, Btn, M8 X 1.25 X 16, Ss, 3-11  
 Screw, Btn, M8 X 1.25 X 20, Blk, 2-73, 2-77, 2-85, 2-93, 3-65  
 Screw, Btn, M8 X 1.25 X 25, Ss, 3-7  
 Screw, Btn, M8 X 1.25 X 40, Ss, 2-67  
 Screw, Cap, Motor, Hyd, 4-5, 4-11  
 Screw, Cap, 4-7  
 Screw, Flt [Ku], 6-7  
 Screw, Flt, .25-20 X 1.00, Al, 2-95  
 Screw, Flt, .38-16 X 1.50, Al, 2-95  
 Screw, Flt, M10 X 1.5 X 25, 10.9, 2-73, 2-77  
 Screw, Flt, M8 X 1.25 X 25, 2-21  
 Screw, Flt, M8 X 1.25 X 30, Ss, 2-85, 2-93  
 Screw, Follow, 5-27  
 Screw, Hex [Ku], 5-31, 6-4, 6-5, 6-7, 6-11, 6-23, 6-25, 6-28  
 Screw, Hex, .25-10 X 0.75, Fmg/a, Ss, 2-91  
 Screw, Hex, .25-20 X 1.00, 5, 3-7  
 Screw, Hex, .25-20 X 1.00, G5, 2-59  
 Screw, Hex, .25-20 X 1.75, Ss, 2-49  
 Screw, Hex, .25-20 X 2.00, Ss, 2-49  
 Screw, Hex, .31-18 X 0.75, Sems, 2-33  
 Screw, Hex, .31-18 X 1.00, G5, 2-35  
 Screw, Hex, .31-18 X 1.50, G5, 2-33  
 Screw, Hex, .31-24 X 0.75, NI, 2-49

Screw, Hex, .38-16 X 0.75, NI, 2-51, 2-53, 3-7  
 Screw, Hex, .38-16 X 0.88, G5, 3-67  
 Screw, Hex, .38-16 X 1.00, 5, 2-49  
 Screw, Hex, .38-16 X 1.00, G5, 2-59  
 Screw, Hex, .38-16 X 1.25, 5, 2-111  
 Screw, Hex, .38-16 X 1.25, G5, 3-57, 3-59  
 Screw, Hex, .38-16 X 1.25, NI, 2-49  
 Screw, Hex, .38-16 X 1.50, Ss, 3-9  
 Screw, Hex, .38-16 X 2.00, Ss, 2-49  
 Screw, Hex, .38-16 X 3.00, G5, 2-33, 2-35  
 Screw, Hex, .50-13 X 1.50, 5, 2-55  
 Screw, Hex, .50-13 X 3.00, Ss18-8, 2-71  
 Screw, Hex, .75-10 X 4.00, 5, 2-43  
 Screw, Hex, #10-16 X 0.62, Fmg [Ab], 3-61, 3-63  
 Screw, Hex, #10-16 X 0.62, Fmg, [Ab], 2-19  
 Screw, Hex, 10-24 X 0.50, Ss, 2-35  
 Screw, Hex, Case, Brg, Main [Ku], 6-9  
 Screw, Hex, Cshft [Ku], 6-17  
 Screw, Hex, Flywheel [Ku], 6-18  
 Screw, Hex, Head, Cyl [Ku], 6-5  
 Screw, Hex, M10 X 1.25 X 20, 8.8, 2-23  
 Screw, Hex, M10 X 1.25 X 25, 8.8, 2-23  
 Screw, Hex, M10 X 1.25 X 35, 8.8, 2-33, 2-35  
 Screw, Hex, M10 X 1.5 X 110, 8.8, 2-23  
 Screw, Hex, M10 X 1.5 X 16, 8.8, 2-17  
 Screw, Hex, M10 X 1.5 X 25, 8.8, 2-9, 2-23, 2-33  
 Screw, Hex, M10 X 1.5 X 25, Ss, 2-55, 2-75, 2-79  
 Screw, Hex, M10 X 1.5 X 30, 8.8, 3-49  
 Screw, Hex, M10 X 1.5 X 30, Ss, 2-7, 2-81, 3-11, 3-67  
 Screw, Hex, M10 X 1.5 X 35, 8.8, 2-23, 2-31  
 Screw, Hex, M10 X 1.5 X 35, Ss (Disk Scrub Head), 2-7  
 Screw, Hex, M10 X 1.5 X 45, 8.8, 3-67  
 Screw, Hex, M10 X 1.5 X 80, 8.8, 3-67  
 Screw, Hex, M10 X 1.50 X 25, 8.8, 2-35  
 Screw, Hex, M10 X 1.50 X 25, Ss, 3-68  
 Screw, Hex, M10 X 1.50 X 30, 8.8, 3-68  
 Screw, Hex, M10 X 1.50 X 45, 8.8, 3-68  
 Screw, Hex, M12 X 1.75 X 30, 8.8, 3-9  
 Screw, Hex, M12 X 1.75 X 30, Ss, 2-65  
 Screw, Hex, M12 X 1.75 X 40, 8.8, 2-45, 2-55, 2-61  
 Screw, Hex, M12 X 1.75 X 40, Ss, 2-65  
 Screw, Hex, M12 X 1.75 X 50, 8.8, 2-7  
 Screw, Hex, M12 X 1.75 X 55, Ss, 2-65, 2-75, 2-79  
 Screw, Hex, M12 X 1.75 X 60, 8.8, 2-23, 2-61  
 Screw, Hex, M16 X 2.0 X 90, 8.8, 2-19  
 Screw, Hex, M4 X 0.7 X 12, 8.8, 3-19  
 Screw, Hex, M4 X 0.7 X 20, 8.8, 3-57, 3-59  
 Screw, Hex, M5 X 0.8 X 10, Fmg, 2-55, 3-67  
 Screw, Hex, M5 X 0.8 X 12, Ss, 3-11  
 Screw, Hex, M5 X 0.8 X 16, Fmg, 3-51

## CROSS REFERENCE

- Screw, Hex, M5 X 0.8 X 20, 8.8, 2-15, 2-49  
Screw, Hex, M6 X 1.0 X 12, Fmg, 2-39, 2-113  
Screw, Hex, M6 X 1.0 X 12, Ss, 3-65  
Screw, Hex, M6 X 1.0 X 16, 8.8, 2-19, 2-29, 2-33, 2-39, 2-41, 2-47  
Screw, Hex, M6 X 1.0 X 16, Fmg, 2-47, 2-49, 2-57, 2-61, 3-17, 3-19  
Screw, Hex, M6 X 1.0 X 20, 8.8, 2-15, 2-29, 2-31, 2-33  
Screw, Hex, M6 X 1.0 X 20, Ss, 2-37, 2-57, 2-61, 2-65, 2-87, 2-89, 2-91, 3-3  
Screw, Hex, M6 X 1.0 X 25, Ss, 2-65, 2-75, 2-79  
Screw, Hex, M6 X 1.0 X 40, 8.8, 2-29  
Screw, Hex, M6 X 1.0 X 55, Ss, 2-59, 2-91  
Screw, Hex, M6 X 1.0 X 60, 8.8, 2-33, 2-47  
Screw, Hex, M6 X 1.00 X 12, Ss, 2-82  
Screw, Hex, M6 X 1.00 X 16, 8.8, 2-9  
Screw, Hex, M6 X 1.00 X 16, Ss, 3-31  
Screw, Hex, M6 X 1.00 X 20, 8.8, 2-35  
Screw, Hex, M6 X 1.00 X 20, 9.8, Sems, 2-17, 2-19, 2-29, 2-39  
Screw, Hex, M6 X 1.00 X 25, 9.8 Sems, 2-13  
Screw, Hex, M6 X 1.00 X 25, 9.8, Sems, 2-29  
Screw, Hex, M6 X 1.00 X 25, Ss, 2-91  
Screw, Hex, M8 X 1.25 X 100, 8.8, 3-13  
Screw, Hex, M8 X 1.25 X 110, Ss, 2-69  
Screw, Hex, M8 X 1.25 X 130, 8.8, 2-51, 2-53  
Screw, Hex, M8 X 1.25 X 16, 8.8, 2-91, 3-9  
Screw, Hex, M8 X 1.25 X 16, Ss, 2-51, 2-53  
Screw, Hex, M8 X 1.25 X 20, 8.8, 2-9, 2-15, 2-19, 2-21, 2-29, 2-37, 2-39, 2-43, 2-47, 2-95  
Screw, Hex, M8 X 1.25 X 20, Ss, 2-7, 2-9, 2-15, 2-21, 2-31, 2-39, 2-55, 2-57, 2-61, 2-65, 2-75, 2-79, 2-81, 2-85, 2-91, 2-93, 2-95, 2-117, 3-3, 3-5, 3-19, 3-31, 3-41, 3-43, 3-45, 3-57, 3-61, 3-63  
Screw, Hex, M8 X 1.25 X 25, 8.8, 2-7, 2-9, 2-24, 2-27, 2-33, 2-35, 2-39, 2-85, 2-93, 2-113, 2-115  
Screw, Hex, M8 X 1.25 X 25, 9.8, Sems, 2-41  
Screw, Hex, M8 X 1.25 X 25, Fmg, 2-57, 3-19, 3-23, 3-27, 3-35, 3-39  
Screw, Hex, M8 X 1.25 X 25, Ss, 2-49, 2-61, 2-65, 2-67, 2-81, 2-85, 2-89, 2-93, 3-7, 3-9, 3-13  
Screw, Hex, M8 X 1.25 X 30, 8.8, 2-23, 2-33, 2-35, 2-85, 2-93  
Screw, Hex, M8 X 1.25 X 30, Ss, 2-63, 2-65  
Screw, Hex, M8 X 1.25 X 35, 8.8, 2-47, 2-85, 2-93  
Screw, Hex, M8 X 1.25 X 40, Ss, NI, 2-49  
Screw, Hex, M8 X 1.25 X 45, Ss, 2-37, 2-65, 2-71  
Screw, Hex, M8 X 1.25 X 50, 8.8, 2-49  
Screw, Hex, M8 X 1.25 X 50, Ss, 2-59  
Screw, Hex, M8 X 1.25 X 60, 8.8, FI, 2-9  
Screw, Hex, M8 X 1.25 X 60, FI, 2-55  
Screw, Hex, M8 X 1.25 X 70, 8.8, 2-47  
Screw, Hex, M8 X 1.25 X 70, Ss, 2-63  
Screw, Hex, M8 X 1.25 X 90, 8.8, 2-71  
Screw, Hex, W/ Washer [Ku], 6-10  
Screw, Motor, Hyd [En], 4-9, 4-11  
Screw, Pan, #12-16 X 0.50, F/ Plstc, 2-91, 3-69  
Screw, Pan, M4 X 0.7 X 10, Ss, 2-73, 2-77  
Screw, Pan, M4 X 0.7 X 16, 4.8, 2-21  
Screw, Pan, M4 X 0.7 X 16, Ss, 2-21, 3-3  
Screw, Pan, M4 X 0.7 X 25, 4.8, 2-15  
Screw, Pan, M4 X 0.7 X 25, Ss, NI, 2-3  
Screw, Pan, M4 X 0.7 X 35, Ss, 2-3, 2-49  
Screw, Pan, M4 X 0.70 X 16, 4.8, 2-39  
Screw, Pan, M4 X 0.70 X 20, 4.8, 2-7  
Screw, Pan, M5 X 0.8 X 12, Ss, 2-15, 2-21, 2-87, 3-17, 3-23, 3-27, 3-65  
Screw, Pan, M5 X 0.8 X 40, Ss, 2-51, 2-53, 3-17  
Screw, Pan, M5 X 0.80 X 45, 4.8, 3-57, 3-61  
Screw, Pan, M6 X 1.0 X 12, Ss, NI, 2-67  
Screw, Pan, M6 X 1.0 X 16, Ss, 2-63, 3-57, 3-59  
Screw, Pan, M6 X 1.0 X 25, Ss, 2-67  
Screw, Pan, M6 X 1.0 X 35, Ss, 2-3, 2-5  
Screw, Pan, M6 X 1.0 X 40, Ss, 2-3  
Screw, Pan, M8 X 1.25 X 25, Blk, 2-9, 2-13, 2-17  
Screw, Pan, M8 X 1.25 X 25, Ss, 2-65  
Screw, Pan, Phl, 06-20 X 0.50, Fmg/Ab, 2-81, 2-82  
Screw, Pan, Phl, 12-16 X 0.50, F/ Plstc, 2-81, 2-82  
Screw, Pan, Phl, M5 X 0.80 X 12, Ss, 3-31, 3-35, 3-39  
Screw, Pan, Phl, M5 X 0.80 X 20, Ss, 3-41, 3-43, 3-45, 3-46, 3-47  
Screw, Pan, Phl, M6 X 1.00 X 35, Ss, 2-5  
Screw, Pan, 5-10  
Screw, Pump, Injection [Ku], 6-25  
Screw, Rod, Connecting [Ku], 6-17  
Screw, Set [Ku], 6-13, 6-15  
Screw, Set, M6 X 1.00 X 40, Ss [Cuppt], 3-55  
Screw, Set, 5-12, 5-13, 5-15  
Screw, Soc, .25-20 X 0.75, Al, 2-17  
Screw, Soc, .50-13 X 1.50, Al, 2-43  
Screw, Soc, M16 X 2.0 X 50, 12.9, 2-43  
Screw, Soc, M6 X 1.00 X 16, 12.9, 2-23, 2-33, 2-35  
Screw, Soc, M8 X 1.25 X 25, 12.9, 2-75, 2-79  
Screw, Soc, M8 X 1.25 X 35, 12.9, 2-75, 2-79  
Screw, Valve, Steering, 4-19  
Screw, W / Washer, 6-20  
Screw, With Washer, 5-23  
Screw, 4-8, 5-7, 5-23, 5-27  
Seal Kit, Cartridge, 4-13, 4-15, 4-17  
Seal Kit, Motor [CI], 4-9, 4-11  
Seal Kit, Pump, Hyd, 4-7  
Seal Kit, Steering [CI], 4-19  
Seal Replmt Kit, 4-8  
Seal, Afmkt, Bulb, 90, 0.50d, 02ft, 2-15  
Seal, Afmkt, Bulb, 90, 0.75d F/11ga 02ft, 2-15, 2-21  
Seal, Afmkt, Bulb, 90, 0.75d F/11ga 08ft, 2-9  
Seal, Afmkt, Bulb, Str, 1.0d F/11ga 08ft, 2-19  
Seal, Afmkt, Sponge, 0.88 1.00w 08ft, 2-19  
Seal, Bulb, Str, .50Hi .50W 047.2L, Adh, 2-81, 2-82  
Seal, Drive, Rear, Grease Cav, 2-43  
Seal, Foam, 0.50, 2-9  
Seal, Heat [Ku], 6-20  
Seal, Heat, 5-23  
Seal, Mechanical Assy [Ku], 6-8  
Seal, Oil [Ku], 6-27  
Seal, Oil, Front [Ku], 6-7  
Seal, Oil, Rear [Ku], 6-9  
Seal, Oil, 5-7, 5-9, 5-29  
Seal, Org [Ku], 6-4, 6-7, 6-25  
Seal, Org, .069 X 3.06id, 2-111  
Seal, Org, .072 X 00.35id #04, 4-15  
Seal, Org, .078 X 00.47id #06, 4-13, 4-15  
Seal, Org, .078 X 00.47id 06, 4-17  
Seal, Org, .087 X 00.64id #08, 4-15  
Seal, Org, 2-23, 5-10, 6-7, 6-10, 6-19  
Seal, Panl, Instmt, 2-9  
Seal, Plug, Drain [Nitrile], 2-91  
Seal, Radiator, Upper, 2-41  
Seal, Radiator, 2-39  
Seal, Rbr, Clsd, 0.13, Instmt Panl, 2-13  
Seal, Shaft, Drain Plug, 2-91  
Seal, Stem, Valve [Ku], 6-12  
Seal, Valve Stem, 5-12  
Seal, Wiper, 2-65  
Seal, Wire, 14/16ga [Wp / Mp280 Sealed], 4-21  
Seat, Spring Lower, 5-27  
Seat, Spring Upper, 5-27  
Seat, Spring, Lower, Injector [Ku], 6-25  
Seat, Spring, Upper, Injector [Ku], 6-25  
Seat, Suspension, W/1 Arm And Belt, 2-15  
Seat, Valve, 5-7  
Send-Unit, Fuel [2007], 2-27  
Send-Unit, Fuel, 2-27  
Send-Unit, Water, Temp, 04npt 1130h/195d, 2-115  
Sensor, Level, Liq, 14vdc 01a .62-11, 2-82, 2-91, 3-5  
Sensor, Spd / Dir, 6-30vdc, 2-49  
Shaft Wldt, Arm, Lift, 2-63  
Shaft Wldt, Brake, 2-47  
Shaft Wldt, Pedal, Brake, 2-47  
Shaft, Brush, Idler, 2-51, 2-53  
Shaft, Fork Lever, 5-30  
Shaft, Governor [Ku], 6-13  
Shaft, Governor Weight, 5-13

- Shaft, Governor, Weight [Ku], 6-13  
 Shaft, Govnr [Ku], 6-13  
 Shaft, Govnr, 6-13  
 Shaft, Idle Gear 1, 5-15  
 Shaft, Idler, Gear [Ku], 6-15  
 Shaft, Lever, Spd [Ku], 2-27  
 Shaft, Motor, Hyd, 4-5  
 Shaft, Mtg, Sheave, Dsl, 2-33  
 Shaft, Output, Motor, Hyd [En], 4-9  
 Shaft, Output, Motor, Hyd, 4-11  
 Shaft, Output, 4-8  
 Shaft, Pump, Water, 4-3  
 Shaft, Pump, 4-7  
 Shaft, Rocker, Arm [Ku], 6-12  
 Shaft, Stop Lever, 5-29  
 Sheave, 01grv, 02.6pd 0.63b [Hc41], 2-33  
 Sheave, 01grv, 04.1pd 1.6b [XI], 2-33  
 Sheave, 01grv, Rwk 393400 [3v], 2-33  
 Sheave, Cshft [Ku], 6-17  
 Sheave, Fan [Ku], 6-8  
 Shield Kit, Debris, Replmt [T20], 2-65  
 Shield Kit, Side, Replmt [T20], 2-73, 2-77  
 Shield Wldt, Switch, Float, 2-91  
 Shield, Breather, 5-10, 6-10  
 Shield, Heat, Dsl, 2-37  
 Shield, Tray, Debris [Trimmed], 2-65  
 Shim Kit, 4-7  
 Shim, Injection Pump 0.20 mm, 5-25  
 Shim, Injection Pump 0.25 mm, 5-25  
 Shim, Injection Pump 0.30 mm, 5-25  
 Shim, Pump, Injection, 6-23  
 Shim, Tappet, Injection [Ku], 6-25  
 Shim, Washer, 0.88d 0.51b .020, 2-95  
 Shim, Washer, 0.88d 0.51b .060, 2-95  
 Shim, 5-27, 6-23  
 Shock Absorber, 2.3 Strk, 2-49  
 Shoe, Brake, 180 X 30mm, 2-45  
 Shoe, Plstc, Sqge, 14.0, 3-51  
 Shroud Assy, Eng, 2-21  
 Shroud, Front, Trimmed, 2-19  
 Shroud, Seat, 2-15  
 Skirt, Debris, Eng Radiator, 2-39  
 Skirt, Front, Disk Head, 1-1, 2-61  
 Skirt, Neo, .06, 06.85w 27.95l, 08 Hole, 1-1  
 Skirt, Neo, .06, 07.63w 51.52l, 11 Hole, 2-57  
 Skirt, Neo, .06, 12.00w 45.88l, 07 Hole, 1-1, 2-57  
 Skirt, Neo, .18, 10.37w 27.95l, 12 H&S, 1-1  
 Sleeve, 0.31b 0.50d 0.3l, Ss, 2-75, 2-79, 2-91  
 Sleeve, 0.49b 0.68d 1.2l [304ss], 2-65, 2-75, 2-79  
 Sleeve, Cntrl, Pump, Injection [Ku], 6-25  
 Sleeve, Control, 5-27  
 Sleeve, Crankshaft, 5-17  
 Sleeve, Dashpo, Pump, Hyd, Gear, 4-5  
 Sleeve, Flng, 0.48b 1.25/0.88d 0.6l, Stl, 2-65  
 Sleeve, Governor, 5-13  
 Sleeve, Govnr [Ku], 6-13  
 Sleeve, Nyl, #37 05.0l, 2-43  
 Sleeve, P/M, 0.31B 0.44D 1.2L [430Ss], 2-67  
 Sleeve, P/M, 0.31b 0.50d 0.3l [430ss], 2-85, 2-93  
 Sleeve, P/M, 0.31b 0.50d 0.7l [430ss], 2-69, 2-85, 2-93  
 Sleeve, P/M, 0.31b 0.50d 0.9l [430ss], 2-37, 2-51, 2-53, 2-59  
 Sleeve, P/M, 0.34b 0.63d 0.6l, Bnz, 2-71  
 Sleeve, P/M, 0.34b 0.63d 1.2l, Bnz, 2-69  
 Sleeve, P/M, 0.37b 0.50d 0.6l [430ss], 3-9  
 Sleeve, P/M, 0.47b 0.75d 0.5l [430ss], 2-55, 2-61  
 Sleeve, Pump, Water, 4-3  
 Sleeve, Rbr, 3.50b 3.58d 1.8l, 3-5  
 Solenoid, #10, 12vdc, 4-13, 4-15, 4-17  
 Solenoid, #8, 12vdc, 4-13, 4-15, 4-17  
 Solenoid, 12v, Valve, Hyd [Cec], 4-10  
 Spacer [Ku], 6-21  
 Spacer Plate, 4-8  
 Spacer, Fan, Dsl [M20/T20], 2-33, 2-35  
 Spacer, Fan, 2-35  
 Spacer, Hub, Keyed, 2-59, 3-7  
 Spacer, Plstc, Ny, 2-15  
 Spacer, Rlr, 2-65  
 Spacer, Valve, Steering, 4-19  
 Spacer, 2-59, 3-7  
 Spool, Pilot, Hyd, 4-13, 4-15, 4-17  
 Spring Kit, Flat, Replmt [T20], 2-63  
 Spring Kit, Scu [Cl], 4-19  
 Spring, Brush, 5-21, 6-19  
 Spring, Cmpr, 0.97od .11wir 2.5l, 2-65  
 Spring, Cmpr, 0.40od .04wir 00.6l, Ss, 3-55  
 Spring, Cmpr, 0.42od .06wir 1.50l, 2-59  
 Spring, Cmpr, 0.9od .042wir 02.0l, 2-69  
 Spring, Cmpr, 18.8d, 1.6w, 57.1l, 2-17  
 Spring, Cmpr, Plunger [Ku], 6-25  
 Spring, Cmpr, Relief [Ku], 6-7  
 Spring, Cmpr, Rocker [Ku], 6-12  
 Spring, Cmpr, Valve, Injector [Ku], 6-25  
 Spring, Delivery Valve, 5-27  
 Spring, Dsl, 1.00od 0.50id 1.7l, 2-71  
 Spring, Ext [Ku], 6-19  
 Spring, Extn, 0.75od X 0.09wir, 2.5l, 2-75, 2-79  
 Spring, Extn, 0.75od X 0.12wir, 4.3l, 2-49  
 Spring, Extn, 1.69od X 0.20wir, 9.5l, 2-63  
 Spring, Extn, 1.68od X .203wir, 7.5l, 2-55  
 Spring, Flat, .06 X 4.13 X 6.5l 4 Hole, 2-63  
 Spring, Flat, Retainer, Screen, 2-67  
 Spring, Governor [Ku], 6-28  
 Spring, Governor, 5-30  
 Spring, Keeper, 2-71  
 Spring, Motor, Hyd, 4-5  
 Spring, Plunger, 5-27  
 Spring, Return, 5-29  
 Spring, Rocker Arm, 5-12  
 Spring, Start [Ku], 6-28  
 Spring, Start, 5-30  
 Spring, Tors [Ku], 6-27  
 Spring, Tors, 0.75id .06wir 02.8coil, 2-47  
 Spring, Tors, 1.13id .12wir 02.3coil Rh, 2-47  
 Spring, Valve [Ku], 6-12  
 Spring, Valve, 5-12  
 Spring, Wir, 0.08d, Brake, Parking, 2-47  
 Spring, Wir, 0.16d, Brush Retaining [T5], 2-3  
 Spring, Wir, 0.16d, Brush Retaining, 2-3, 2-5  
 Spring, Wir, 0.25d, Return, Brake, 2-45  
 Spring, 4-5, 5-7, 5-21, 6-19  
 Squeegee Assy, Sba, Linatex, 1-1, 3-7  
 Squeegee Assy, Sba, Ure, 1-1, 3-7  
 Squeegee Kit, Rear, Replmt [M20/T20], 2-69  
 Squeegee Wldt, Rear, 2-69  
 Starter, 12vdc [Kubota], 6-19  
 Steer-Control, Hyd#05, 06.1 2030 (See Breakdown), 2-17  
 Steer-Control, Hyd05, 06.1 2030, 4-19  
 Stem, Valve, Hyd [4w2p], 4-17  
 Stem, Valve, Hyd, 4w2p, 4-13, 4-15  
 Stem, Valve, Hyd, 4-13, 4-15, 4-17  
 Stop, Rotation, 2-71  
 Stopper, Cam [Ku], 6-15  
 Stopper, Camshaft, 5-15  
 Stopper, Fuel [Ku], 6-13  
 Stopper, 5-13  
 Strainer Wldt, Trough, Debris 4.3w 15.L, 2-67  
 Strainer, Hyd, 25gpm 100mesh Psi, 2-115  
 Strainer, Hyd, 25 Gpm 100 Mesh, 1-1  
 Strainer, Soltn, 20 Mesh, Cyl 3.5d 9.5l, 3-5  
 Strap, Rbr, 13.2l [2/S Hooks], 3-57, 3-59  
 Strap, Rbr, Tie-Down, 2/Hooks 19.0l, 2-41  
 Strap, Sppt, 2-49  
 Strap, Static, .19 1.1w 25.0l W/ Grommet, 2-65  
 Strap, Static, W/Grommet, .19 1.1w 25.0l (Disk Scrub Head), 2-7  
 Strap, Tank, Gas, 2-27  
 Strip Mtg, Seal, 2-19  
 Strip, Non-Slip, 0.50w 06.0l, 2-69  
 Stud [Ku], 6-7, 6-11, 6-12, 6-23, 6-27  
 Stud, .31-18 2.75l M8 X 1.25, Ss, 2-69  
 Stud, Ball, .39d .31-16, Gasspring, 2-15  
 Stud, 5-7, 5-11, 5-12, 5-25, 5-29, 5-31  
 Support Wldt, Sqge, Lh Rear, 3-67  
 Support Wldt, Sqge, Rh Rear, 3-67  
 Switch Assy, Press, 3.0, 19.5l Tube, 3-5  
 Switch Kit, Pump, Repair,, 4-21  
 Switch, Ignition [Ku], 2-13  
 Switch, Magneto [Ku], 6-19  
 Switch, Press, 10psi, Spst, 3-17  
 Switch, Press, Dpdt 0006psi, 2-23  
 Switch, Rocker, Dpdt On/Off/On, 2-13  
 Switch, Rocker, Dpdt, On / None / On, 3-57, 3-61  
 Switch, Thermostat, Water, 2-23, 2-24

## CROSS REFERENCE

### T

Tank Kit, Soltn, W/ Bracket, Replmt, 2-81  
Tank, Coolant, 04.7 03.3 4.7deep, 1liter, 2-39  
Tank, Detgt, Trimmed, 3-5  
Tank, Fuel, 11.2gal [M20/T20], 2-27  
Tank, Fuel, 11.2gal, Dsl, Replmt [2007], 2-27  
Tank, Fuel, 11.2gal, Dsl, Replmt, Na[08], 2-27  
Tank, Fuel, 11.2gal, Dsl, Replmt, Tj[08] (Japan Only), 2-27  
Tank, Recvy, Trimmed, 2-91  
Tank, Soltn, W/ Es [T20], 2-81  
Tank, Soltn, W/ Label, 2-81  
Tappet [Ku], 6-15  
Tappet, Pump, Injection [Ku], 6-25  
Tappet, 5-15  
Terminal, Bullet, Mal, .157d, 12ga, 3-43, 3-45, 3-46, 3-47  
Terminal, Fem, Mp280, Sealed, 18-16ga, 4-21  
Terminal, Tab, .25 .19h .84l, 2-23  
Thermostat, 180deg, 1.7d [Ku], 5-31, 6-29  
Thrust Bearing, 4-8  
Tie, Cable, 6.0l, 1.25d Max, 3-46, 3-47  
Tie, Cable, 11.3l, 2.75d Max, 3-17  
Tie, Cable, Nyl, 07.3l .19w 1.8 Max D, 2-13, 2-29, 2-39, 2-43, 3-17, 3-46, 3-47  
Tie, Cable, Nyl, 15.3l . W 4.5 Max D, 2-39, 3-17, 3-23, 3-35  
Timer, 12vdc, 10 Sec, 2-29  
Tire Assy, Solid, 16.0x3.5, W/ Brg [Nil], 2-45  
Tire Assy, Solid, 18.0X6.0 4.5BC/5Bolt, 2-43  
Tire Assy, Solid, 18.0x6.0 4.5bc/5bolt, 1-1  
Tire, Non-Skid, 18.0X6.0X12.10, 2-43  
Tire, Solid, 16.0 X 3.5 X 12.1 [Nitrile], 2-45  
Transport Kit, Ci [T20], 3-65  
Tray Kit, Debris, Replmt [T20], 2-67  
Tray Wldt, Drip, Dsl, 2-29  
Tray Wldt, Drip, Fuel, 2-29  
Tray Wldt, Fuel, 2-27  
Tray, Debris, Trimmed, 2-67  
Tray, 3-57, 3-59  
Tread, Non-Skid, 01.9w 08.0l, 2-7  
Tread, Non-Skid, 02.2w 11.5l, 3-11  
Tread, Non-Skid, 03.0w 11.6l, 2-7, 2-9, 2-48  
Tube Assy, Plug, Drain, 2-91  
Tube Kit, Tank, Recvy, Replmt, 2-93  
Tube Kit, Tank, Soltn, Replmt, 2-85  
Tube Wldt, Exhaust, 1.5d, 4 Hole Flng, 2-37  
Tube Wldt, Leg, Ohg, Lh, Pntd, 3-49  
Tube Wldt, Leg, Ohg, Rh, Pntd, 3-49  
Tube Wldt, Plug, Drain, 2-91  
Tube Wldt, Torque, 2-55, 2-61  
Tube Wldt, Vacuum, 2-67  
Tube, 0.38id 0.75od 00.3l, Ss, 2-35  
Tube, 0.50d 0.32b 00.4l, Ss, 2-85, 2-93

Tube, 00.38d 00.26b 00.3l Stl Plt, 2-49  
Tube, 00.50d 00.38b 00.6l Stl, 2-49  
Tube, Breather, 5-10, 6-10  
Tube, Distribution, Water, 2-87  
Tube, Drain, Starter, 6-19  
Tube, Exhaust, 1.5d, 2-37  
Tube, Exhaust, Dsl, 2-37  
Tube, Hyd, 08 Jf08/Jf08, 3-13  
Tube, Hyd, 08 Jf08/Jm08, 2-51  
Tube, Hyd, Brush Return, 2-53  
Tube, Hyd, Main Return [M20], 2-113  
Tube, Hyd, Sqge, 2-113  
Tube, Injector, Pipe #1 [Ku], 6-20  
Tube, Injector, Pipe #2 [Ku], 6-20  
Tube, Injector, Pipe #32 [Ku], 6-20  
Tube, Pin [Ku], 6-3  
Tube, Pvc, Clr, 4.0l [Shc80], 3-21, 3-23, 3-25, 3-27  
Tube, Radiator, Lower, Dsl, 2-39  
Tube, Rnd, 1.75d 0.77b 01.1l, Stl, Pntd, 2-43  
Tube, Rnd, 3.00d 2.90b 02.0l, Ss, 2-85, 2-93  
Tube, Seat, Valve, Oil [Ku], 6-7  
Tube, Vacuum, 2-7  
Tube, Vinyl, Pump, Water, 4-3  
Tube, Wand, Vacuum, Metal [1pick=1box], 3-51  
Tubing Connctr.Kit, Gorman Pmp, 4-20

### U

Upper Hsg Kit, Pump, Repair,, 4-21

### V

Valve Assy, Relief [Cl], 4-19  
Valve Assy, Water, Solenoid , 12vdc, 2-87, 2-89  
Valve Assy, Water, Solenoid, 12vdc, 3-11  
Valve Kit, Poppet, Gorman Rupp, 4-20  
Valve Stem, N.O.Valve, Hyd, 4-10  
Valve, Breather, Complt, 5-10, 6-10  
Valve, Check, 0002psi [Fast li+], 4-22  
Valve, Check, 0002psi Bm04/Bm04, 3-19  
Valve, Check, 0005psi [Fast li+], 4-22  
Valve, Check, 0005psi Bm06/Bm08, 3-31  
Valve, Check, Pump, Water, 4-3  
Valve, Check, 4-13, 4-15, 4-17  
Valve, Cntrl, Hyd (See Breakdowns), 2-117  
Valve, Cntrl, Hyd [M20 And T20] (See Breakdown), 3-13  
Valve, Cntrl, Hyd [M20 And T20], 4-13  
Valve, Cntrl, Hyd, Solenoid, 03/16gpm, 4-17  
Valve, Cntrl, Hyd, 4-15  
Valve, Cntrl, Water, 3-55  
Valve, Delivery, 5-27  
Valve, Eng [Delivery, Ku], 6-25  
Valve, Exhaust [Ku], 6-12  
Valve, Exhaust, 5-12

Valve, Hyd Cartridge 10no/-0, 4-10  
Valve, Hyd, Check, Jm08/Om08 5000psi, 3-13  
Valve, Hyd, Solenoid 12vdc 3000psi (See Breakdown), 3-13  
Valve, Inlet, 5-12  
Valve, Intake [Ku], 6-12  
Valve, Motor, Hyd, 4-5  
Valve, Relief, 3000 Psi, 4-7  
Valve, Relief, 4000 Psi, 4-7  
Valve, Relief, 4-13, 4-15, 4-17  
Valve, Shutoff, 3-61, 3-63  
Valve, Solenoid, 12vdc, Water Flow, 3-23, 3-35  
Valve, Solenoid, Water Flow, 12vdc, 3-27  
Valve, Stem, No, 4-13, 4-15, 4-17  
Valve, Water, 12vdc, 6.0mm, 04pf, 3-17  
Valve, Water, Solenoid, 12vdc 0.08pf, 3-3  
Valve, Water, Solenoid, 12vdc 6.0mm Pf04, 3-31  
Valve, Water, Solenoid, 12vdc Bm10/Bm10, 3-39  
Video, Oprtr, Dvd [W/Checklist T20], 3-70  
Vr, Filter, Screen, 50 Mesh .59d .8l Ss, 3-17

### W

Wand Assy, Power, 3-55  
Wand Kit, Vac, Sqge, Ci [T20], 3-51  
Wand, Dbl Bend, 38.1mmd, 3-55  
Washer 1, 5-12  
Washer 2, 5-12  
Washer, Adjusting [Ku], 6-21  
Washer, Belleville, .31, 2-49  
Washer, Collar, Gear [Ku], 6-15  
Washer, Flat [Ku], 6-12, 6-27  
Washer, Flat, .78b 1.75d .18, Ss, 2-91  
Washer, Flat, #06, 2-39, 3-51, 3-57, 3-59  
Washer, Flat, #08, Ss, 2-3  
Washer, Flat, #08, 2-15  
Washer, Flat, #10 Ss, 2-49  
Washer, Flat, #10, Ss, 3-3, 3-17, 3-23, 3-27, 3-61, 3-63  
Washer, Flat, #10, 2-15, 2-21, 2-33, 2-41, 3-57, 3-61  
Washer, Flat, 0.25 Fendr, 2-15, 2-21  
Washer, Flat, 0.25 Sae, 2-15, 2-17  
Washer, Flat, 0.25 Std, 2-41, 2-47, 2-49, 3-17, 3-19  
Washer, Flat, 0.25, Sae, 2-27, 2-31, 2-33, 2-35, 2-37, 2-49  
Washer, Flat, 0.25, Ss, 2-5, 2-57, 2-59, 2-61, 2-65, 2-67, 2-87, 2-89, 2-91, 3-3, 3-65  
Washer, Flat, 0.25, Std, 2-9, 2-29, 2-33, 2-39  
Washer, Flat, 0.27B 0.69D .05, Ss, 3-31  
Washer, Flat, 0.27b 0.69d .05, Ss, 2-5, 2-82  
Washer, Flat, 0.31 Sae, 2-9, 2-43, 2-49, 2-75, 2-79  
Washer, Flat, 0.31 Std, 2-49, 2-115

Washer, Flat, 0.31, Sae, 2-67, 2-85, 2-93  
 Washer, Flat, 0.31, Ss, 2-31, 2-37, 2-39,  
 2-57, 2-59, 2-63, 2-65, 2-69, 2-71,  
 2-75, 2-79, 3-3, 3-7, 3-9  
 Washer, Flat, 0.31, Std, 2-7, 2-9, 2-15,  
 2-17, 2-19, 2-21, 2-24, 2-27, 2-29,  
 2-33, 2-35, 2-37, 2-39, 2-43, 2-47,  
 2-51, 2-53, 2-55, 2-61, 2-63, 2-81,  
 2-85, 2-89, 2-91, 2-93, 2-113, 3-9,  
 3-11, 3-13, 3-49, 3-57, 3-61, 3-65  
 Washer, Flat, 0.32b 1.00d .12, Ss, 2-9,  
 2-15, 2-21, 2-65, 2-67, 2-81, 2-85,  
 2-91, 2-93, 2-95, 2-117, 3-5, 3-19,  
 3-31, 3-41, 3-43, 3-45, 3-61, 3-63  
 Washer, Flat, 0.34b 0.75d .12 [Viton], 3-17  
 Washer, Flat, 0.38 Sae, 2-49, 2-55, 2-71,  
 2-111  
 Washer, Flat, 0.38 Std, 2-15, 2-49, 2-71,  
 3-7, 3-49  
 Washer, Flat, 0.38, Sae, 2-23, 2-31, 2-33  
 Washer, Flat, 0.38, Std (Disk Scrub Head),  
 2-7  
 Washer, Flat, 0.38, Std, 2-33, 2-35, 2-59,  
 2-81, 3-57, 3-59, 3-67, 3-68  
 Washer, Flat, 0.38b 0.88d .08, Ss, 2-71  
 Washer, Flat, 0.38b 1.25d .12, Neo, 2-67  
 Washer, Flat, 0.40b 1.12d .12, Ss, 2-39,  
 2-95, 3-49  
 Washer, Flat, 0.41b 1.25d .12, Pye, 2-15  
 Washer, Flat, 0.44b 1.00d .08, Ss, 2-7,  
 2-65, 2-67, 3-11, 3-67  
 Washer, Flat, 0.50 Sae, 2-17, 2-45, 3-9  
 Washer, Flat, 0.50, Sae, 2-39  
 Washer, Flat, 0.50, Std (Disk Scrub Head),  
 2-7  
 Washer, Flat, 0.50, Std, 2-7, 2-23, 2-24,  
 2-65  
 Washer, Flat, 0.53b 1.88d .12, Stl, Pl, 2-9,  
 2-23, 2-69  
 Washer, Flat, 0.56b 1.38d .11, Ss, 2-55,  
 2-61, 2-63, 2-75, 2-79  
 Washer, Flat, 0.62 Sae, 2-19  
 Washer, Flat, 0.66b 1.00d .12, Rbr, 3-3,  
 3-61, 3-63  
 Washer, Flat, 0.69b 1.19d .06, Stl, Pl, 2-71  
 Washer, Flat, 0.75 Sae, 2-43  
 Washer, Flat, 0.76b 1.50d .06, Ss, 2-45  
 Washer, Flat, 0.79b 1.18d .06, Nyl, 2-85,  
 2-93  
 Washer, Flat, 0.81b 1.06d .06, Stl, 2-39  
 Washer, Flat, 1.10b 1.50d .12, Stl, Pl, 2-35  
 Washer, Flat, 1.15b 1.75d .08, Stl, 2-13  
 Washer, Flat, 1.39b 2.12d .13, Stl, 2-43  
 Washer, Flat, 10, Ss, 2-35, 3-31, 3-35,  
 3-39  
 Washer, Flat, 10, 2-35, 3-41, 3-43, 3-45,  
 3-46, 3-47  
 Washer, Flat, 2.16b 3.50d .16, Felt, 2-43  
 Washer, Flat, Belleville, .25, 2-65, 2-75,  
 2-79  
 Washer, Flat, Belleville, .31, 2-35, 2-85,  
 2-93, 2-95, 3-9  
 Washer, Flat, Belleville, .38, 2-75, 2-79  
 Washer, Flat, Belleville, .50, 2-65, 2-75,  
 2-79  
 Washer, Flat, M21.0b X 37d X 3, 2-45  
 Washer, Flat, Pump, Hyd, 4-7  
 Washer, Lock, Int, #10, Ss, 3-17  
 Washer, Lock, Int, 0.38, 2-33, 2-35  
 Washer, Lock, Int-Ext, 0.31 (Disk Scrub  
 Head), 2-7  
 Washer, Lock, Int-Ext, 0.31, 2-65  
 Washer, Lock, Split [Ku], 5-31, 6-7, 6-23,  
 6-27  
 Washer, Plain [Ku], 6-18, 6-21  
 Washer, Plain, 5-12, 5-29, 5-30  
 Washer, Pump, Hyd [En], 4-7  
 Washer, Rbr, 4-3  
 Washer, Sealing, 0.28b 0.75d Ss, Neo,  
 2-91  
 Washer, Shaft, Rocker [Ku], 6-12  
 Washer, Shld, Nyl [8-32], 2-13  
 Washer, Spring, 5-7, 5-25, 5-29  
 Washer, Thrust [Ku], 6-13  
 Washer, Thrust, 0.34b 1.50d .06, 2-85,  
 2-93  
 Washer, Thrust, 0.61b 1.25d .06, Fgl,  
 2-71, 2-73, 2-75, 2-77, 2-79, 3-7  
 Washer, Thrust, 1.00b 1.75d 0.13w, Fbr,  
 3-9  
 Washer, Thrust, 5-13  
 Washer, Flat 0.25, Ss, 2-3, 3-57, 3-59  
 Weight, Comp, Govnr [Ku], 6-13  
 Wheel, 06.0d 2.00w 1.19b, Gray Rbr, 2-7,  
 3-11  
 Wheel, 3.0d 0.87w 0.44b, Rbr, Pp Core,  
 2-67  
 Wheel, 3.0d 1.38w 0.50b, 1-1, 2-71  
 Wheel, 4.0d 0.89w 0.64b, 2-69  
 Wheel, 41.3d 19.1w, Rbr, 3-55  
 Wheel, Steering, 14.3d 0.81b 36tooth,  
 2-17  
 Wire, Ground, 2-35

## Y

Yoke, 6-19





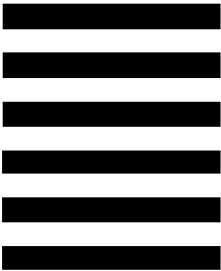




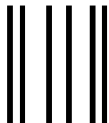
**TENNANT COMPANY**  
 Technical Publications #15  
 701 North Lilac Drive  
 P.O. Box 1452  
 Minneapolis, MN 55440-9947

POSTAGE WILL BE PAID BY ADDRESSEE

**BUSINESS REPLY MAIL**  
 FIRST CLASS MAIL PERMIT NO. 94 MINNEAPOLIS, MN



NO POSTAGE  
 NECESSARY  
 IF MAILED  
 IN THE  
 UNITED STATES



Fold along dotted lines

Tape here



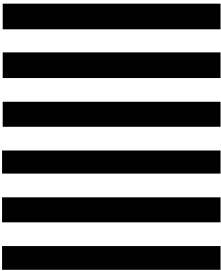




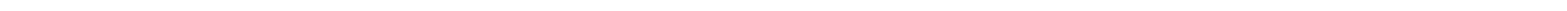
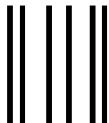
**TENNANT COMPANY**  
 Technical Publications #15  
 701 North Lilac Drive  
 P.O. Box 1452  
 Minneapolis, MN 55440-9947

POSTAGE WILL BE PAID BY ADDRESSEE

**BUSINESS REPLY MAIL**  
 FIRST CLASS MAIL PERMIT NO. 94 MINNEAPOLIS, MN



NO POSTAGE  
 NECESSARY  
 IF MAILED  
 IN THE  
 UNITED STATES



Fold along dotted lines

Tape here

